



US00D450821B1

(12) **United States Design Patent**
Mills

(10) **Patent No.:**

US D450,821 S

(45) **Date of Patent:**

**** Nov. 20, 2001**

(54) **FIREPLACE INSERT**

(75) Inventor: **Bob Mills**, Saanichton (CA)

(73) Assignee: **Osburn Manufacturing, Inc.**,
Saanichton (CA)

(**) Term: **14 Years**

(21) Appl. No.: **29/120,738**

(22) Filed: **Mar. 23, 2000**

(51) **LOC (7) Cl.** **23-03**

(52) **U.S. Cl.** **D23/344; D23/350**

(58) **Field of Search** D23/343-345,
D23/350, 404; 126/500, 520, 523, 527,
536, 555, 544, 25 R, 58, 8

(56) **References Cited**

U.S. PATENT DOCUMENTS

- D. 259,275 * 5/1981 Berryhill .
- D. 266,866 * 11/1982 Penland .
- D. 299,952 * 2/1989 Mowray .

- D. 410,537 * 6/1999 Brunner .
- 5,263,470 * 11/1993 Whitehouse .
- 5,782,231 * 7/1998 Wade .

* cited by examiner

Primary Examiner—B. J. Bullock

(74) *Attorney, Agent, or Firm*—Michael A. Glenn

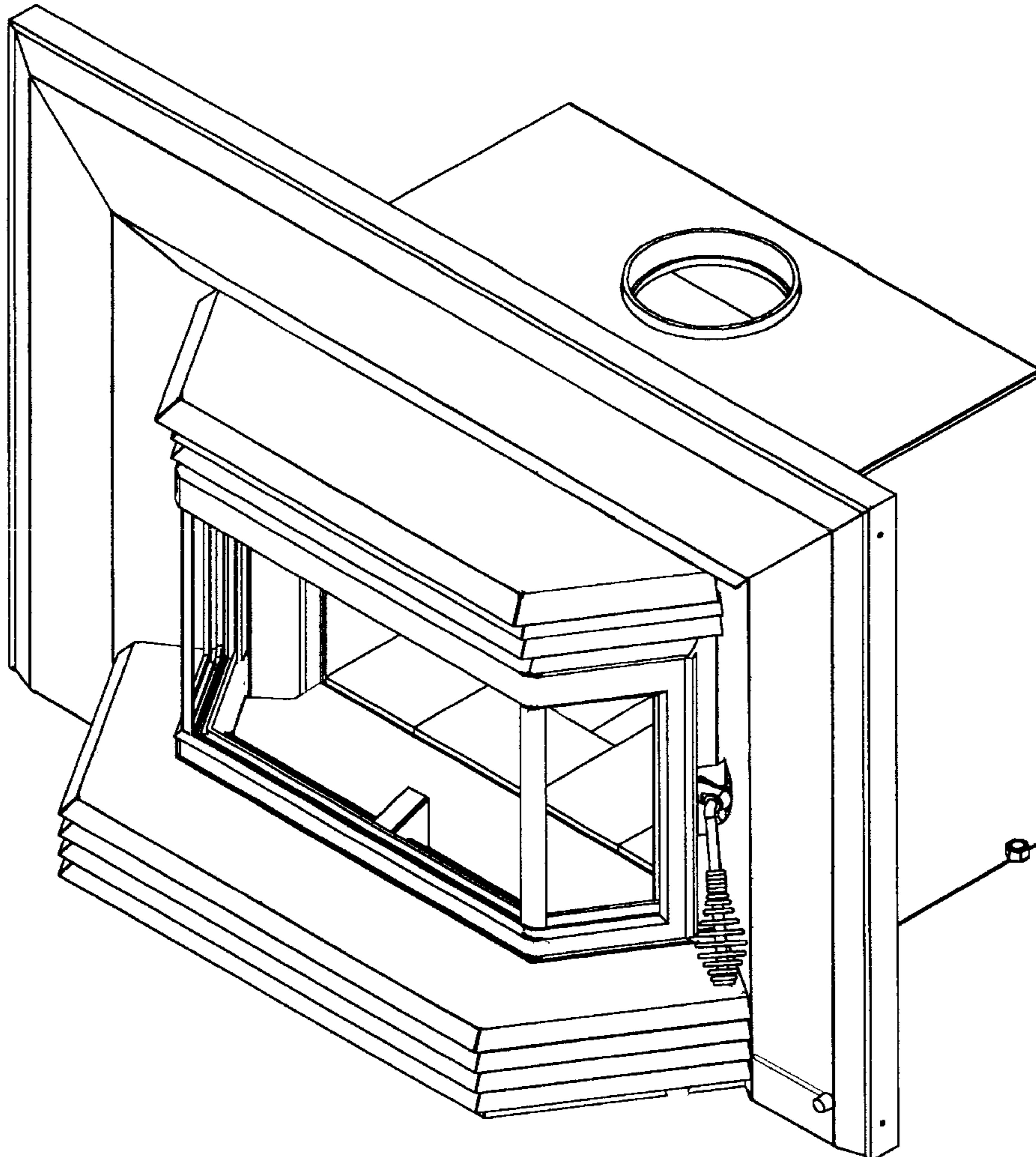
(57) **CLAIM**

The ornamental design for a fireplace insert, as shown and described.

DESCRIPTION

FIG. 1 is a right front perspective view;
 FIG. 2 is a left front perspective view thereof;
 FIG. 3 is a front view thereof;
 FIG. 4 is a rear view thereof;
 FIG. 5 is a rear perspective view thereof;
 FIG. 6 is a bottom view thereof;
 FIG. 7 is a side view thereof; and,
 FIG. 8 is a top view thereof.

1 Claim, 8 Drawing Sheets



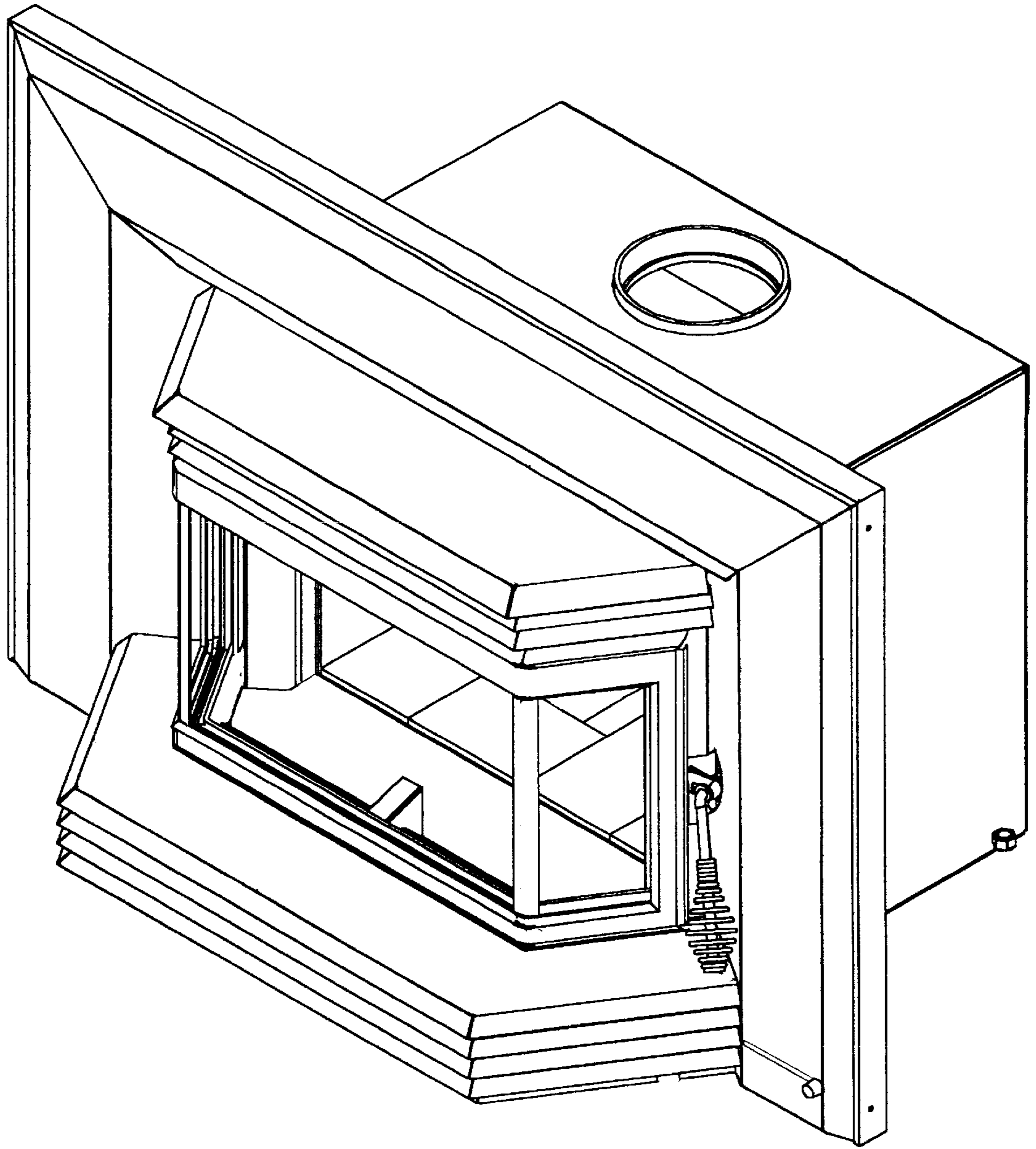


Fig. 1

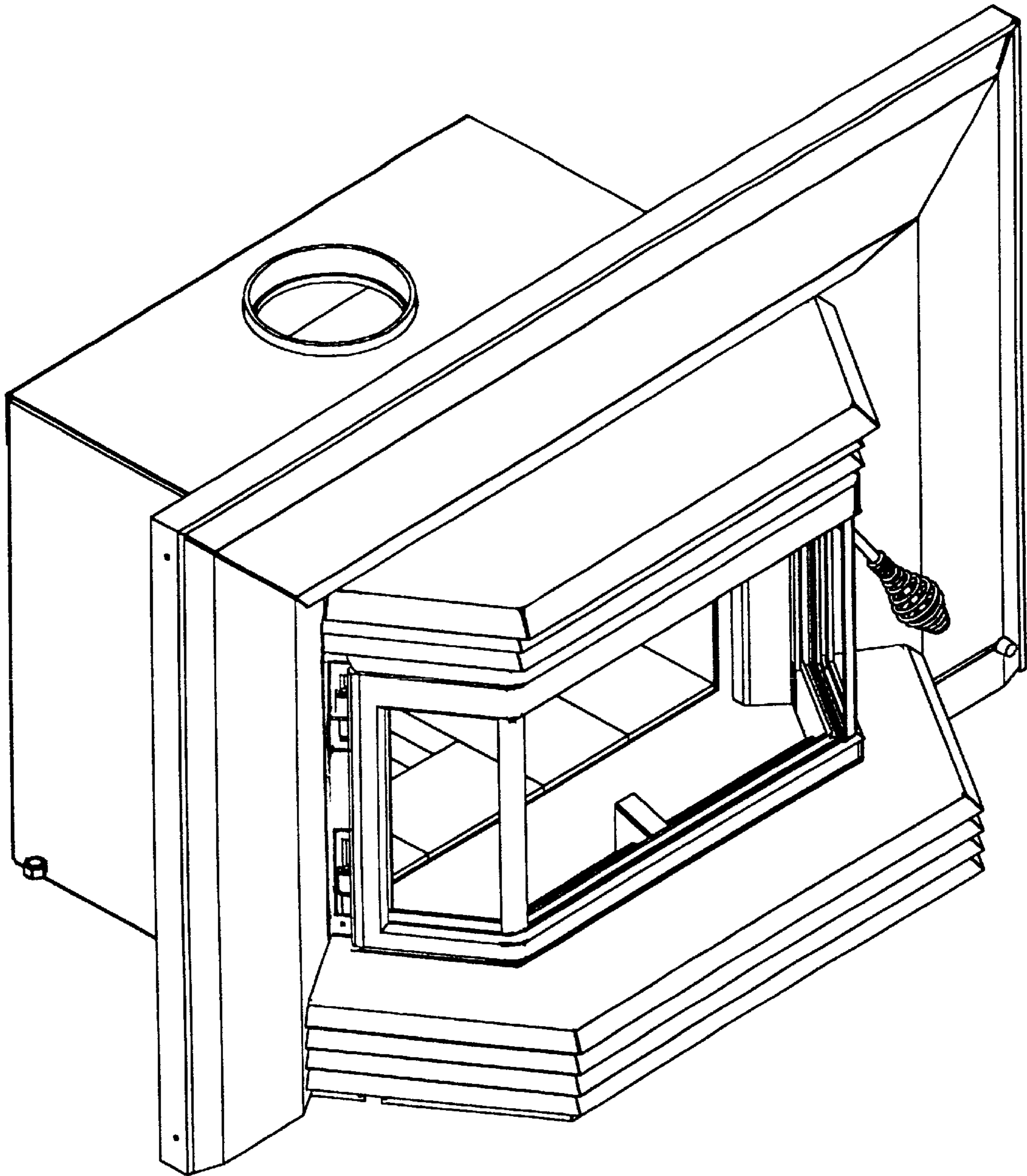


Fig. 2

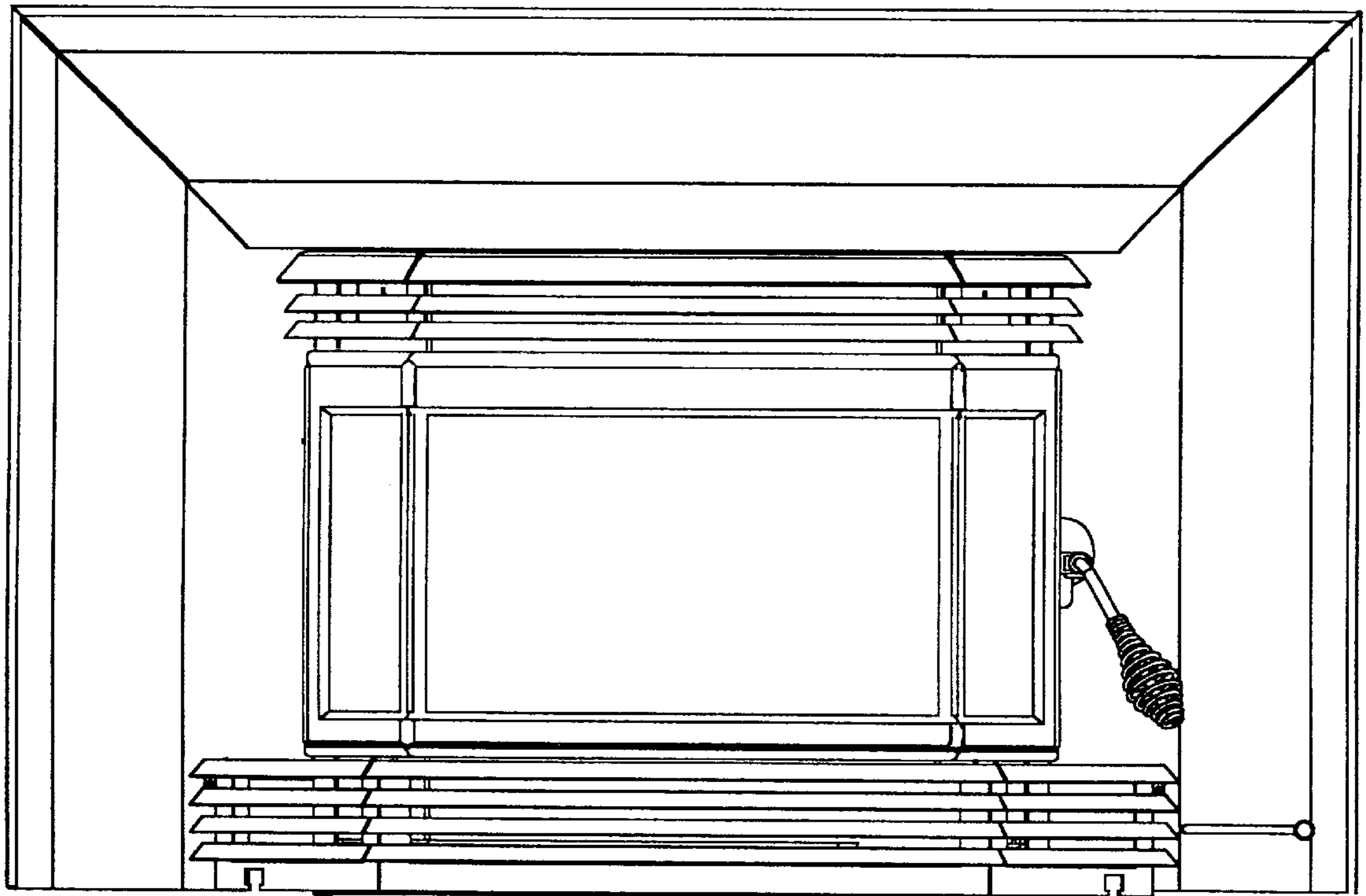


Fig. 3

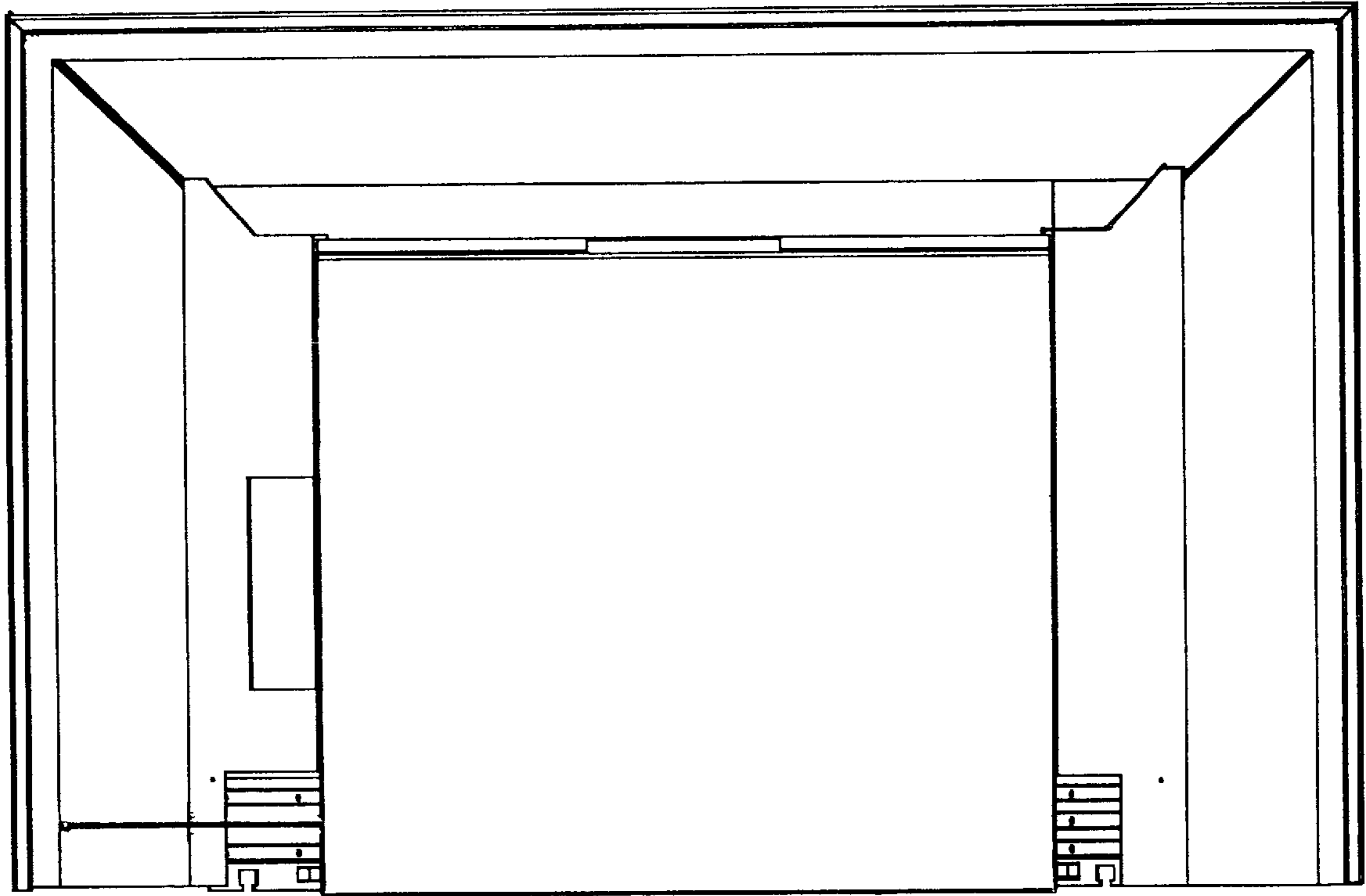


Fig. 4

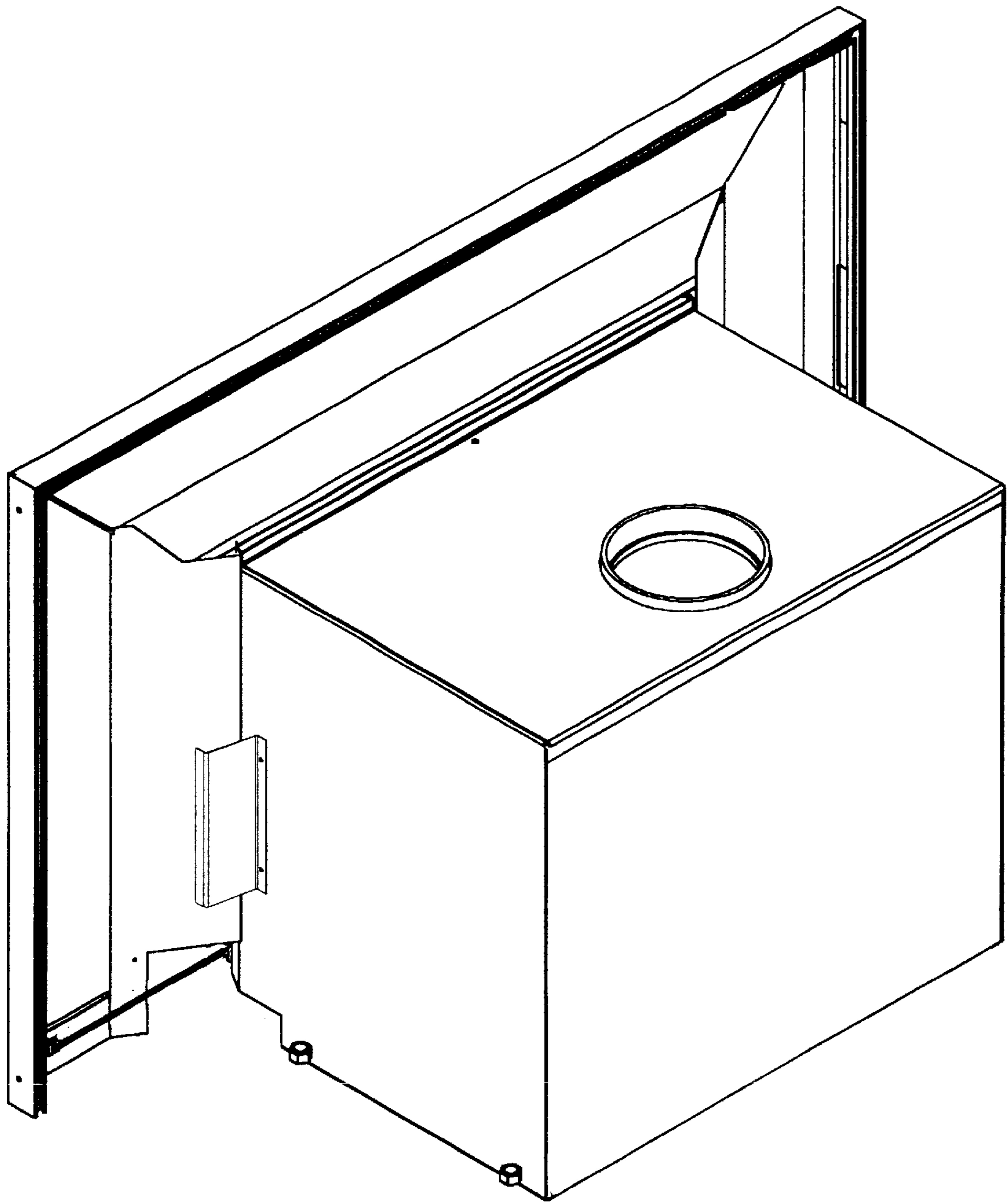


Fig. 5

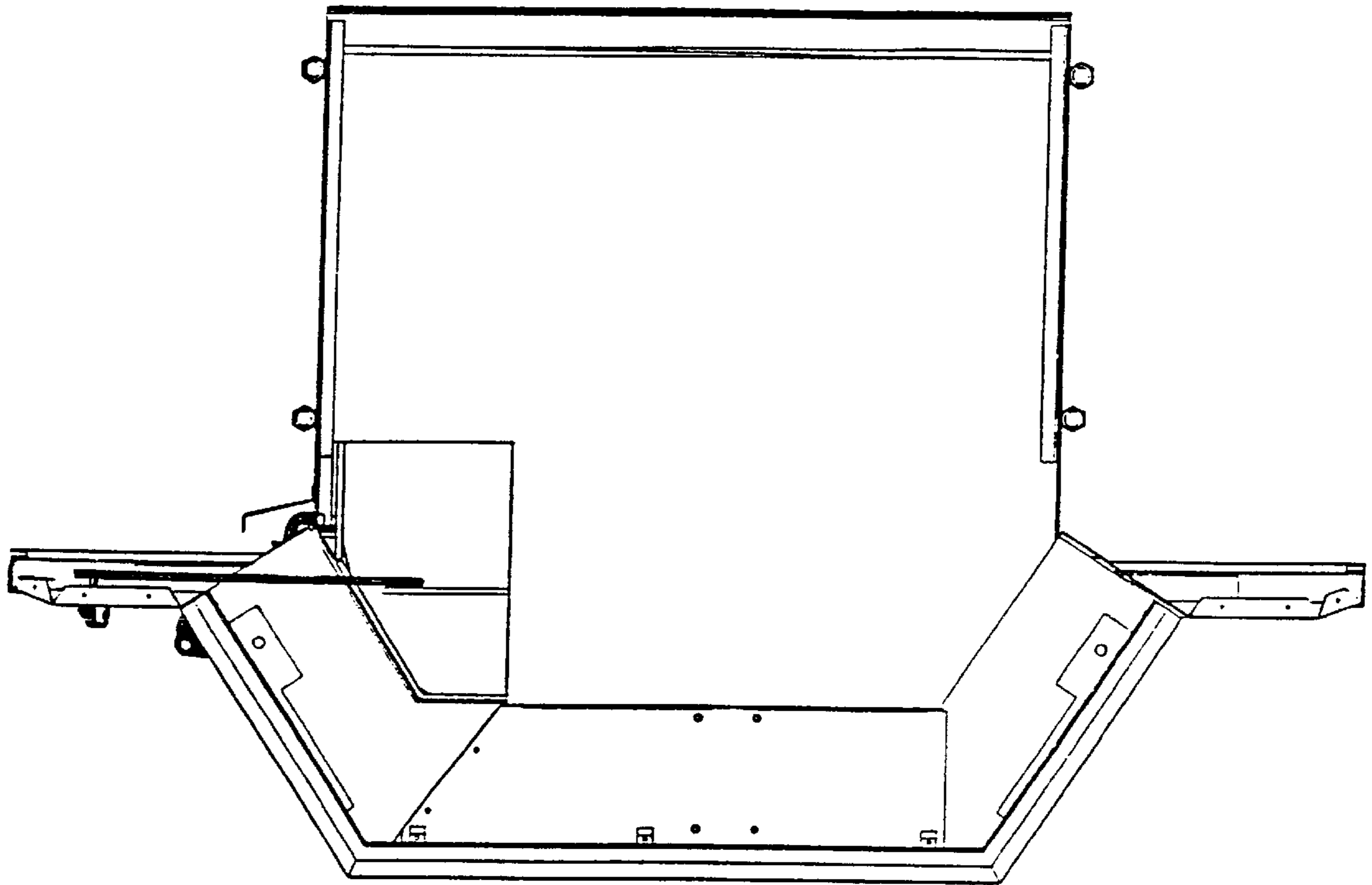


Fig. 6

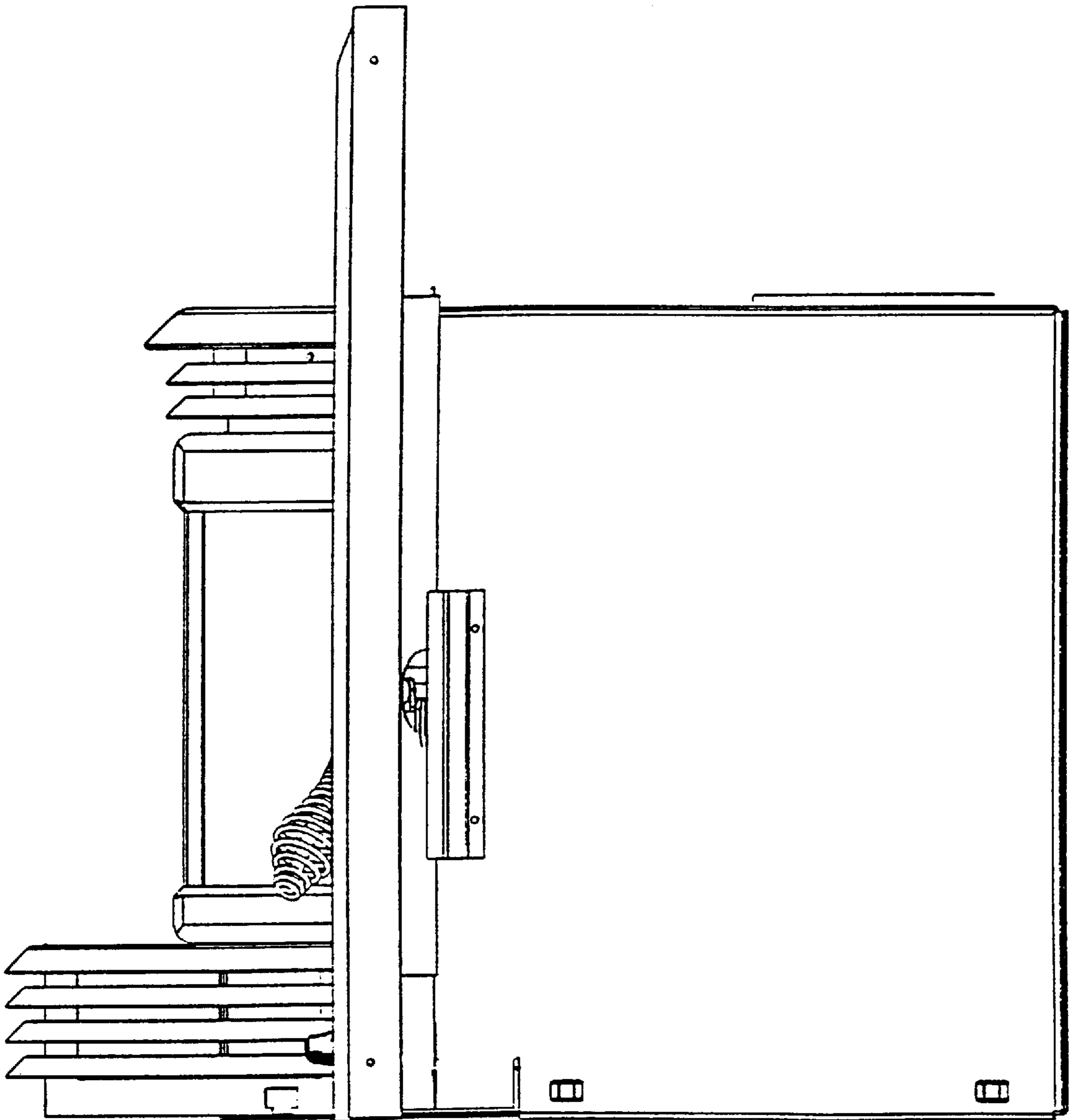


Fig. 7

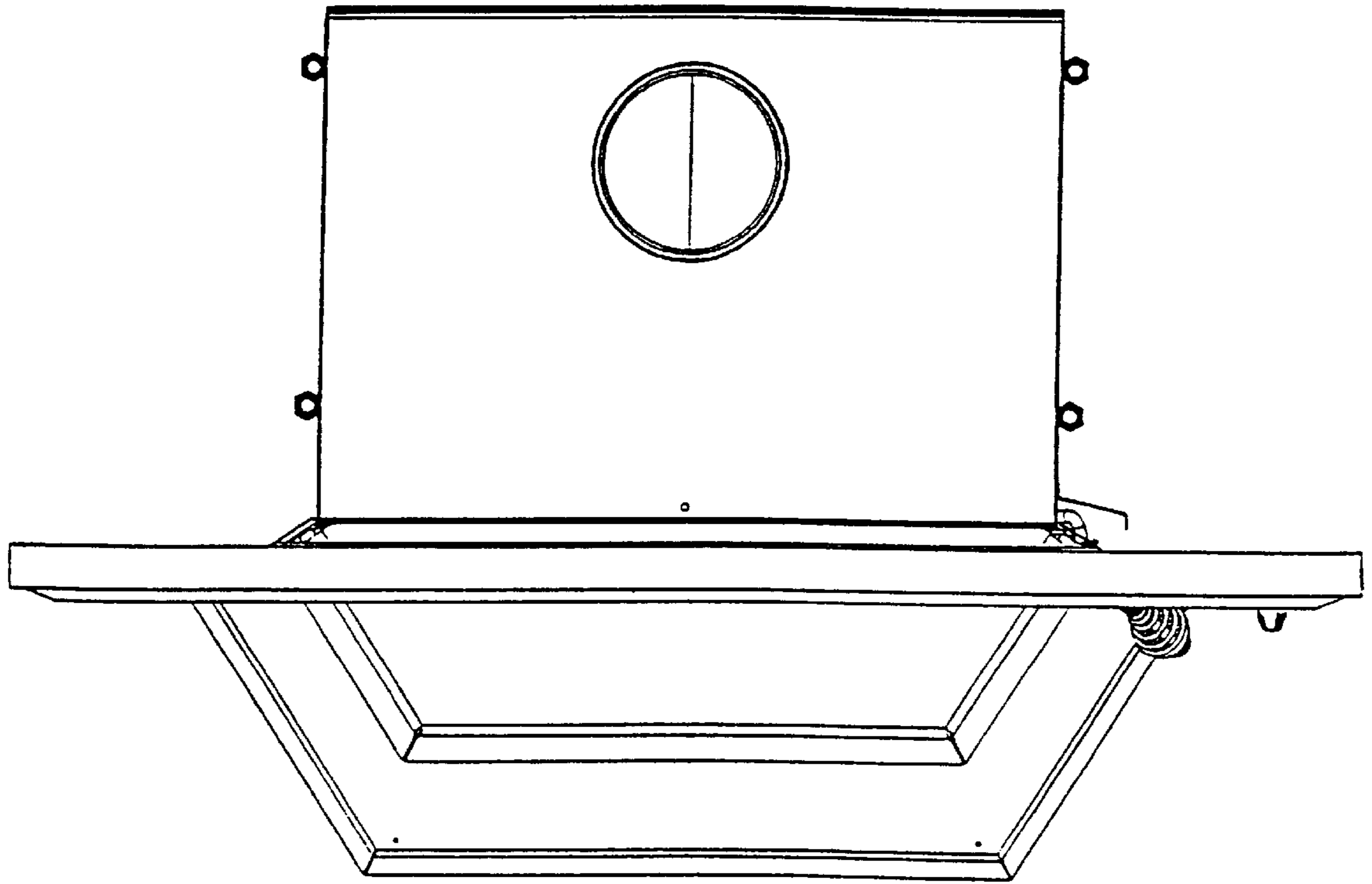


Fig. 8