



US00D450820B1

(12) **United States Design Patent**
Breshears et al.

(10) **Patent No.:**

US D450,820 S

(45) **Date of Patent:**

**** Nov. 20, 2001**

(54) **HEATER**

(75) Inventors: **John C. Breshears**, La Crosse; **Larry R. Romeiser**, Bison, both of KS (US)

(73) Assignee: **Flame Engineering, Inc.**, LaCrosse, KS (US)

(**) Term: **14 Years**

(21) Appl. No.: **29/137,682**

(22) Filed: **Feb. 26, 2001**

(51) **LOC (7) Cl.** **23-03**

(52) **U.S. Cl.** **D23/342**

(58) **Field of Search** D26/314, 342,
D26/334, 317; 126/58, 64, 65, 85 R

(56) **References Cited**

U.S. PATENT DOCUMENTS

- D. 240,628 * 7/1976 Kapustin .
- D. 270,087 * 8/1983 Yarwood .
- D. 302,462 * 7/1989 Pivonka .
- 1,454,556 * 5/1923 Nietz .

- 1,458,668 * 6/1923 Taylor .
- 3,623,458 * 11/1971 Block .
- 4,350,139 * 9/1982 Robichaud .
- 5,359,945 * 11/1994 Buckner et al. .
- 5,553,604 * 9/1996 Frei .

* cited by examiner

Primary Examiner—B. J. Bullock

(74) *Attorney, Agent, or Firm*—Henderson & Sturm LLP

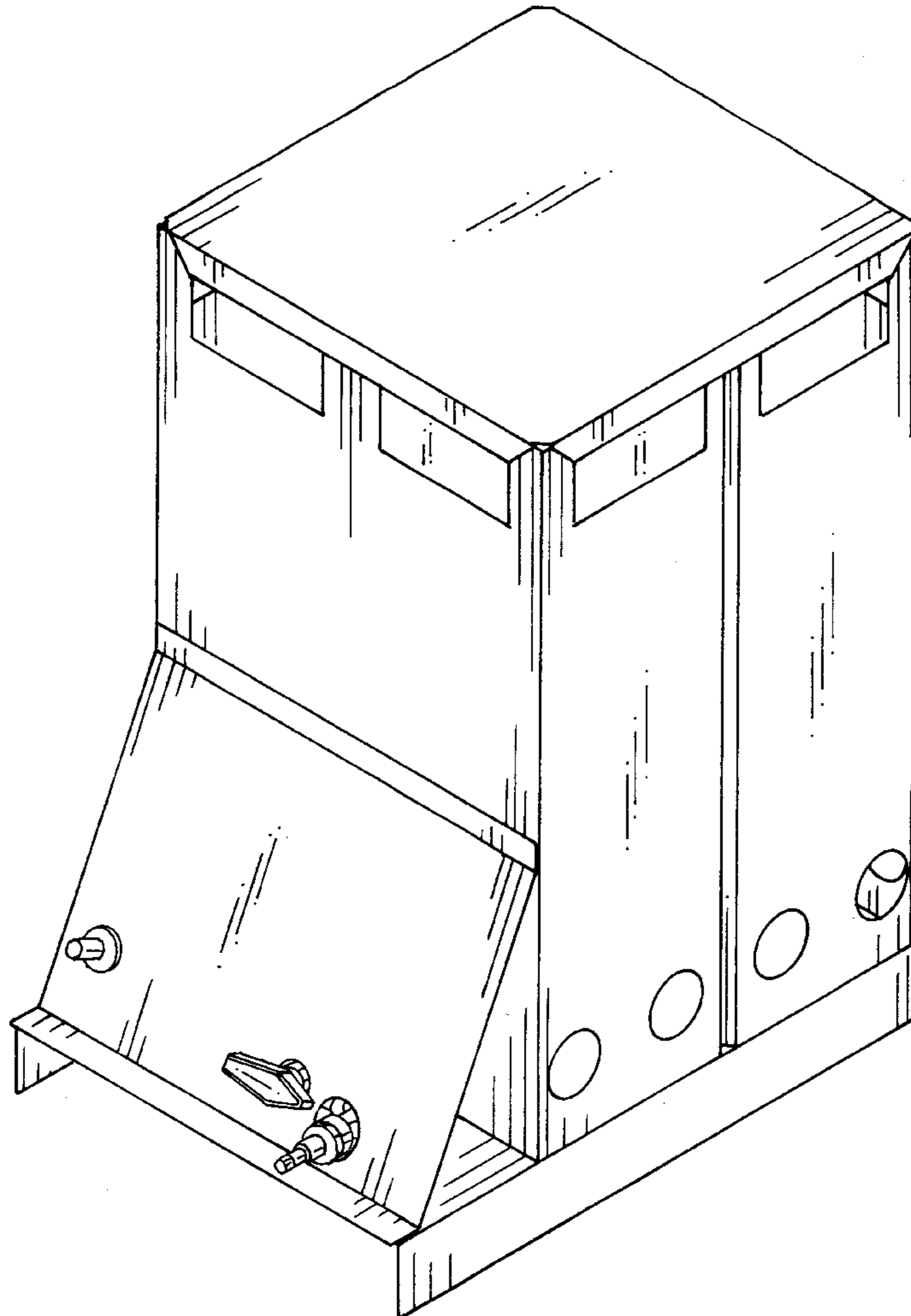
(57) **CLAIM**

The ornamental design for a heater, as shown and described.

DESCRIPTION

FIG. 1 is a perspective view of the heater showing our new design;
 FIG. 2 is a front elevational view thereof;
 FIG. 3 is a left-side elevational view thereof;
 FIG. 4 is a right-side elevational view thereof;
 FIG. 5 is a rear elevational view thereof;
 FIG. 6 is a top plan view thereof; and,
 FIG. 7 is a bottom plan view thereof.

1 Claim, 6 Drawing Sheets



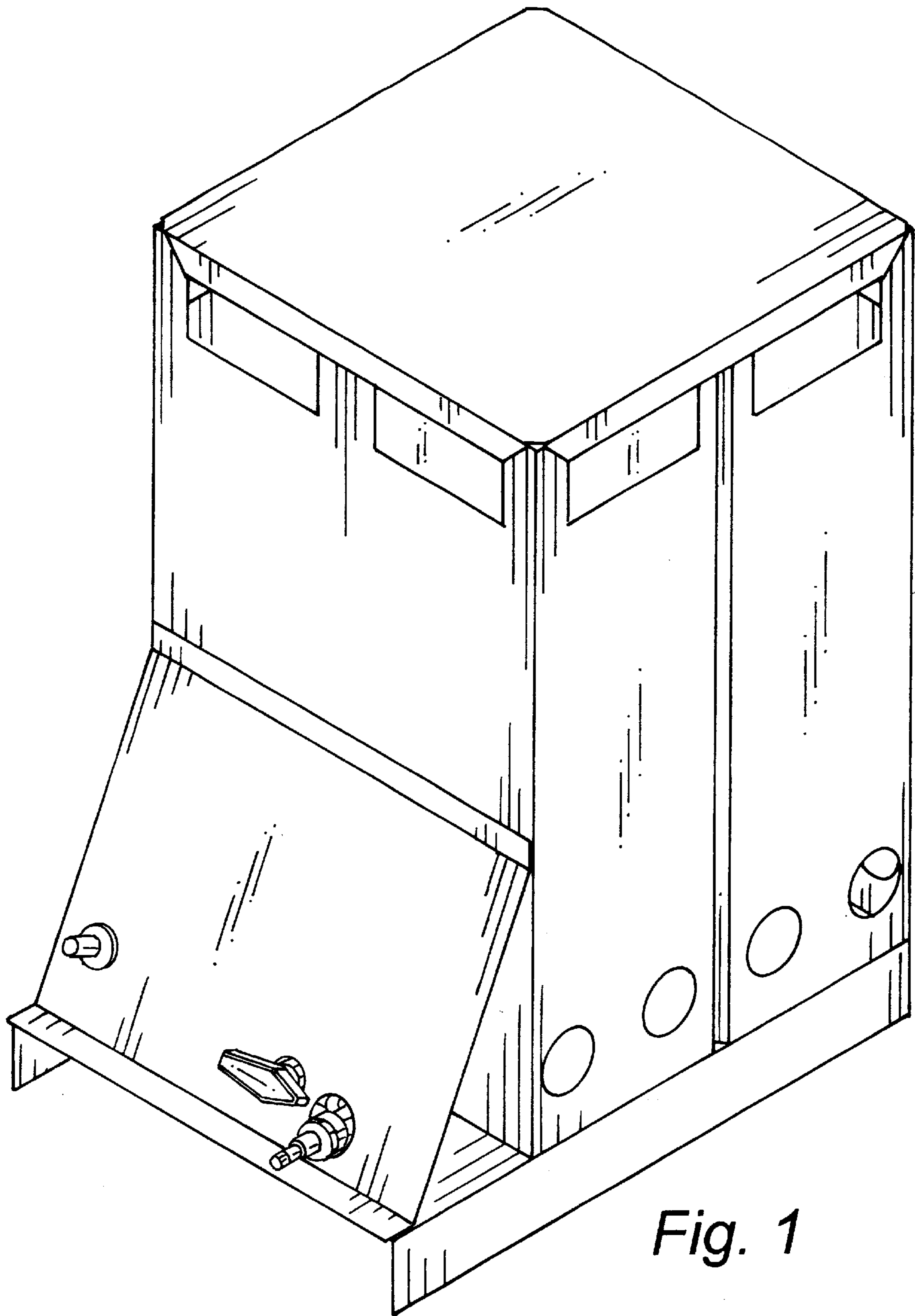


Fig. 1

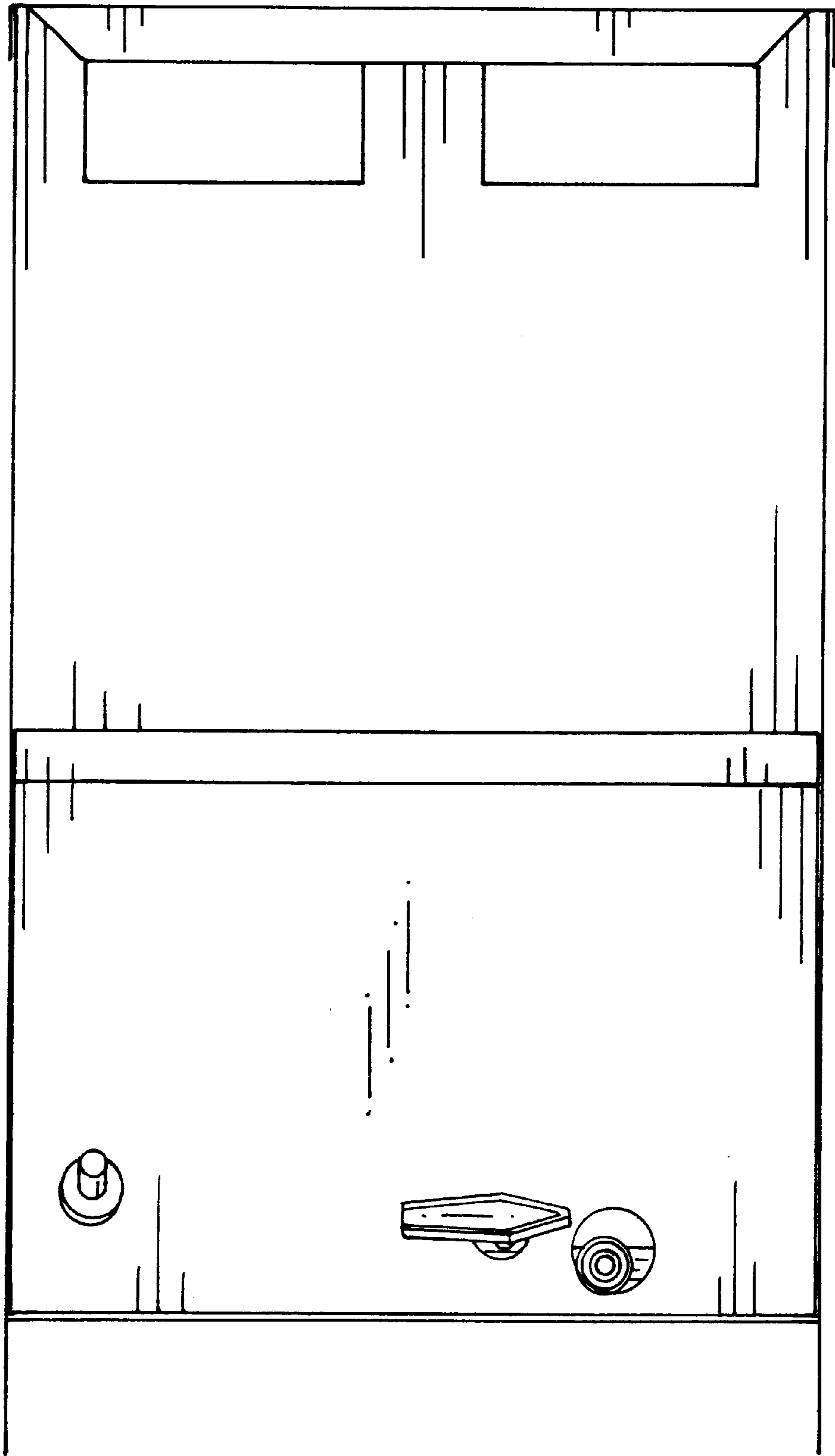


Fig. 2

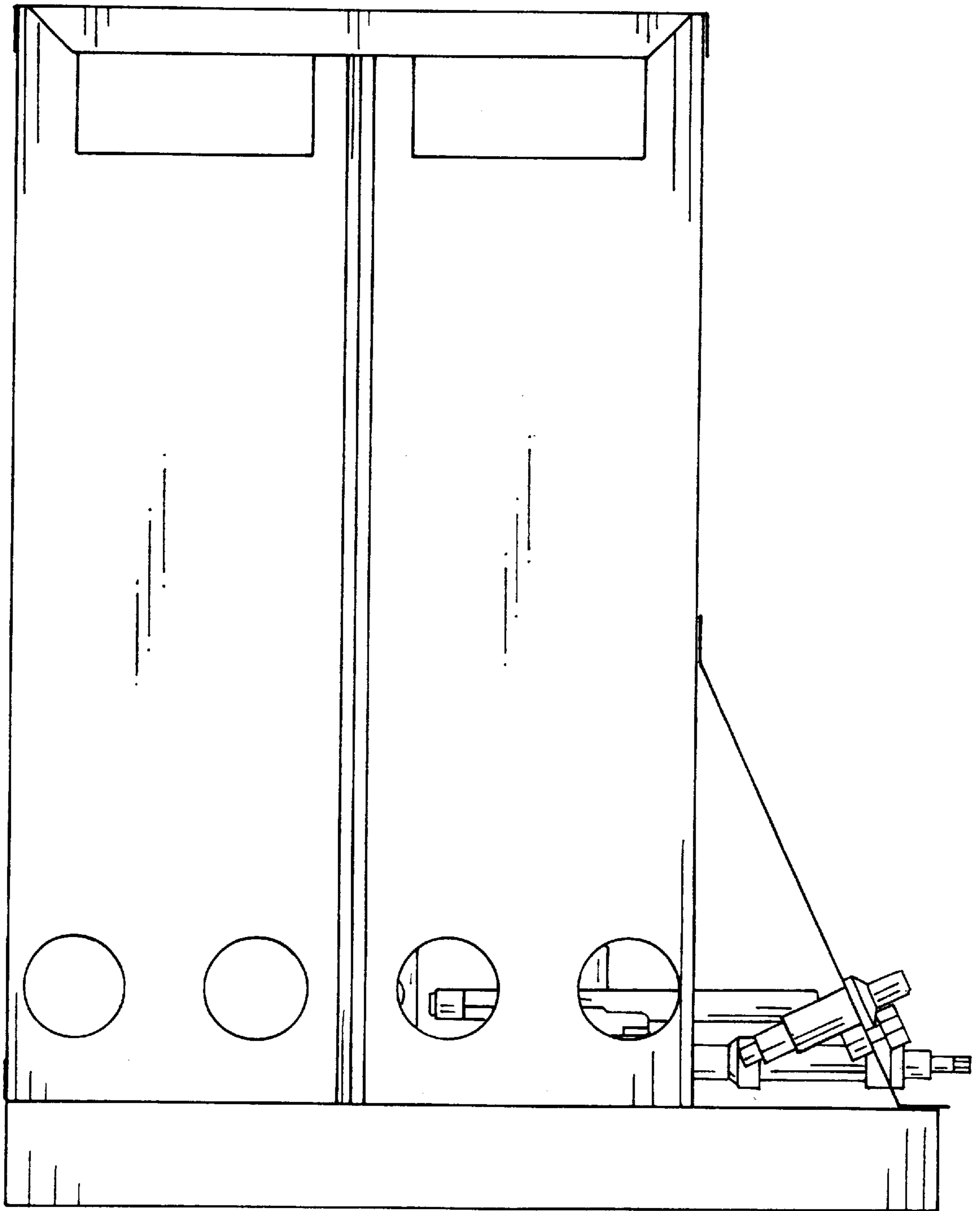


Fig. 3

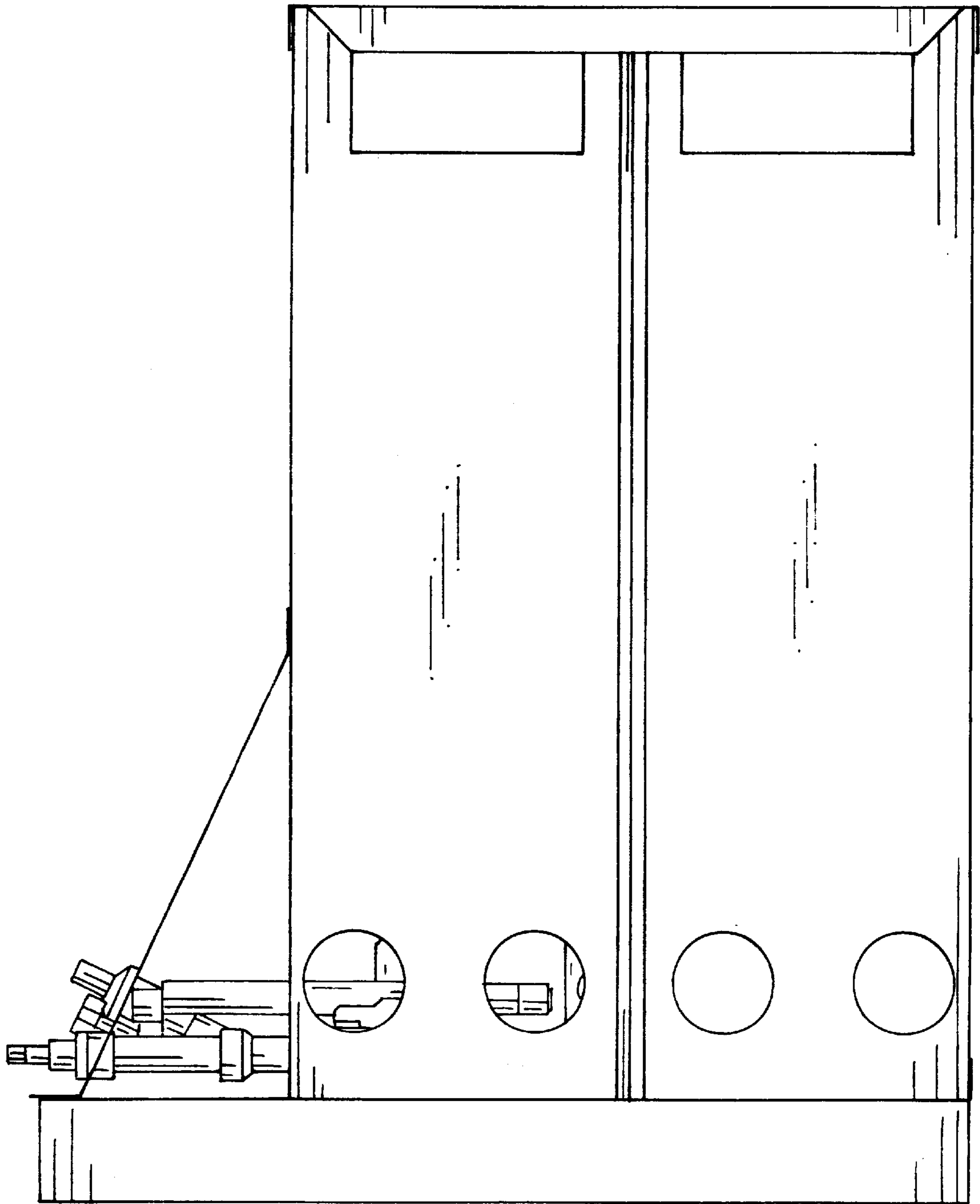


Fig. 4

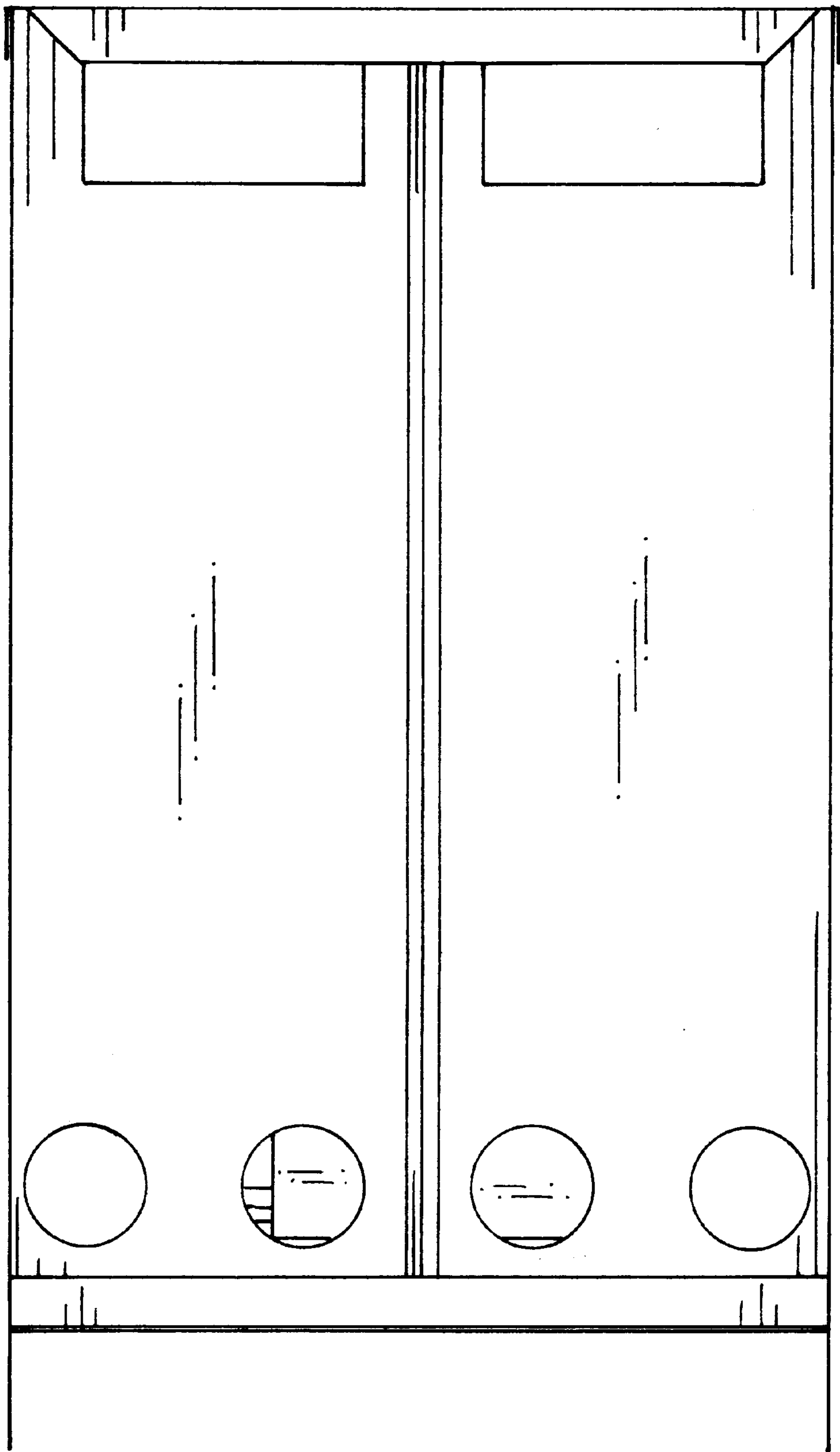


Fig. 5

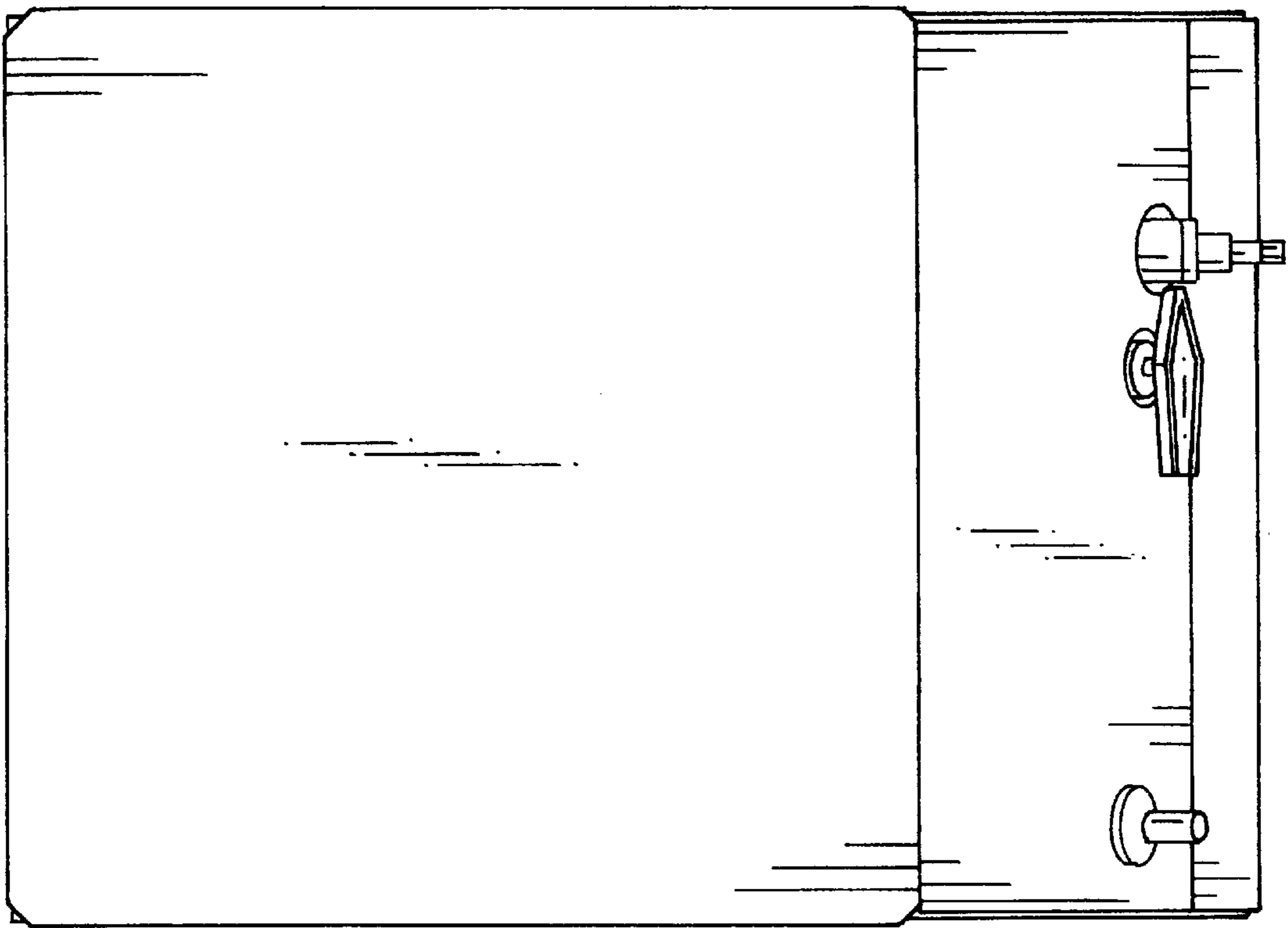


Fig. 6

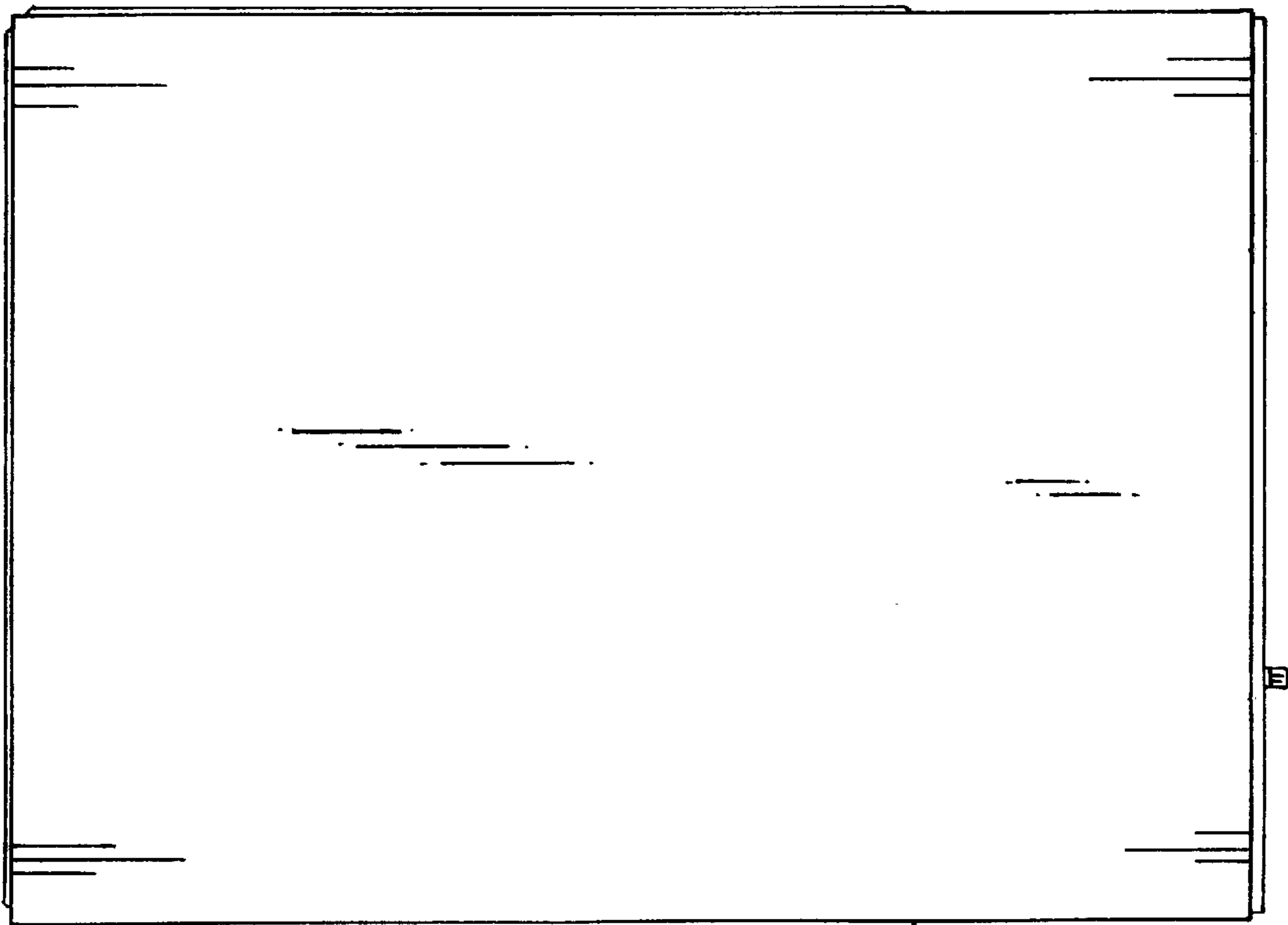


Fig. 7