



US00D450816B1

(12) **United States Design Patent**
Bilotti

(10) **Patent No.:** **US D450,816 S**

(45) **Date of Patent:** **** Nov. 20, 2001**

(54) **PATIO HEATER**

(75) **Inventor:** **Alfred J. Bilotti**, Huntington Beach, CA (US)

(73) **Assignee:** **Dayva International**, Huntington Beach, CA (US)

(**) **Term:** **14 Years**

(21) **Appl. No.:** **29/138,355**

(22) **Filed:** **Mar. 12, 2001**

(51) **LOC (7) Cl.** **23-03**

(52) **U.S. Cl.** **D23/328; D23/332; D23/342**

(58) **Field of Search** D23/328, 342, D23/332; D26/51, 158, 119; 126/90 A, 92 A, 92 B, 92 AC; 43/112, 113, 109; D22/122, 123; 362/92, 217, 253

(56) **References Cited**

U.S. PATENT DOCUMENTS

- D. 42,178 * 2/1912 Roy .
- D. 325,963 * 5/1992 Anderson .

- D. 429,324 * 8/2000 Olson et al. .
- 1,798,280 * 3/1931 Winner et al. .
- 3,934,572 * 1/1976 Teague, Jr. .
- 6,164,273 * 12/2000 Waters .
- 6,192,878 * 2/2001 Waters .

* cited by examiner

Primary Examiner—B. J. Bullock

(74) *Attorney, Agent, or Firm*—Raymond Sun

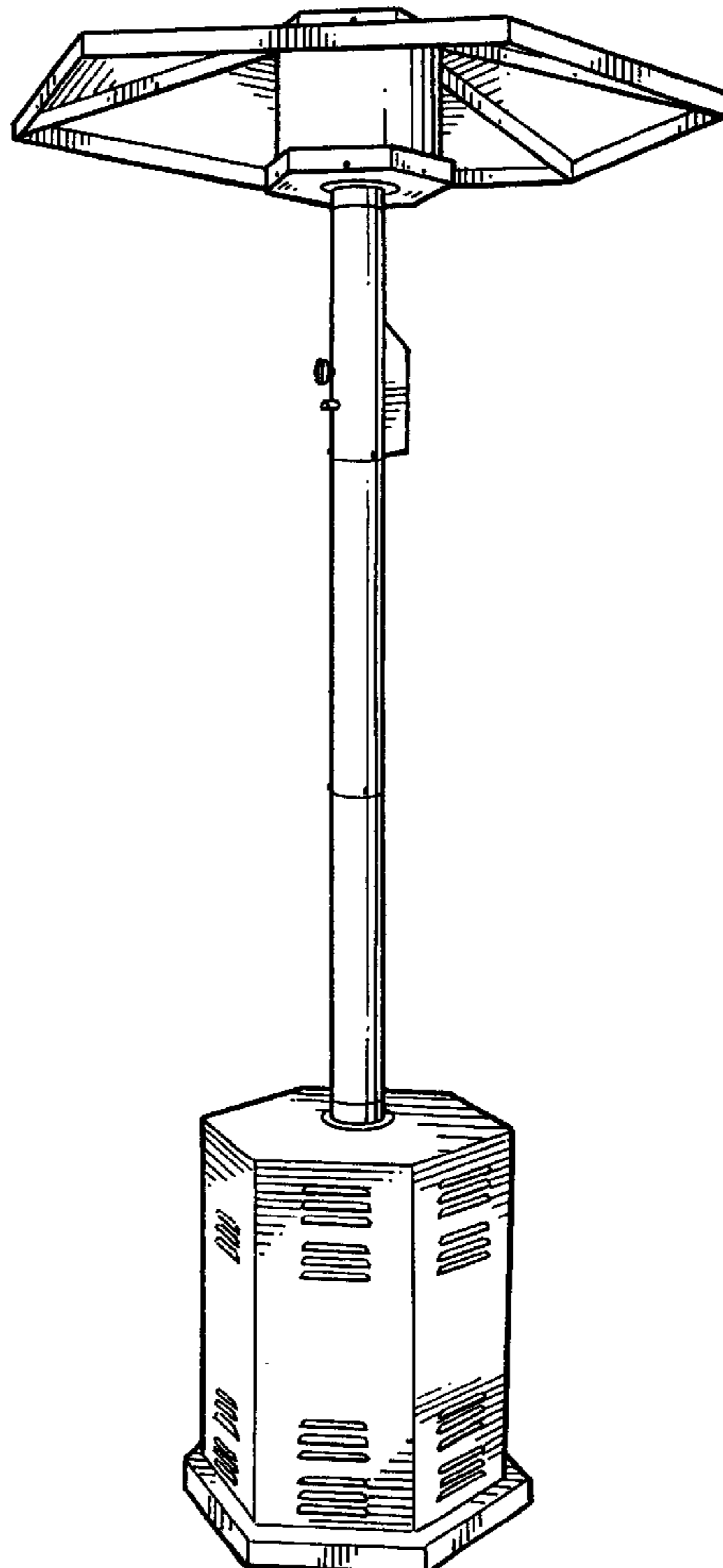
(57) **CLAIM**

The ornamental design for a patio heater, as shown.

DESCRIPTION

FIG. 1 is a perspective view of a patio heater showing my new design;
 FIG. 2 is a front elevation view thereof;
 FIG. 3 is a rear elevation view thereof;
 FIG. 4 is a top plan view thereof;
 FIG. 5 is a bottom plan view thereof;
 FIG. 6 is a right side elevation view thereof; and,
 FIG. 7 is a left side elevation view thereof.

1 Claim, 4 Drawing Sheets



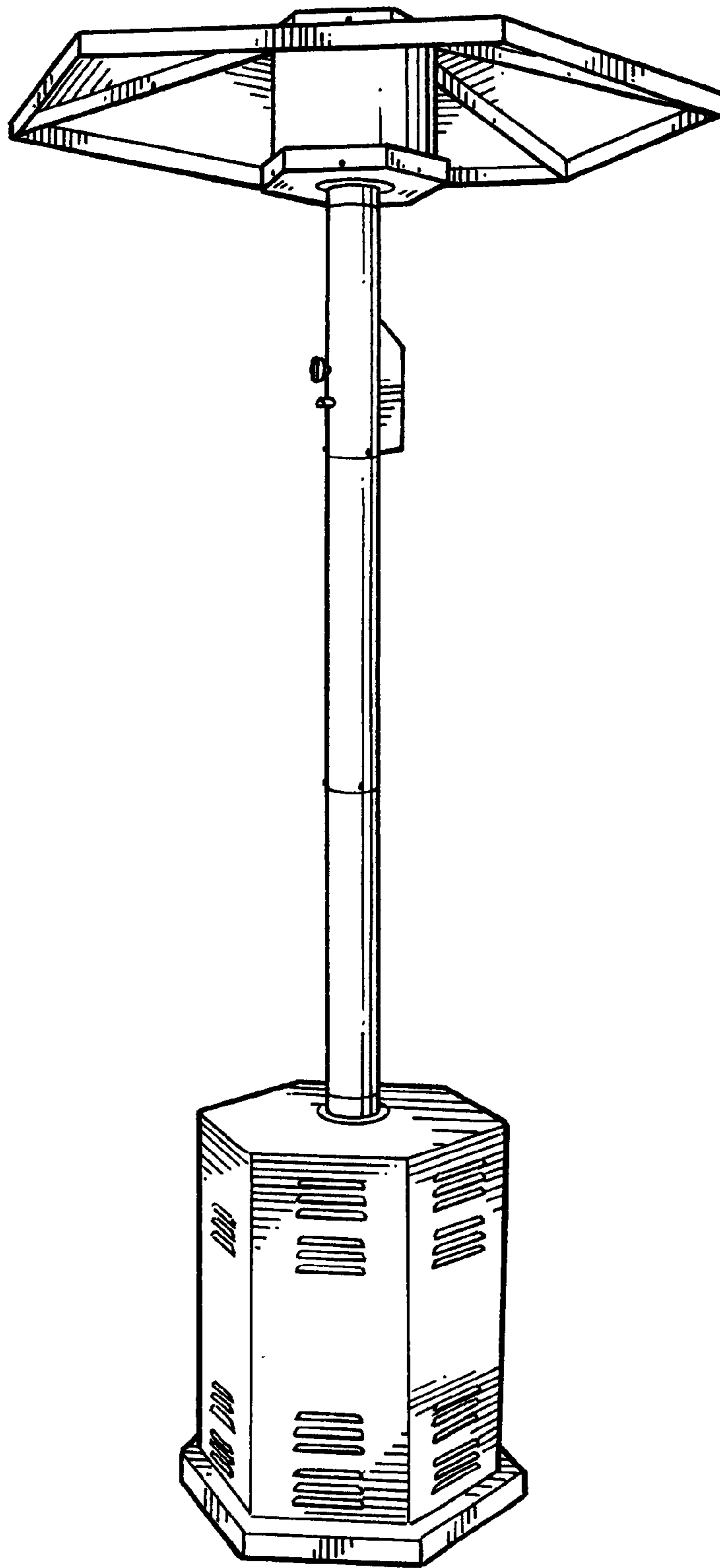


FIG. 1

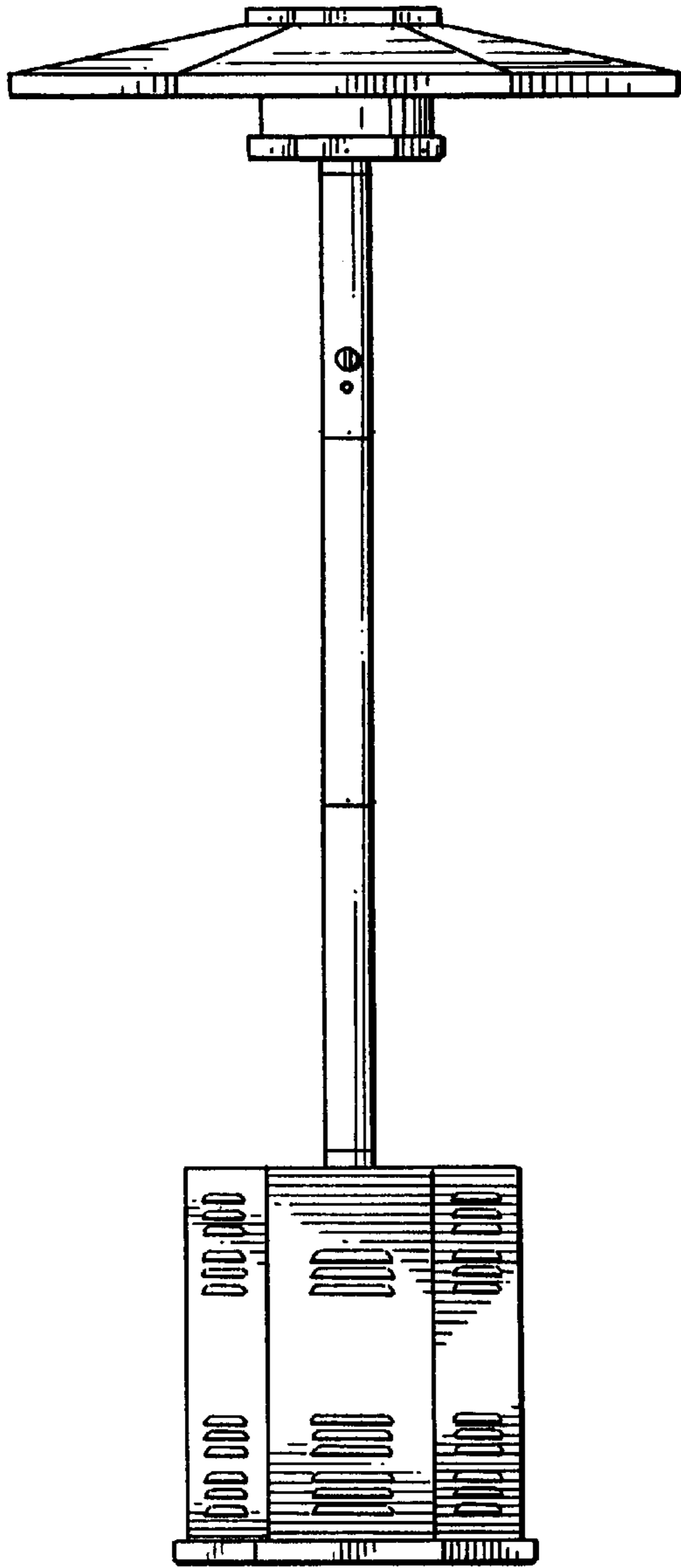


FIG. 2

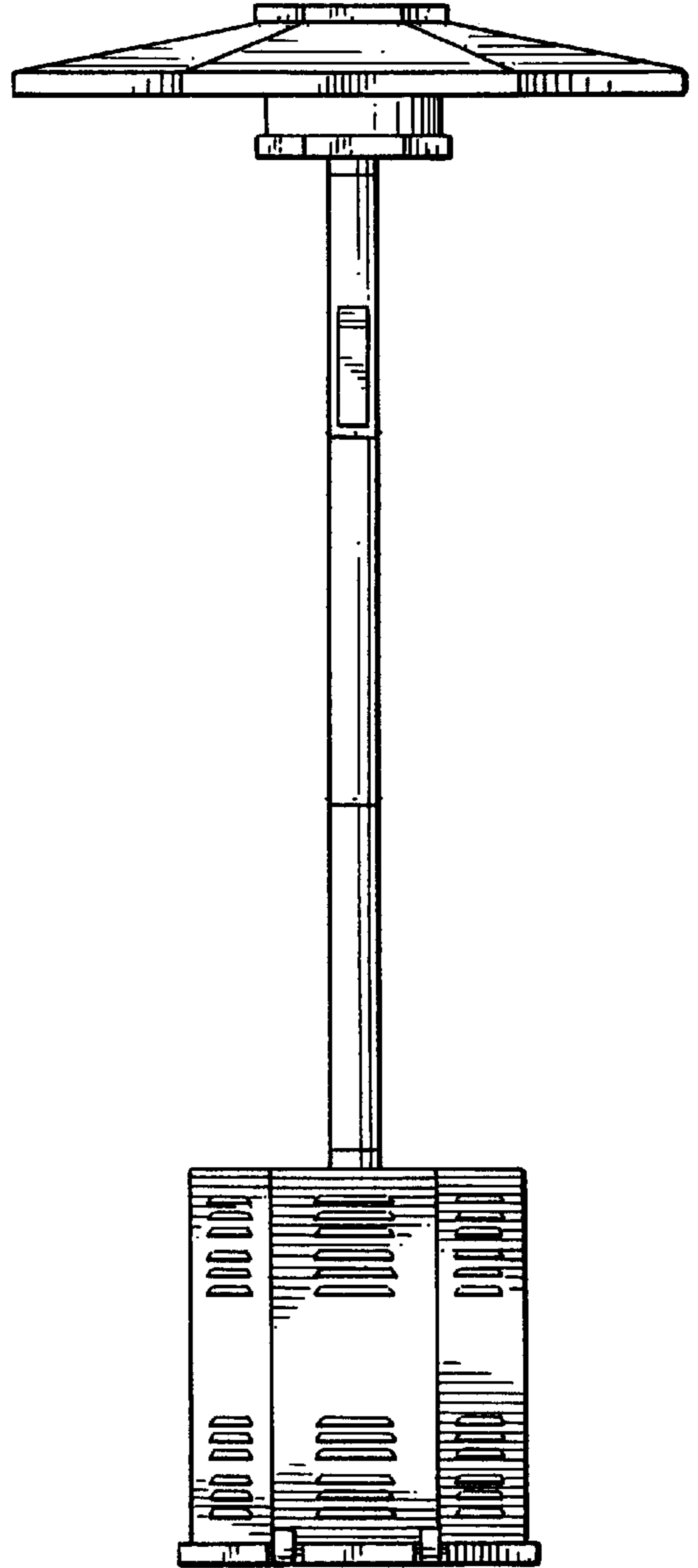


FIG. 3

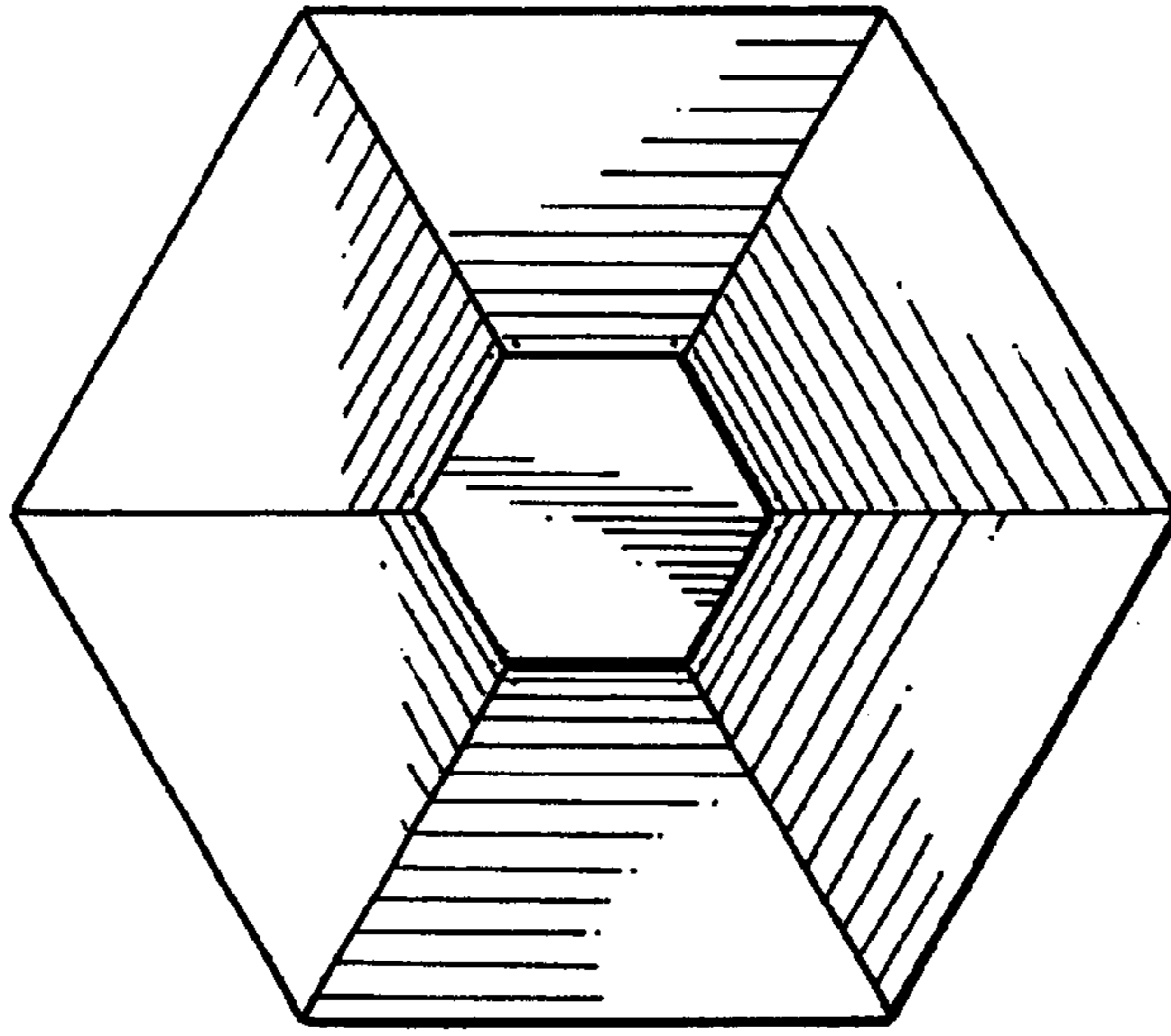


FIG. 4

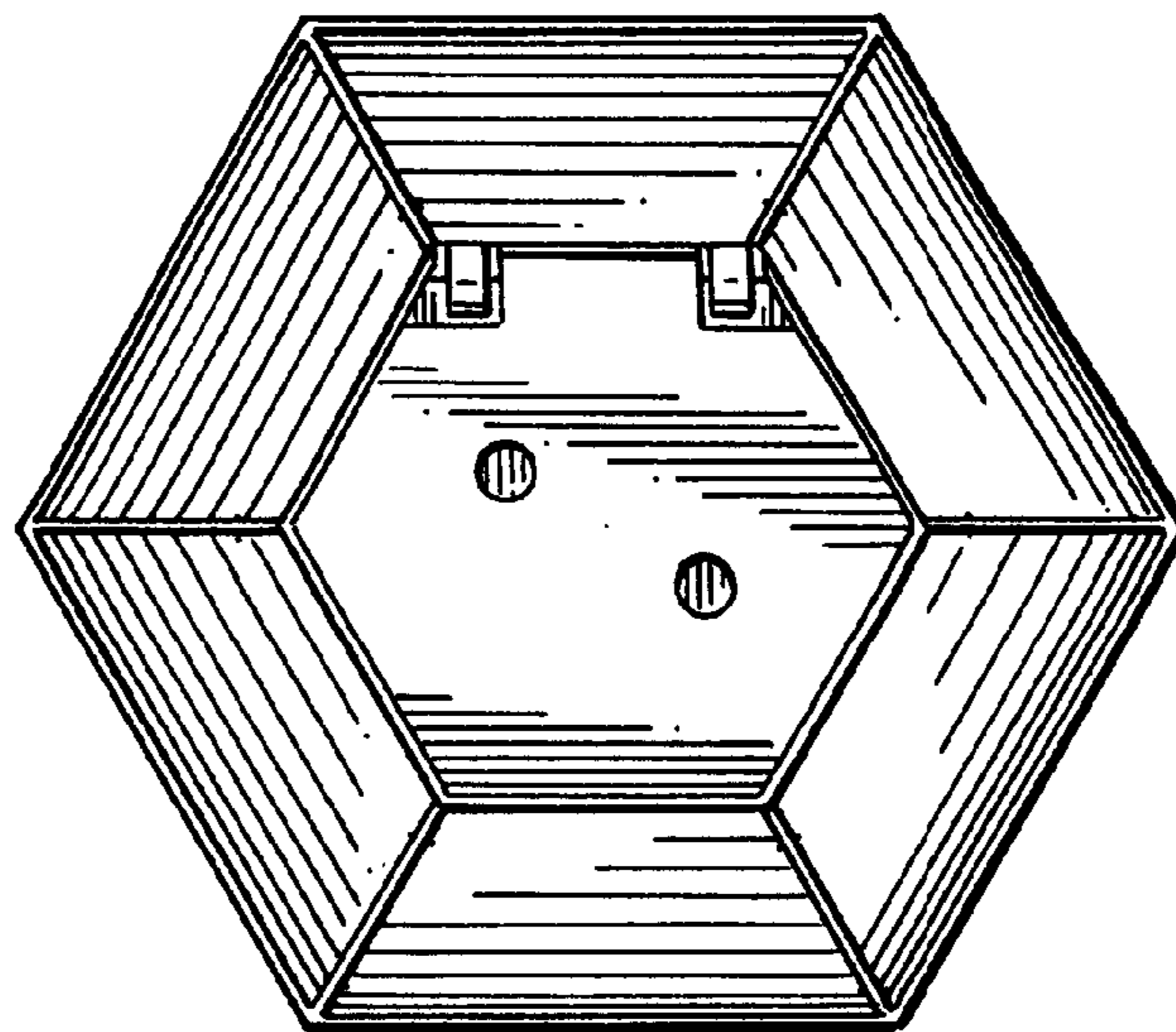


FIG. 5

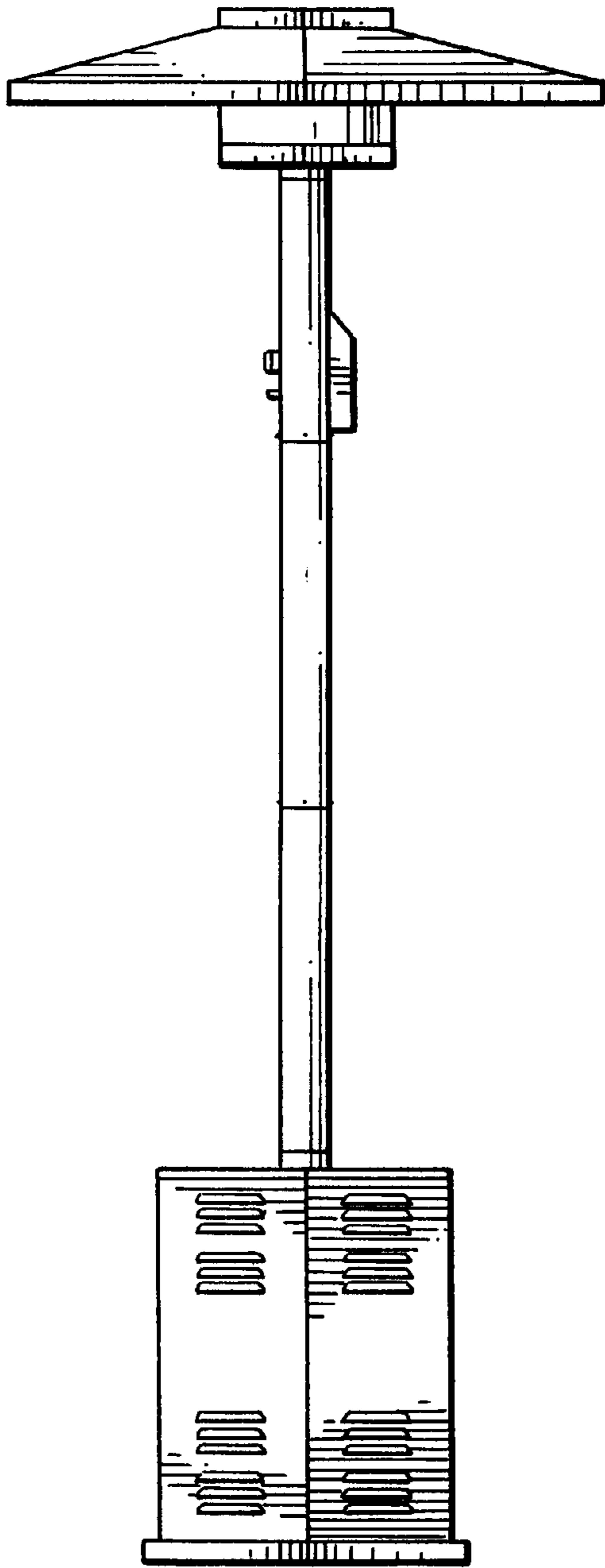


FIG. 6

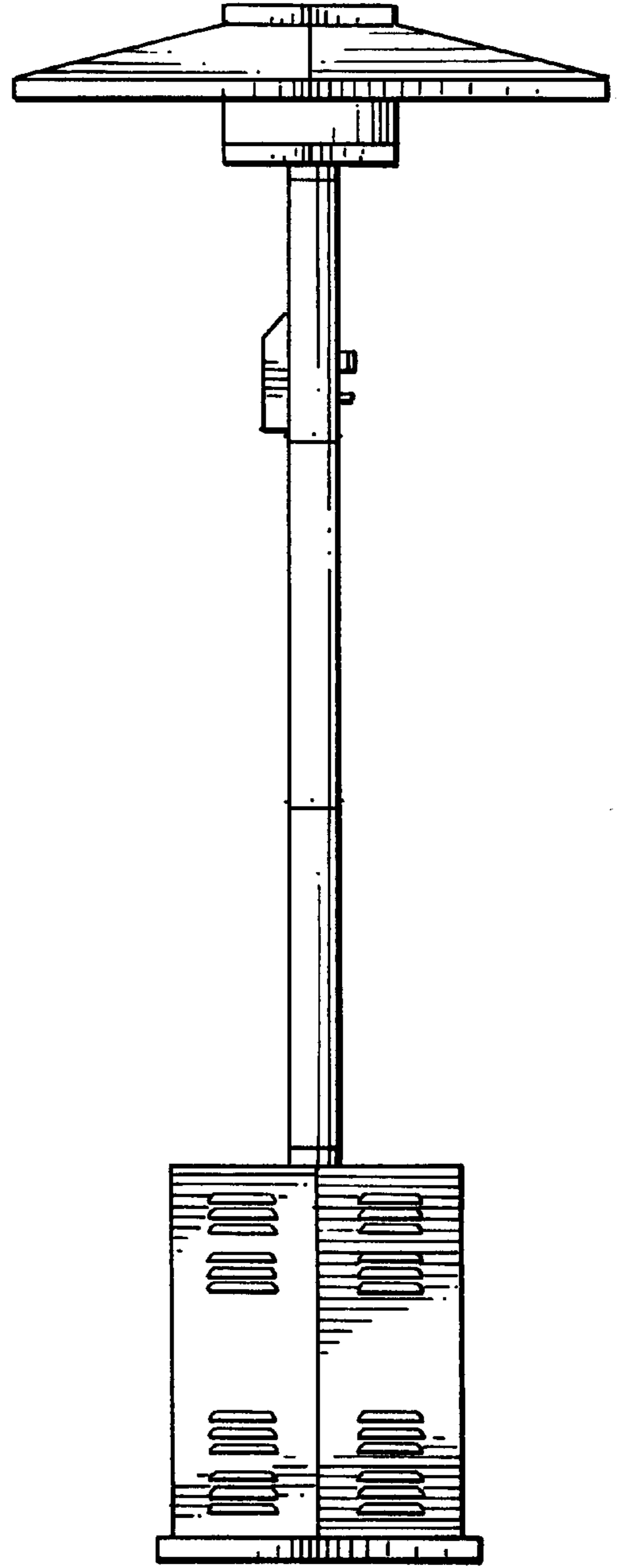


FIG. 7