



US00D450814B1

(12) **United States Design Patent**  
**Aldred et al.**

(10) **Patent No.:** **US D450,814 S**

(45) **Date of Patent:** **\*\* Nov. 20, 2001**

(54) **FLANGED COLLET NIPPLE**

3,980,325 \* 9/1976 Robertson ..... 285/249

4,007,878 \* 2/1977 Anderson ..... 239/209

4,943,817 \* 7/1990 Raahauge ..... 279/46.3

(75) Inventors: **Jeff Aldred**, Boulder; **Brian Hunter**,  
Nederland, both of CO (US)

\* cited by examiner

(73) Assignee: **American Standard International  
Inc.**, New York, NY (US)

*Primary Examiner*—Robin V. Taylor

(\*\*) Term: **14 Years**

(57) **CLAIM**

(21) Appl. No.: **29/121,517**

The ornamental design for a flanged collet nipple, as shown  
and described.

(22) Filed: **Apr. 6, 2000**

**DESCRIPTION**

(51) **LOC (7) Cl.** ..... **23-01**

(52) **U.S. Cl.** ..... **D23/259; D15/140**

(58) **Field of Search** ..... D23/266, 259;  
279/43.1, 43.3, 46.3, 4.07; 285/249; D15/140

FIG. 1. is a top, right, elevational, perspective view of a  
flanged collet nipple according to the present invention;

FIG. 2. is a top plan view thereof;

FIG. 3. is a bottom right perspective view thereof;

FIG. 4. is a bottom plan view thereof;

FIG. 5. is a right side, elevational view with the left side  
elevational view being a mirror image thereof; and,

FIG. 6. is a front elevational view with the rear elevational  
view being a mirror image thereof.

(56) **References Cited**

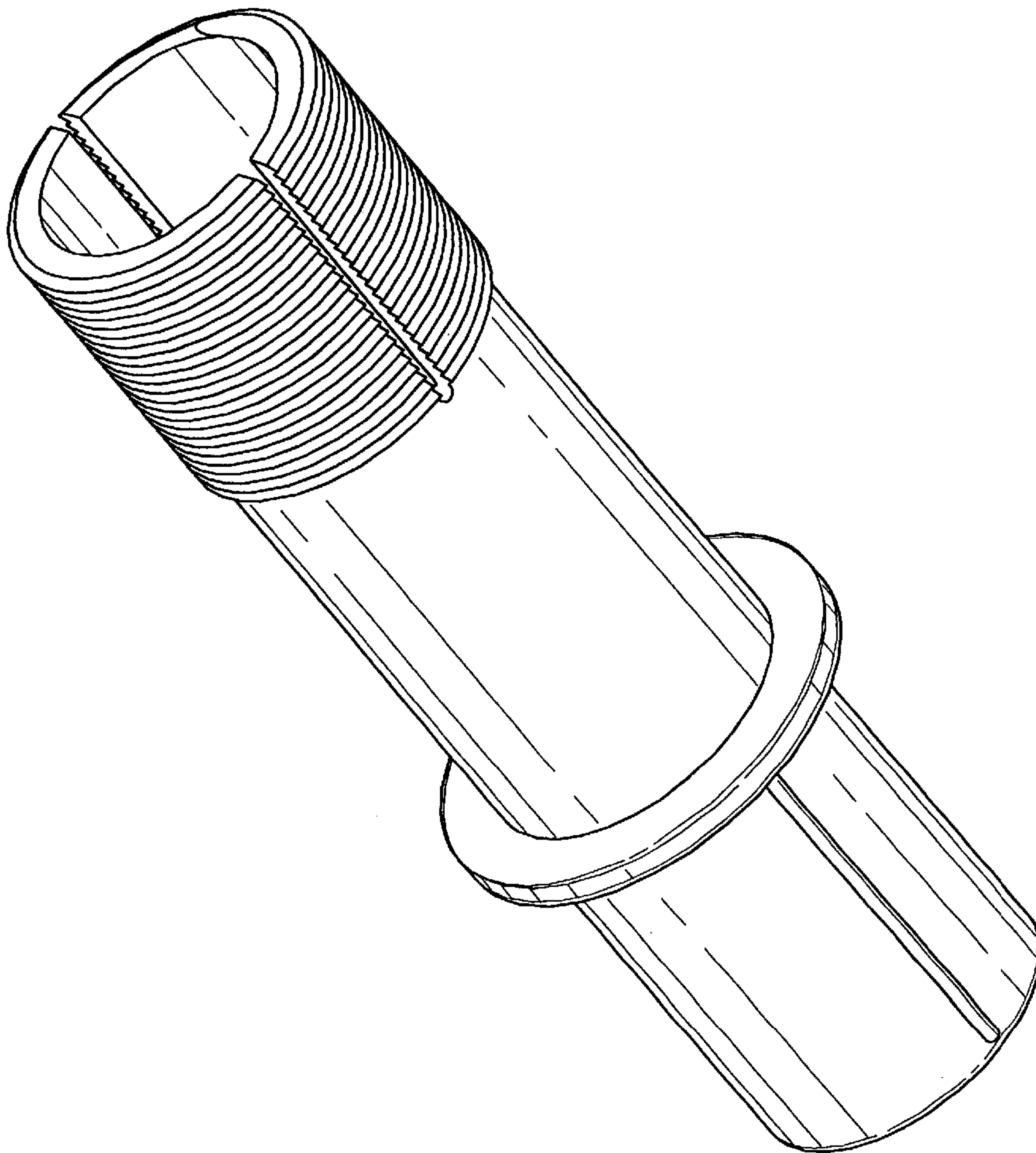
**U.S. PATENT DOCUMENTS**

D. 318,102 \* 7/1991 Papai ..... D23/266

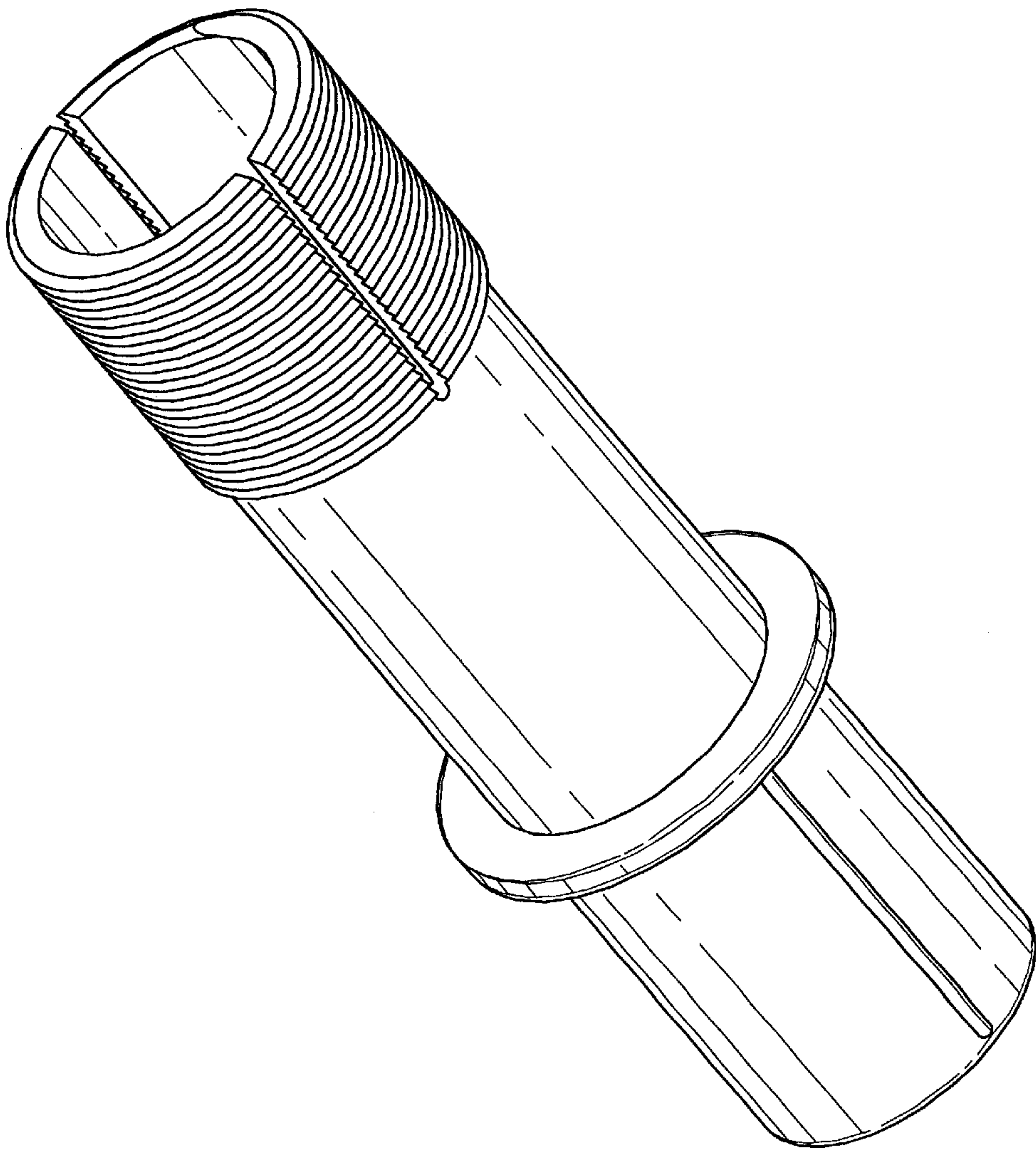
D. 349,758 \* 8/1994 Hallbach et al. .... D23/259

D. 437,865 \* 2/2001 Kladich ..... D15/140

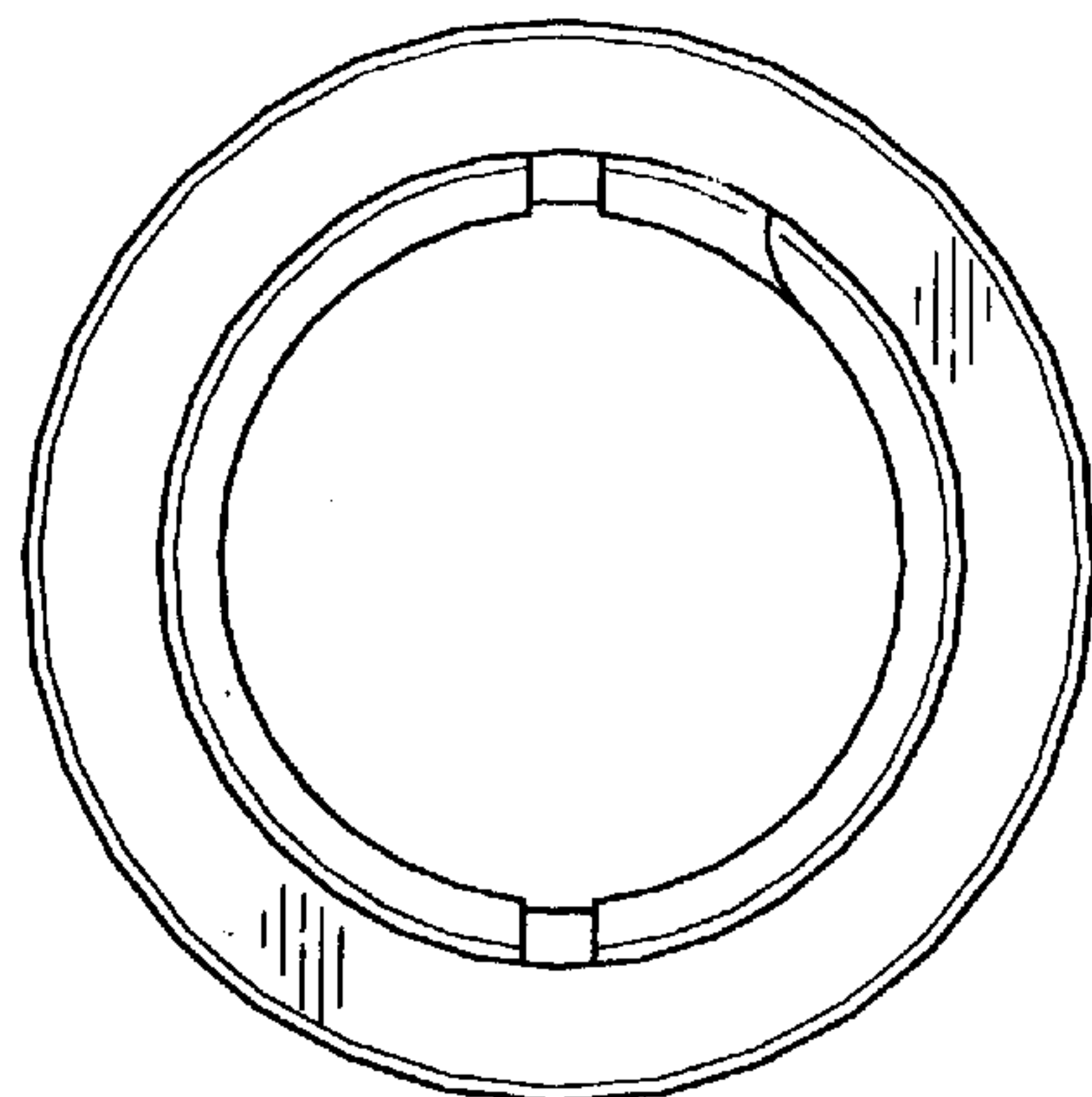
**1 Claim, 3 Drawing Sheets**



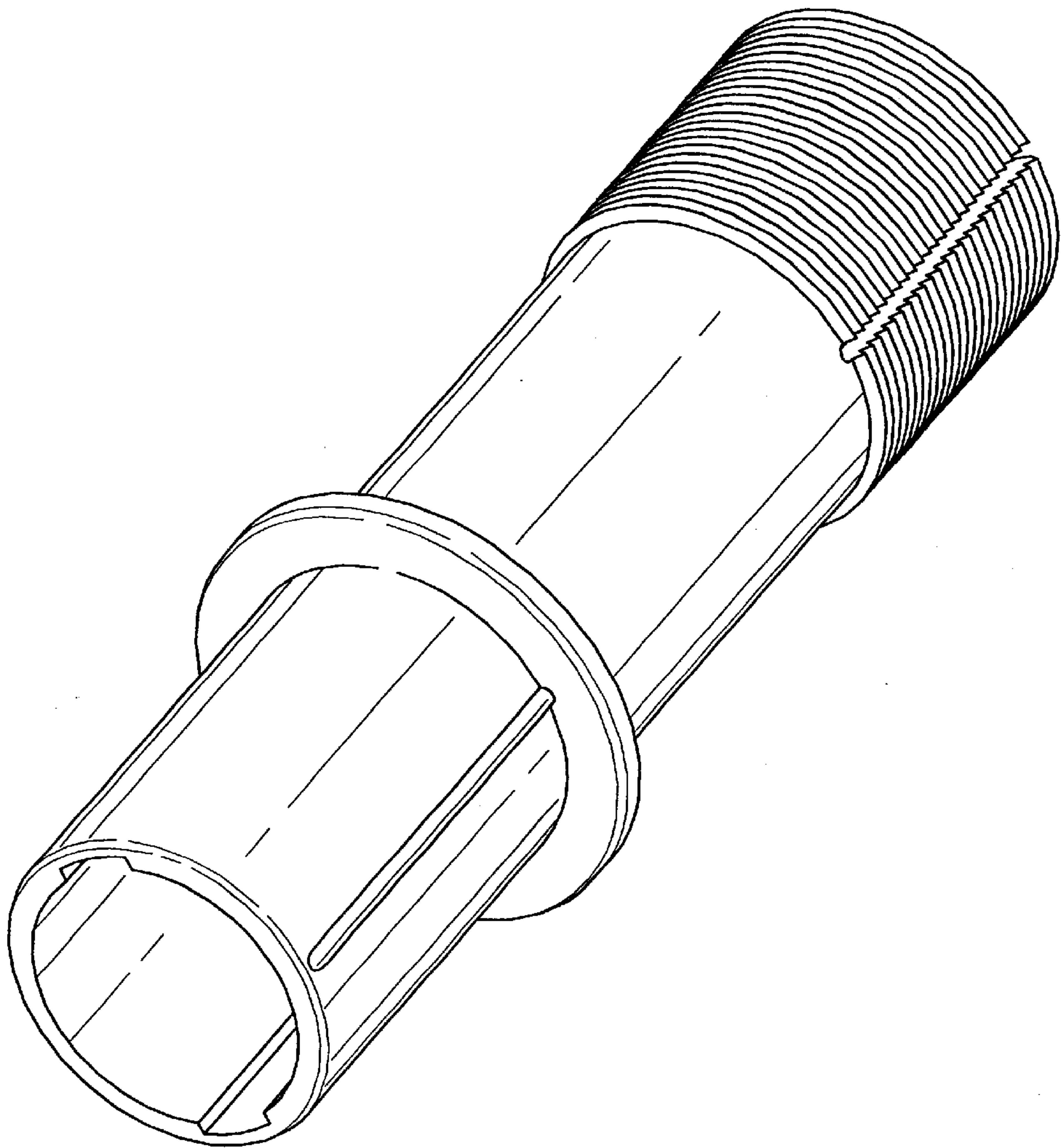
**FIG. 1**



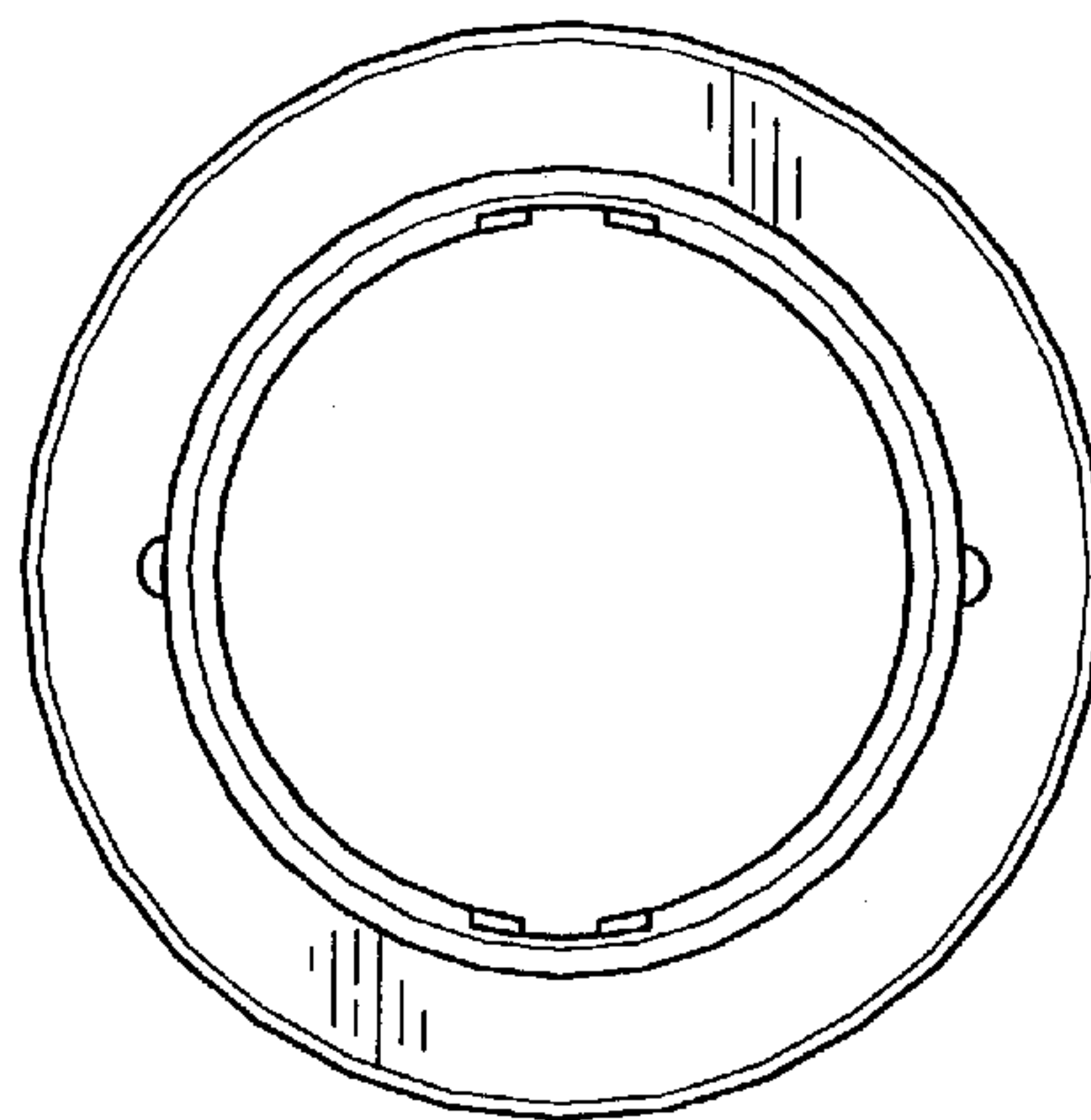
**FIG. 2**



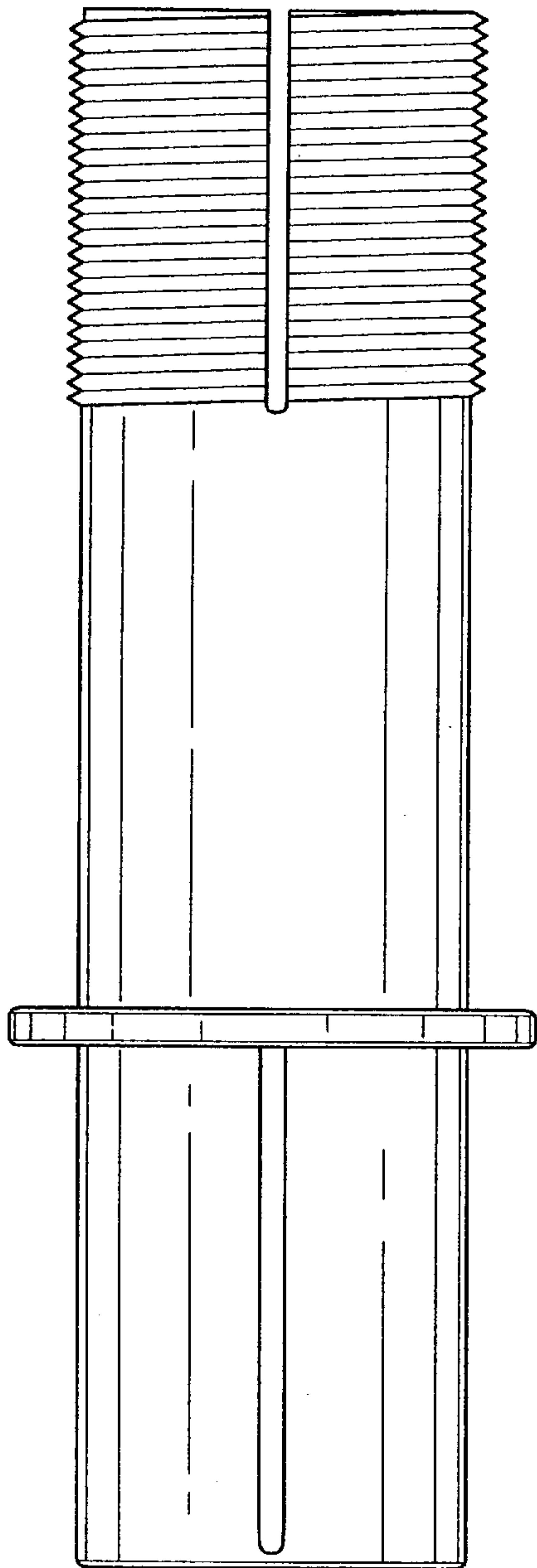
**FIG. 3**



**FIG. 4**



**FIG. 5**



**FIG. 6**

