



US00D450813B1

(12) **United States Design Patent**
Lobermeier

(10) **Patent No.:** **US D450,813 S**

(45) **Date of Patent:** **** Nov. 20, 2001**

(54) **HANDLE AND ESCUTCHEON FOR WALL-MOUNTED VALVE**

D. 316,746 * 5/1991 Ragonot D23/250
D. 339,630 * 9/1993 Gottwald D23/254
D. 421,293 * 2/2000 Mullenmeister D23/254

(75) Inventor: **Hans Lobermeier**, Menden (DE)

* cited by examiner

(73) Assignee: **Friedrich Grohe AG & Co. KG**, Hemer (DE)

Primary Examiner—Louis S. Zarfaz

Assistant Examiner—Gregory Andoll

(**) Term: **14 Years**

(74) *Attorney, Agent, or Firm*—Herbert Dubno

(21) Appl. No.: **29/141,859**

(57) **CLAIM**

(22) Filed: **May 14, 2001**

The ornamental design for a handle and escutcheon for wall-mounted valve, as shown.

(30) **Foreign Application Priority Data**

DESCRIPTION

Dec. 6, 2000 (DE) 4 00 11 372

(51) **LOC (7) Cl.** **23-01**

FIG. 1 is a bottom, front, left-side perspective view of a handle and escutcheon for wall-mounted valve showing my new design;

(52) **U.S. Cl.** **D23/254**

FIG. 2 is a top plan view thereof;

(58) **Field of Search** D23/238–243,
D23/249–254; D8/300–312, 350–353, DIG. 2;
4/675–678; 16/110 R; 137/801

FIG. 3 is a front elevational view thereof;

FIG. 4 is a left side elevational view thereof;

FIG. 5 is a right side elevational view thereof;

FIG. 6 is a bottom plan view thereof; and,

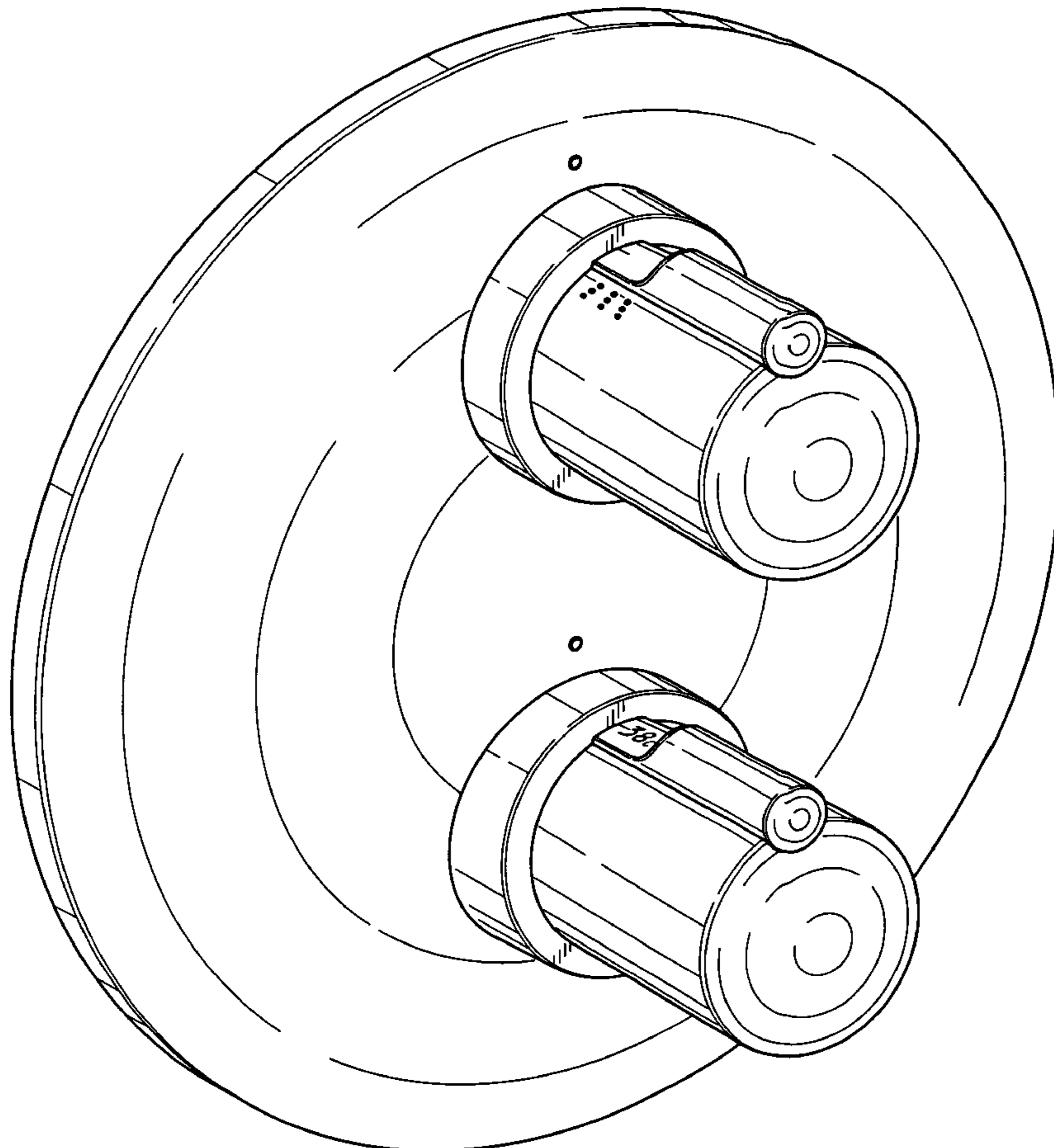
FIG. 7 is a rear elevational view thereof.

(56) **References Cited**

U.S. PATENT DOCUMENTS

D. 268,513 * 4/1983 Thompson D23/250

1 Claim, 5 Drawing Sheets



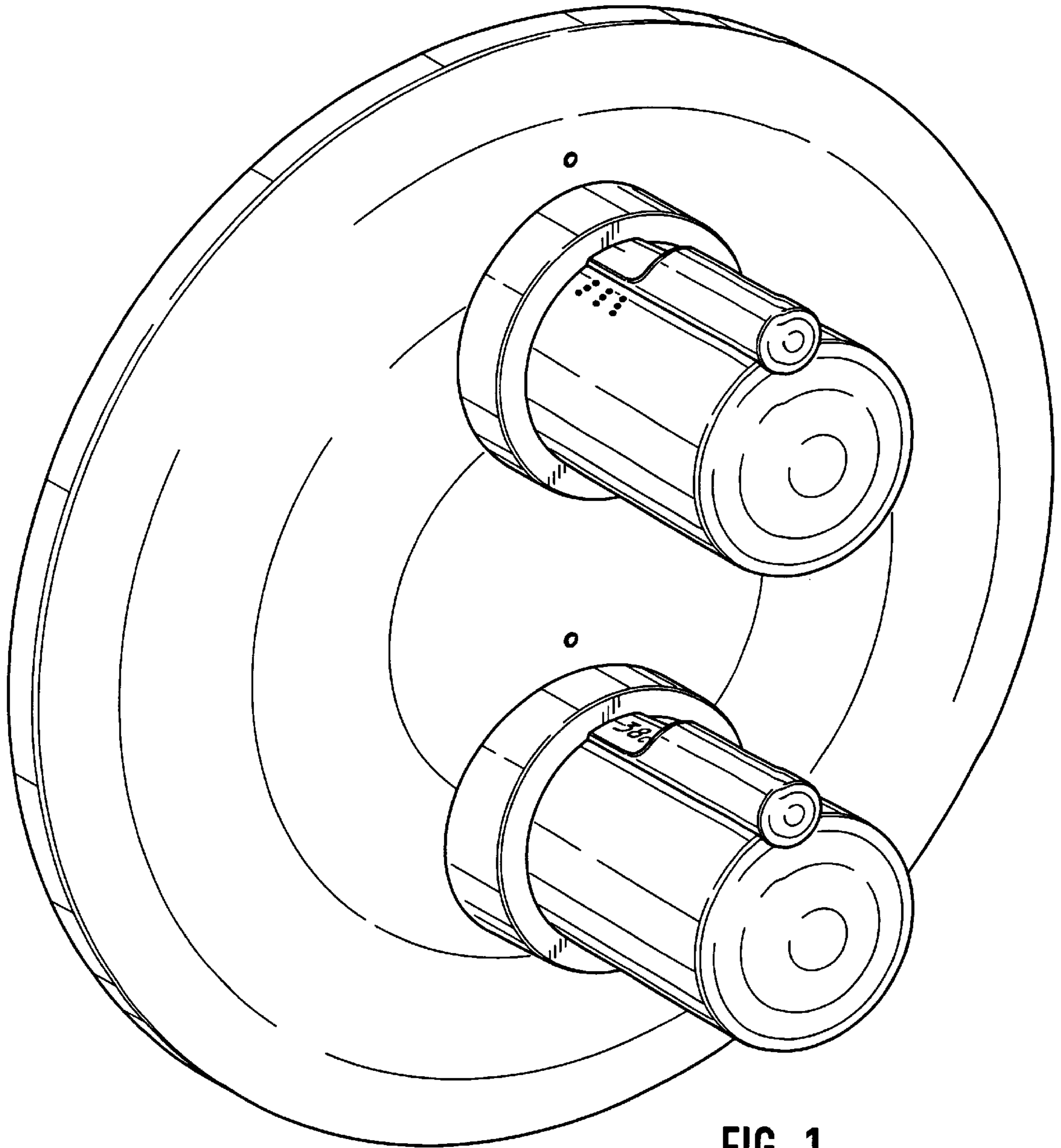


FIG. 1

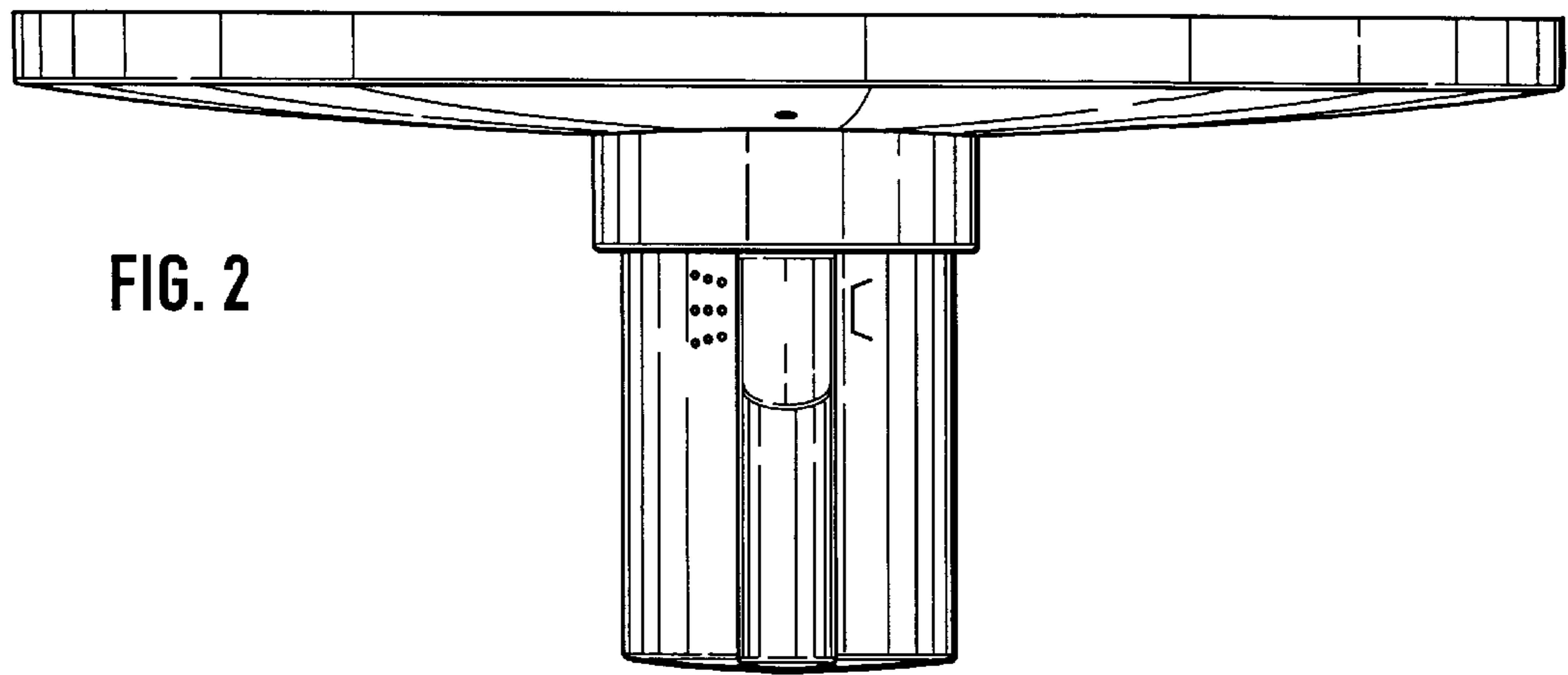


FIG. 2

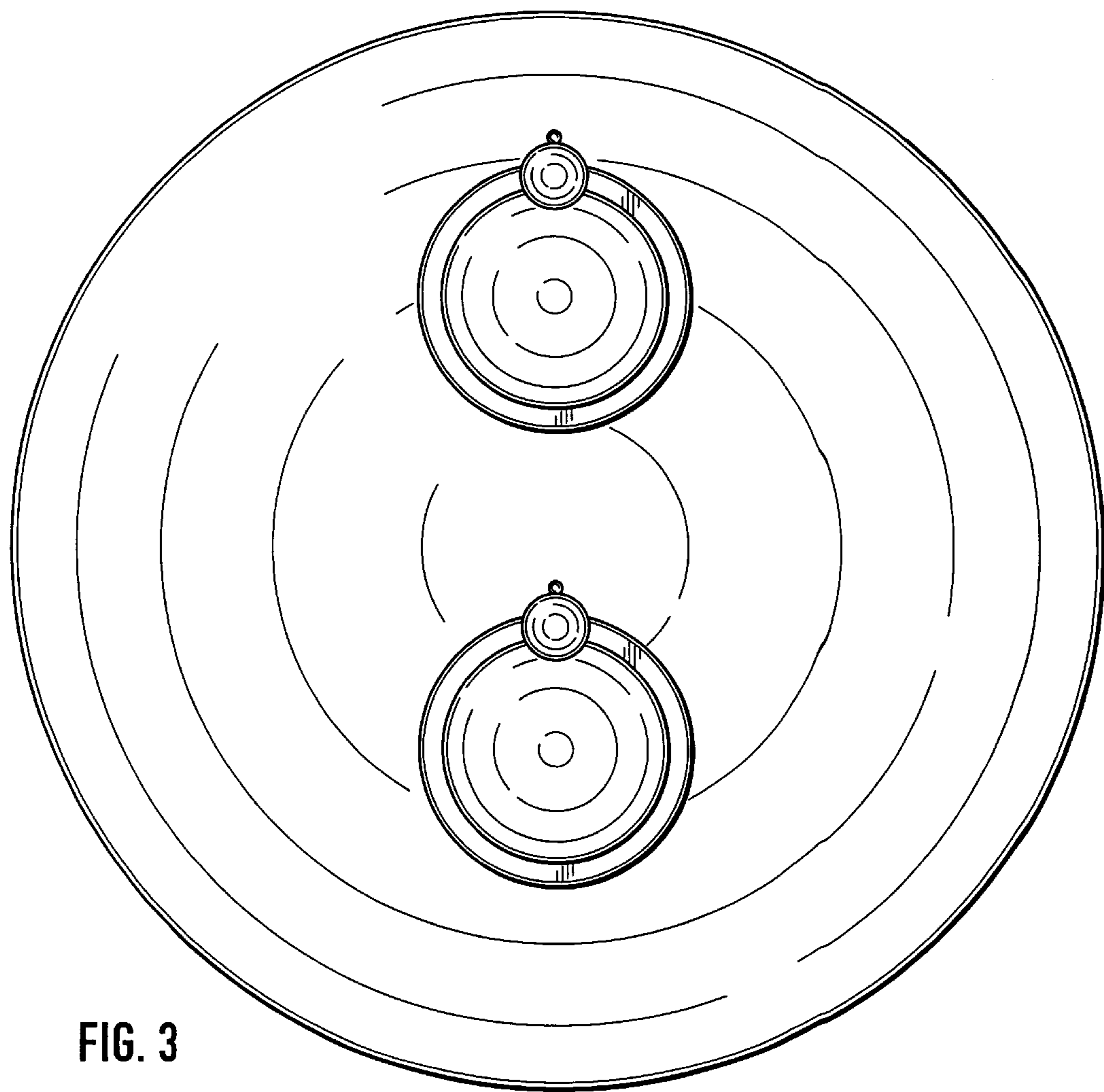


FIG. 3

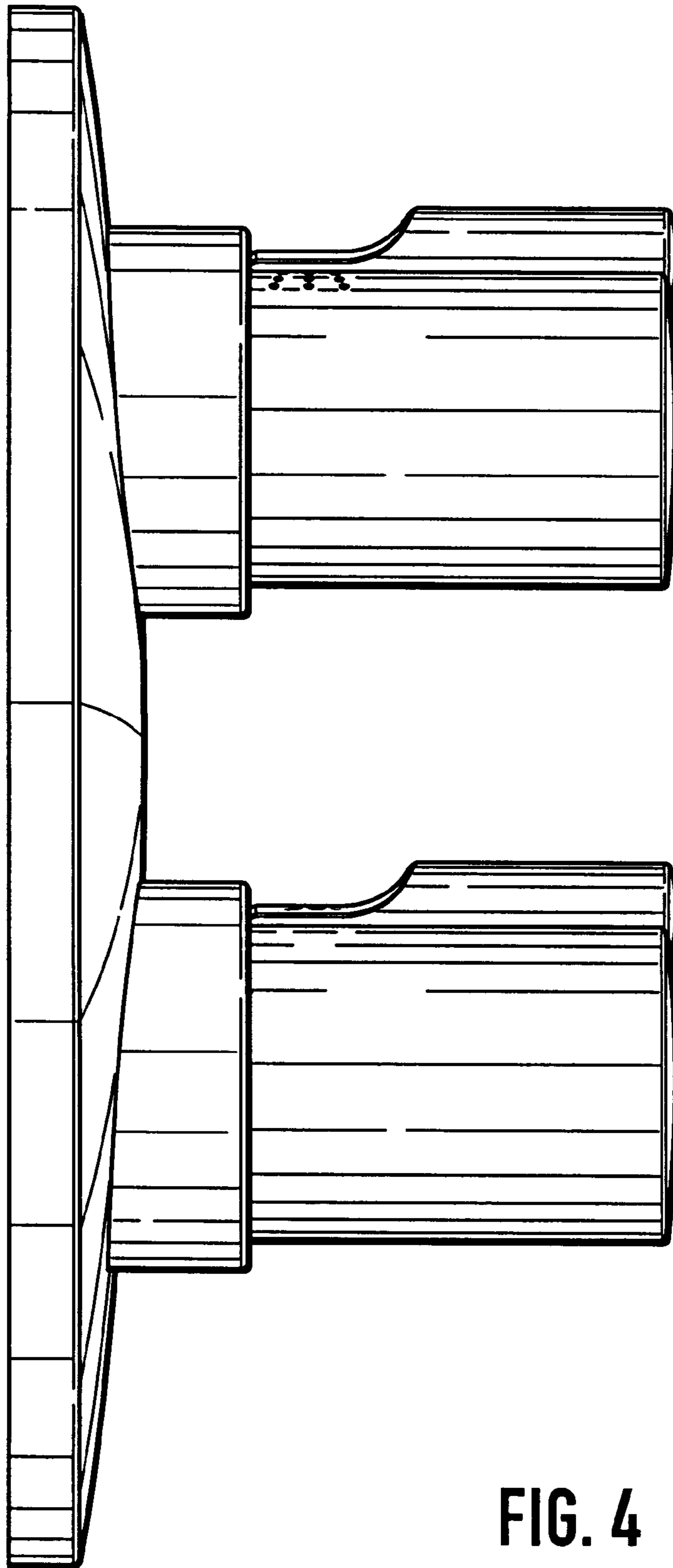


FIG. 4

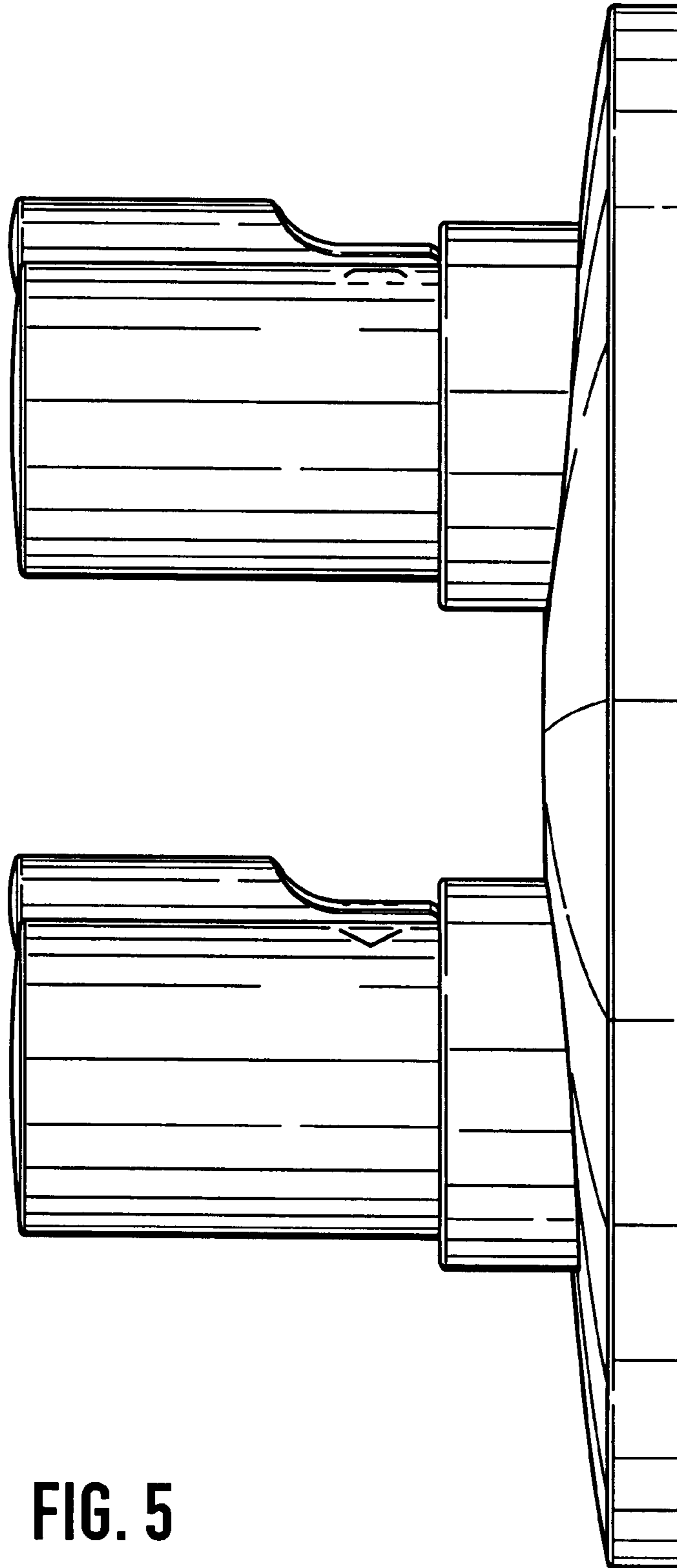


FIG. 5

FIG. 6

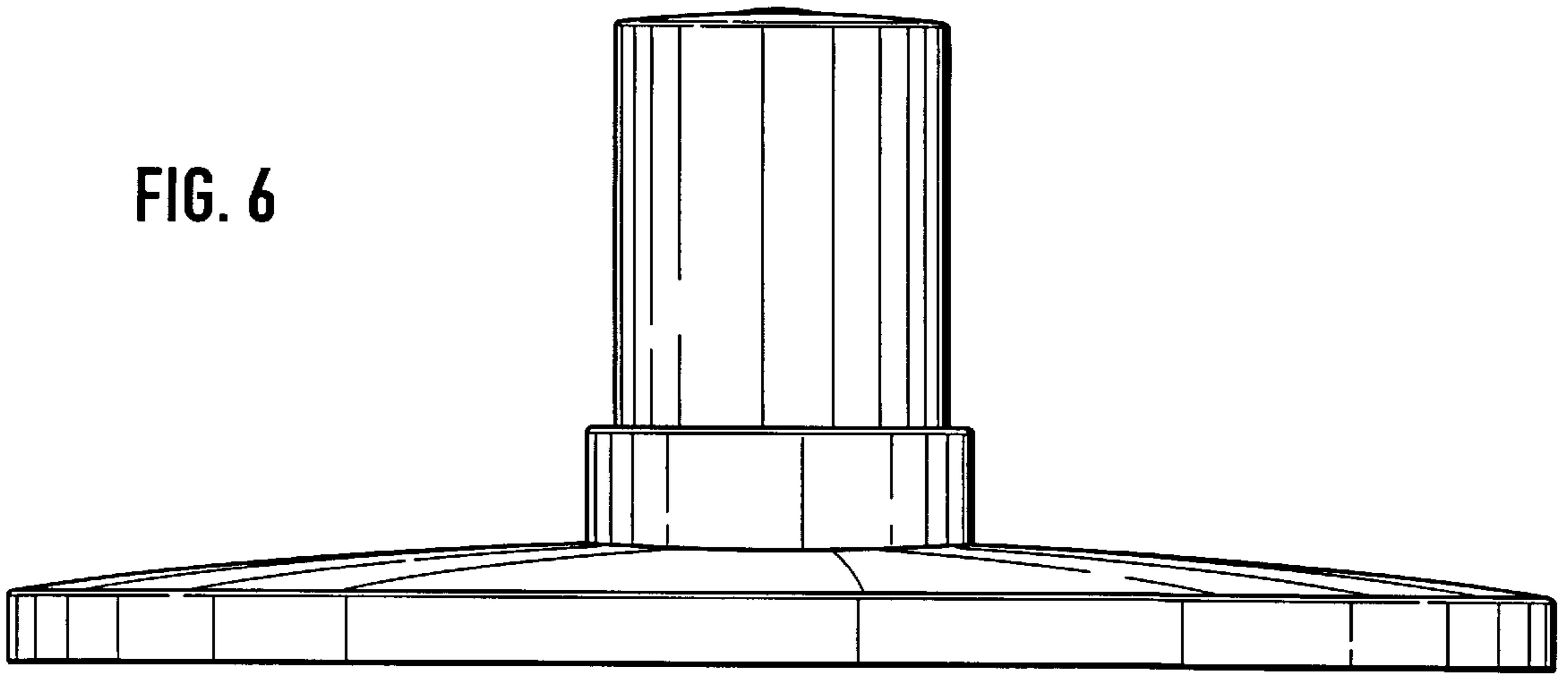


FIG. 7

