



US00D450812B1

(12) **United States Design Patent**  
**Lobermeier**

(10) **Patent No.:** **US D450,812 S**

(45) **Date of Patent:** **\*\* Nov. 20, 2001**

(54) **HANDLE AND ESCUTCHEON FOR WALL-MOUNTED VALVE**

D. 316,746 \* 5/1991 Ragonot ..... D23/250  
D. 339,630 \* 9/1993 Gottwald ..... D23/254  
D. 421,293 \* 2/2000 Mullenmeister ..... D23/254

(75) Inventor: **Hans Lobermeier**, Menden (DE)

\* cited by examiner

(73) Assignee: **Friedrich Grohe AG & Co. KG**,  
Hemer (DE)

*Primary Examiner*—Louis S. Zarfaz

*Assistant Examiner*—Gregory Andoll

(\*\*) Term: **14 Years**

(74) *Attorney, Agent, or Firm*—Herbert Dubno

(21) Appl. No.: **29/141,856**

(57) **CLAIM**

(22) Filed: **May 14, 2001**

The ornamental design for a handle and escutcheon for wall-mounted valve, as shown.

(30) **Foreign Application Priority Data**

**DESCRIPTION**

Dec. 6, 2000 (DE) ..... 40 011 372

FIG. 1 is a bottom, front, left-side perspective view of a handle and escutcheon for wall-mounted valve showing my new design;

(51) **LOC (7) Cl.** ..... **23-01**

(52) **U.S. Cl.** ..... **D23/254**

FIG. 2 is a top plan view thereof;

(58) **Field of Search** ..... D23/238–243,  
D23/249–254; D8/300–312, 350–353, DIG. 2;  
4/675–678; 16/110 R; 137/801

FIG. 3 is a front elevational view thereof;

FIG. 4 is a bottom plan view thereof;

FIG. 5 is a rear elevational view thereof;

(56) **References Cited**

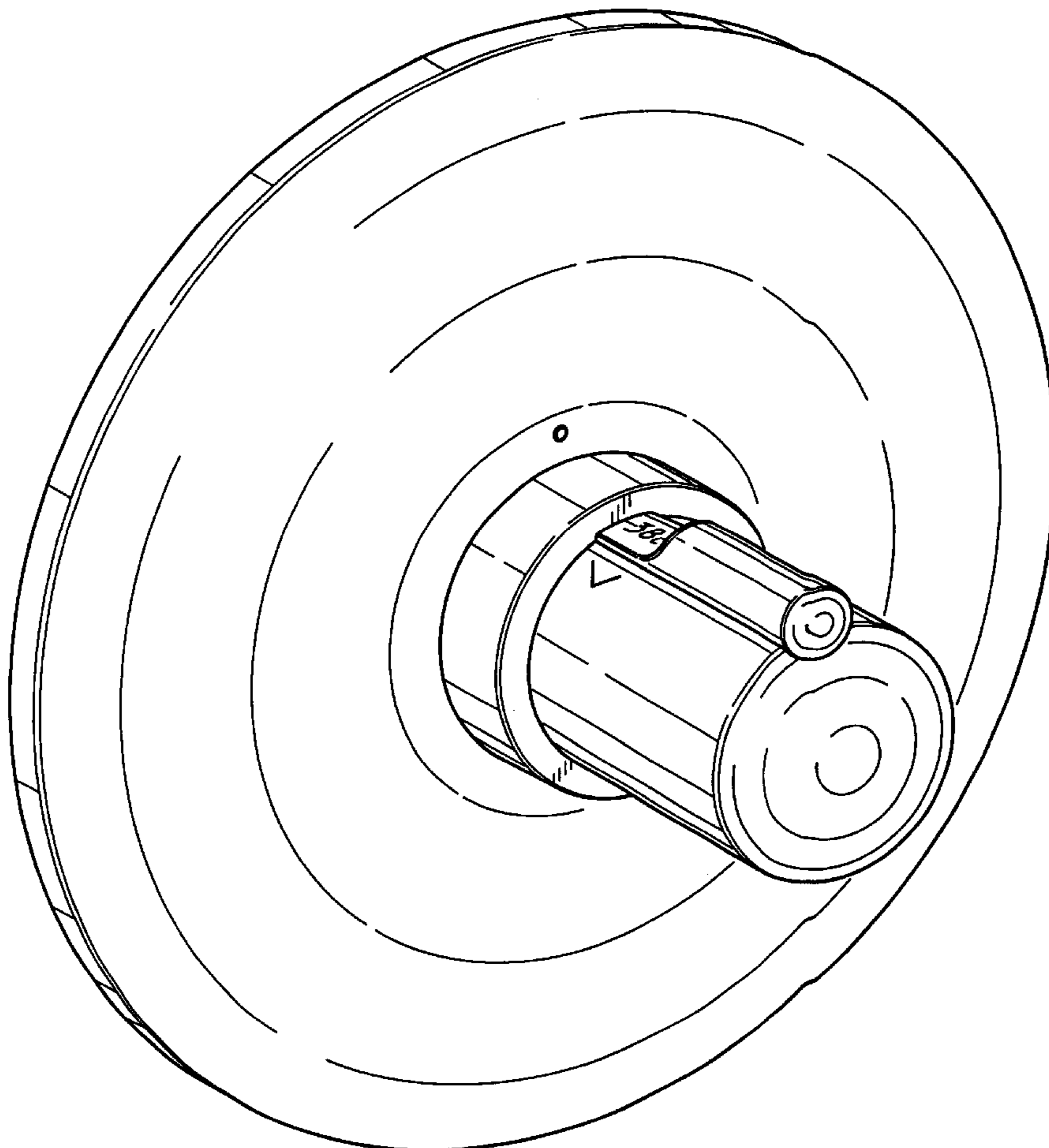
FIG. 6 is a left side elevational view thereof; and,

FIG. 7 is a right side elevational view thereof.

**U.S. PATENT DOCUMENTS**

D. 268,513 \* 4/1983 Thompson ..... D23/250

**1 Claim, 4 Drawing Sheets**



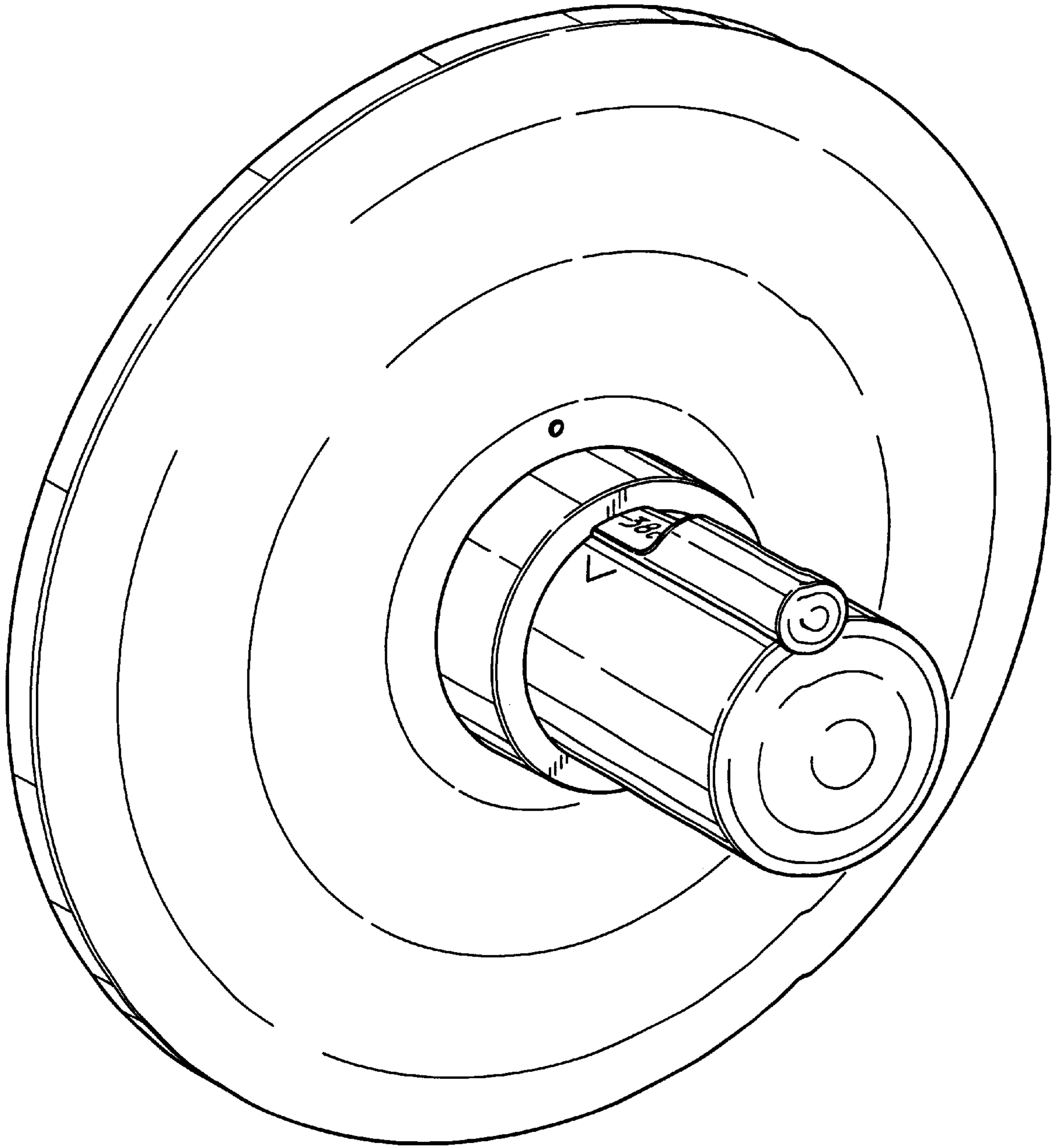


FIG. 1

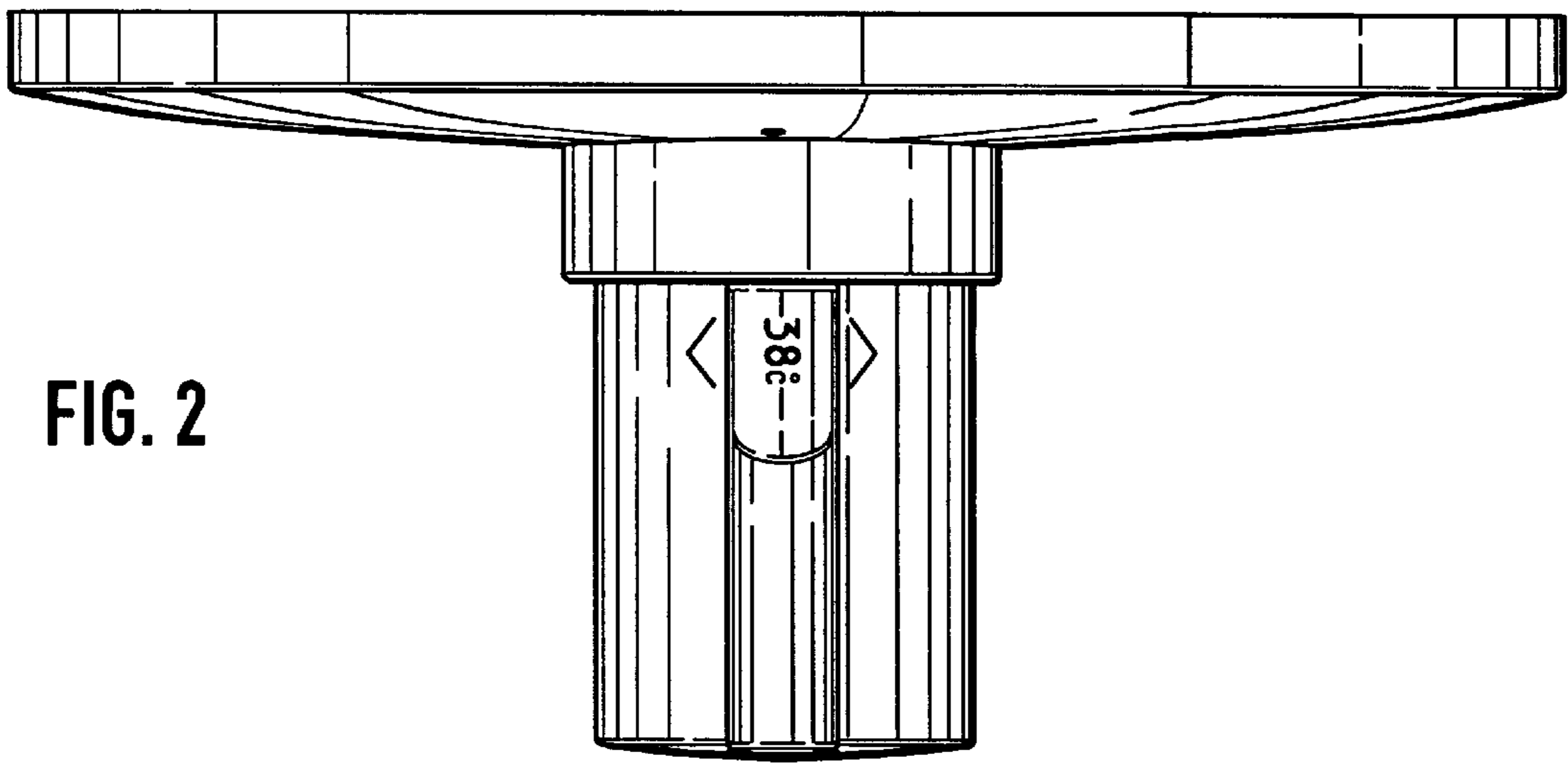


FIG. 2

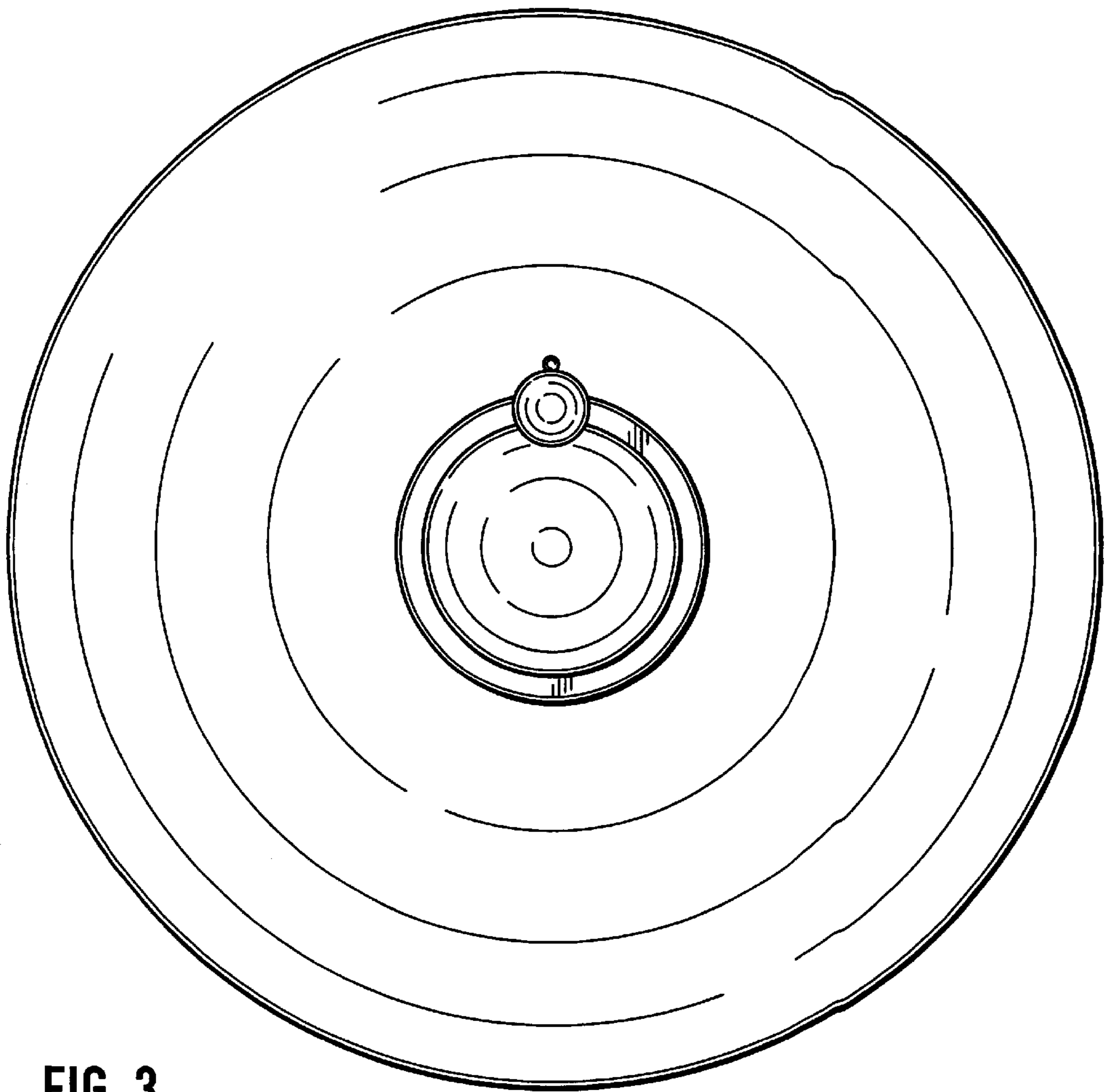


FIG. 3

FIG. 4

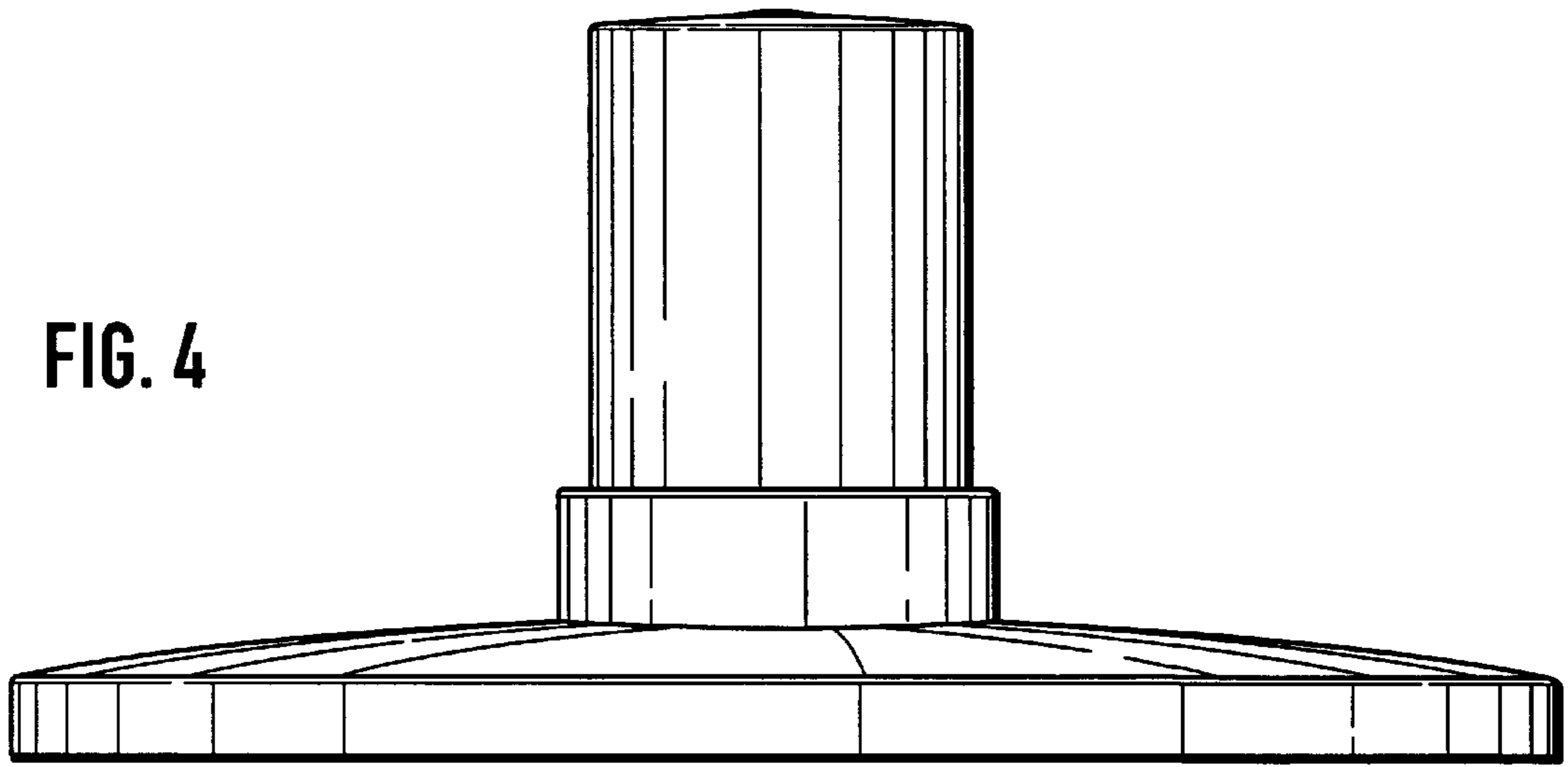
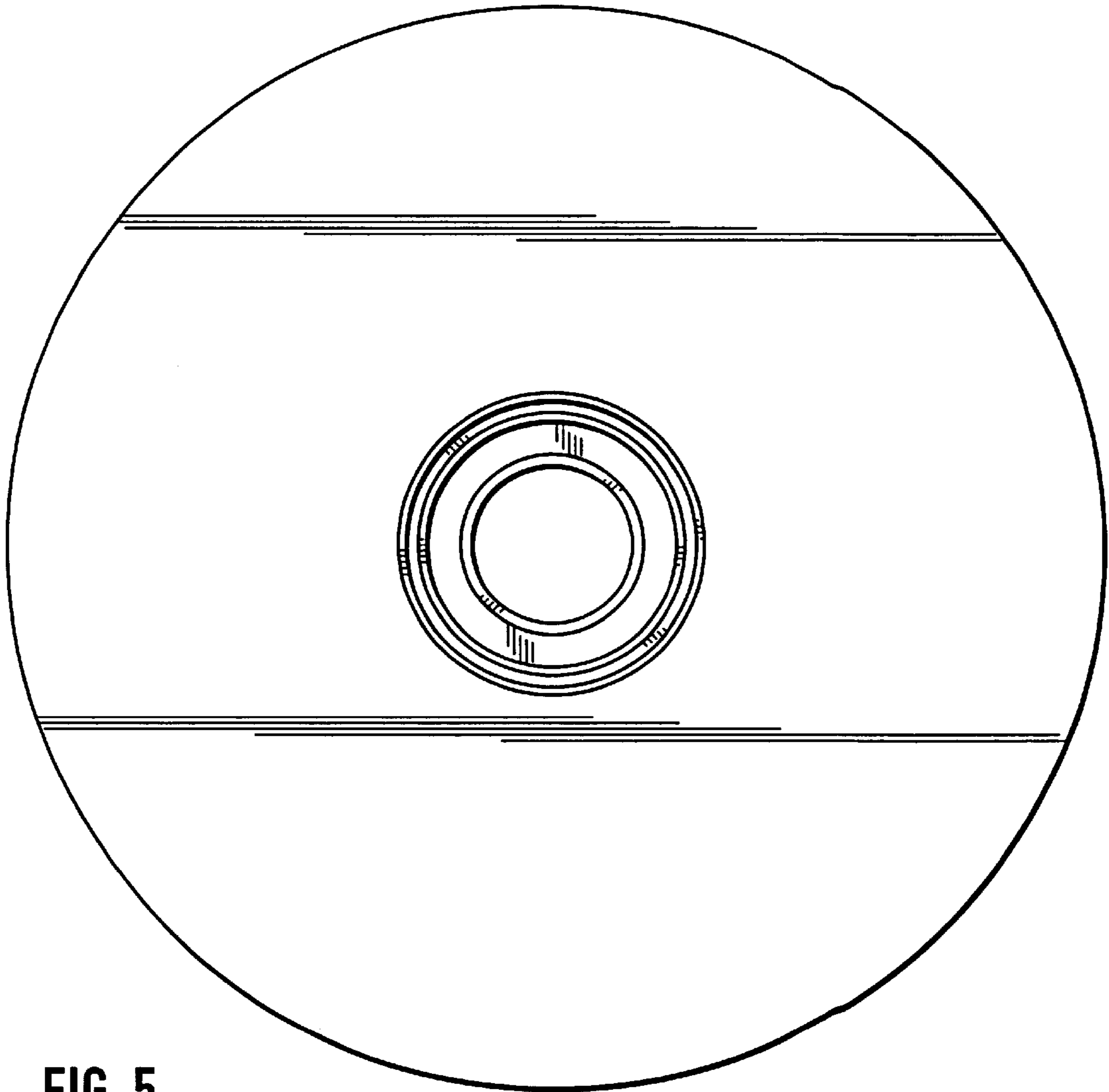


FIG. 5



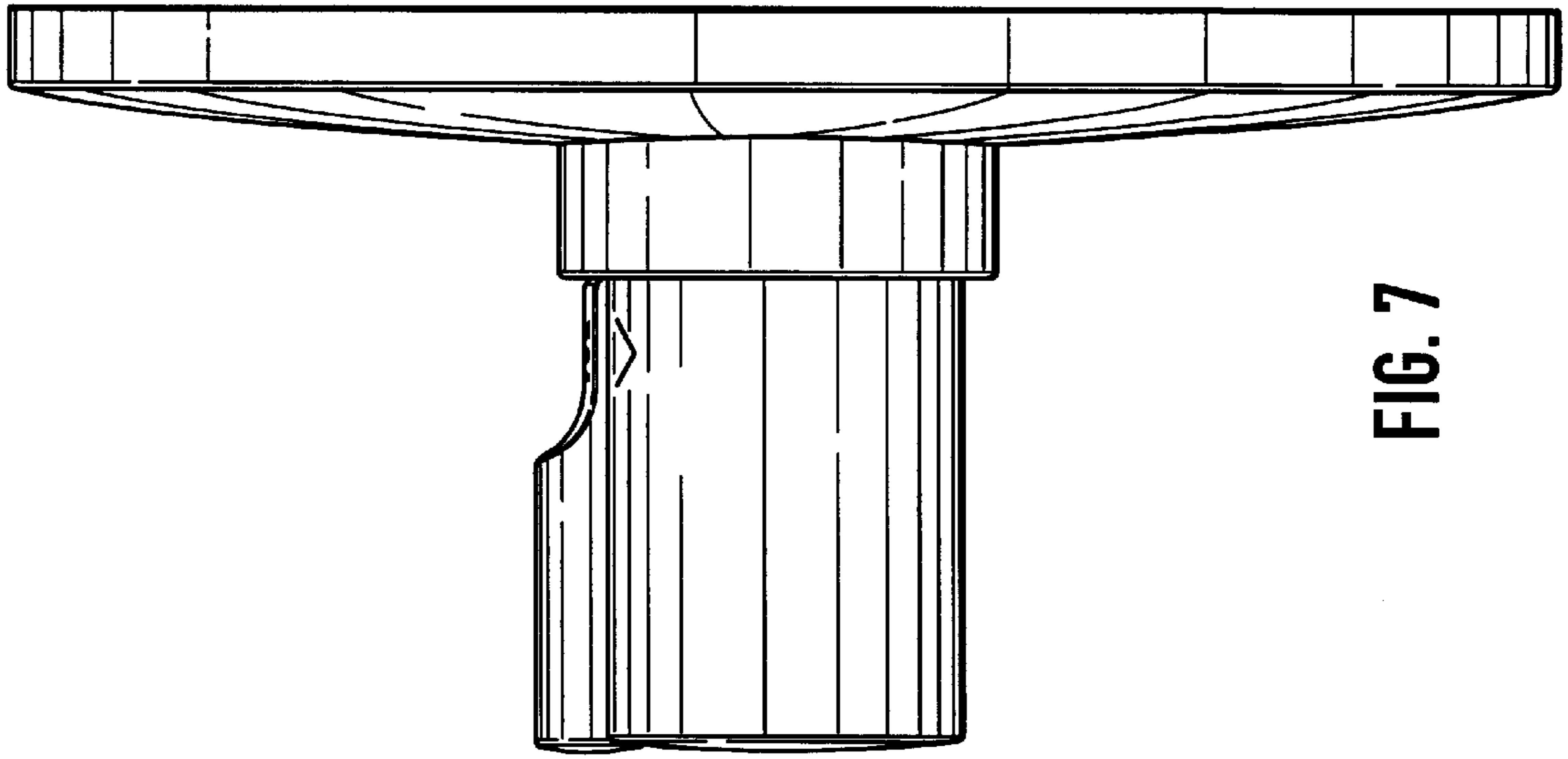


FIG. 7

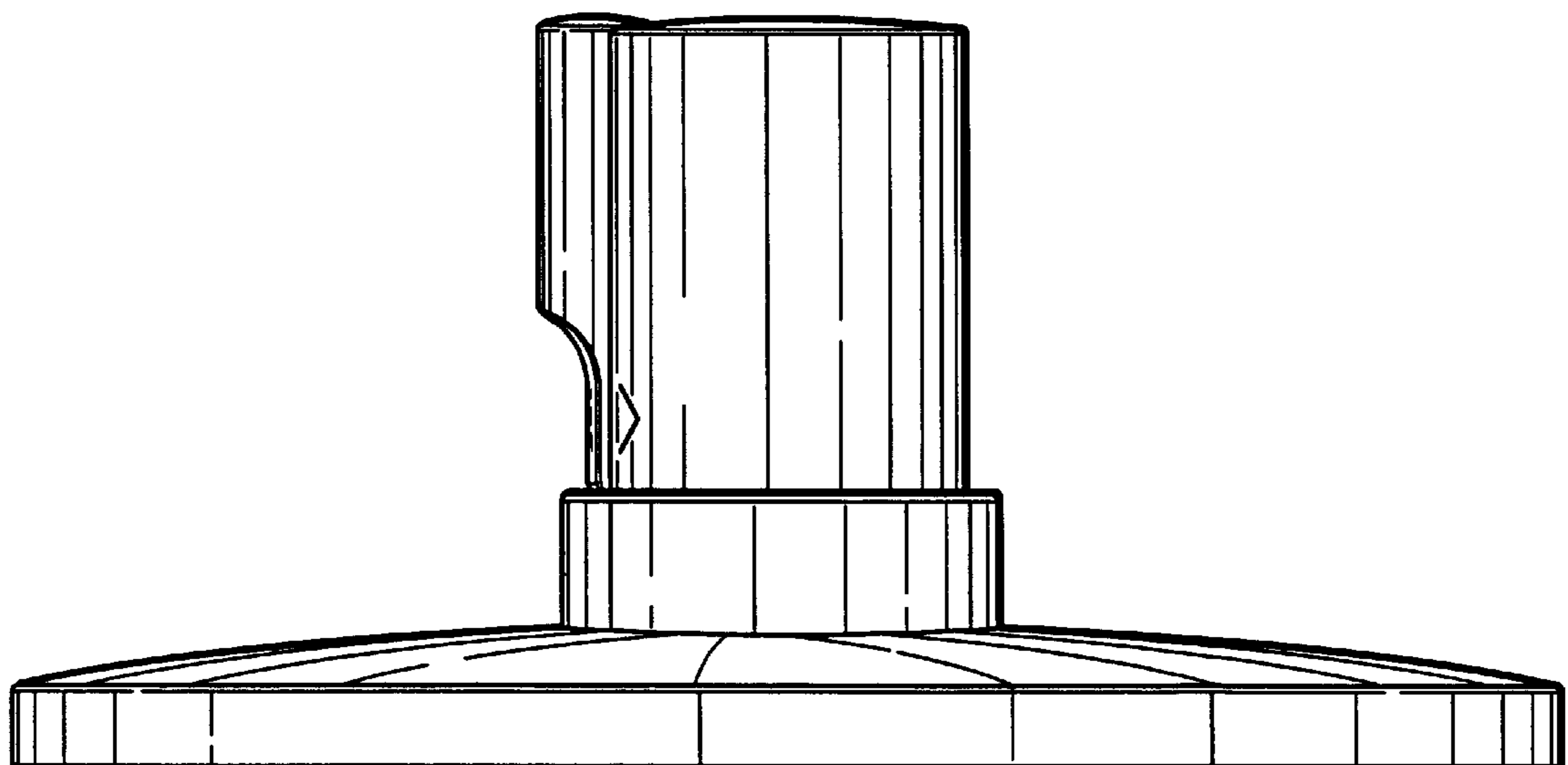


FIG. 6