



US00D450808B1

(12) **United States Design Patent**
Gottwald

(10) **Patent No.:** **US D450,808 S**

(45) **Date of Patent:** **** Nov. 20, 2001**

(54) **FAUCET HANDLE**

(75) **Inventor:** **Adolf Gottwald, Iserlohn (DE)**

(73) **Assignee:** **Friedrich Grohe AG & Co. KG, Hemer (DE)**

(**) **Term:** **14 Years**

(21) **Appl. No.:** **29/141,079**

(22) **Filed:** **Apr. 30, 2001**

(30) **Foreign Application Priority Data**

Nov. 24, 2000 (DE) 4 00 11 047

(51) **LOC (7) Cl.** **23-01**

(52) **U.S. Cl.** **D23/250**

(58) **Field of Search** D23/238-243,
D23/249-254; D8/300-312, 350-353, DIG. 2;
4/675-678; 16/110 R; 137/801; 220/243

(56) **References Cited**

U.S. PATENT DOCUMENTS

D. 76,904 * 11/1928 Smith D23/254
D. 351,218 * 10/1994 Sieger D23/241

D. 405,995 * 2/1999 Harris D8/353
D. 421,099 * 2/2000 Mullenmeister D23/254
D. 436,653 * 1/2001 Lefroy-Brooks D23/241
5,433,333 * 7/1995 Martell 220/243

* cited by examiner

Primary Examiner—Louis S. Zarfaz

Assistant Examiner—Gregory Andoll

(74) *Attorney, Agent, or Firm*—Herbert Dubno

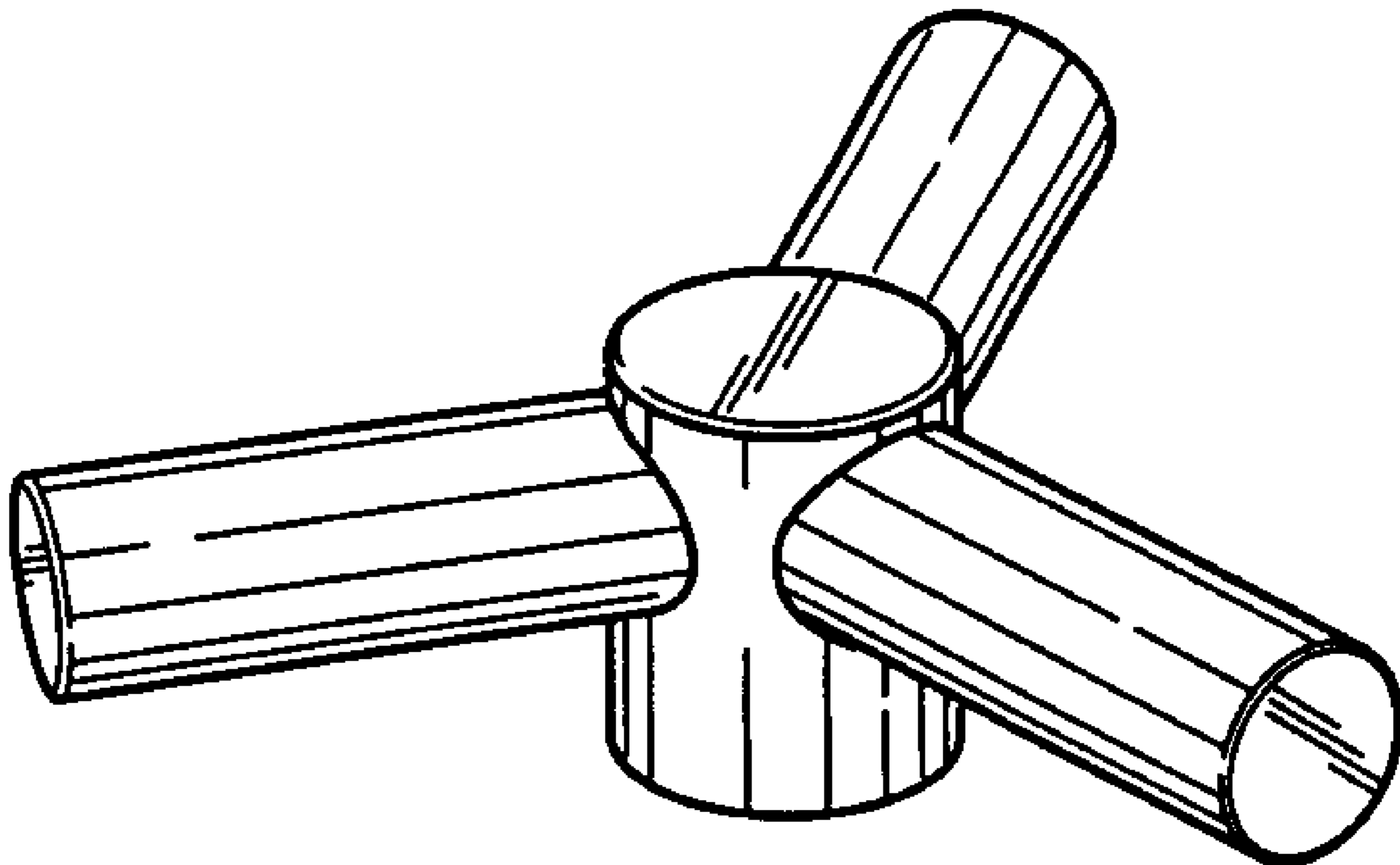
(57) **CLAIM**

The ornamental design for a faucet handle, as shown and described.

DESCRIPTION

FIG. 1 is a top, front, left-side perspective view of a faucet handle showing my new design;
FIG. 2 is a left side elevational view thereof, the right side view being mirror symmetrical thereto;
FIG. 3 is an inverted front elevational view thereof;
FIG. 4 is a top plan view thereof;
FIG. 5 is a rear elevational view thereof; and,
FIG. 6 is a bottom plan view thereof.

1 Claim, 1 Drawing Sheet



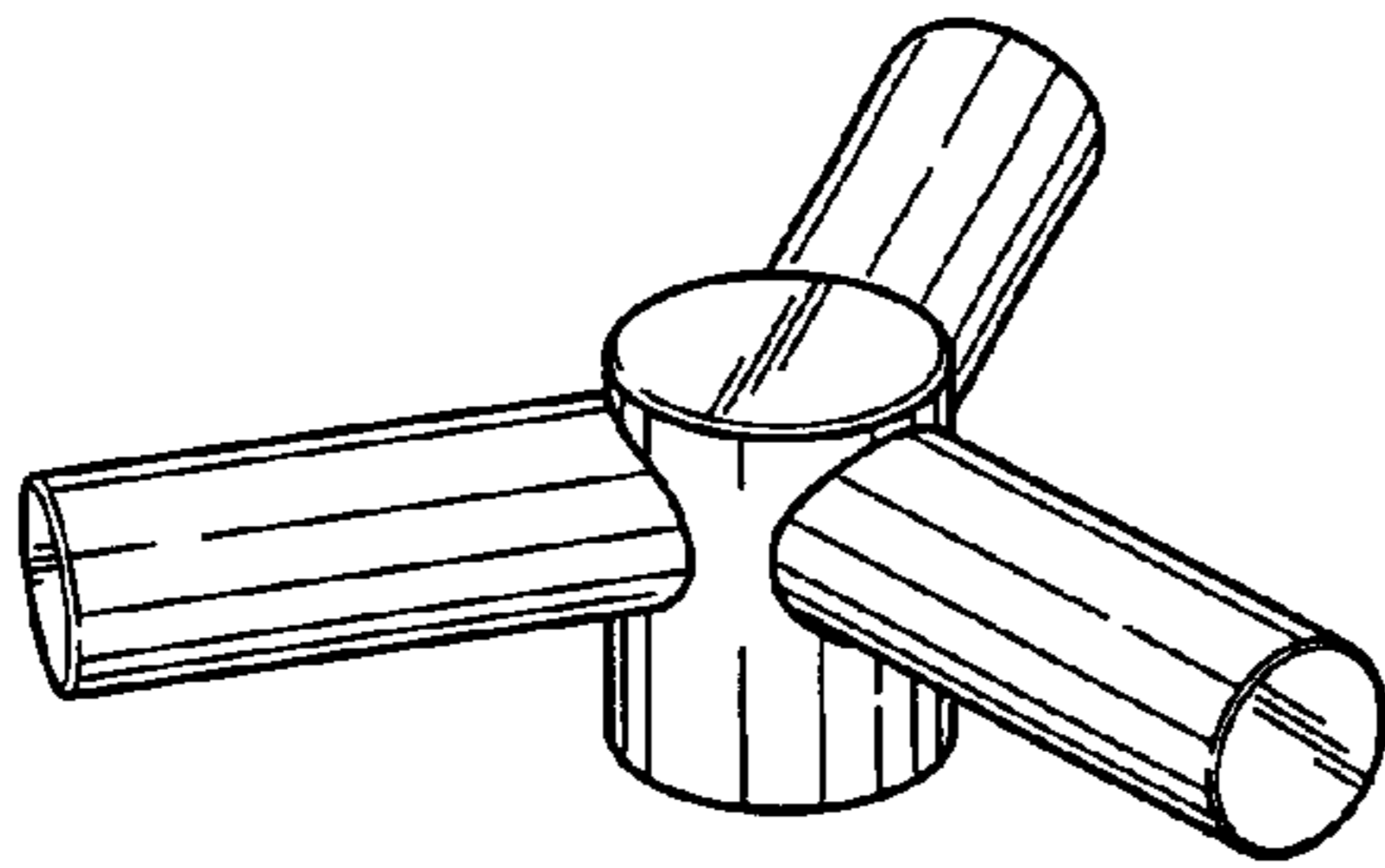


FIG. 1

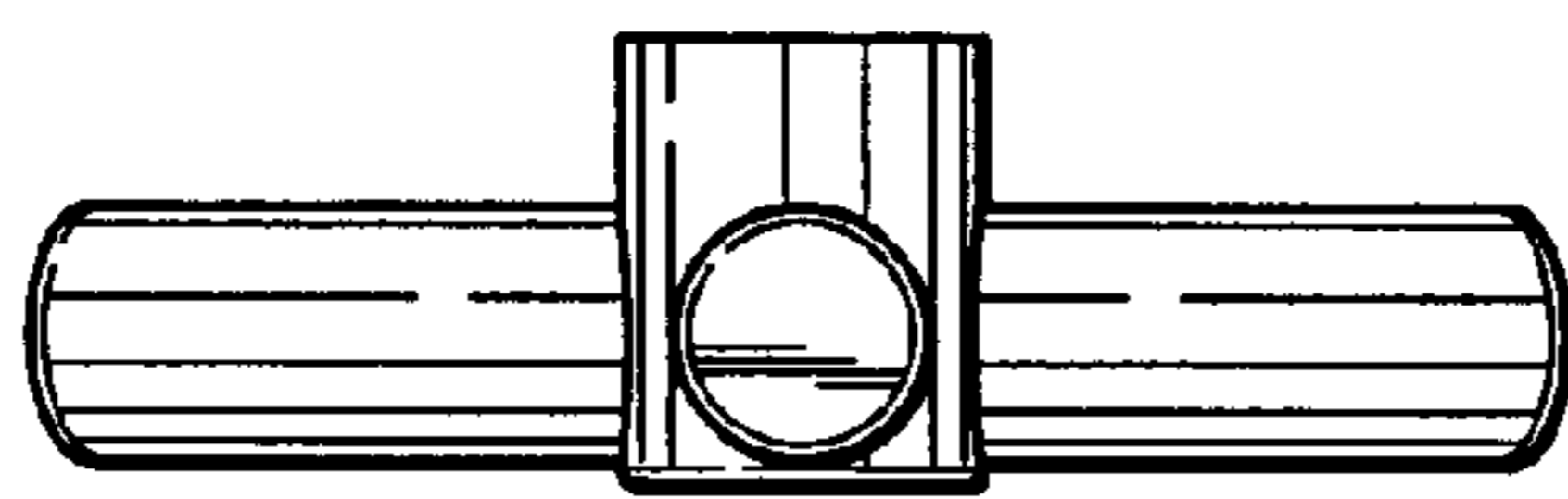


FIG. 3

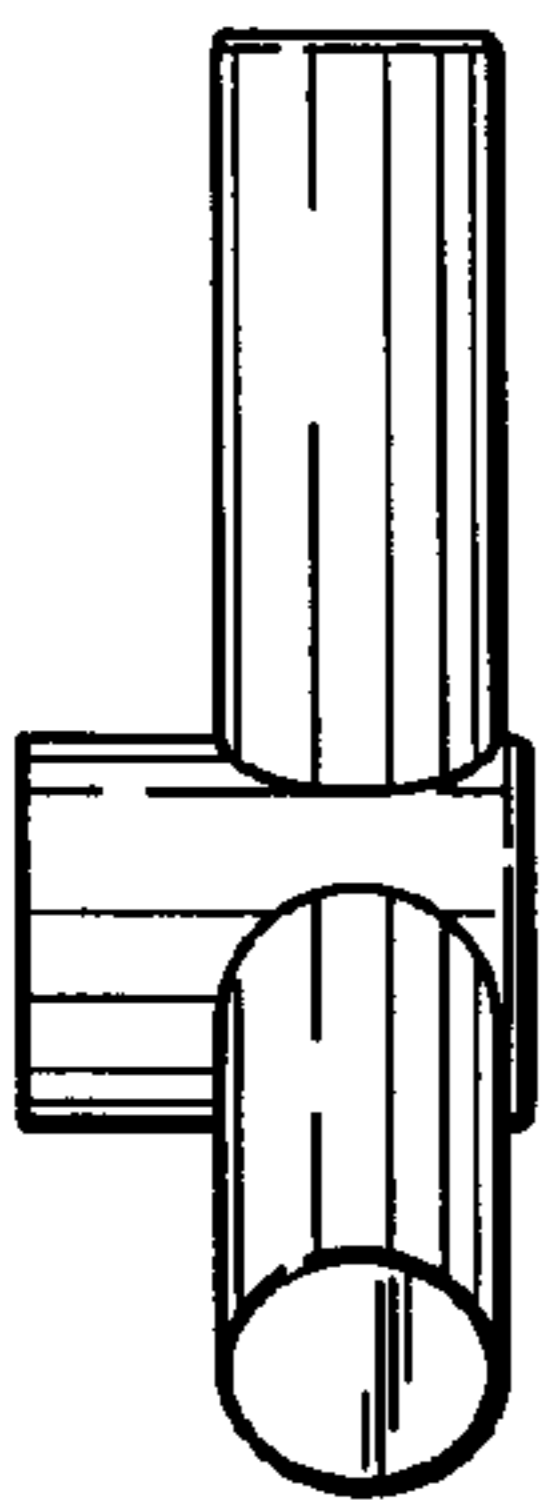


FIG. 2

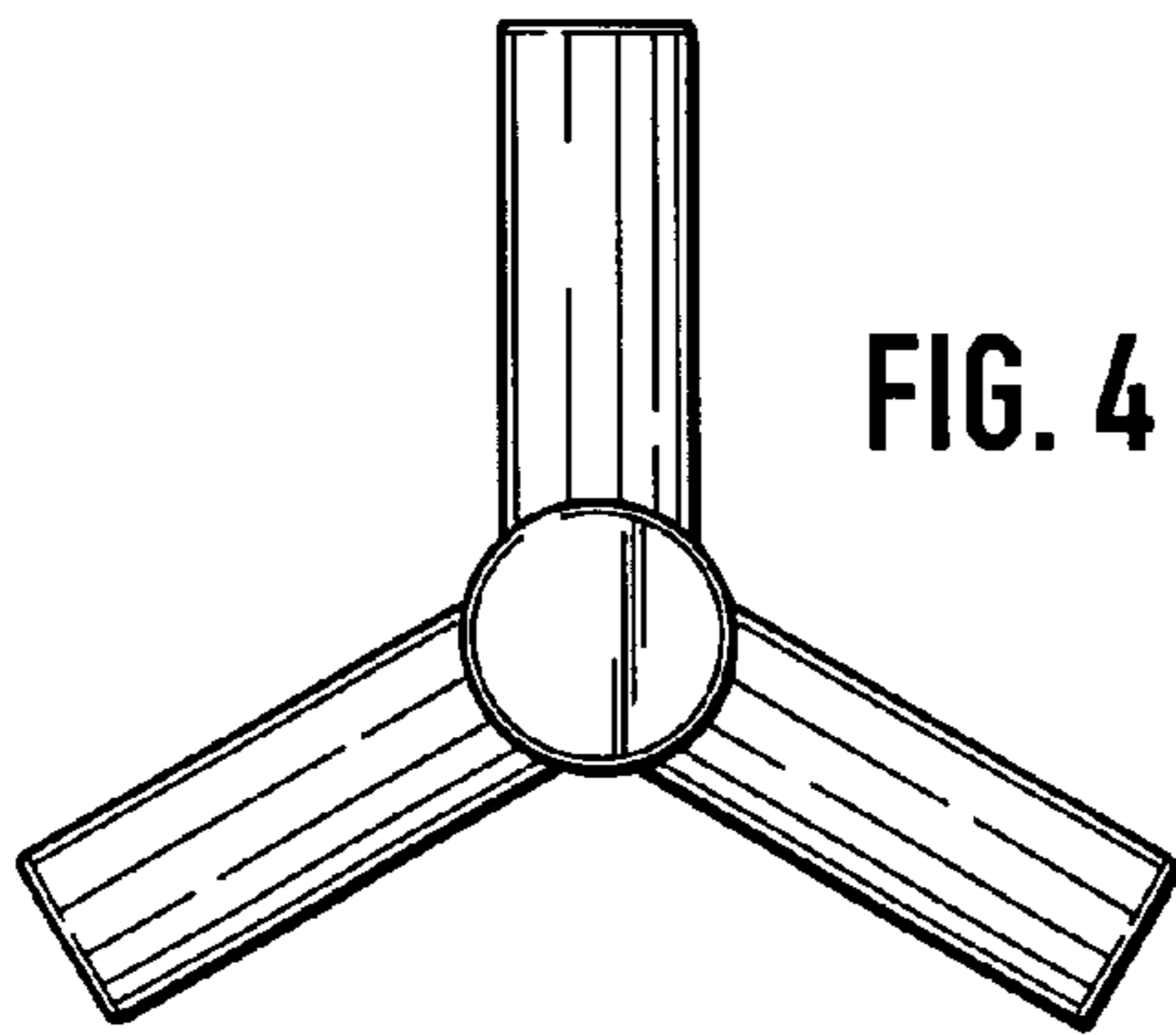


FIG. 4

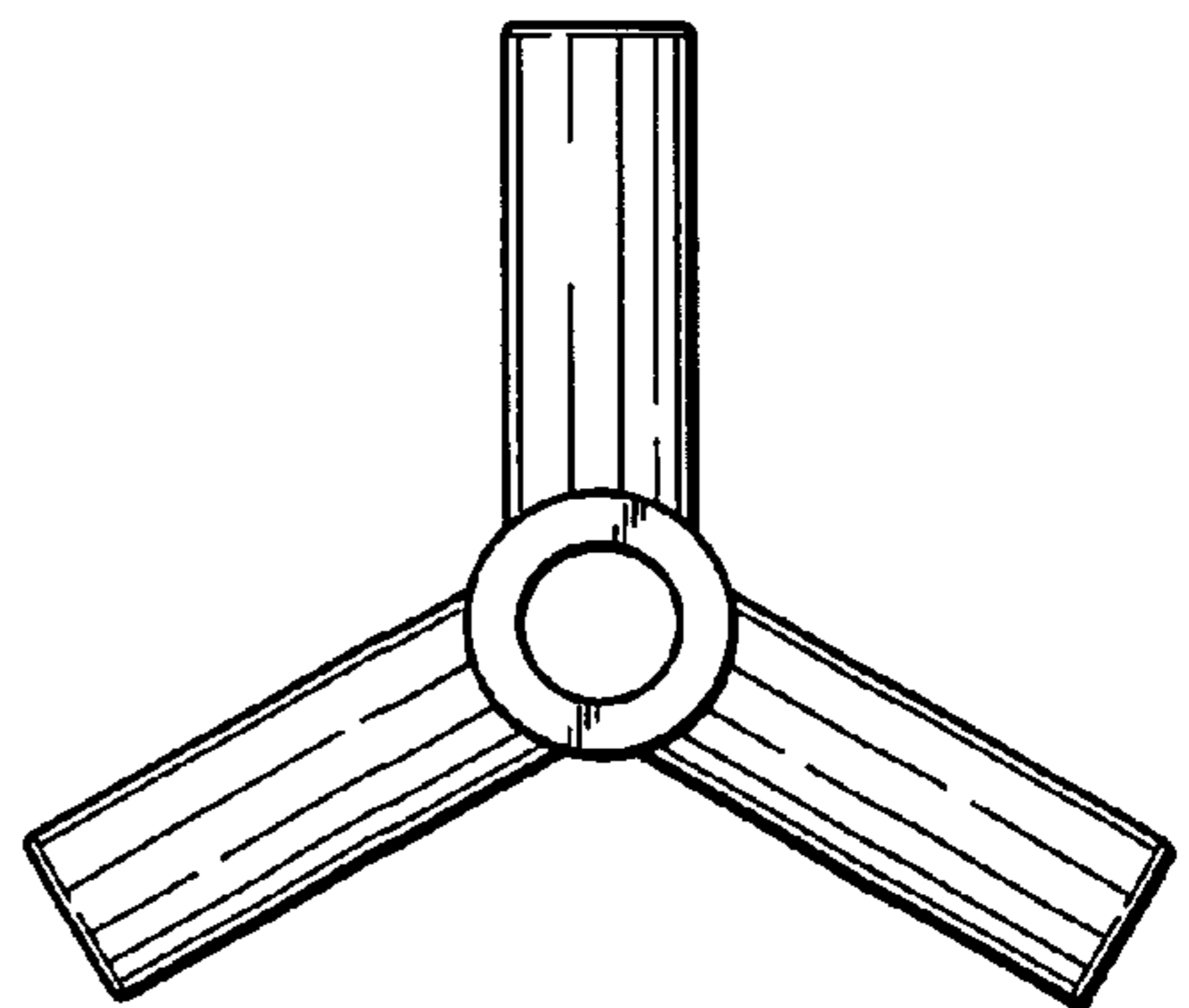


FIG. 6

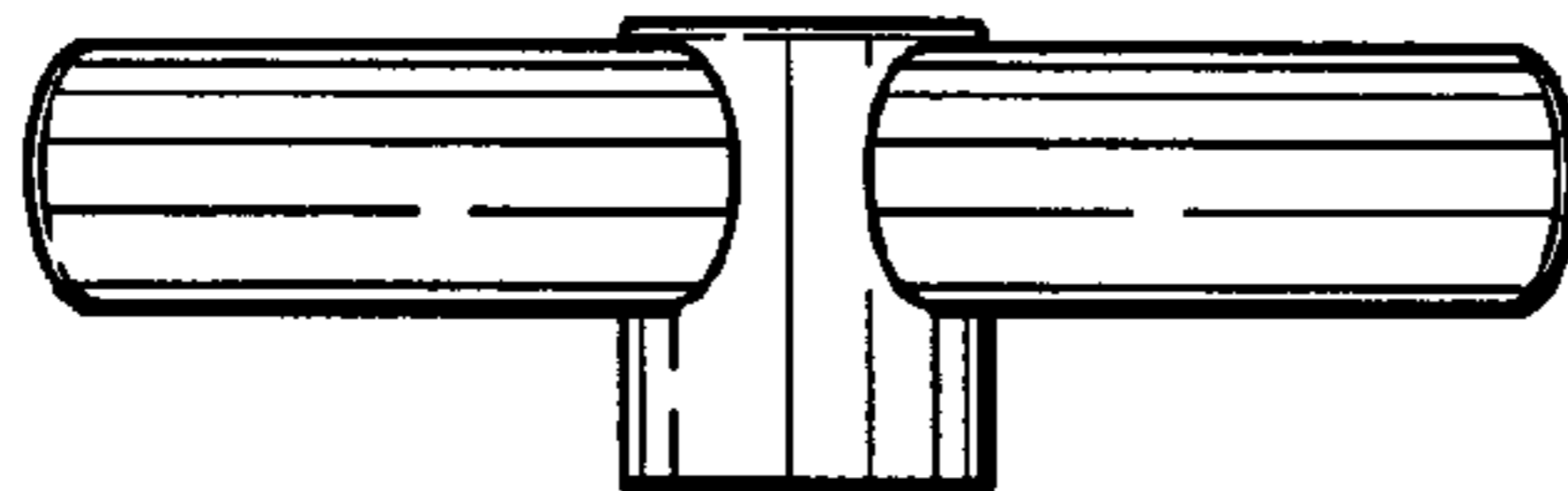


FIG. 5