



US00D450807B1

(12) **United States Design Patent**
Lindholm et al.

(10) **Patent No.:** **US D450,807 S**
(45) **Date of Patent:** **** Nov. 20, 2001**

- (54) **TRADITIONAL STANDARD WALL-MOUNT SHOWER HEAD**
- (75) Inventors: **Jon W. Lindholm**, Chicago; **Antonio J. Belton**, Hazel Crest, both of IL (US)
- (73) Assignee: **Water Pik, Inc.**, Fort Collins, CO (US)
- (**) Term: **14 Years**
- (21) Appl. No.: **29/133,978**
- (22) Filed: **Dec. 12, 2000**
- (51) **LOC (7) Cl.** **23-01**
- (52) **U.S. Cl.** **D23/229**
- (58) **Field of Search** D23/213, 223, D23/226, 229, 230; 239/461, 462, 394
- (56) **References Cited**

- D. 330,409 10/1992 Raffo .
- D. 332,303 1/1993 Klose .
- D. 332,994 2/1993 Huen D23/223
- D. 333,339 2/1993 Klose .
- D. 334,794 4/1993 Klose .
- D. 339,492 9/1993 Klose .
- D. 339,627 9/1993 Klose .
- D. 339,848 9/1993 Gottwald .
- D. 340,376 10/1993 Klose .
- D. 341,007 11/1993 Haug et al. .
- D. 341,191 11/1993 Klose .
- D. 347,265 5/1994 Gottwald .
- D. 348,720 7/1994 Haug et al. D23/223

(List continued on next page.)

FOREIGN PATENT DOCUMENTS

- 3440901 7/1985 (DE) .
- 726811 8/1996 (EP) .
- 873808 7/1942 (FR) .
- 1039750 10/1953 (FR) .
- 2066704 7/1981 (GB) .

U.S. PATENT DOCUMENTS

- D. 126,433 4/1941 Enthof .
- 204,333 5/1878 Josias .
- D. 237,708 11/1975 Grohe et al. D23/35
- D. 245,858 9/1977 Grube D23/35
- D. 245,860 9/1977 Grube D23/35
- D. 251,045 2/1979 Grube .
- D. 255,626 7/1980 Grube .
- D. 258,677 3/1981 Larsson .
- D. 261,300 10/1981 Klose D23/35
- D. 261,417 10/1981 Klose D23/213
- D. 266,212 9/1982 Haug .
- D. 267,582 1/1983 Mackay et al. .
- D. 268,611 4/1983 Klose .
- D. 274,457 6/1984 Haug .
- D. 295,437 4/1988 Fabian .
- D. 296,582 7/1988 Haug et al. .
- D. 313,267 12/1990 Lenci et al. D23/213
- D. 315,191 3/1991 Mikol D23/213
- D. 317,348 6/1991 Geneve et al. .
- D. 322,119 12/1991 Haug et al. .
- D. 323,545 * 1/1992 Ward D23/213
- D. 325,769 4/1992 Haug et al. D23/213
- D. 325,770 4/1992 Haug et al. D23/213
- D. 326,311 5/1992 Lenci et al. D23/223
- D. 327,729 7/1992 Rogers D23/223

OTHER PUBLICATIONS

Color Copy, Labeled 1A, Gemlo, available at least as early as the filing date.

Color Copy, Labeled 1B, Gemlo, available at least as early as the filing date.

Primary Examiner—Robin V. Taylor

(74) *Attorney, Agent, or Firm*—Dorsey & Whitney LLP

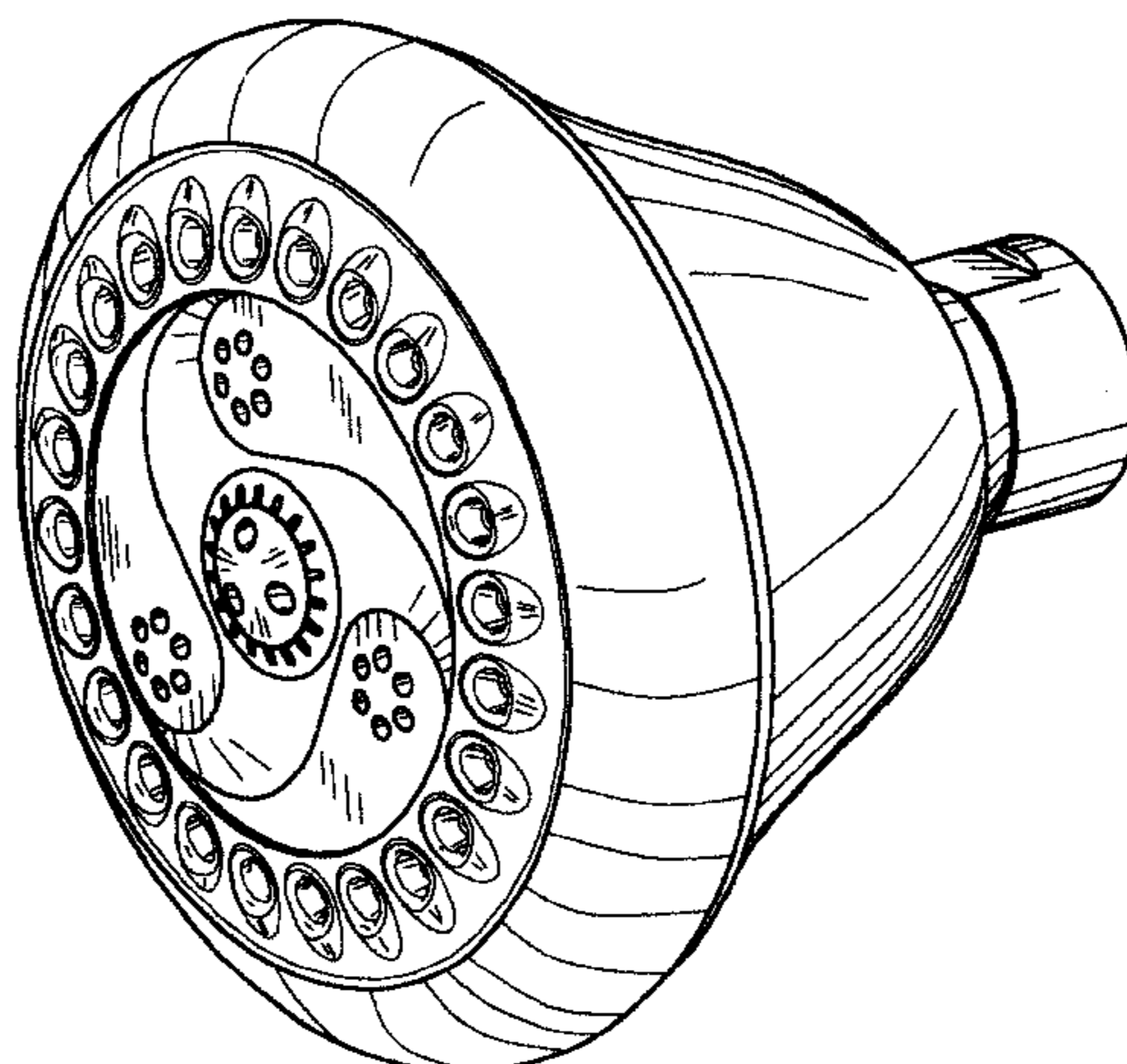
(57) **CLAIM**

The ornamental design for a traditional standard wall-mount shower head, as shown and described.

DESCRIPTION

FIG. 1 is a right-side perspective view of a traditional standard wall-mount shower head showing our new design; FIG. 2 is a front elevation view thereof; FIG. 3 is a left side elevation view thereof, of which the right side elevation view is a mirror image; FIG. 4 is a top plan view thereof; FIG. 5 is a rear elevation view thereof; and, FIG. 6 is a bottom plan view thereof.

1 Claim, 3 Drawing Sheets



US D450,807 S

Page 2

U.S. PATENT DOCUMENTS					
			4,165,837	8/1979	Rundzaitis 239/449
			4,174,822	11/1979	Larsson .
D. 349,947	8/1994	Hing-Wah D23/223	4,209,132	6/1980	Kwan 239/381
D. 352,347	11/1994	Dannenburg D23/223	4,254,914	3/1981	Shames et al. 239/383
D. 355,703	2/1995	Duell .	4,303,201	12/1981	Elkins et al. 239/391
D. 361,623	8/1995	Huen .	4,319,608	3/1982	Raikov et al. 251/126
D. 367,315	2/1996	Andrus .	4,614,303	9/1986	Moseley, Jr. et al. 239/499
D. 367,696	3/1996	Andrus D23/223	4,657,185	4/1987	Rundzaitis 239/438
D. 369,204	4/1996	Andrus .	4,703,893	11/1987	Gruber 239/391
D. 369,205	4/1996	Andrus .	4,719,654	1/1988	Blessing .
D. 370,052	5/1996	Chan et al. D23/223	4,754,928	7/1988	Rogers et al. 239/381
D. 374,271	10/1996	Fleischmann .	4,787,591	11/1988	Villacorta .
D. 375,541	11/1996	Michaluk D23/213	4,914,759	4/1990	Goff .
D. 381,737	7/1997	Chan D23/223	4,953,585	9/1990	Rollini et al. 137/218
D. 382,936	8/1997	Shfaram .	4,964,573	10/1990	Lipski .
D. 385,332	10/1997	Andrus .	5,033,897	7/1991	Chen 137/218
D. 385,333	10/1997	Caroen et al. .	5,141,016	8/1992	Nowicki 137/872
D. 385,616 *	10/1997	Dow et al. D23/229	5,172,866	12/1992	Ward 239/446
D. 385,947	11/1997	Dow et al. D23/223	5,232,162	8/1993	Chih 239/394
D. 387,230	12/1997	von Beulow et al. .	5,246,169	9/1993	Heimann et al. 239/447
D. 389,558	1/1998	Andrus .	5,265,833	11/1993	Heimann et al. .
D. 395,074	6/1998	Neilbrook D23/229	5,277,391	1/1994	Haug et al. .
D. 408,893 *	4/1999	Tse D23/229	5,294,054	3/1994	Benedict et al. 239/446
D. 434,109 *	11/2000	Ko D23/229	5,297,735	3/1994	Heimann et al. .
D. 435,889 *	1/2001	Ben-Tsur et al. D23/229	5,340,064	8/1994	Heimann et al. .
D. 443,025 *	5/2001	Kollmann et al. D23/229	5,344,080	9/1994	Matsui 239/449
D. 443,029 *	5/2001	Kollmann et al. D23/229	5,397,064	3/1995	Heitzman 239/381
566,384	8/1896	Engelhart .	5,398,872	3/1995	Joubran 239/99
1,203,466	10/1916	Benson .	5,433,384	7/1995	Chan et al. .
1,459,582	6/1923	Dubee .	5,476,225	12/1995	Chan .
2,216,149	10/1940	Weiss .	5,481,765	1/1996	Wang .
2,567,642	9/1951	Penshaw 299/141	5,499,767	3/1996	Morand 239/383
3,098,508	7/1963	Gerdes 137/625.32	5,507,436	4/1996	Ruttenberg 239/1
3,404,410	10/1968	Sumida .	5,551,637	9/1996	Lo 239/394
3,550,863	12/1970	McDermott 239/562	5,558,278	9/1996	Gallorini 239/553.3
3,826,454	7/1974	Zieger .	5,577,664	11/1996	Heitzman 239/99
3,865,310	2/1975	Elkins et al. .	5,613,639	3/1997	Storm et al. 239/581.1
3,967,783	7/1976	Halsted et al. 239/447	5,632,049	5/1997	Chen .
3,979,096	9/1976	Zieger .	5,653,260	8/1997	Huber .
3,998,390	12/1976	Peterson et al. 239/443	5,704,080	1/1998	Kuhne .
4,081,135	3/1978	Tomaro 239/102	5,718,380	2/1998	Schorn et al. 239/117
4,084,271	4/1978	Ginsberg 4/161	5,749,552	5/1998	Fan .
4,091,998	5/1978	Peterson .	5,918,811	7/1999	Denham et al. 239/444
4,117,979	10/1978	Lagarelli et al. 239/449			
4,151,955	5/1979	Stouffer 239/11			
4,151,957	5/1979	Gecewicz et al. 239/381			

* cited by examiner

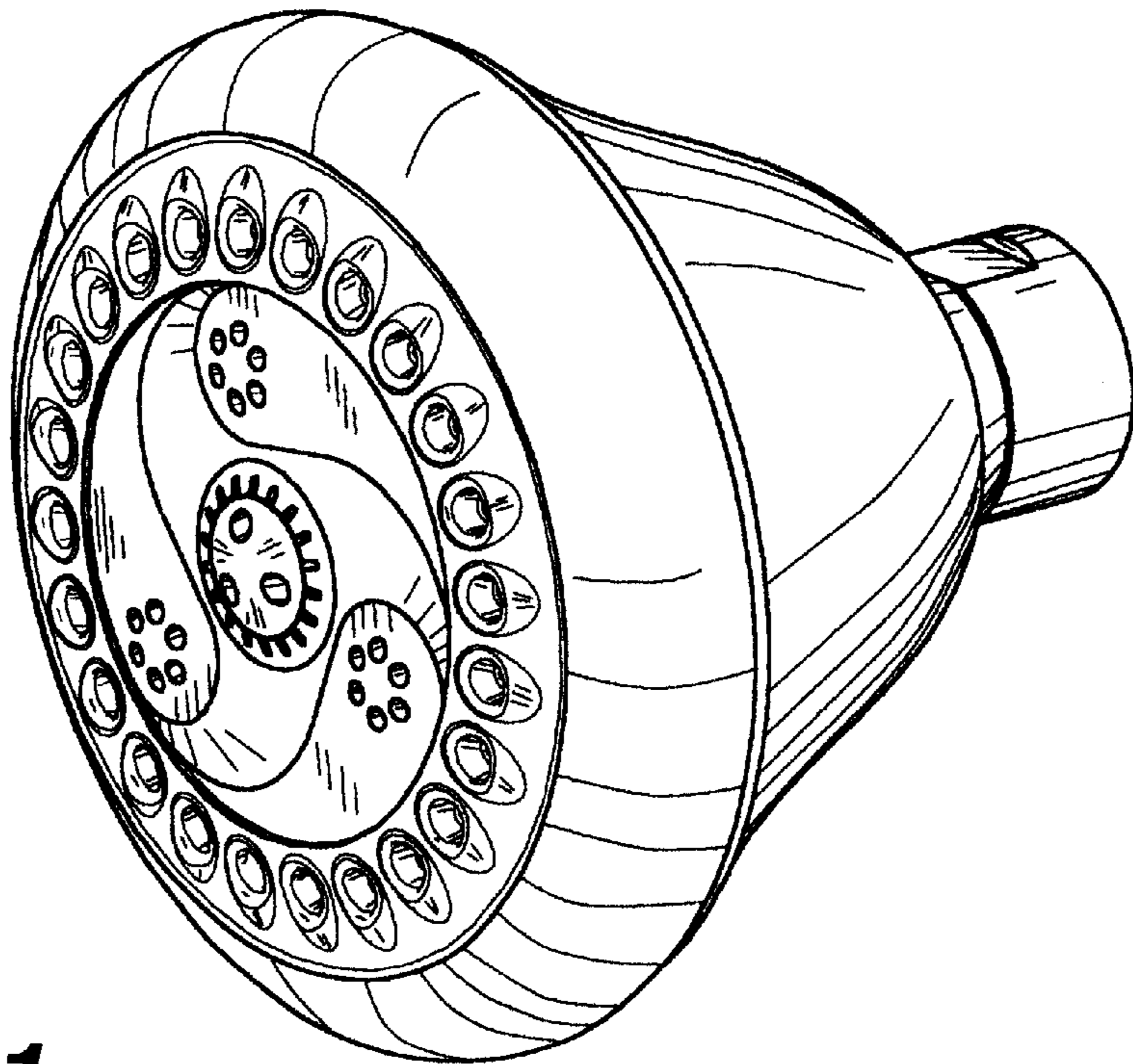


Fig. 1

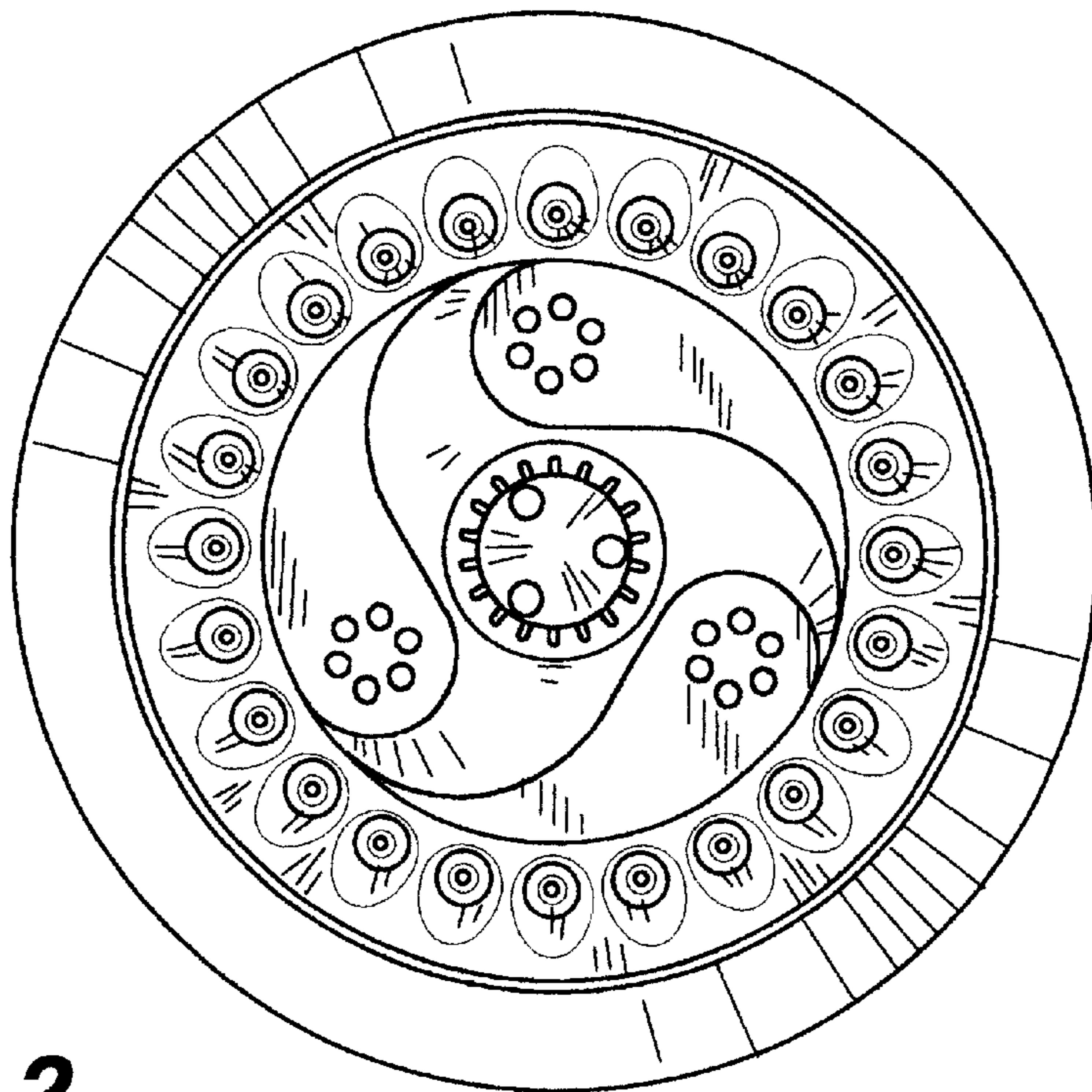


Fig. 2

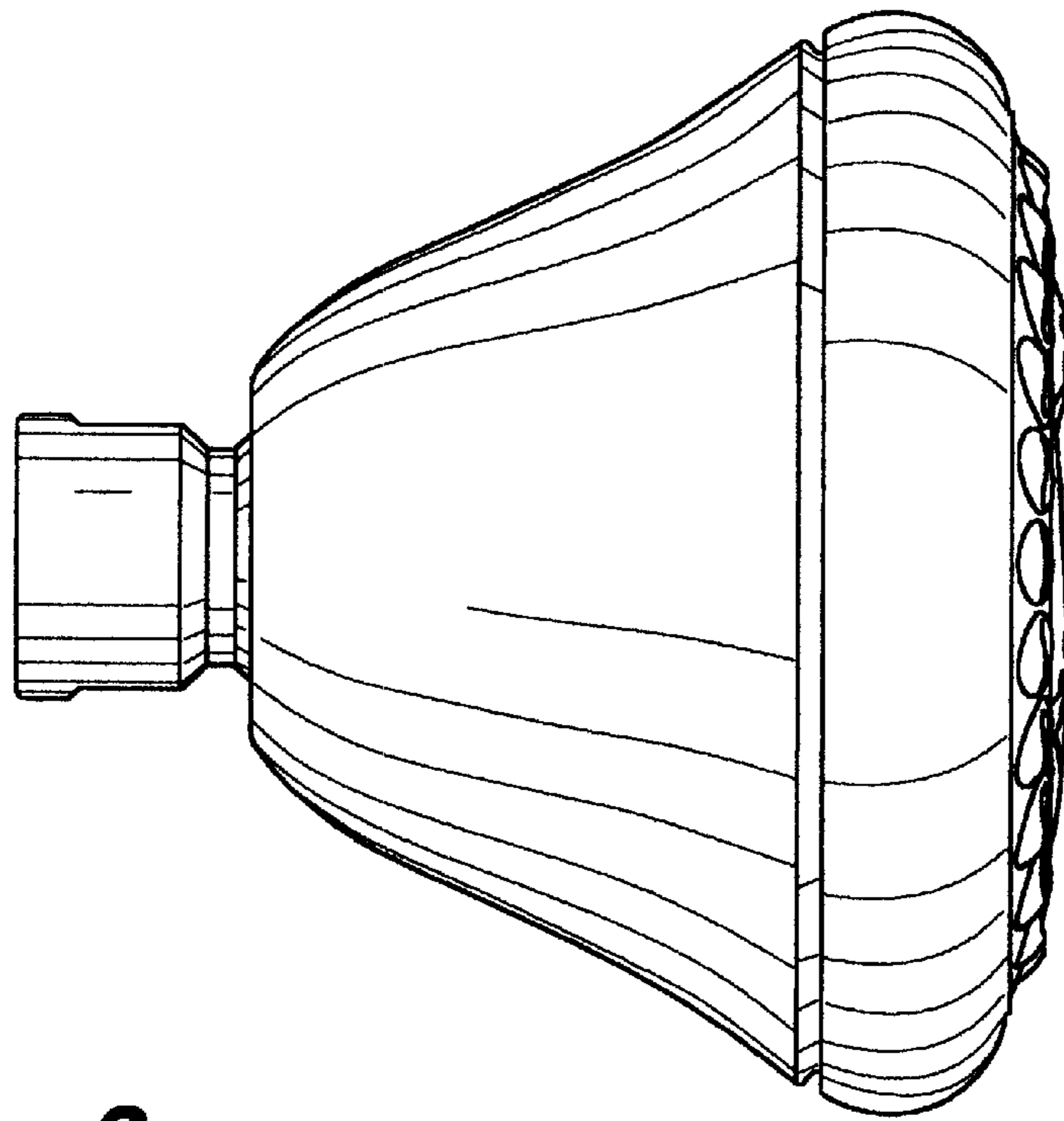


Fig. 3

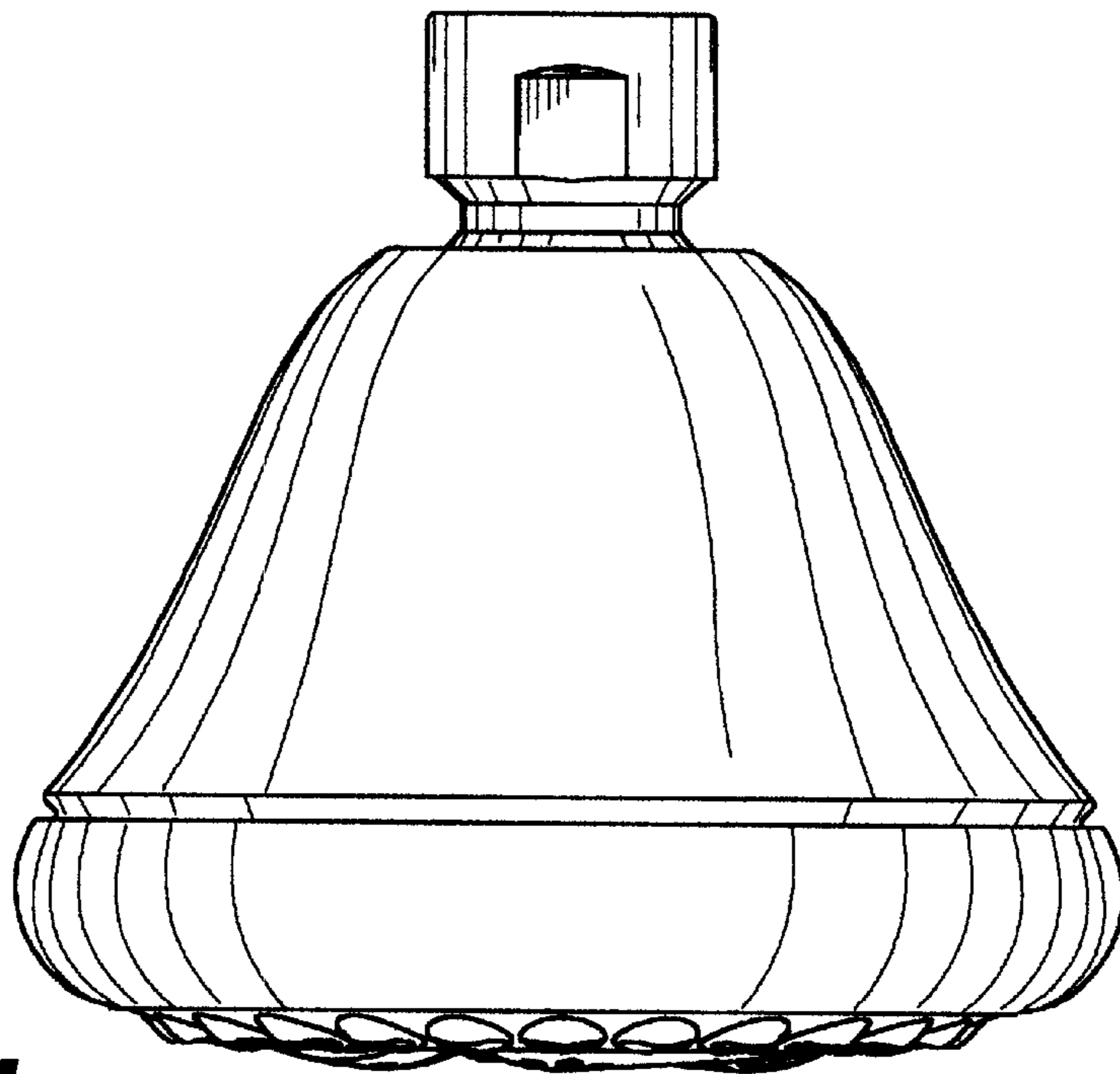


Fig. 4

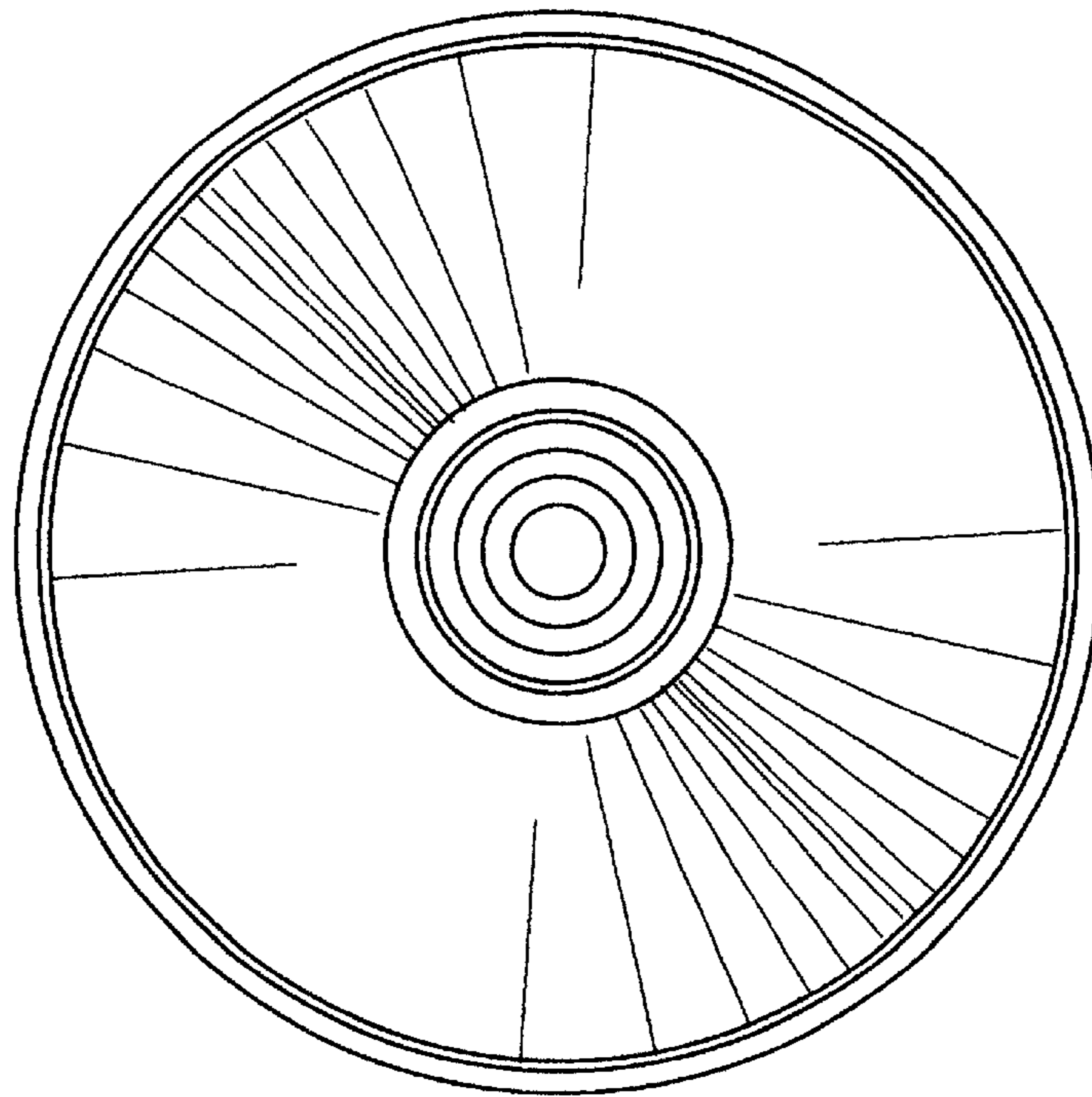


Fig. 5

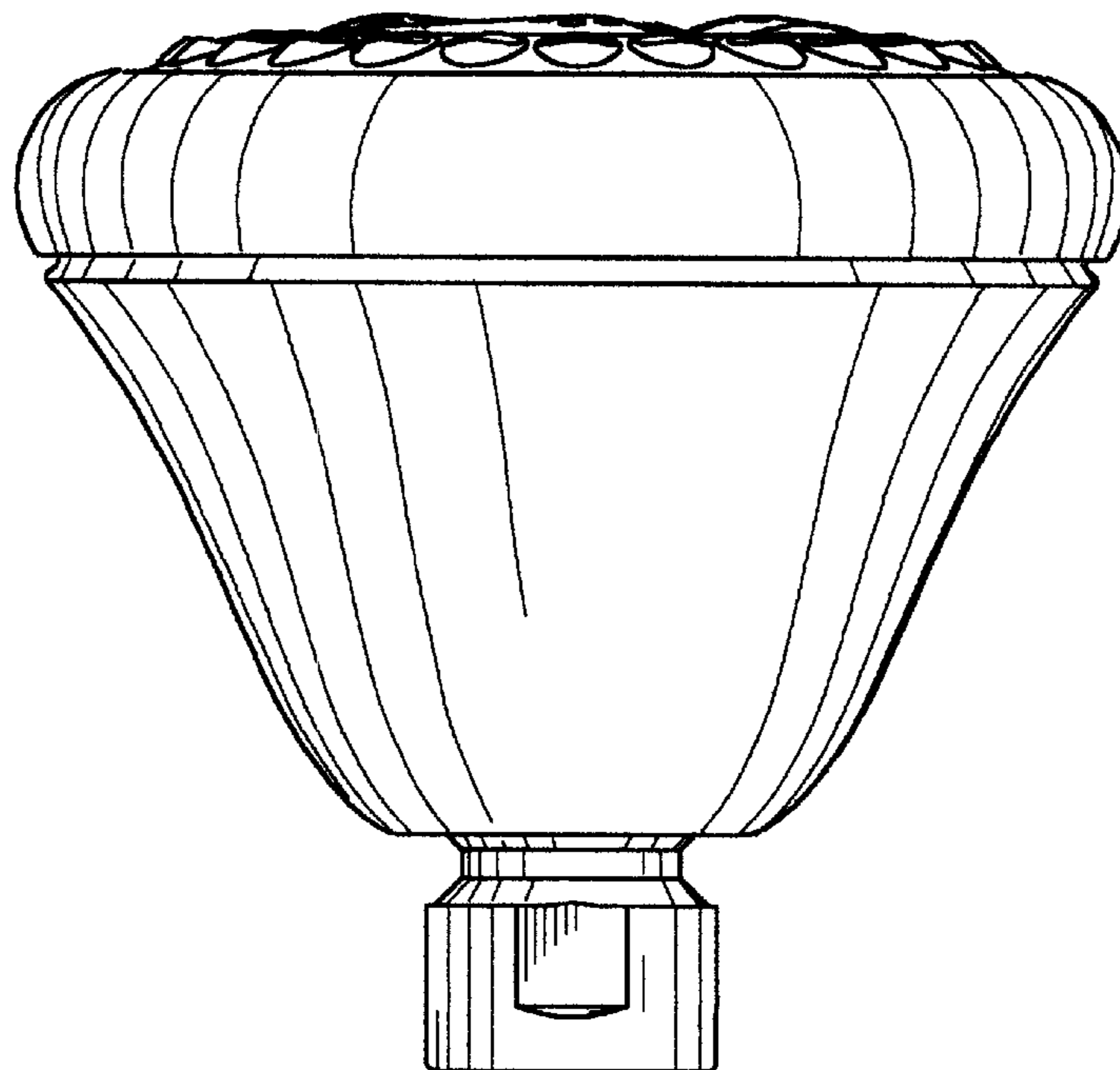


Fig. 6