



US00D450804B1

(12) **United States Design Patent**
Srinath et al.

(10) **Patent No.:** **US D450,804 S**

(45) **Date of Patent:** **** Nov. 20, 2001**

(54) **FLUIDIC SPA NOZZLE**

(75) Inventors: **Dharapuram N. Srinath**, Ellicott City, MD (US); **Sean T. Burns**, Columbia, SC (US)

(73) Assignee: **Bowles Fluidics Corporation**, Columbia, MD (US)

(**) Term: **14 Years**

(21) Appl. No.: **29/124,423**

(22) Filed: **Jun. 6, 2000**

(51) **LOC (7) Cl.** **23-01**

(52) **U.S. Cl.** **D23/213; D24/201**

(58) **Field of Search** **D23/213; D24/201; 4/541.1, 541.3, 541.5, 541.6, 492**

(56) **References Cited**

U.S. PATENT DOCUMENTS

D. 254,928	*	5/1980	Mathis	D23/213
4,613,169	*	9/1986	Englehart	4/541.1
5,291,621	*	3/1994	Mathis	4/541.4
5,742,953	*	4/1998	Loizeaux et al.	4/541.1
5,862,543	*	1/1999	Reynoso et al.	4/541.6
5,915,849	*	6/1999	Dongo	4/541.6
5,920,924		7/1999	Pinciario	4/541.6

OTHER PUBLICATIONS

Handbook of Pictorial Symbols; symbol TA; p. 74, 1976.*
Shower head nozzle—Sold by BFC more than a year prior to the filing date of present application.

“What Make Watertech so Durable?” (one sheet) [Origin unknown], published prior to invention.

Swimming Pool/SPA Age, Nov. 1999, p. 89.

Pool & Spa Marketing, Summer 1998, p. 47.

“Therapeutic”, 1 sheet, [origin unknown] Publication date: prior to invention.

“The Inside Out”, one sheet, [origin unknown] Publication date: prior to invention.

“Ultimate Enjoyment”, one sheet, [origin unknown] Publication date: prior to invention.

“L200 Series Features & Benefits”, one sheet, [origin unknown] Publication date: prior to invention.

“L500 Series Features & Benefits”, one sheet, [origin unknown] Publication date: prior to invention.

“The Art of Hydrotherapy”, one sheet, [origin unknown] Publication date: prior to invention.

“Hydromassage—Let the Water Tame you”, one sheet, [origin unknown] Publication date: prior to invention.

Depiction of portion of a spa, one sheet, [origin unknown] Publication date: prior to invention.

* cited by examiner

Primary Examiner—Robin V. Taylor

(74) *Attorney, Agent, or Firm*—Jim Zegeer

(57) **CLAIM**

The ornamental design for a fluidic spa nozzle, as shown and described.

DESCRIPTION

FIG. 1 is a perspective view of a first embodiment of a fluidic spa nozzle incorporating our design as mounted in a wall of a spa or hot tub,

FIG. 2 is a front view of the spa nozzle shown in FIG. 1, FIG. 3 is a side view of the fluidic spa nozzle shown in FIGS. 1, 2, 4 and 5, the top and bottom views being identical,

FIG. 4 is a perspective view of a second embodiment of a fluidic spa nozzle incorporating our design as mounted in a wall of a spa or hot tub; and,

FIG. 5 is a front view of the fluidic spa nozzle shown in FIG. 5.

The broken lines shown are for illustrative purposes only and forms no part of the claimed design.

1 Claim, 2 Drawing Sheets

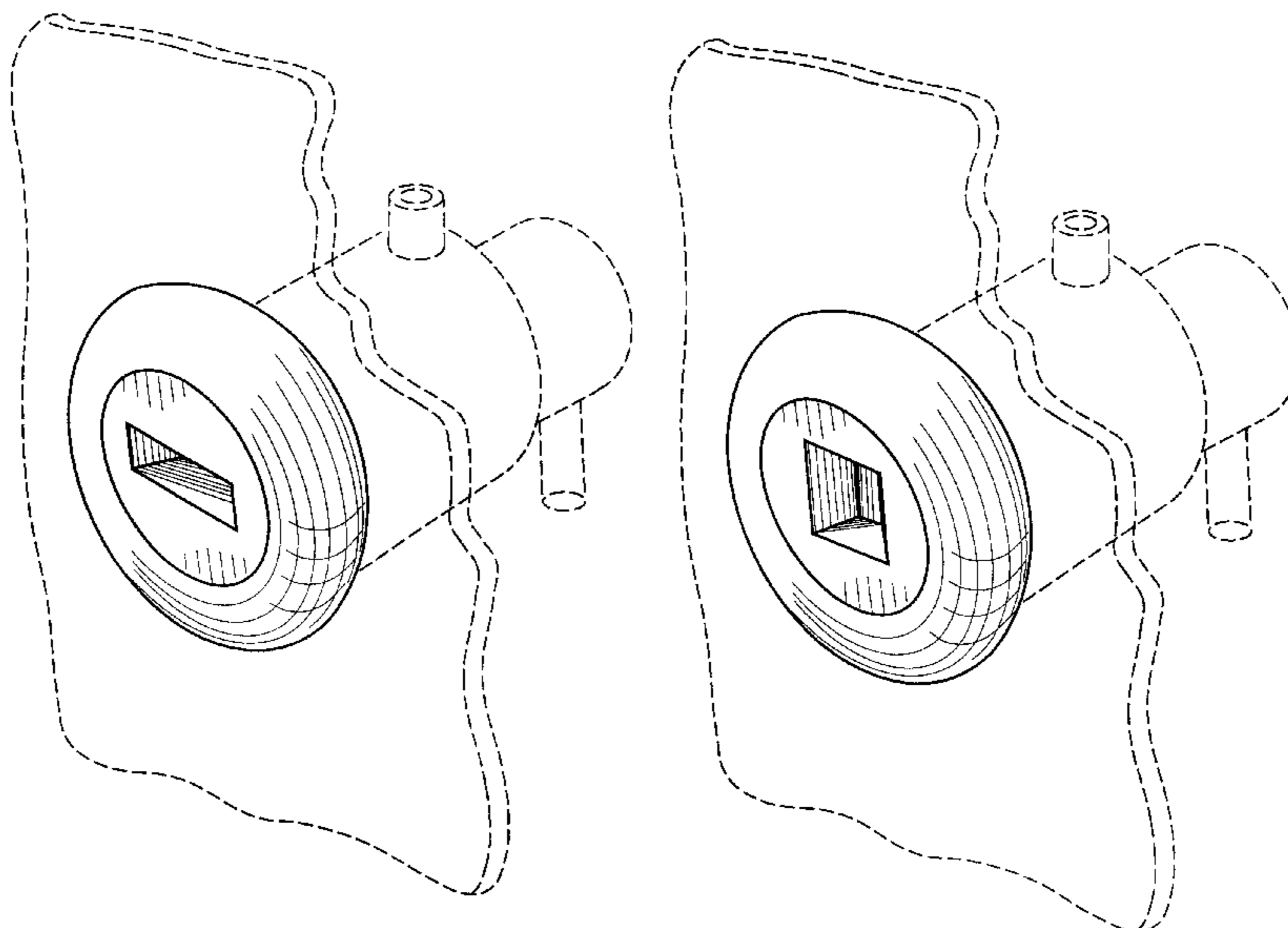


FIG. 1

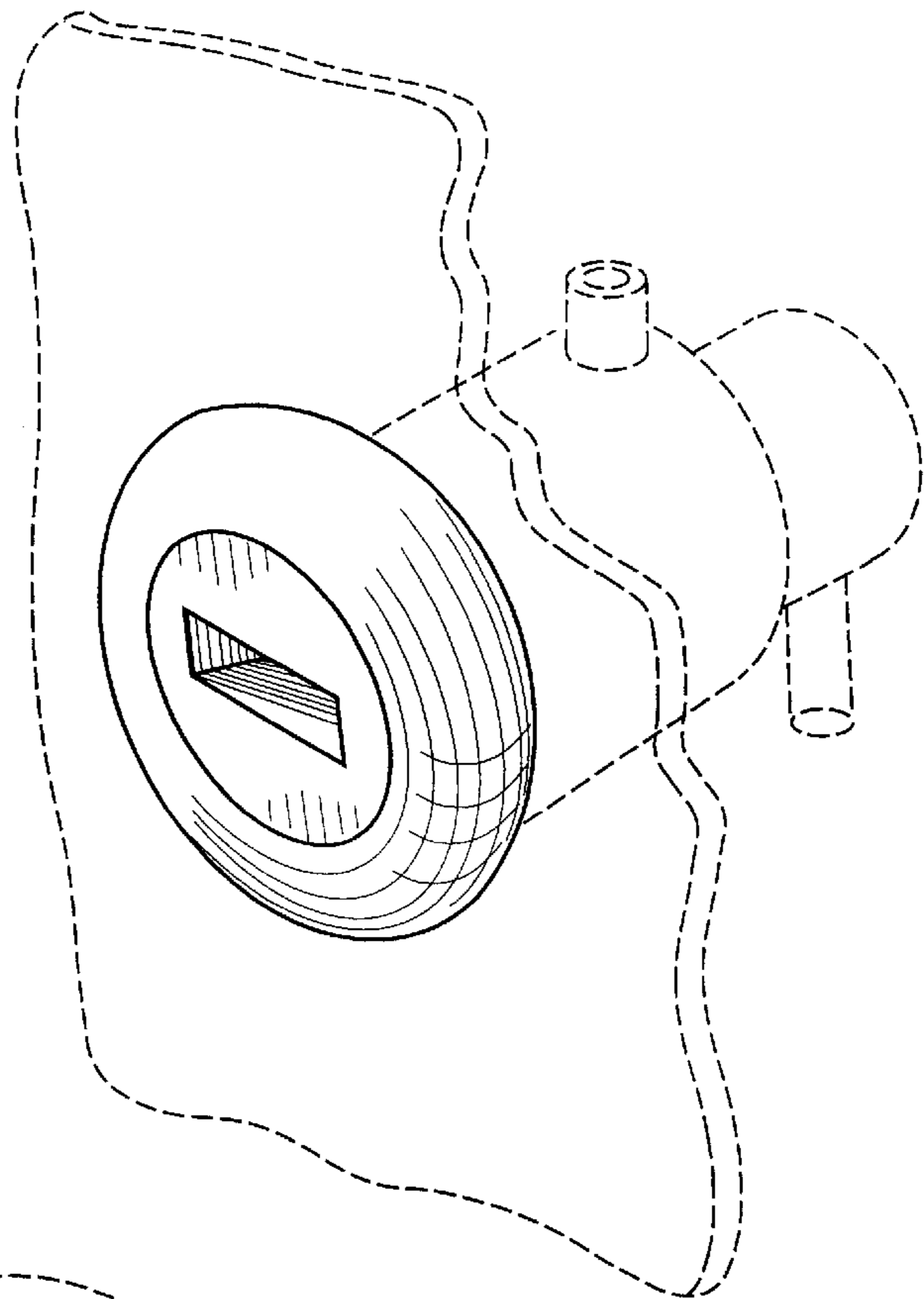


FIG. 2

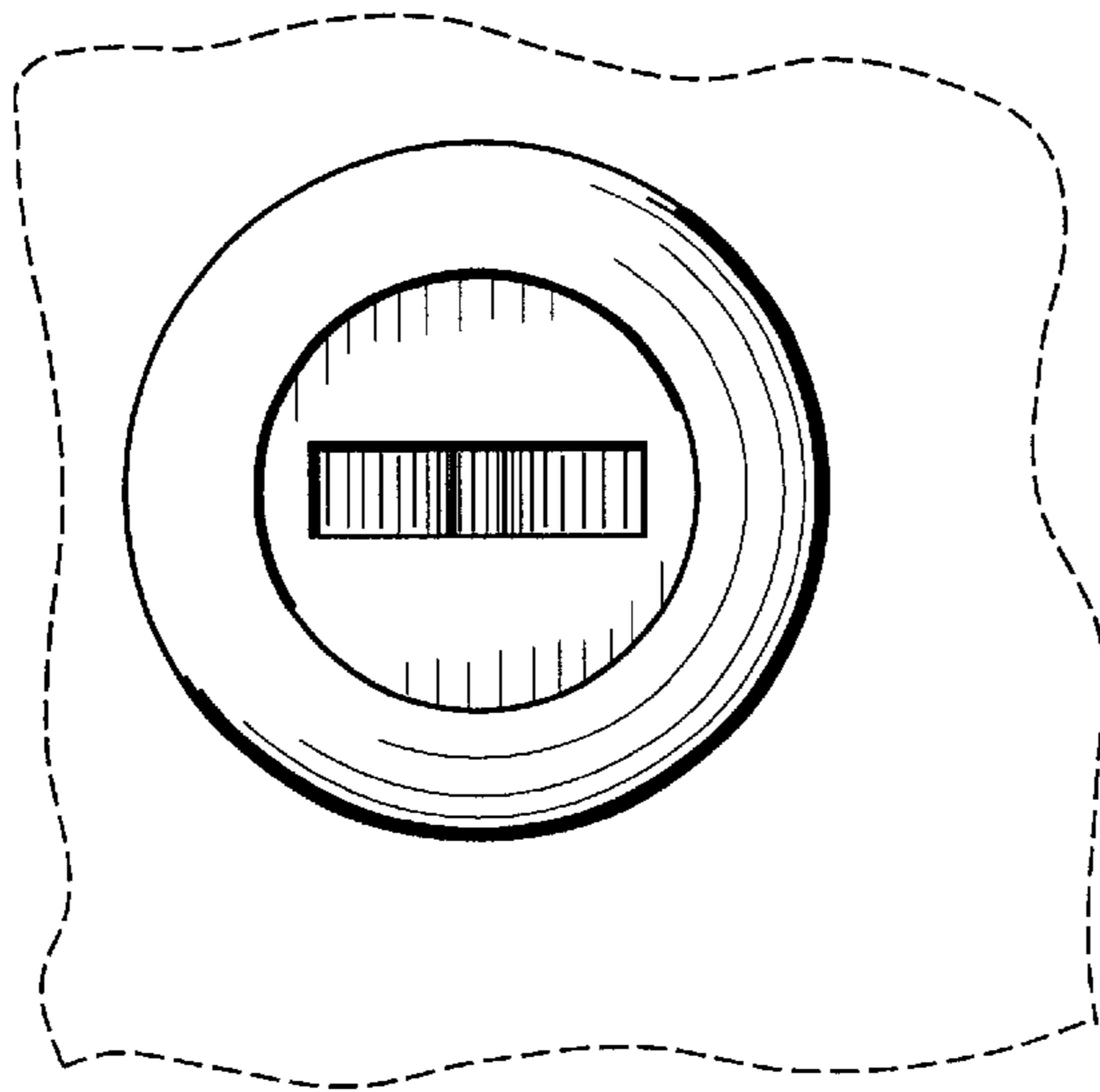


FIG. 3

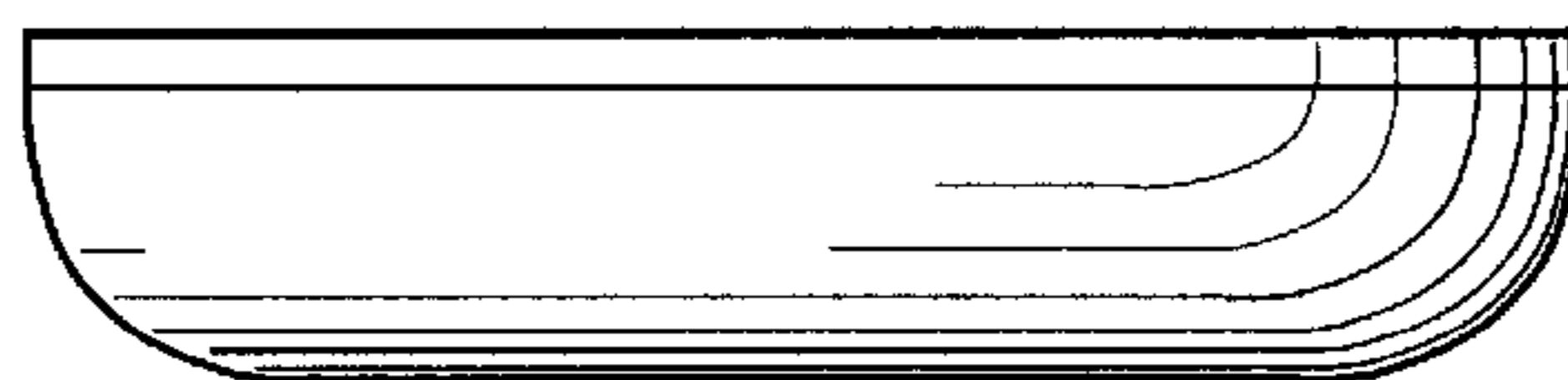


FIG. 4

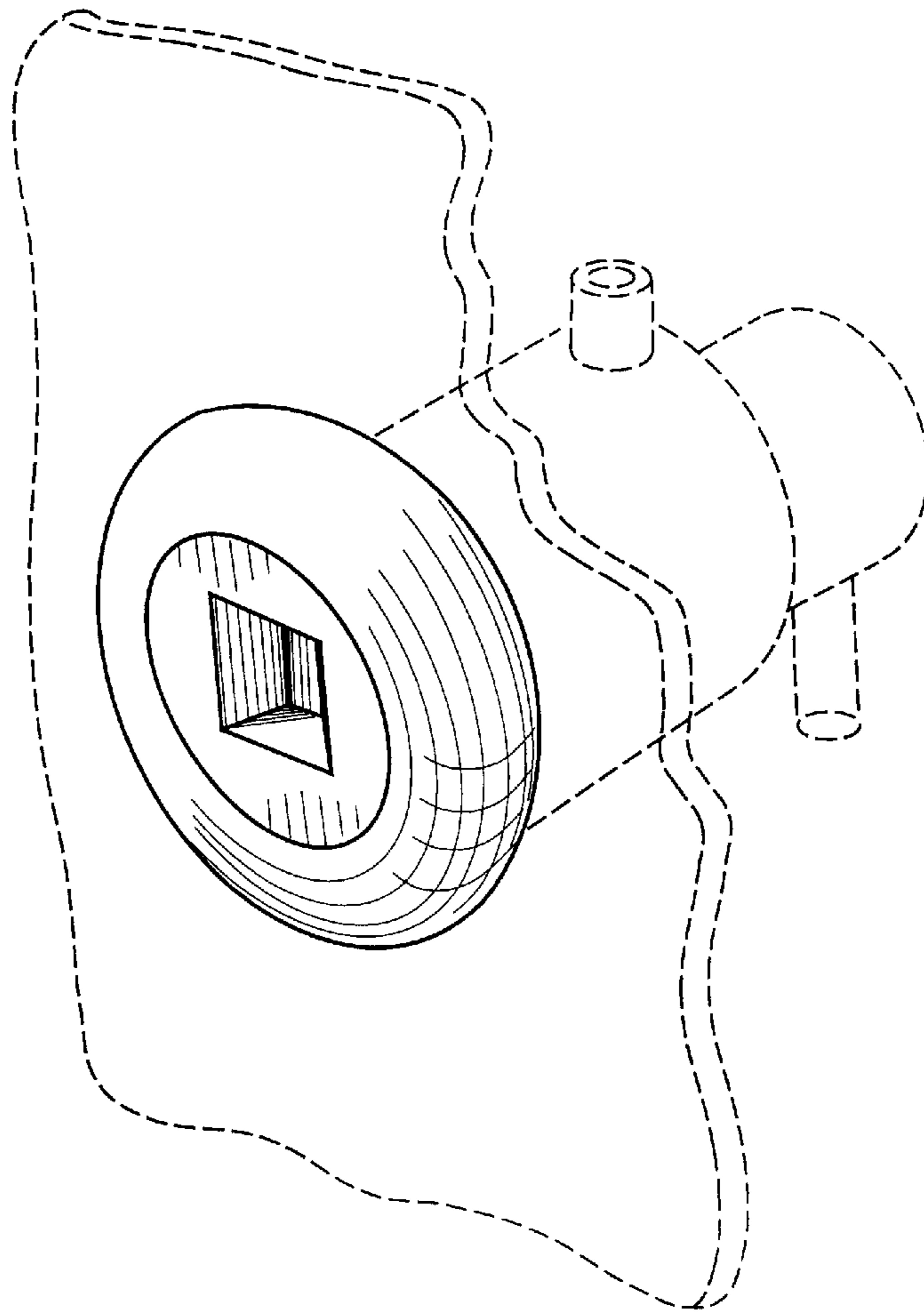


FIG. 5

