



US00D450802B1

(12) **United States Design Patent**
Aiello

(10) **Patent No.:** **US D450,802 S**

(45) **Date of Patent:** **** Nov. 20, 2001**

(54) **ELECTRONIC FLY TRAP**

D. 365,379 * 12/1995 Nayler et al. D22/123

(76) Inventor: **Salvatore F. Aiello**, 10232
Northwestern Ave.-Box 3, Franksville,
WI (US) 53126

* cited by examiner

Primary Examiner—Catherine R. Oliver

(**) Term: **14 Years**

(57) **CLAIM**

The ornamental design for an electronic fly trap, as shown and described.

(21) Appl. No.: **29/121,900**

(22) Filed: **Apr. 17, 2000**

DESCRIPTION

(51) **LOC (7) Cl.** **22-06**

(52) **U.S. Cl.** **D22/123**

(58) **Field of Search** D22/119-124;
43/112, 113, 115, 124; D23/341, 332

FIG. 1 is a front perspective view of an electronic fly trap showing my new design in an open position;
FIG. 2 is a left side elevational view thereof;
FIG. 3 is a right elevational view thereof;
FIG. 4 is a top plan view thereof;
FIG. 5 is a front elevational view thereof, shown in an open position;
FIG. 6 is a rear elevational view thereof;
FIG. 7 is a bottom plan view thereof; and,
FIG. 8 is a front perspective view, with the broken line showing of environment being for illustrative purposes only and forming no part of the claimed design.

(56) **References Cited**

U.S. PATENT DOCUMENTS

D. 225,628	*	12/1972	Gilbert	D22/123
D. 253,606		12/1979	Vavnieli	D22/120
D. 256,716	*	9/1980	Gombert et al.	D22/122
D. 269,632		7/1983	Roberston et al.	D22/120
D. 284,093	*	6/1986	Browne	D22/122
D. 325,954		5/1992	Lazzeroni, Sr.	D22/123
D. 335,912		5/1993	Brown	D22/122

1 Claim, 4 Drawing Sheets

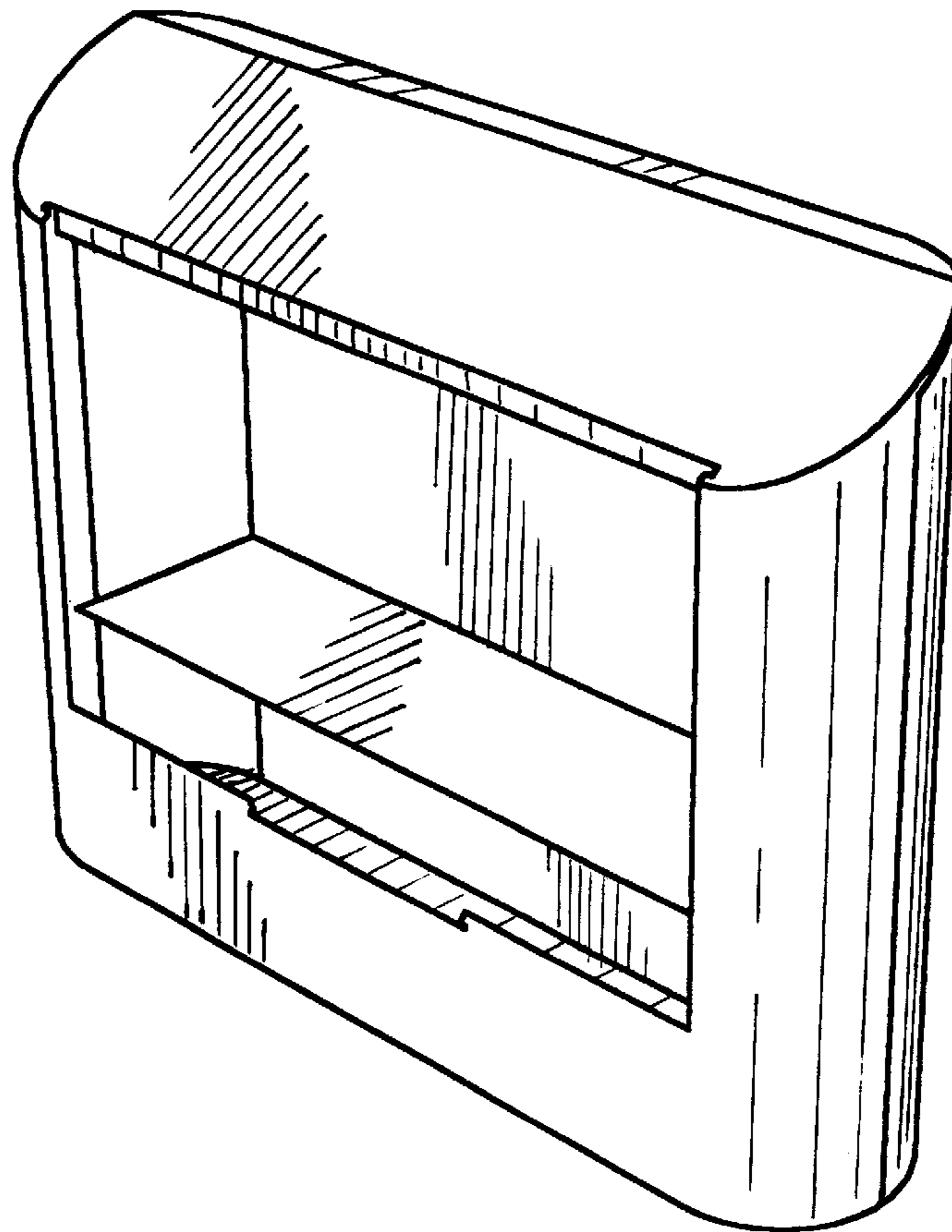


FIG. 1

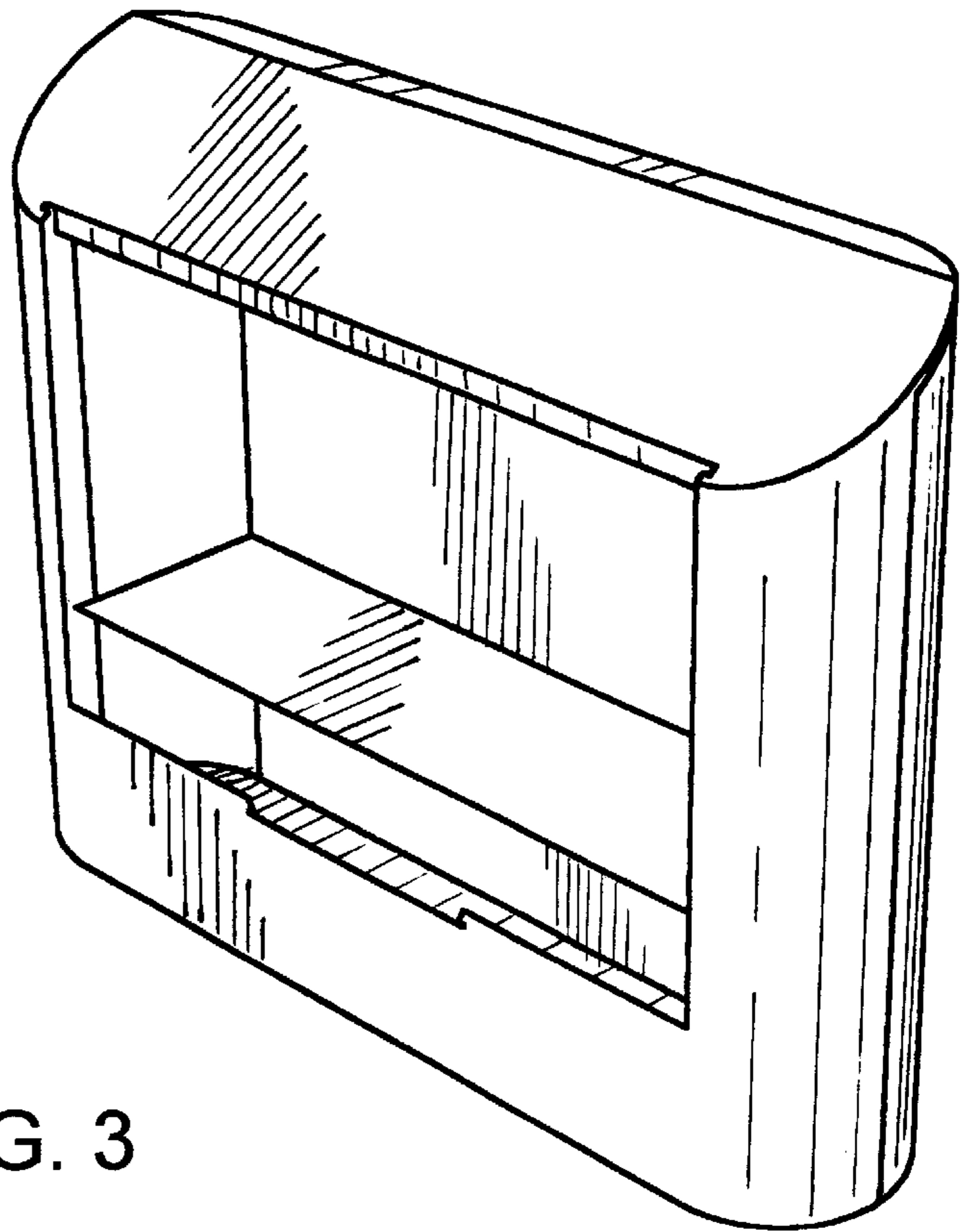


FIG. 2

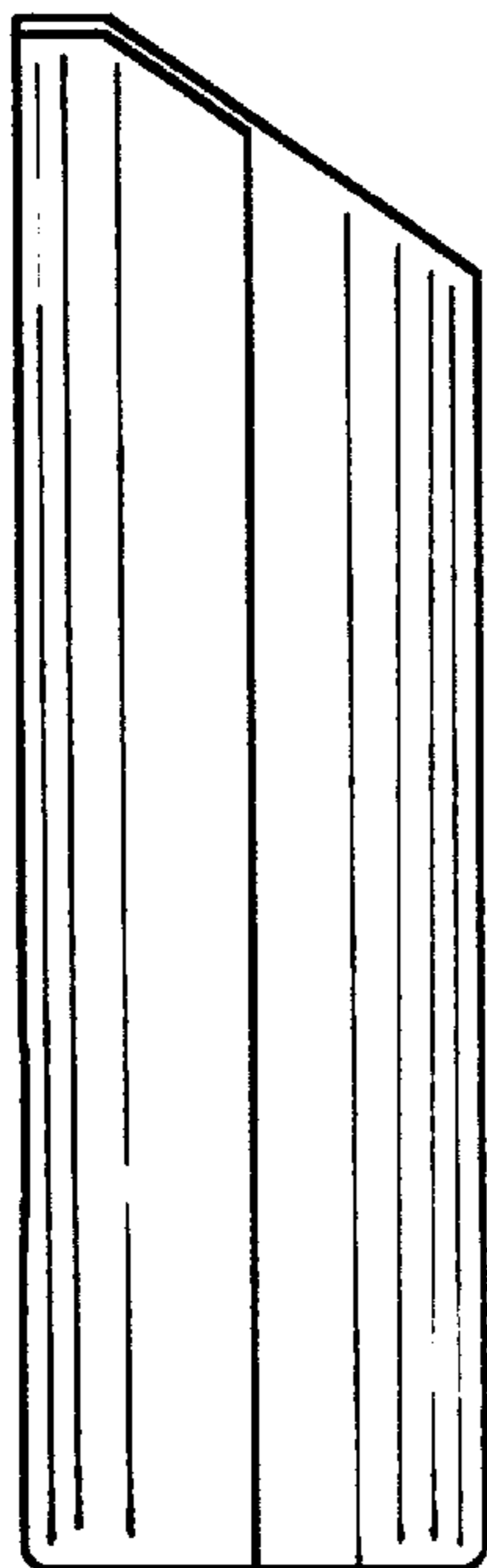


FIG. 3

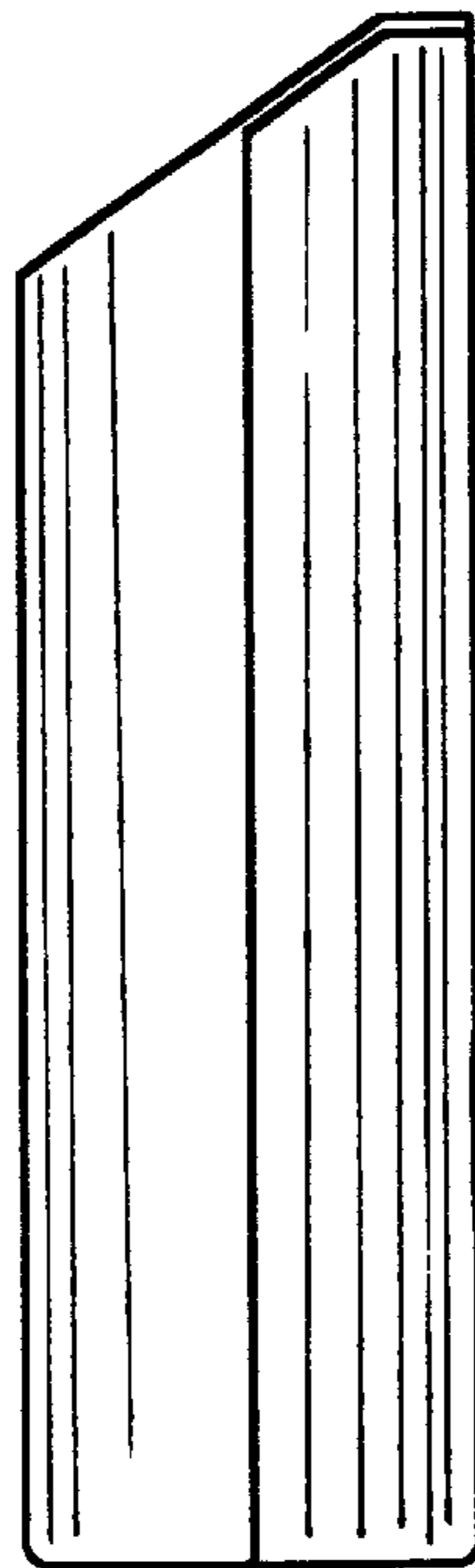


FIG. 4

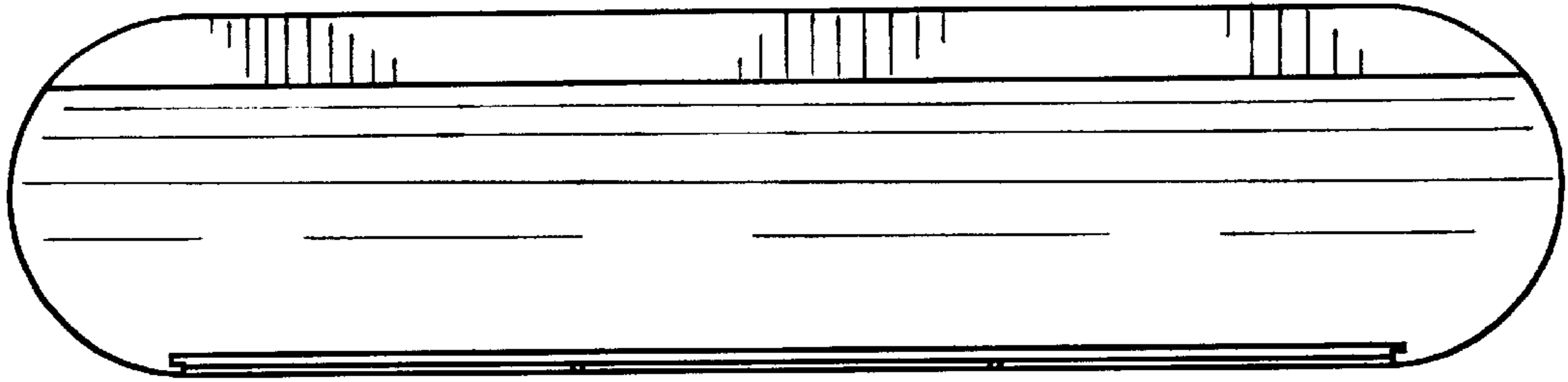


FIG. 5

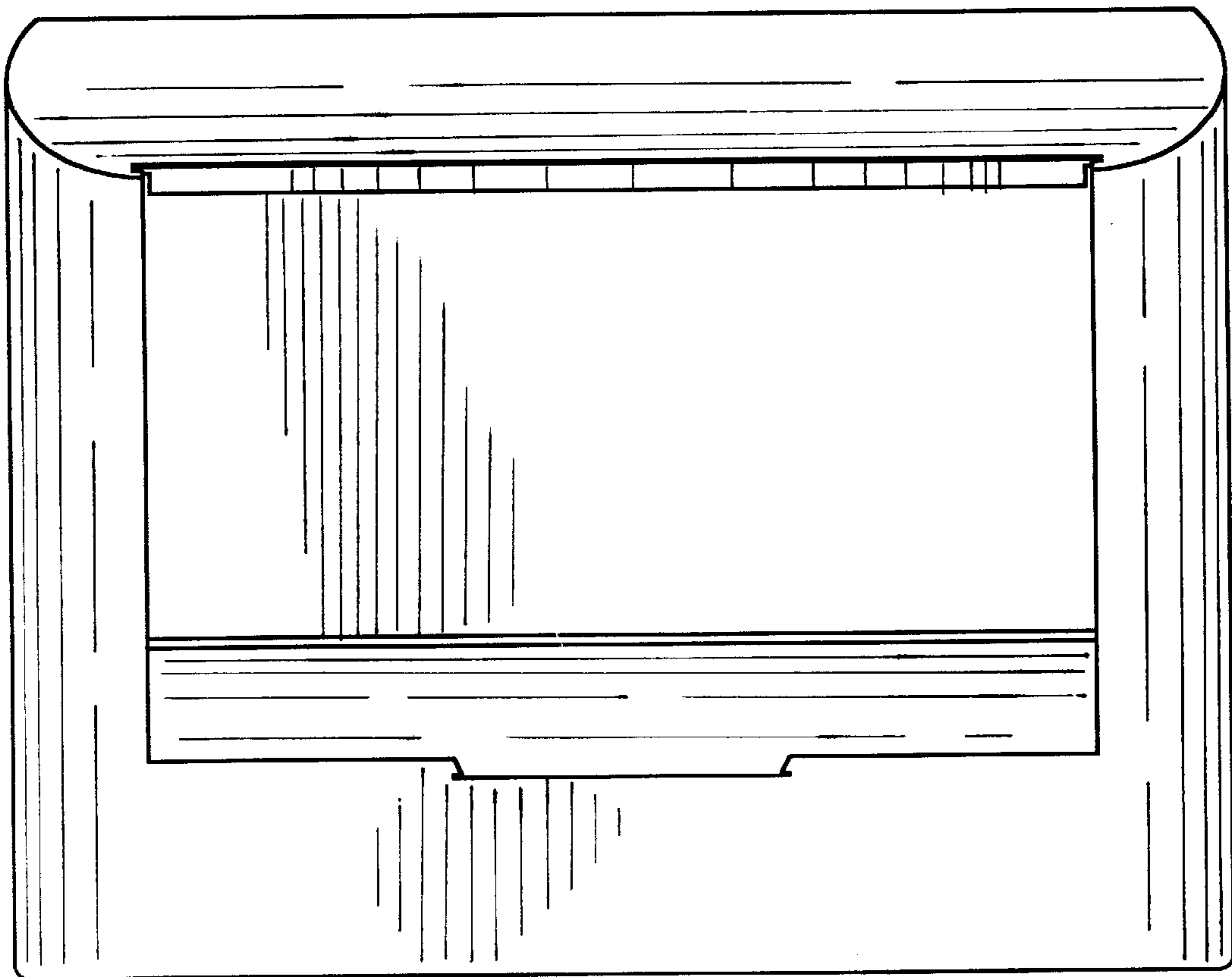


FIG. 6

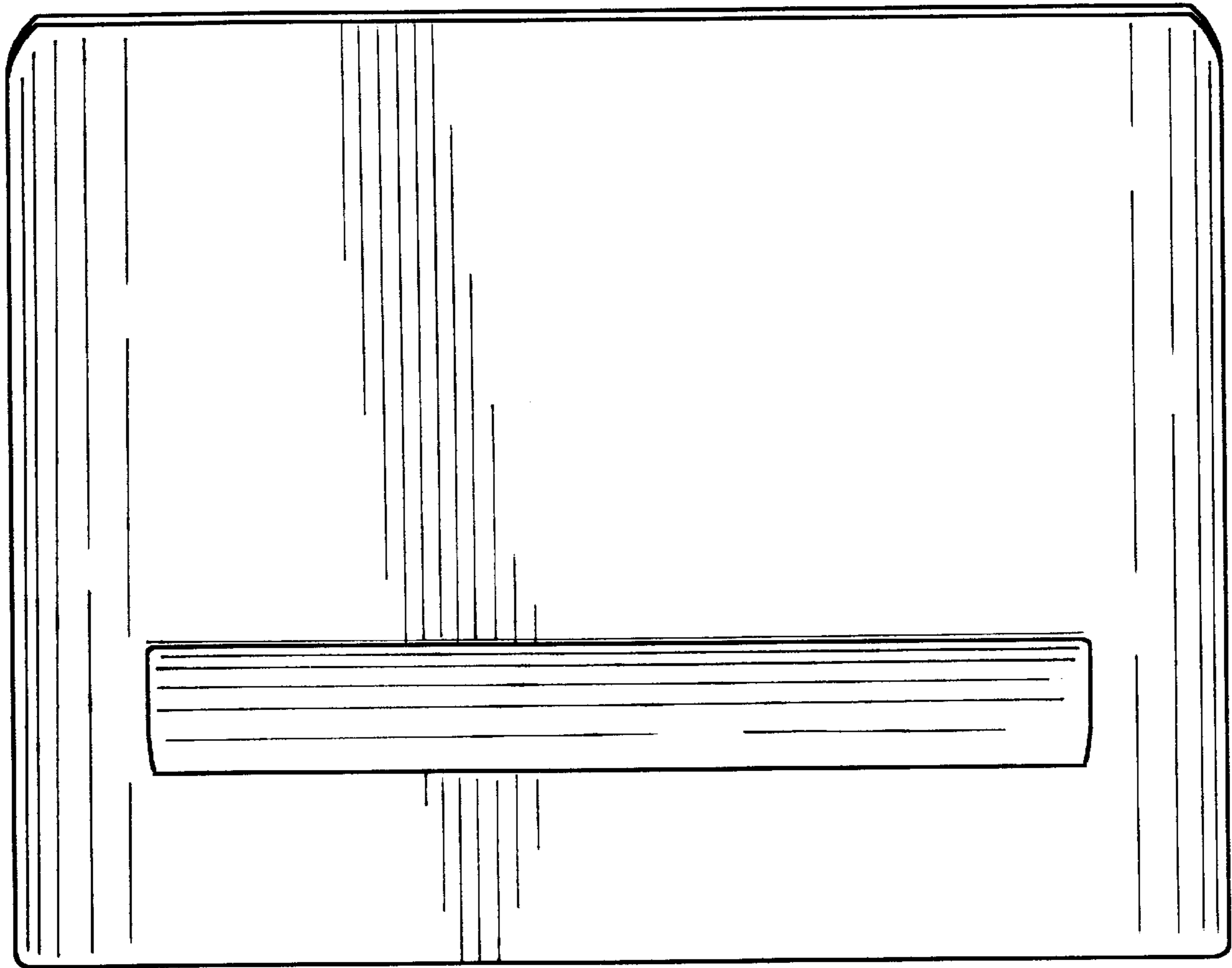


FIG. 7

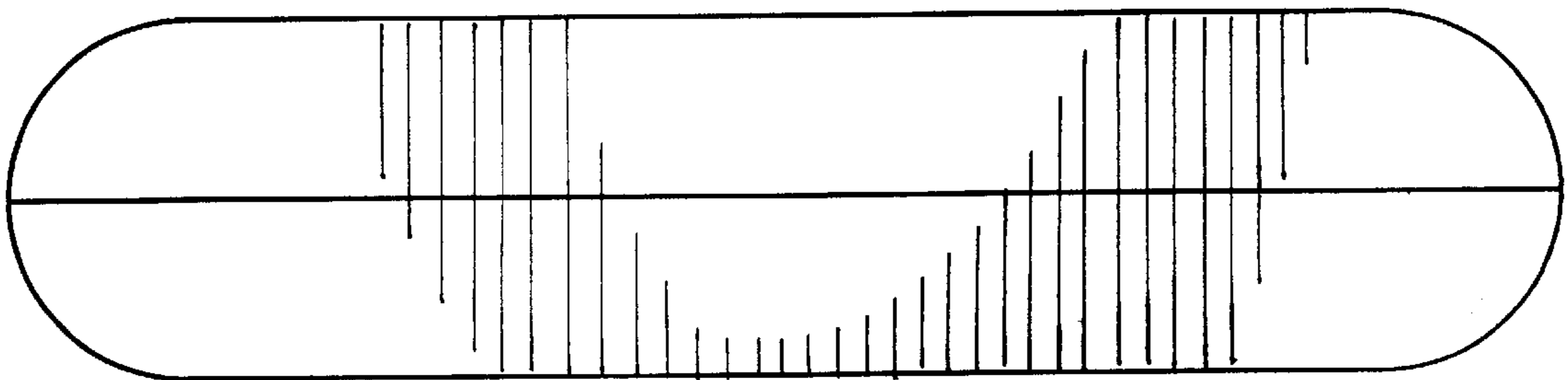


FIG. 8

