



US00D450800B1

(12) **United States Design Patent**
Sheehan

(10) **Patent No.:** **US D450,800 S**

(45) **Date of Patent:** **** Nov. 20, 2001**

(54) **GUN SIGHT**

(76) **Inventor:** **Timothy J. Sheehan**, P.O. Box 204893,
Sedona, AZ (US) 86341-0489

(**) **Term:** **14 Years**

(21) **Appl. No.:** **29/113,202**

(22) **Filed:** **Nov. 1, 1999**

1,425,321	8/1922	Etherington .
2,488,836	12/1949	Sweetman .
2,645,017	2/1953	Hasse .
4,494,327	1/1985	Cullity .
4,601,121	7/1986	Jolly .
4,745,698	5/1988	Schwulst .
5,025,565	6/1991	Stenerson et al. .
5,065,519	11/1991	Bindon .

Related U.S. Application Data

(60) Division of application No. 29/094,812, filed on Oct. 9, 1998, now Pat. No. Des. 420,088, which is a continuation-in-part of application No. 29/066,418, filed on Feb. 14, 1997, now Pat. No. Des. 413,645.

(51) **LOC (7) Cl.** **22-01**

(52) **U.S. Cl.** **D22/109**

(58) **Field of Search** D22/100, 108,
D22/109; 362/110; 42/100, 136, 101, 144,
132, 133; D16/130, 134, 136; 359/422,
399

(56) **References Cited**

U.S. PATENT DOCUMENTS

D. 399,291	10/1998	Emerson .
D. 399,292	10/1998	Emerson .
D. 403,734	1/1999	Kay .
D. 404,788	1/1999	Gangl, Jr. .
D. 413,645	9/1999	Sheehan .
846,217	3/1907	King, Jr. .
1,363,553	12/1920	Barringer .

FOREIGN PATENT DOCUMENTS

11838	of 1915	(GB) .
WO 98/36233	8/1998	(WO) .

Primary Examiner—Paula A. Mortimer

(74) *Attorney, Agent, or Firm*—Eric J. Sheets

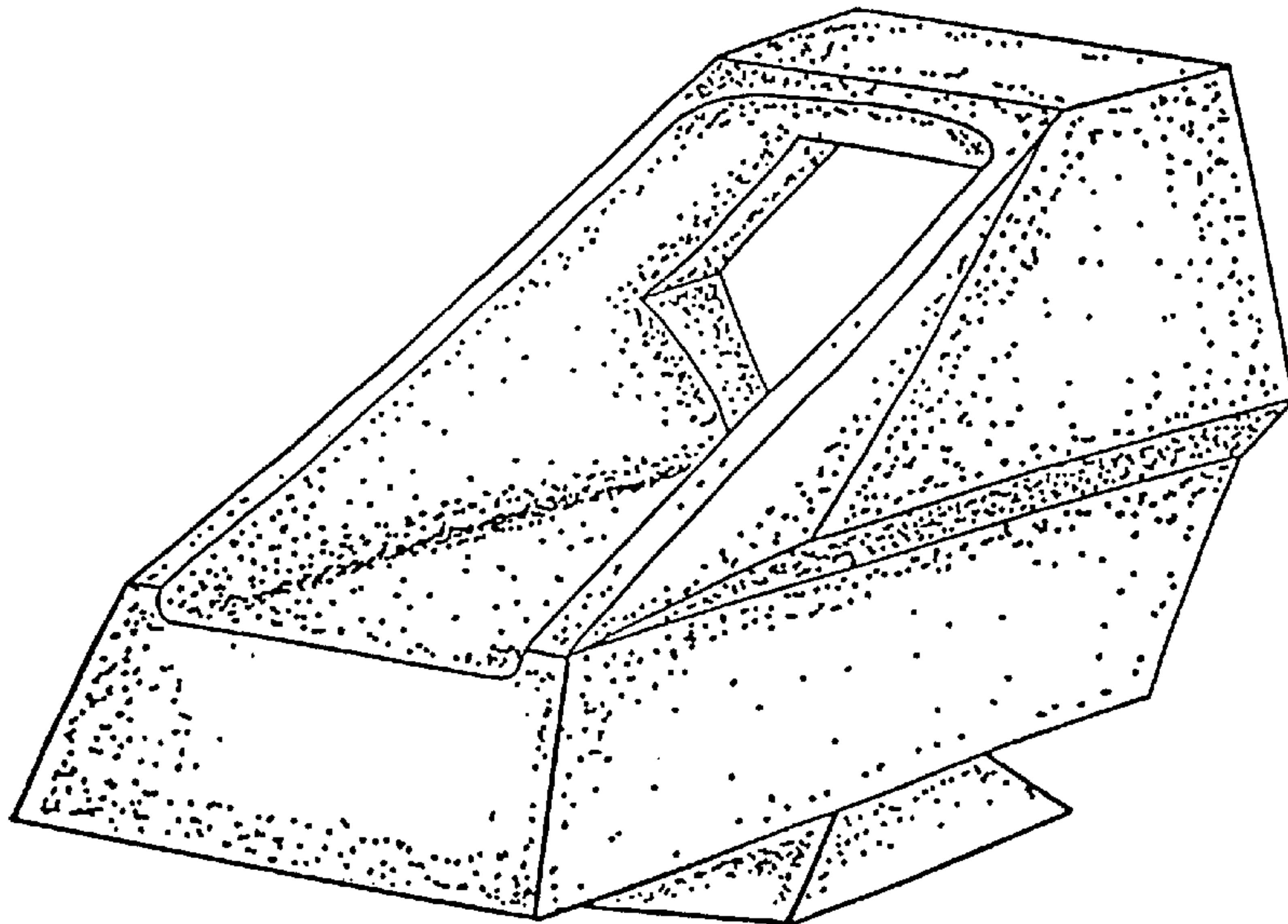
(57) **CLAIM**

The ornamental design for an gun sight, as shown and described.

DESCRIPTION

FIG. 1 is a perspective view of an aperture sighting device, as seen from the front left portion, showing my new design; FIG. 2 is a top elevational view thereof; FIG. 3 is a front view thereof; FIG. 4 is a side view thereof; FIG. 5 is a rear view thereof; FIG. 6 is a bottom view thereof; and, FIG. 7 is a perspective view thereof shown mounted on a firearm, the firearm shown in broken lines are for illustrative purposes only and form no part of the claimed design.

1 Claim, 3 Drawing Sheets



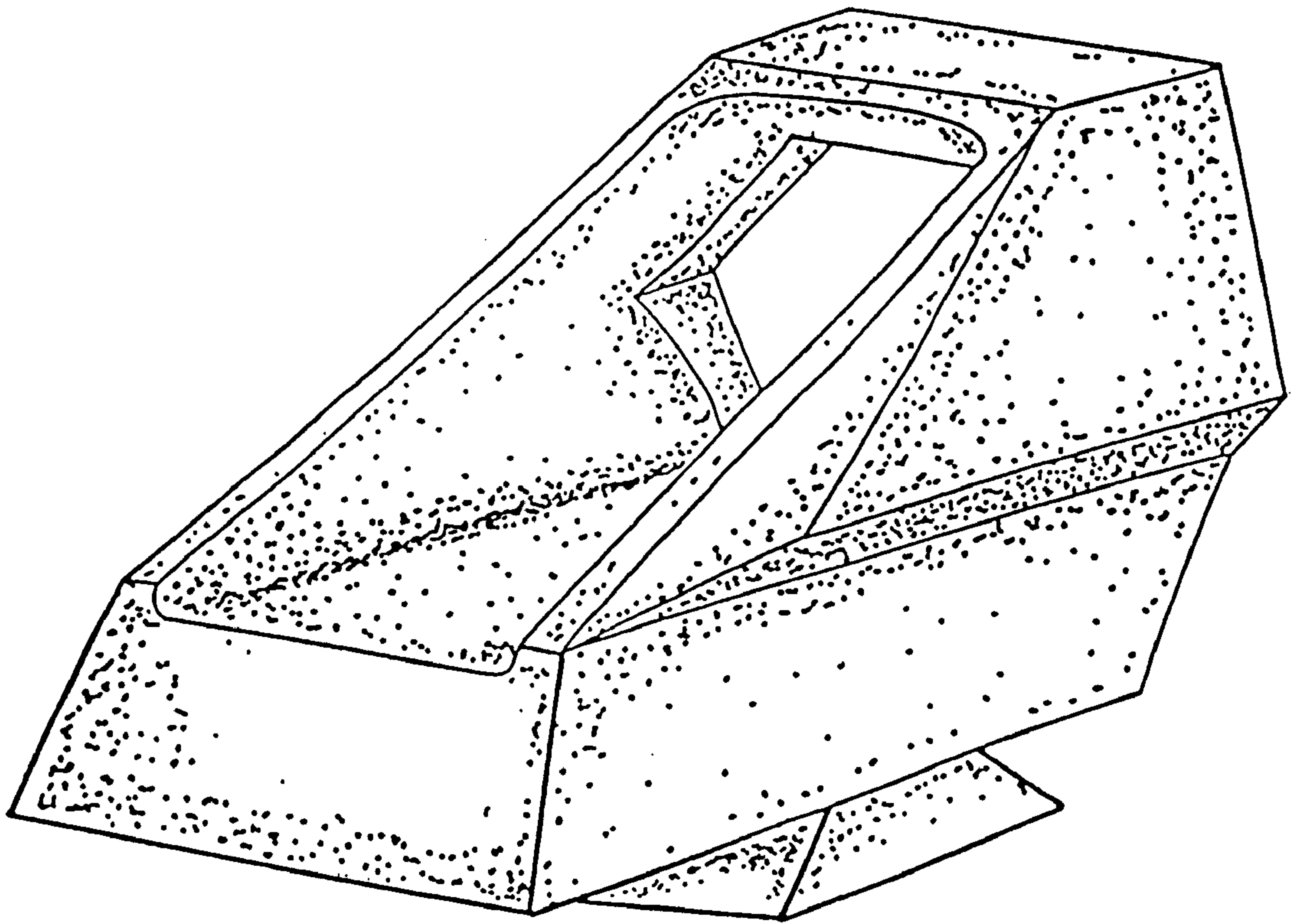


FIG. 1

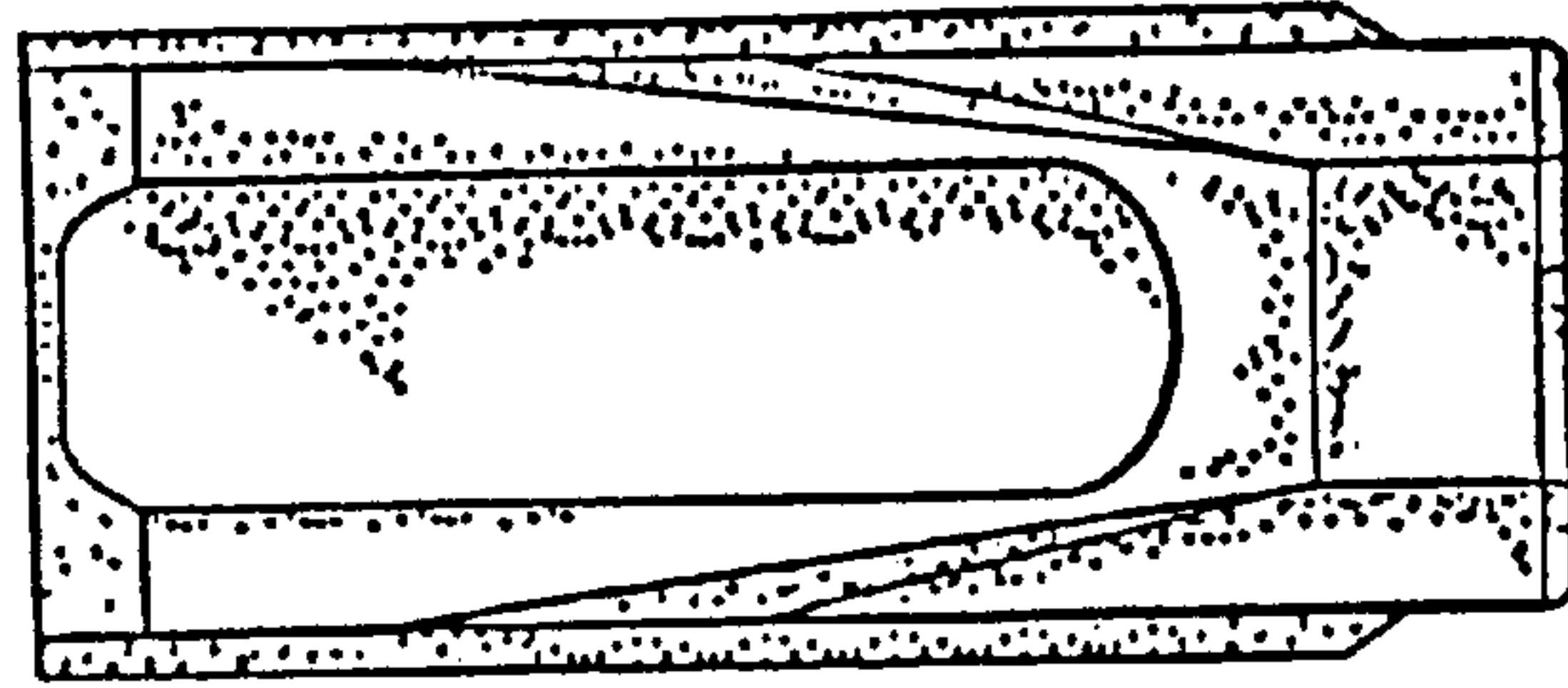


FIG. 2

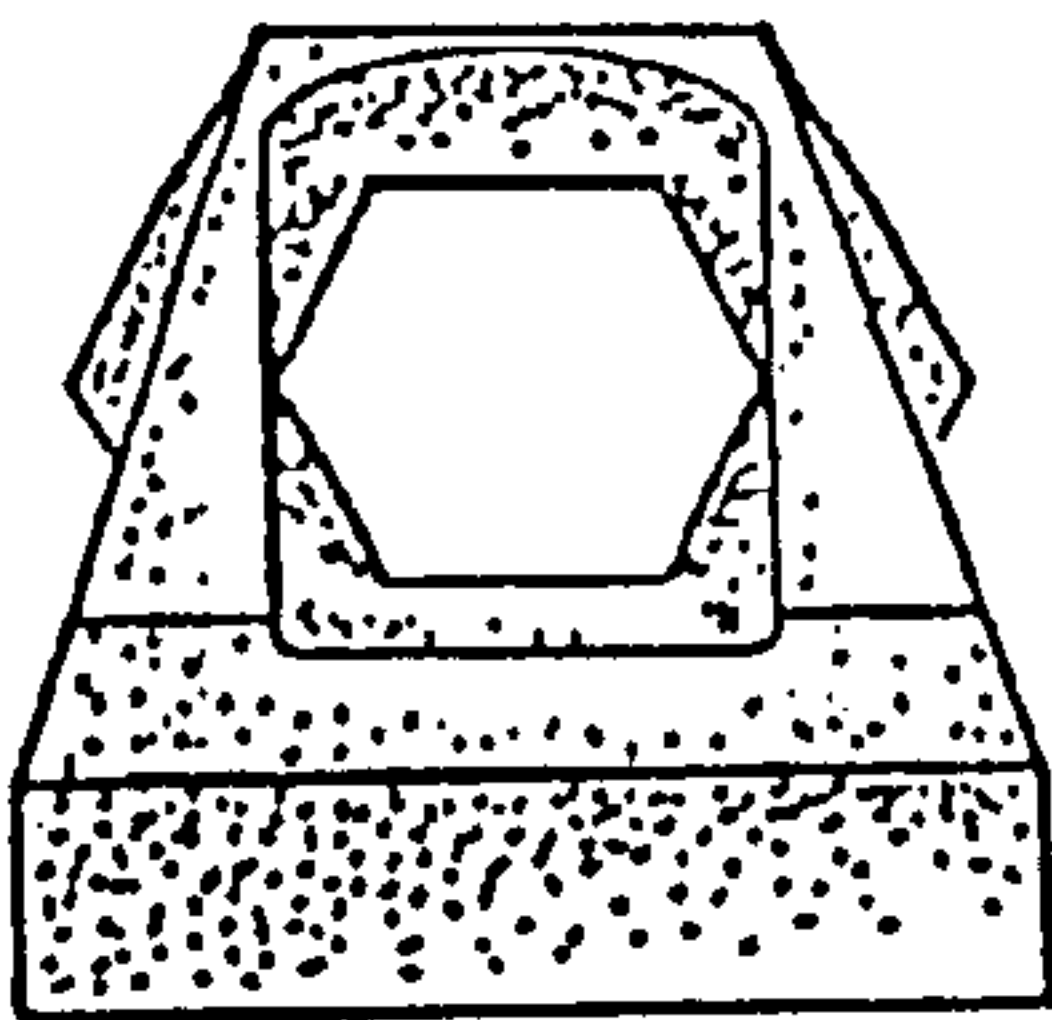


FIG. 3

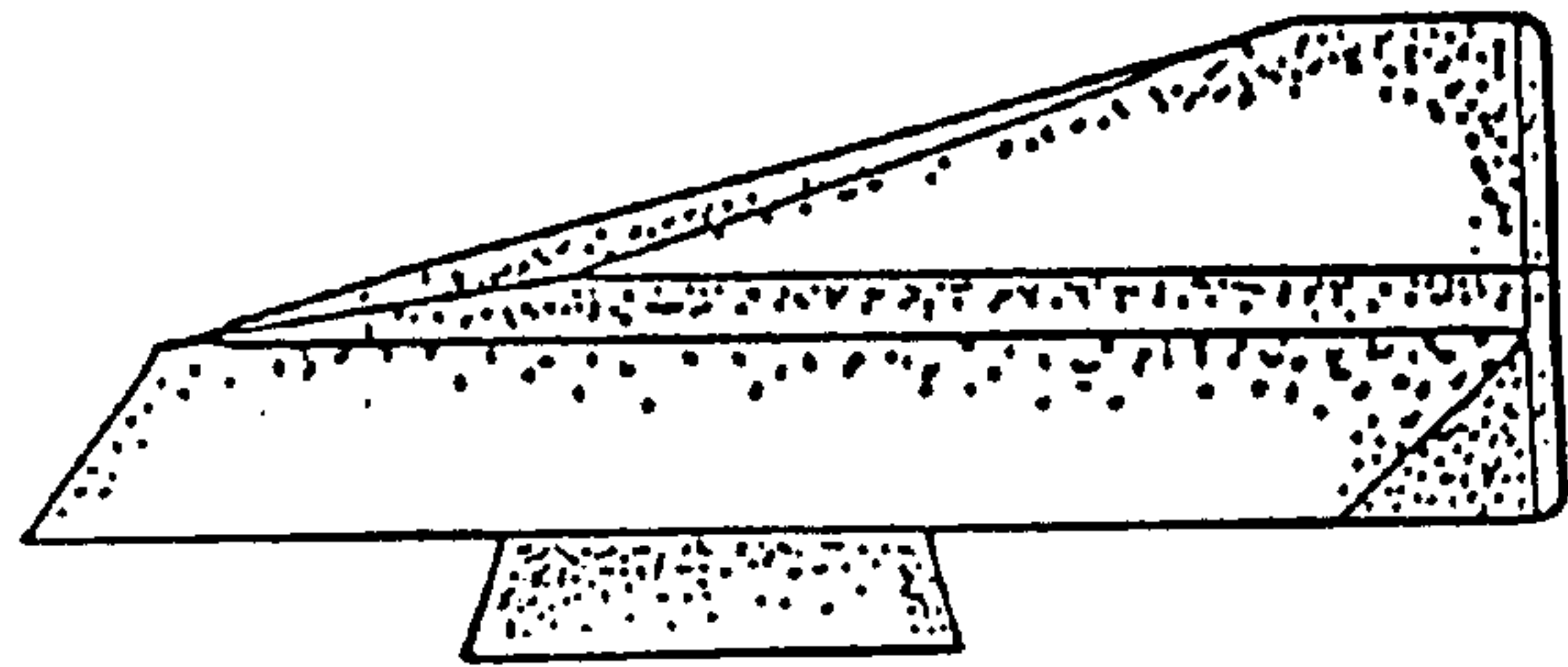


FIG. 4

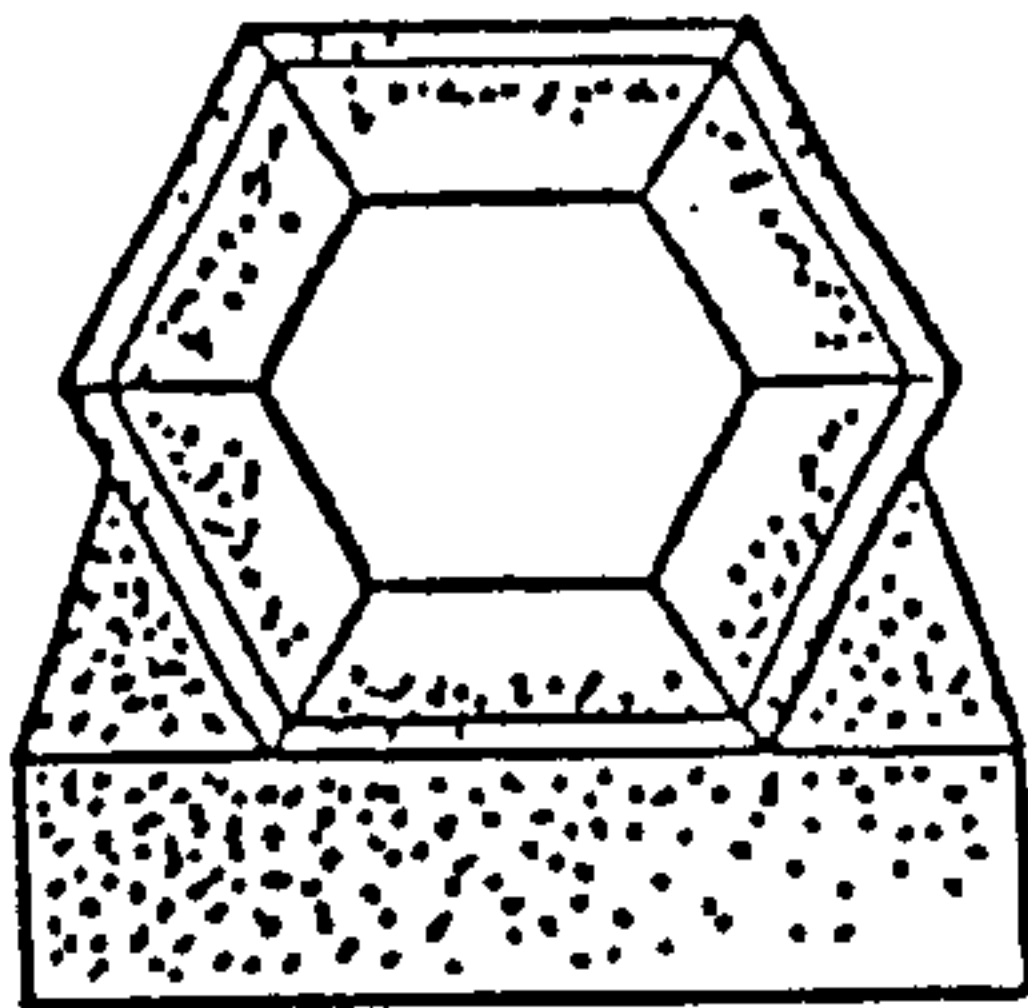


FIG. 5

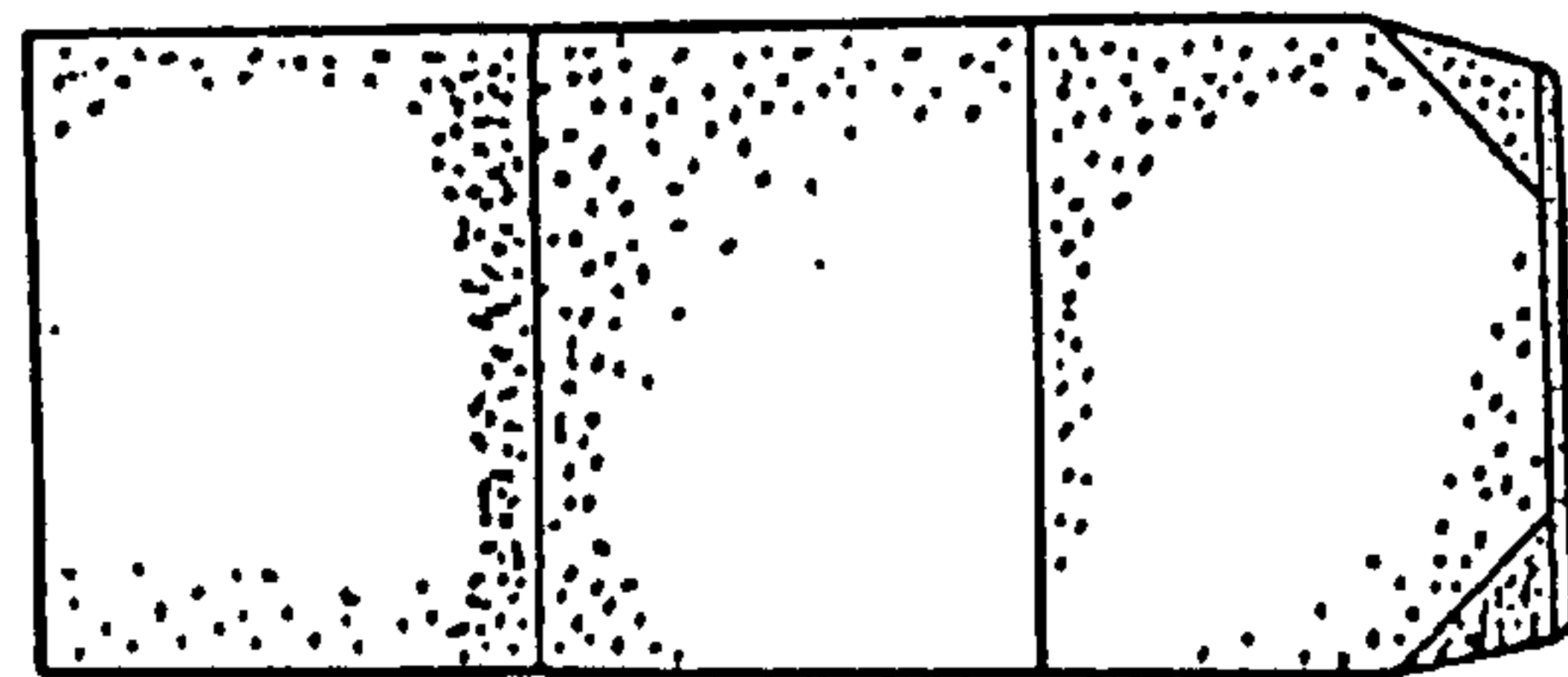


FIG. 6

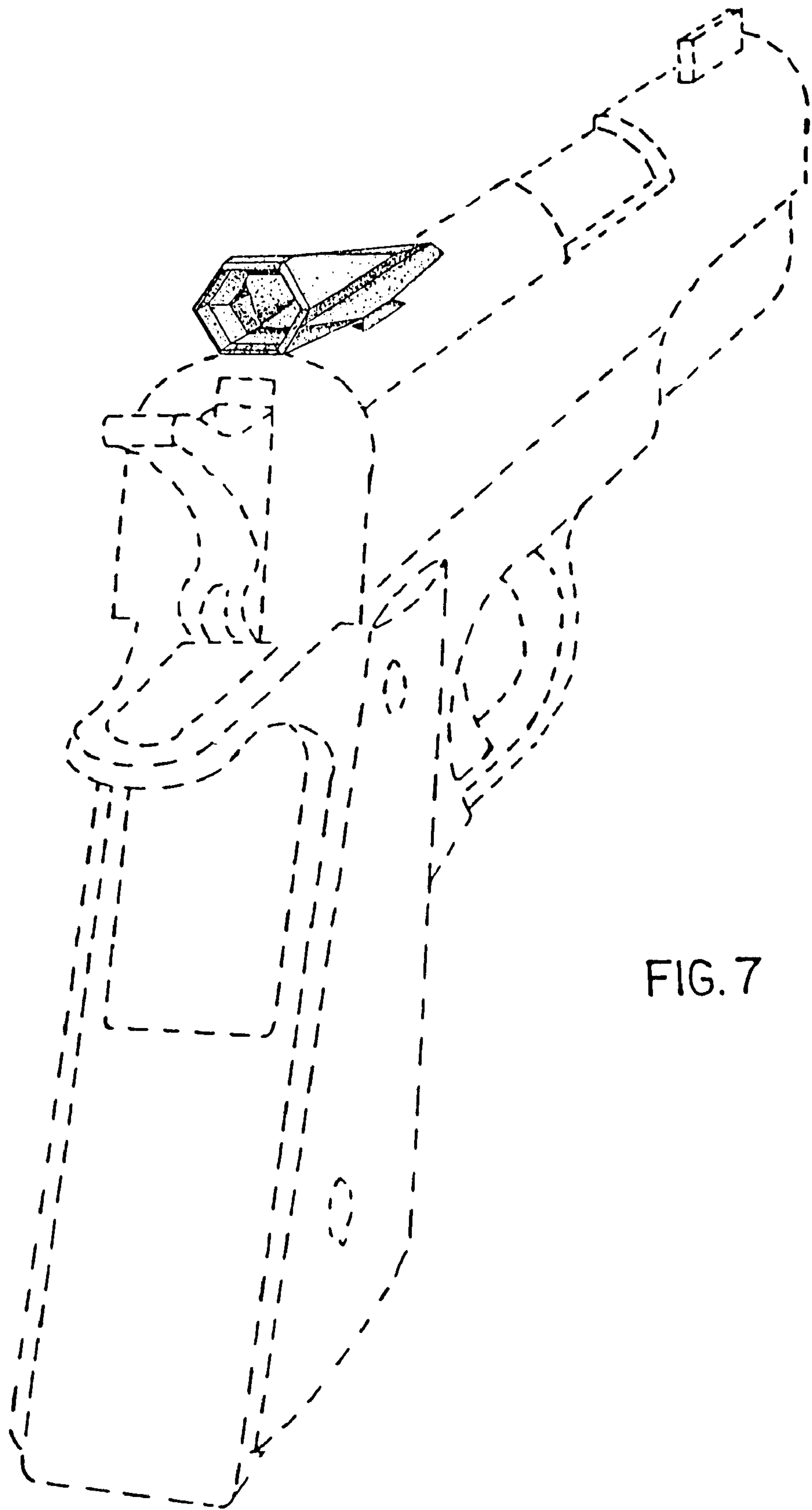


FIG. 7