



US00D450799B1

(12) **United States Design Patent**  
**Nicolette et al.**

(10) **Patent No.:** **US D450,799 S**

(45) **Date of Patent:** **\*\* Nov. 20, 2001**

(54) **GOLF PUTTER HEAD**

(75) Inventors: **Michael R. Nicolette**, Cave Creek;  
**James Wells**, Phoenix, both of AZ (US)

(73) Assignee: **Karsten Manufacturing Corporation**,  
Phoenix, AZ (US)

(\*\*) Term: **14 Years**

(21) Appl. No.: **29/136,855**

(22) Filed: **Jan. 12, 2001**

(51) **LOC (7) Cl.** ..... **21-02**

(52) **U.S. Cl.** ..... **D21/736**

(58) **Field of Search** ..... D21/736-746;  
473/324, 327-331, 337, 340, 341, 350

(56) **References Cited**

**U.S. PATENT DOCUMENTS**

D. 194,239	*	12/1962	Hyde	.....	D21/738
D. 238,285		12/1975	Ross	.....	D34/5 GH
D. 257,784		1/1981	Forys et al.	.....	D21/219
D. 338,936		8/1993	Smith	.....	D21/217
D. 341,860		11/1993	DeLomba	.....	D21/217
D. 356,131		3/1995	Trimble	.....	D21/217
D. 388,484		12/1997	English	.....	D21/219
D. 389,207		1/1998	Cameron	.....	D21/217

D. 441,820	*	5/2001	Nicolette et al.	.....	D21/738
3,873,094	*	3/1975	Sebo et al.	.....	473/350
5,839,974	*	11/1998	McAllister	.....	473/337

\* cited by examiner

*Primary Examiner*—Mitchell Siegel

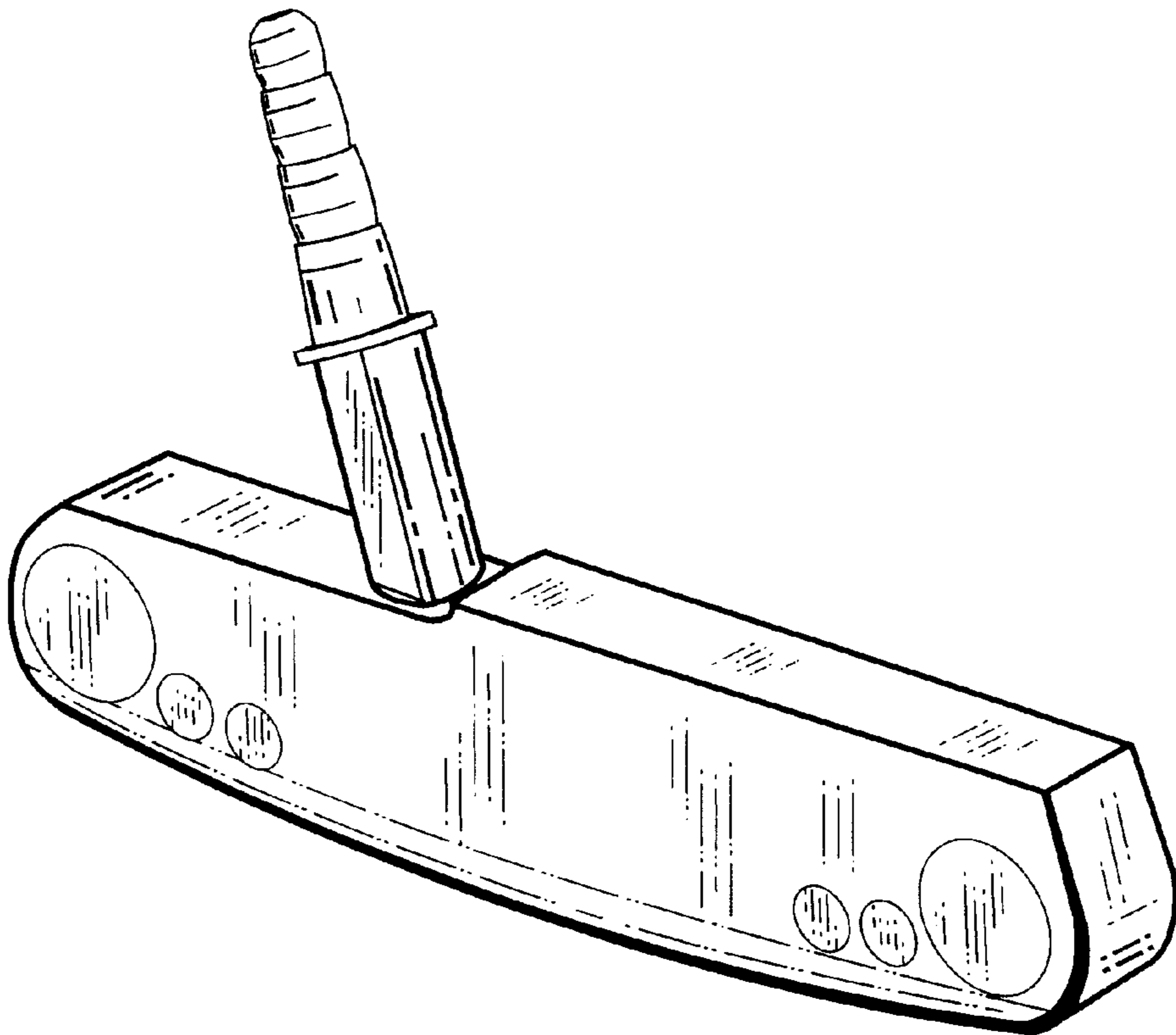
(57) **CLAIM**

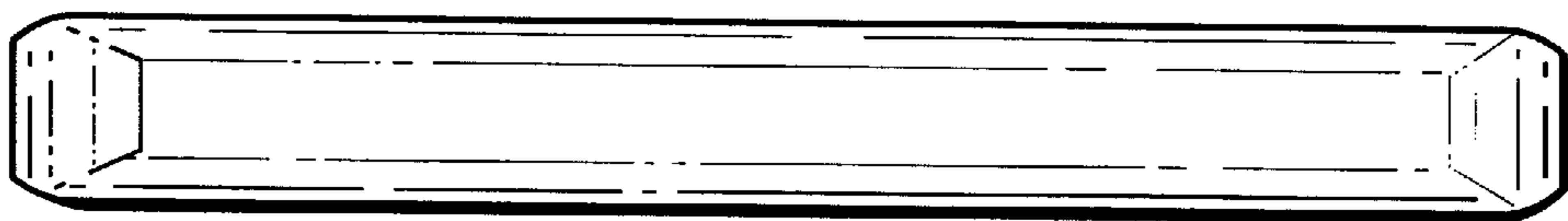
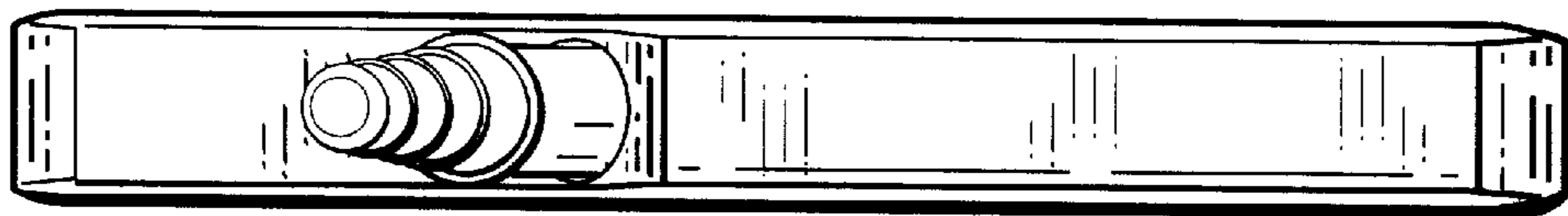
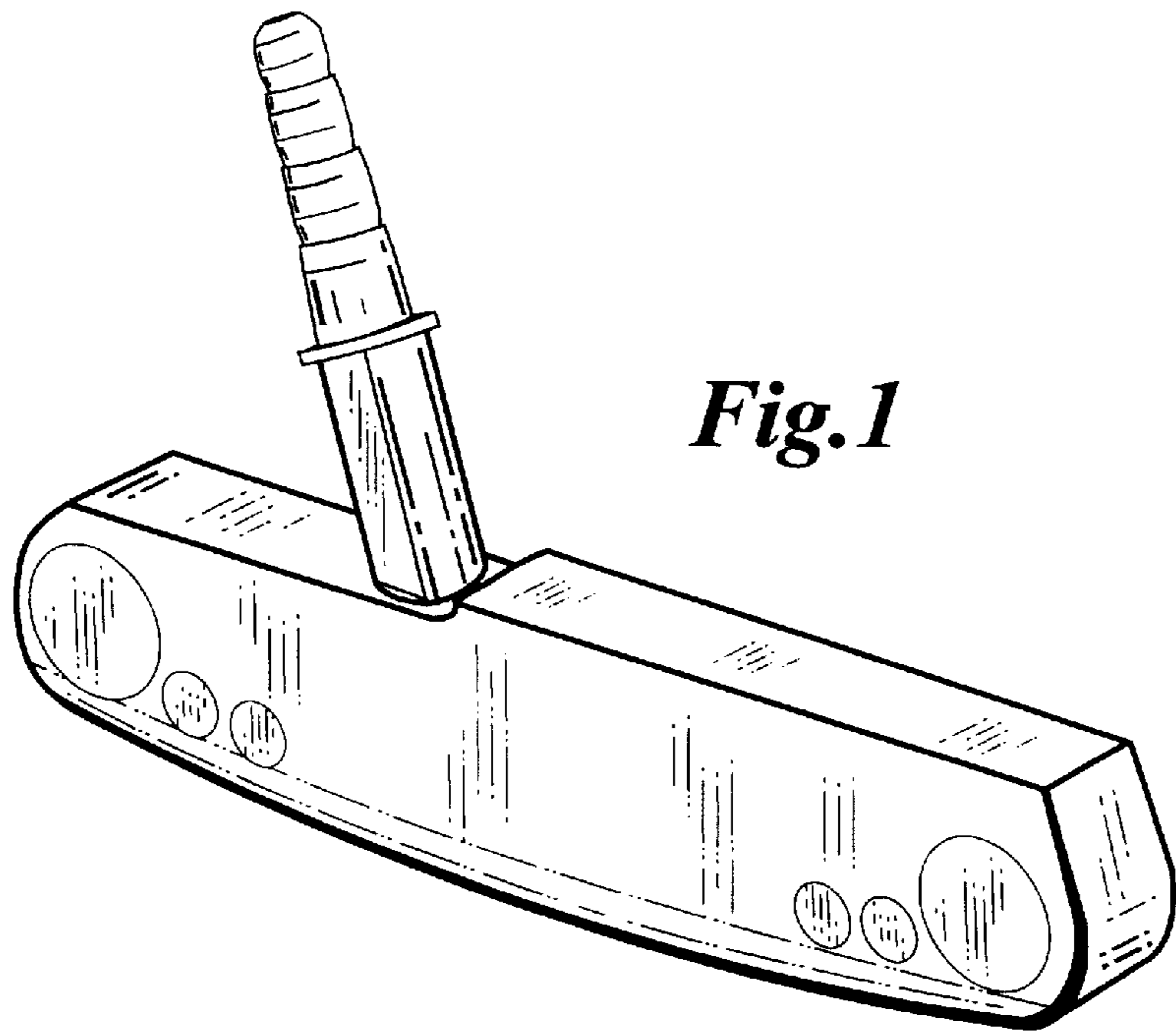
We claim the ornamental design for a golf putter head, as shown and described.

**DESCRIPTION**

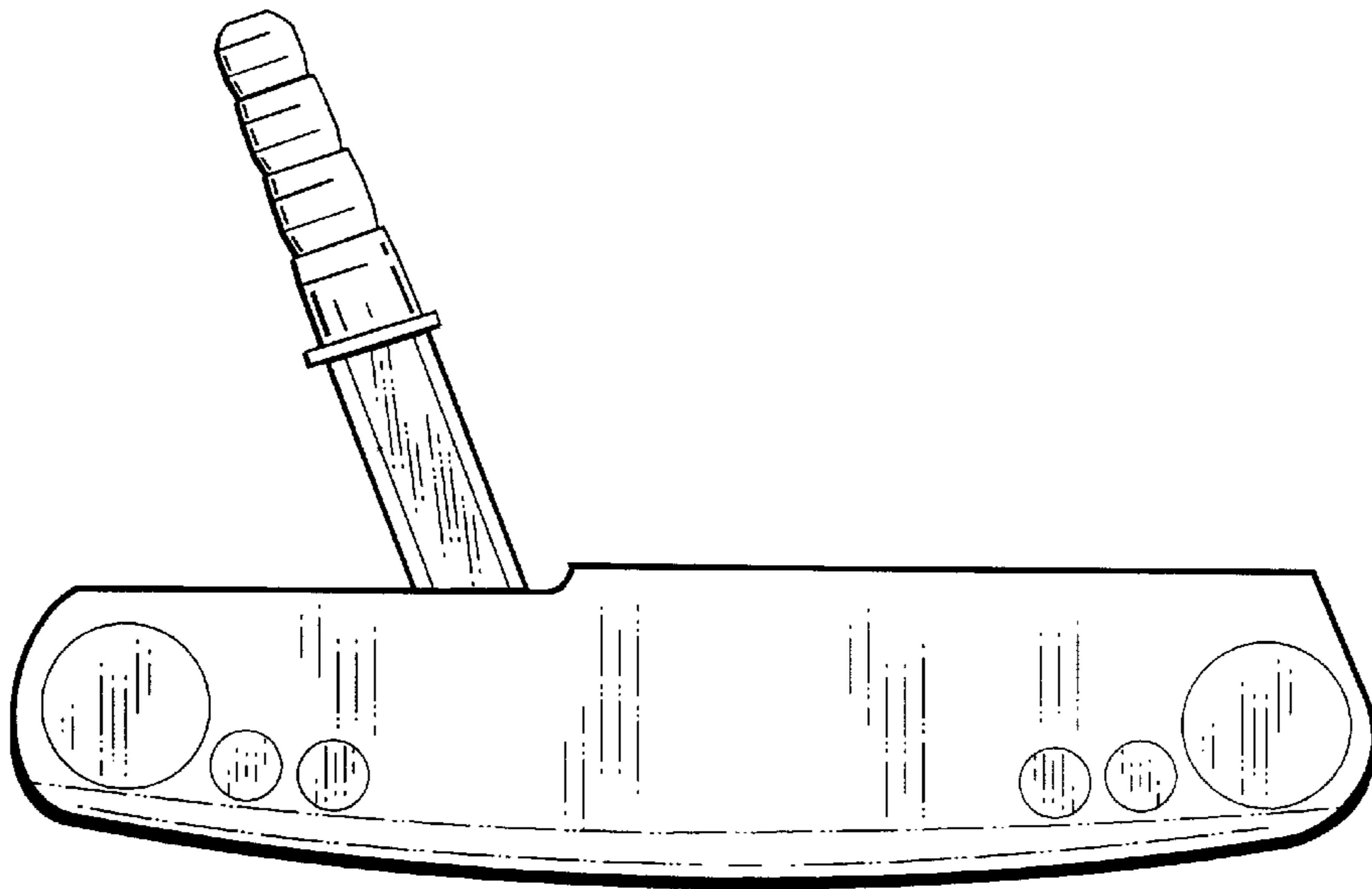
FIG. 1 is perspective view of a golf putter head showing our new design;  
 FIG. 2 is a top plan view of the golf putter head shown in FIG. 1;  
 FIG. 3 is a bottom view of the golf putter head shown in FIG. 1;  
 FIG. 4 is a rear elevational view of the golf putter head shown in FIG. 1;  
 FIG. 5 is a front elevational view of a golf putter head shown in FIG. 1;  
 FIG. 6 is a toe end view of the golf putter head shown in FIG. 1; and,  
 FIG. 7 is a heel end view of the golf putter head shown in FIG. 1.

**1 Claim, 2 Drawing Sheets**

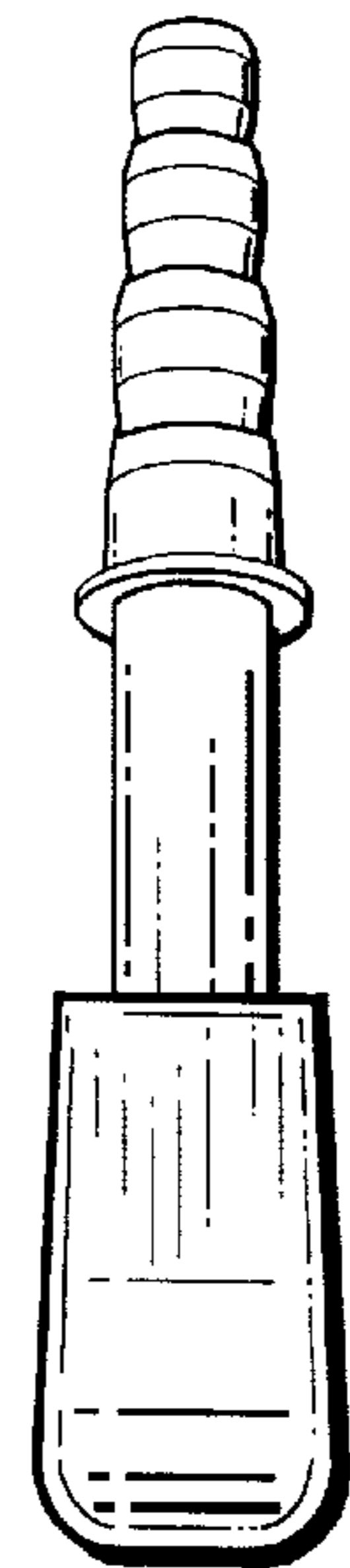




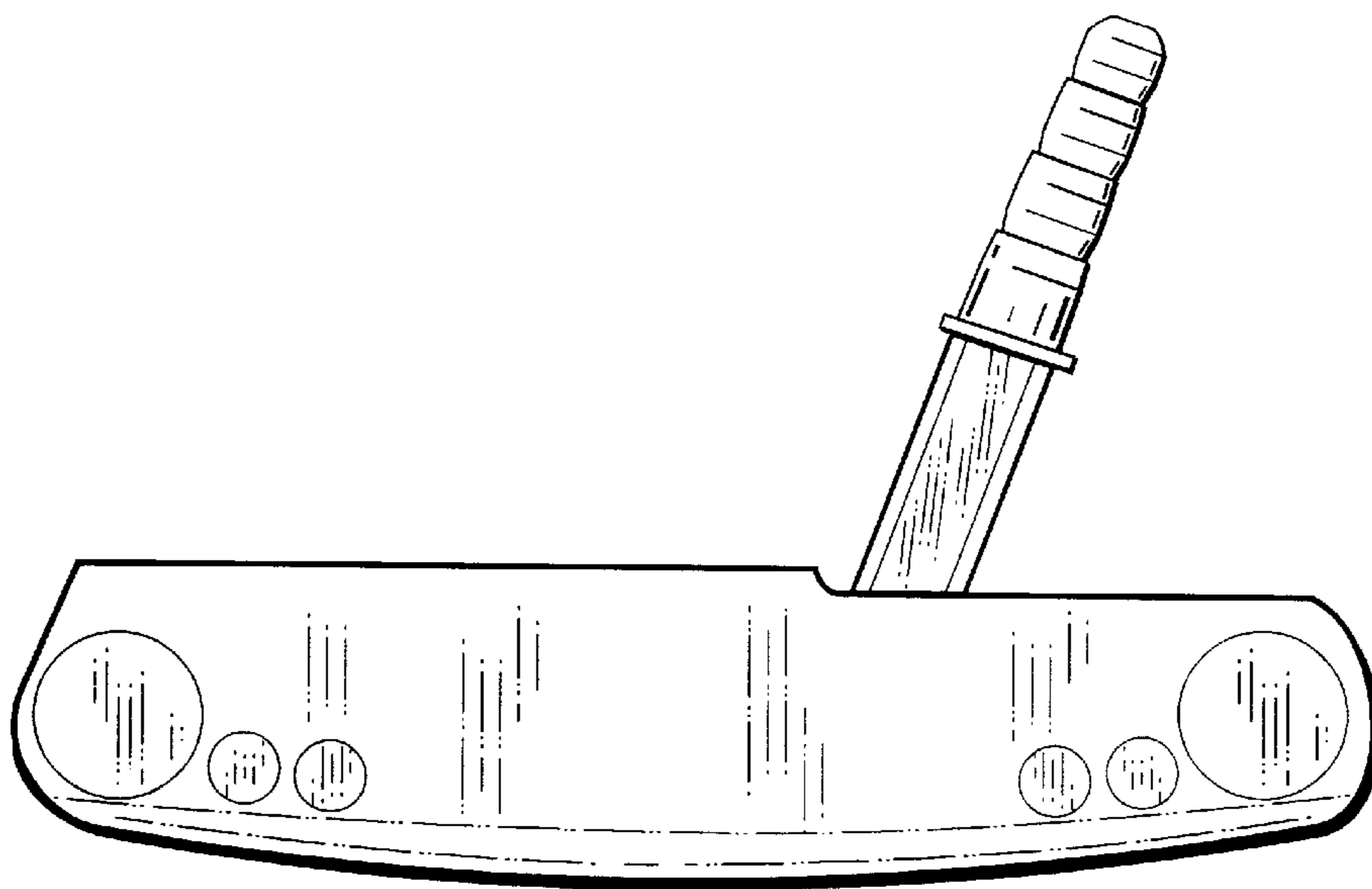
*Fig. 3*



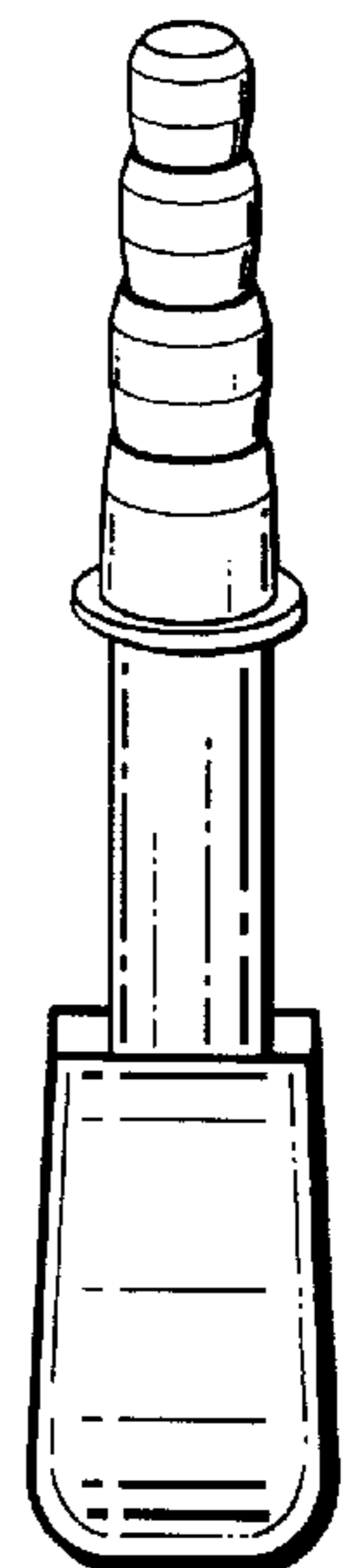
*Fig. 4*



*Fig. 6*



*Fig. 5*



*Fig. 7*