



US00D450797B1

(12) **United States Design Patent**
Pelletier

(10) **Patent No.:** **US D450,797 S**

(45) **Date of Patent:** **** Nov. 20, 2001**

(54) **EXERCISE MAT HOLDER**

(76) Inventor: **James Pelletier**, 3157 - A Juniper La.,
Woodbury, MN (US) 55125

(**) Term: **14 Years**

(21) Appl. No.: **29/123,358**

(22) Filed: **May 17, 2000**

(51) **LOC (7) Cl.** **21-02**

(52) **U.S. Cl.** **D21/686**

(58) **Field of Search** D21/662, 785,
D21/686; D8/380, 349, 354; 473/54, 55,
115, 109, 113; 248/450, 441.1, 456; D34/38,
28; 482/23

(56) **References Cited**

U.S. PATENT DOCUMENTS

D. 323,968	*	2/1992	Blocker et al.	D8/318
D. 384,481	*	9/1997	Sheckells	D34/38
3,284,819	*	11/1966	Nissen	482/23
4,002,240	*	1/1977	Dorn	248/441.1
5,297,998	*	3/1994	Greiner	473/115

5,380,251 * 1/1995 Hedden 473/113

5,405,295 * 4/1995 Lord 473/55

5,713,551 * 2/1998 Doerner 248/441.1

* cited by examiner

Primary Examiner—Philip S. Hyder

(74) *Attorney, Agent, or Firm*—D. L. Tschida

(57) **CLAIM**

The ornamental design for an exercise mat holder, as shown and described.

DESCRIPTION

FIG. 1 is a perspective drawing showing an exercise mat supported from several of my new exercise mat holders and wherein the matter shown in dashed line comprises no part of my invention;

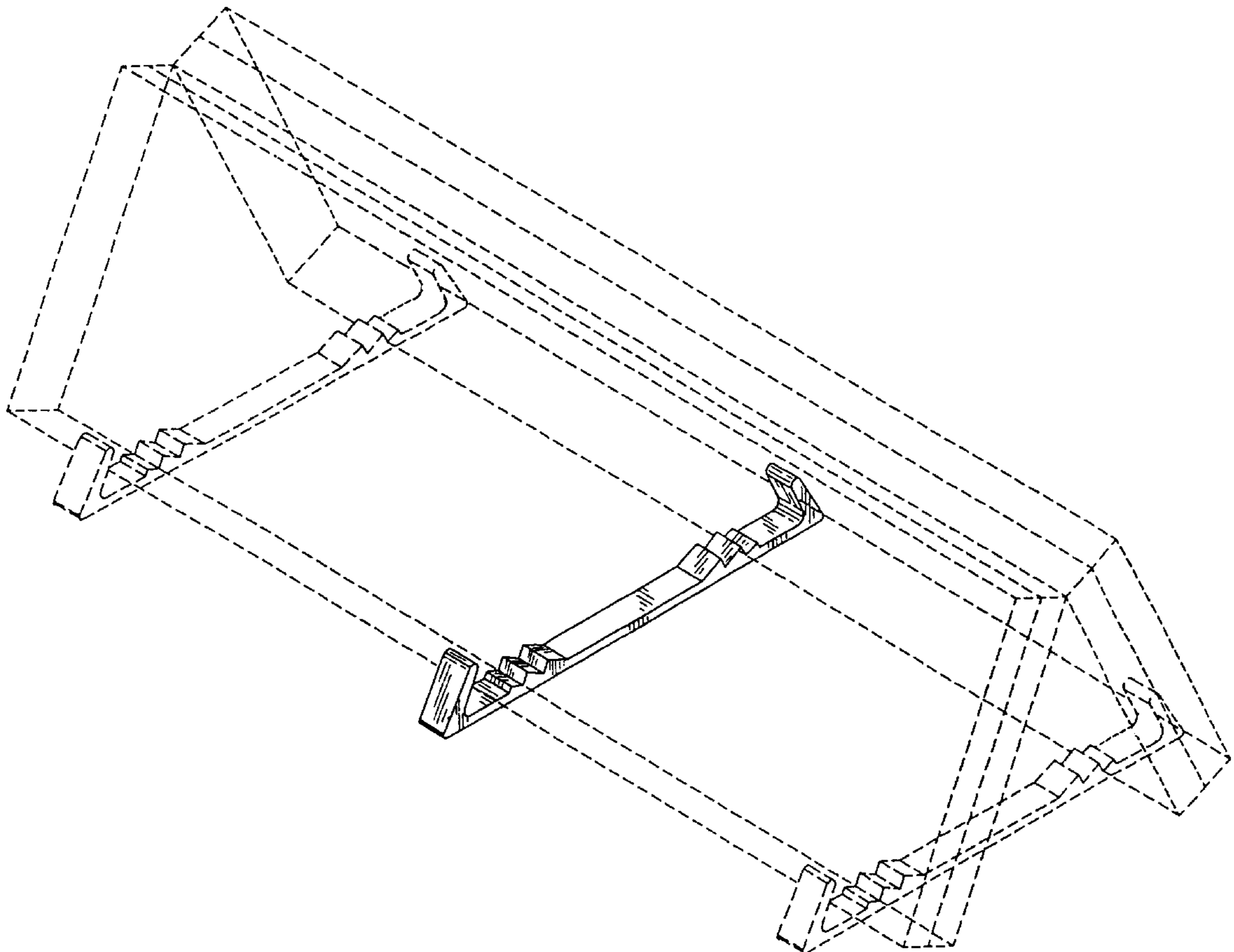
FIG. 2 show a front view of my design for an exercise mat holder;

FIG. 3 shows a top view thereof;

FIG. 4 shows a bottom view thereof; and,

FIG. 5 shows a right side view thereof and wherein the left side view is identical.

1 Claim, 3 Drawing Sheets



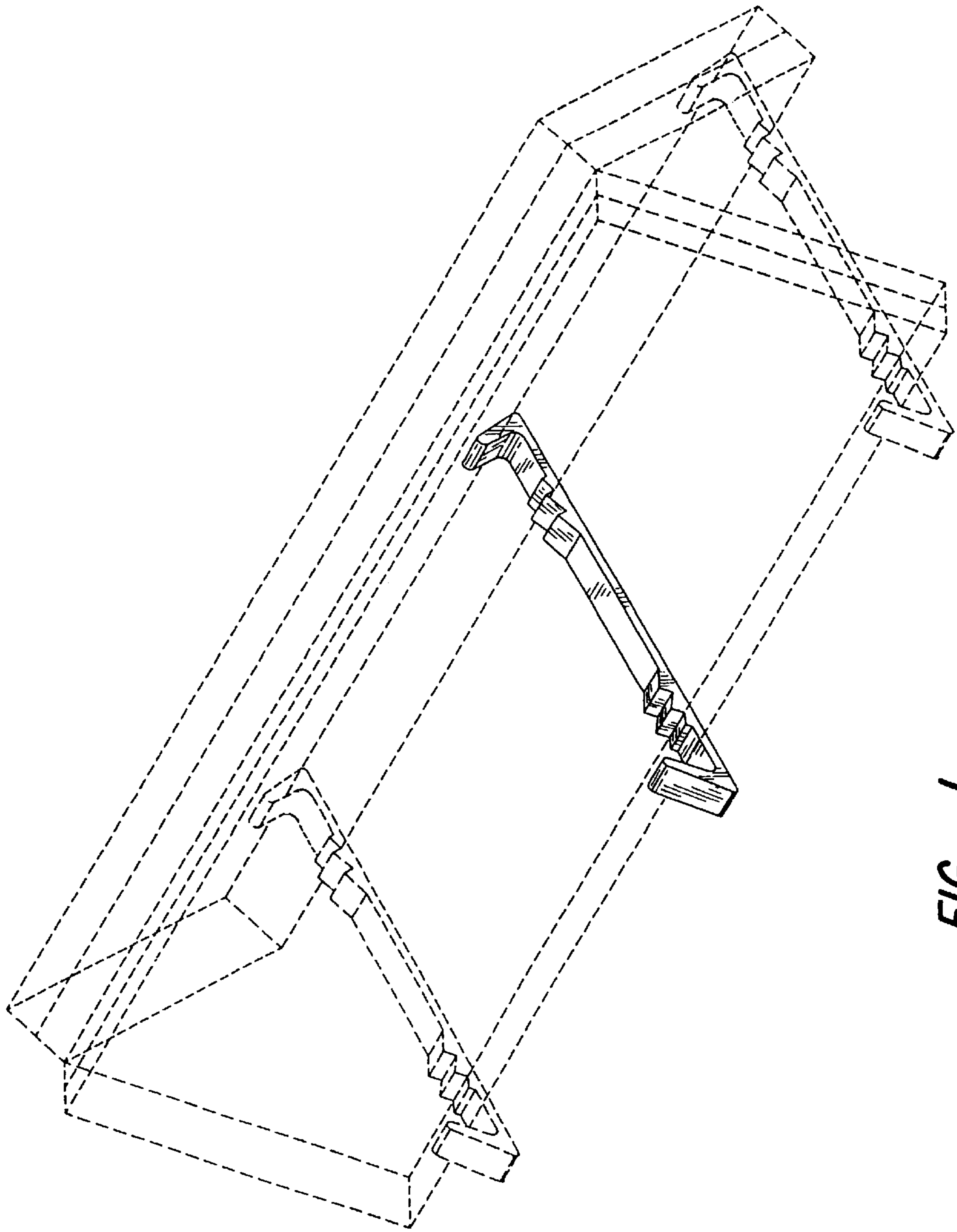


FIG. 1

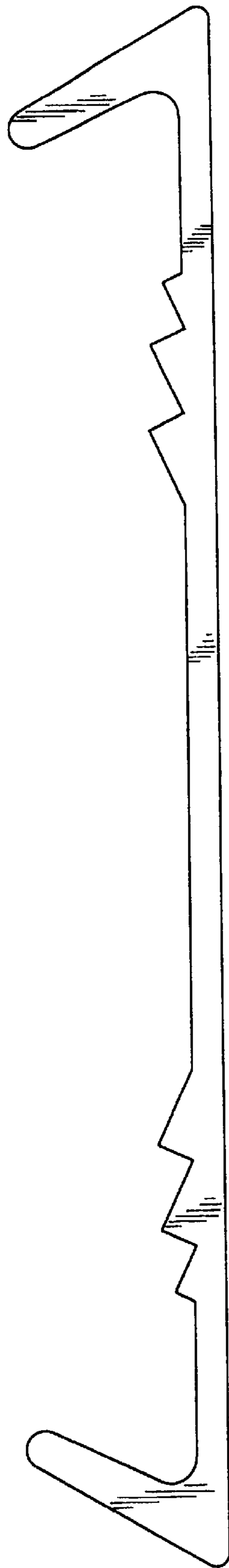


FIG. 2

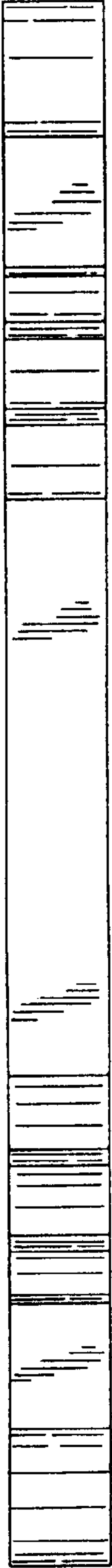


FIG. 3

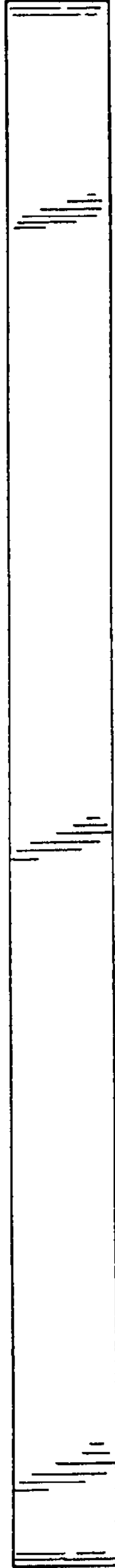


FIG. 4

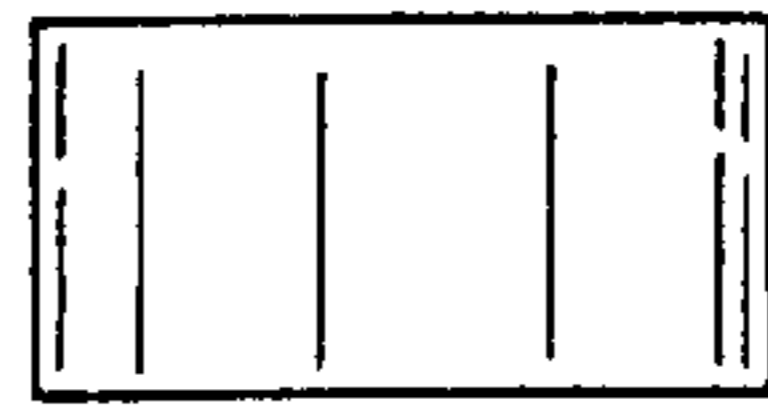


FIG. 5