



US00D450795B1

(12) **United States Design Patent**
Riley, Jr.

(10) **Patent No.:** **US D450,795 S**

(45) **Date of Patent:** **** Nov. 20, 2001**

(54) **AEROBIC WEIGHT**

(76) **Inventor:** **John Riley, Jr.**, 2056 W. 12th St.,
Jacksonville, Duval County, FL (US)
32209

(**) **Term:** **14 Years**

(21) **Appl. No.:** **29/138,402**

(22) **Filed:** **Mar. 14, 2001**

Related U.S. Application Data

(62) Division of application No. 29/118,832, filed on Feb. 17,
2000.

(51) **LOC (7) Cl.** **21-02**

(52) **U.S. Cl.** **D21/683; D21/680**

(58) **Field of Search** D21/662, 680,
D21/681, 682, 683, 684; 482/105, 106,
108, 44

(56) **References Cited**

U.S. PATENT DOCUMENTS

D. 362,702	*	9/1995	Winston	D21/683
D. 370,510	*	6/1996	Kissin et al.	D21/683
4,556,215	*	12/1985	Tarbox et al.	482/105
5,169,371	*	12/1992	Holmes	482/105
5,667,446	*	9/1997	Riley, Jr.	482/105

5,704,883	*	1/1998	Eckmann	482/105
5,779,603	*	7/1998	Nusbaum	482/105
5,820,526	*	10/1998	Hoffman	482/55

* cited by examiner

Primary Examiner—Philip S. Hyder
(74) *Attorney, Agent, or Firm*—Lacasse & Associates;
Randy W. Lacasse

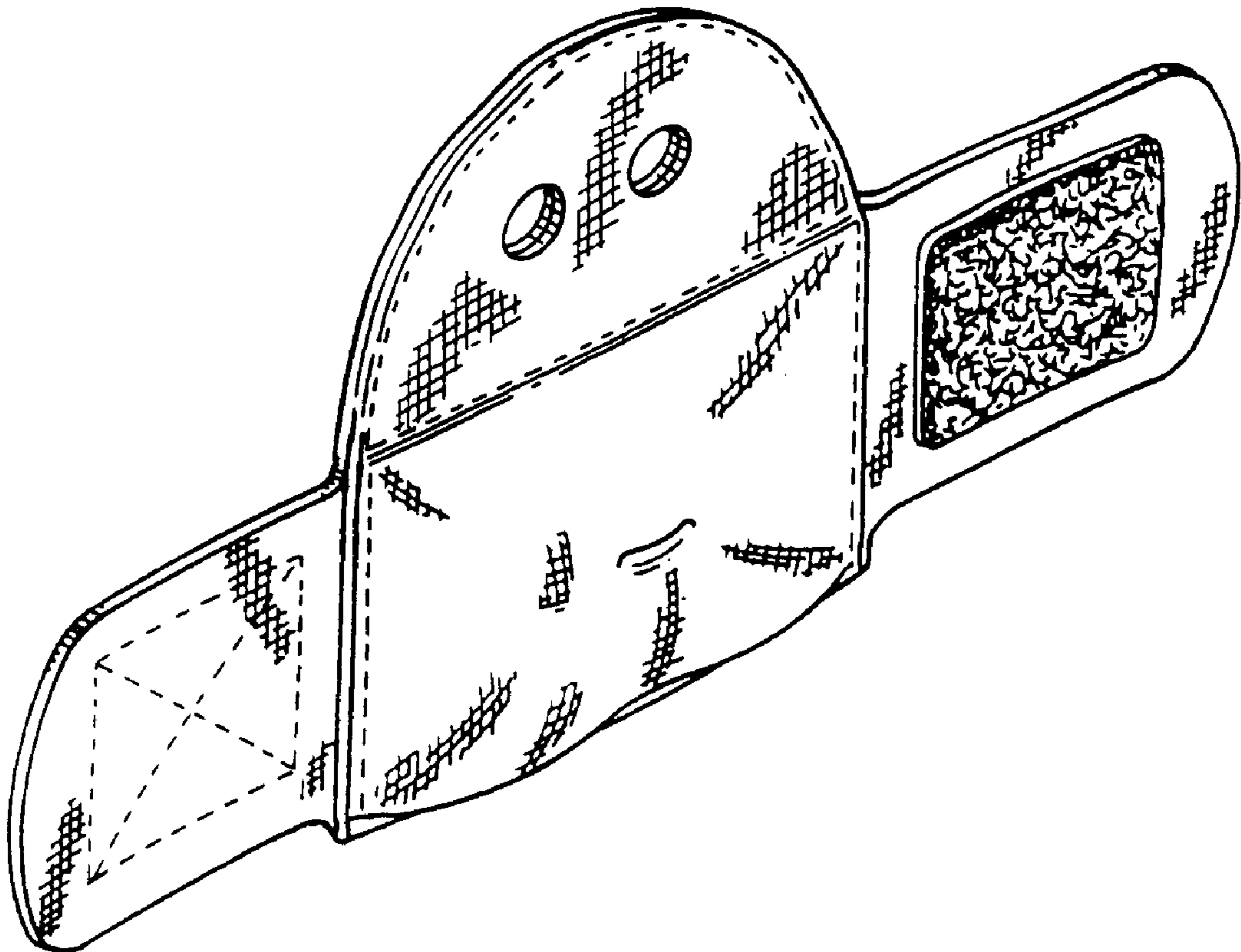
(57) **CLAIM**

The ornamental design for an aerobic weight, as shown and described.

DESCRIPTION

FIG. 1 illustrates a front perspective view of an aerobic weight.
 FIG. 2 illustrates a rear perspective view of the aerobic weight of FIG. 1.
 FIG. 3 illustrates a top view of the aerobic weight of FIG. 1.
 FIG. 4 illustrates a front perspective view of a second embodiment of the aerobic weight.
 FIG. 5 illustrates a rear perspective view of a second embodiment of the aerobic weight.
 FIG. 6 illustrates a front perspective view of a third embodiment of the aerobic weight; and,
 FIG. 7 illustrates a rear perspective view of a second embodiment of the aerobic weight.

1 Claim, 3 Drawing Sheets



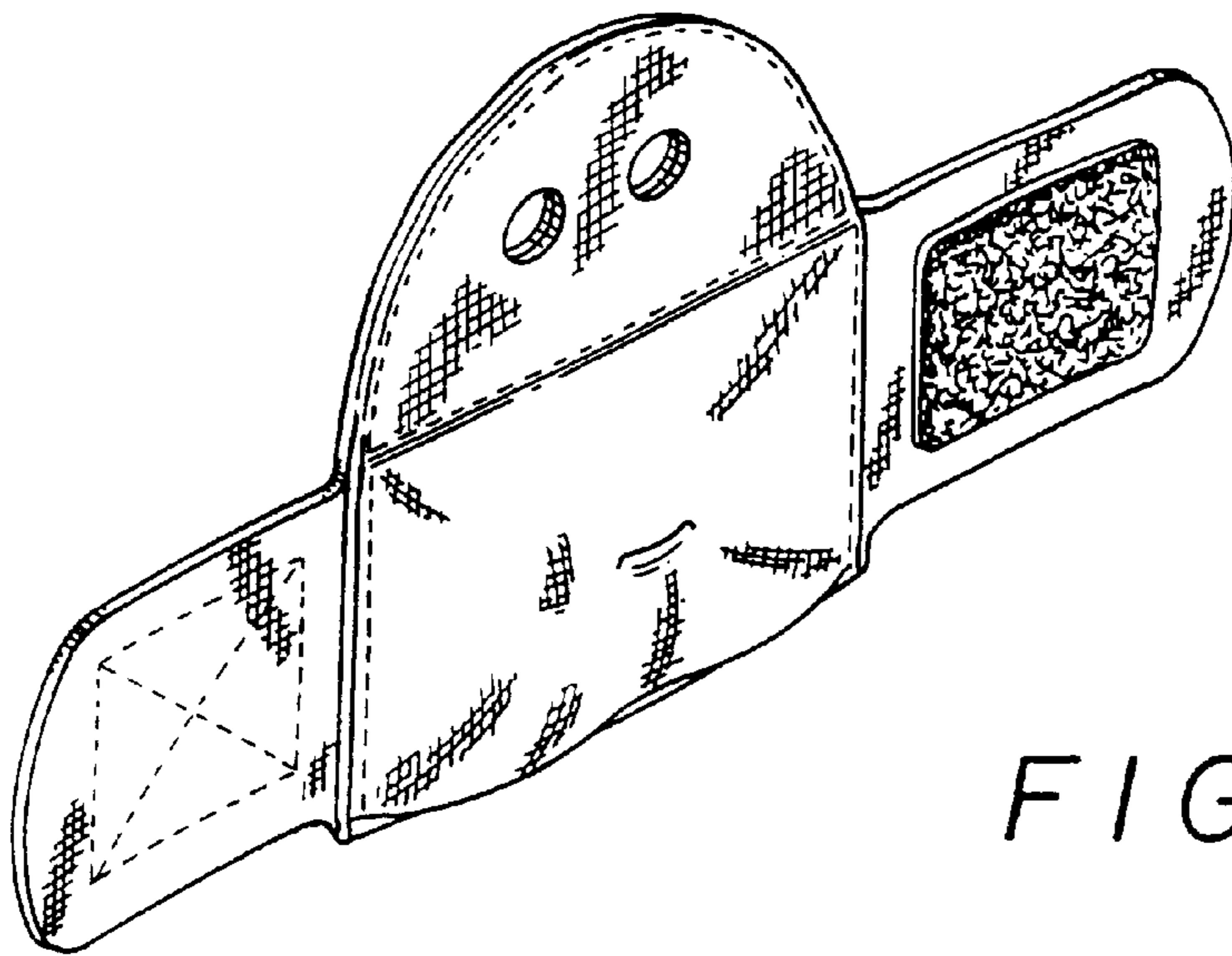


FIG. 1

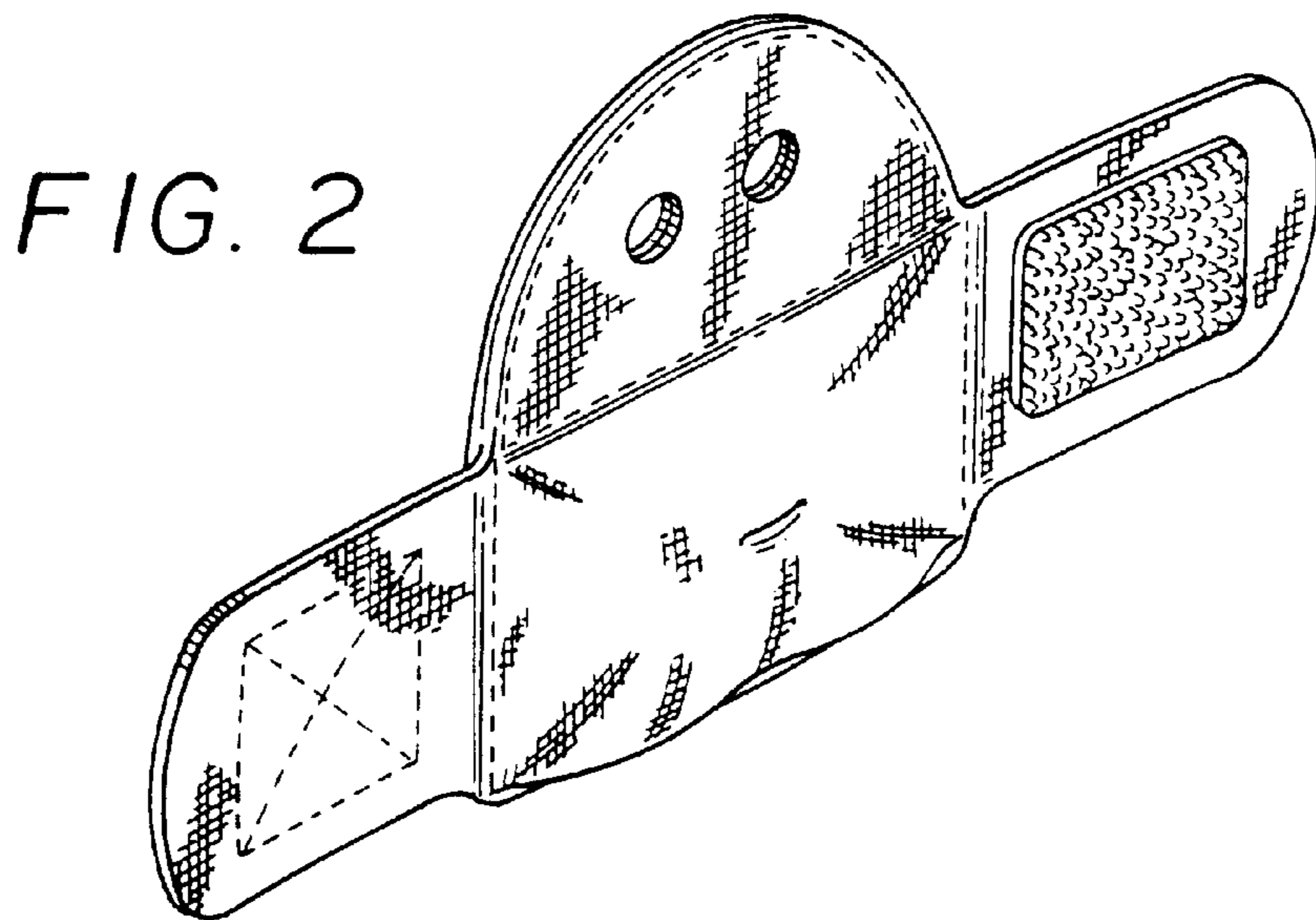


FIG. 2

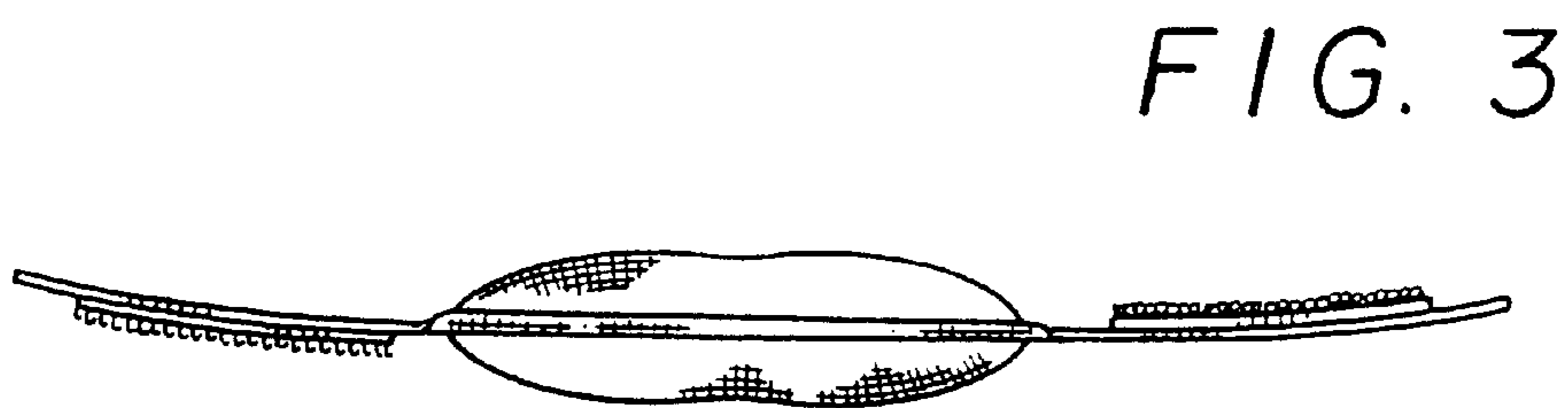


FIG. 3

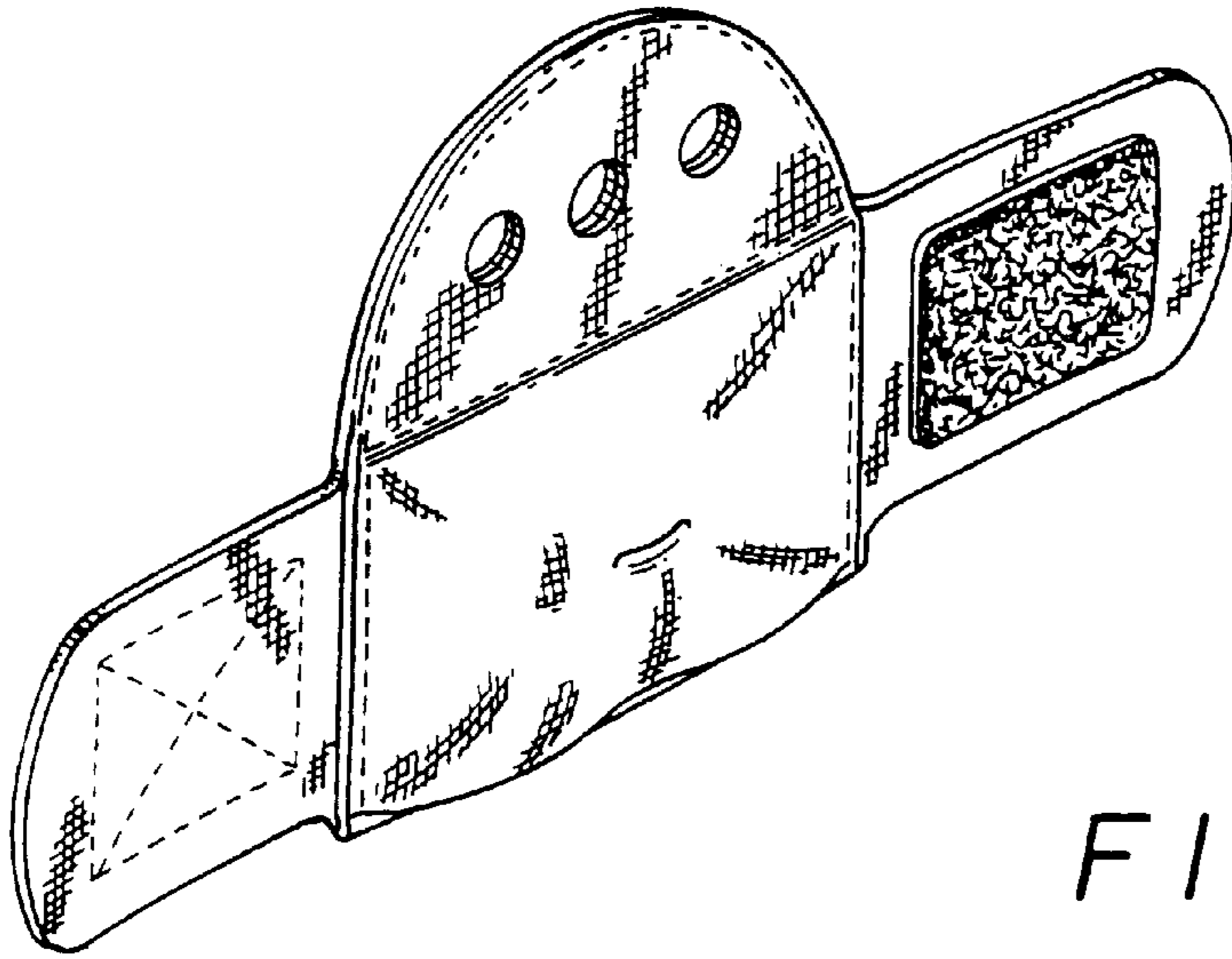


FIG. 4

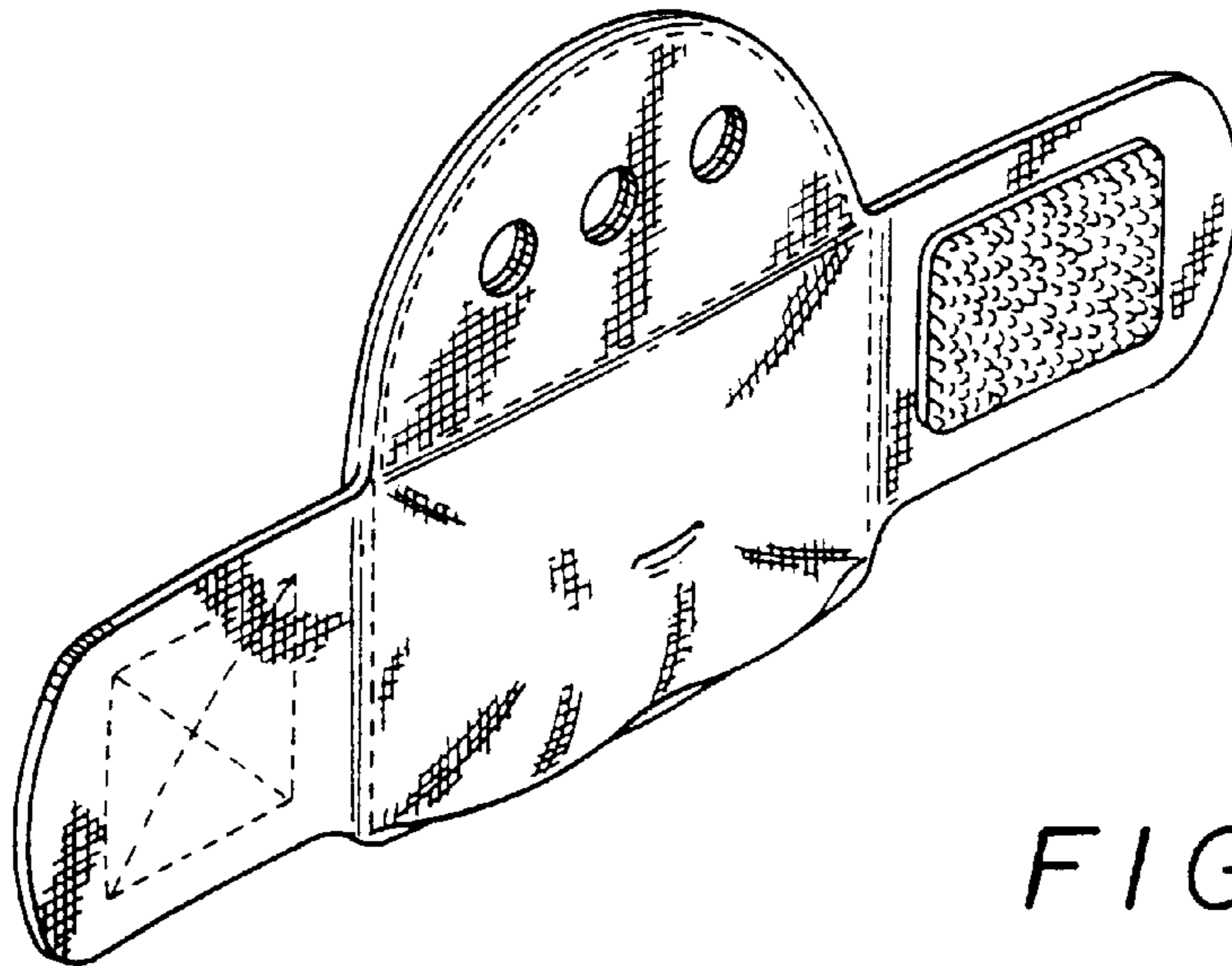


FIG. 5

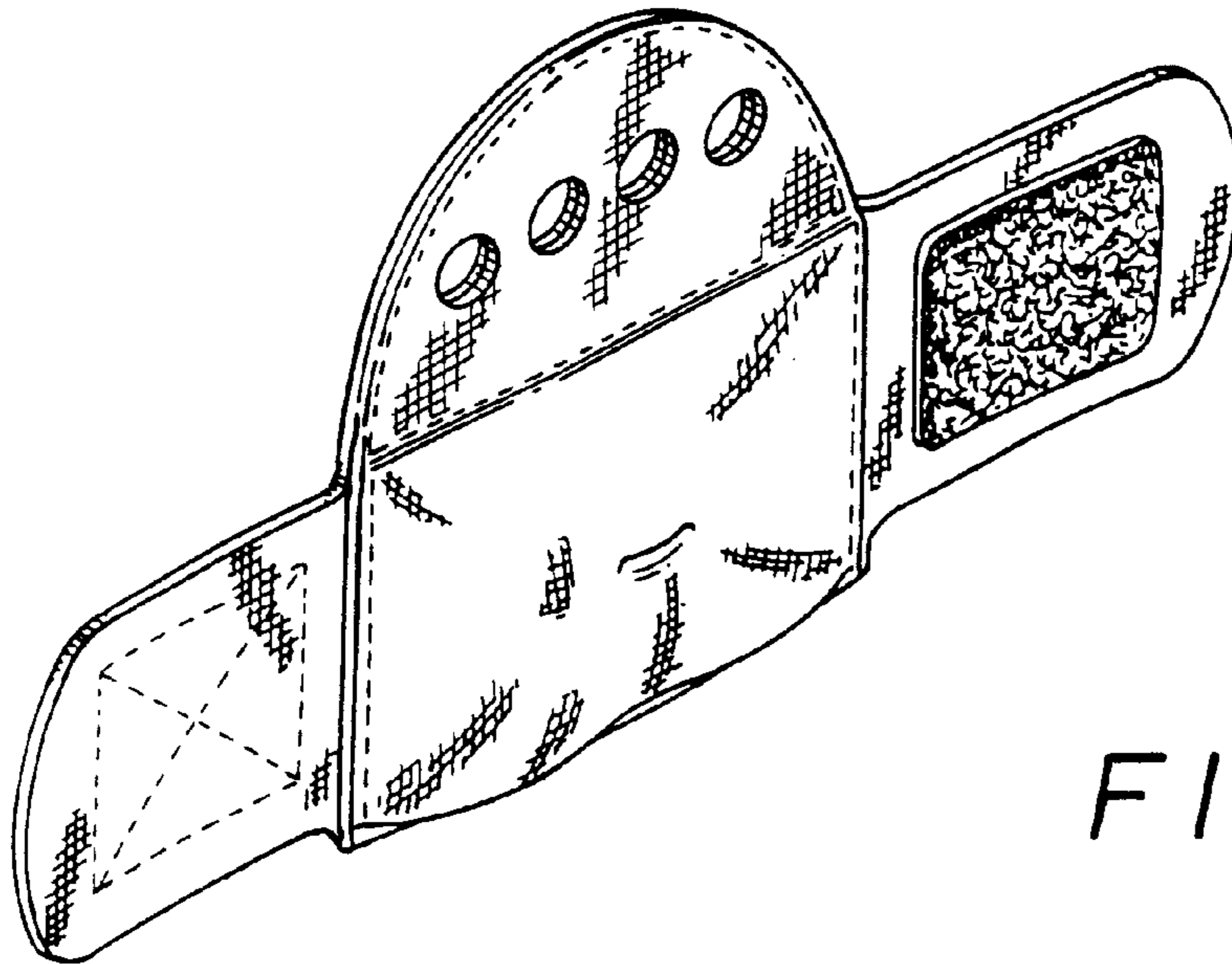


FIG. 6

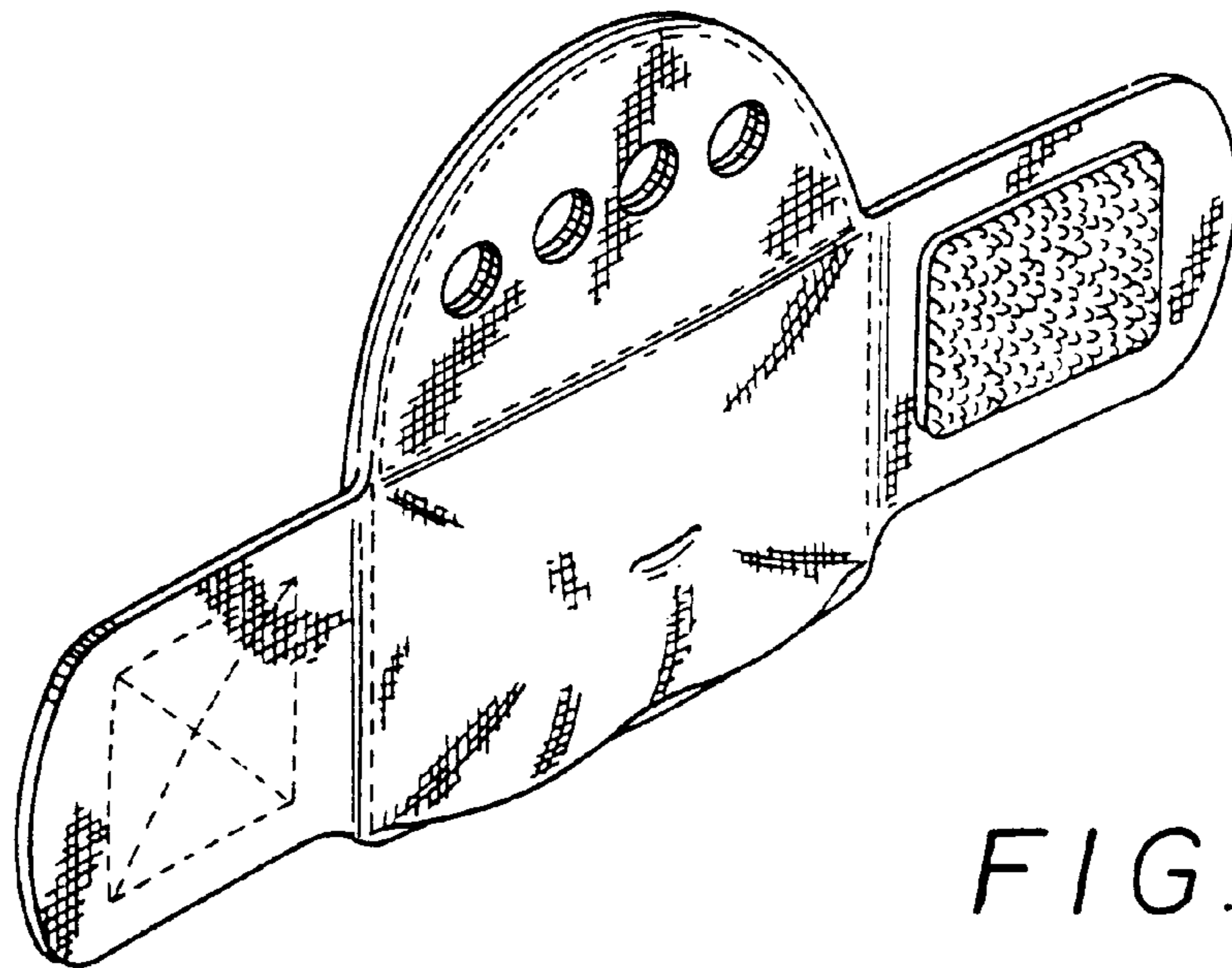


FIG. 7