



US00D450794B1

(12) **United States Design Patent**
Riley, Jr.

(10) **Patent No.:** **US D450,794 S**

(45) **Date of Patent:** **** Nov. 20, 2001**

(54) **AEROBIC WEIGHT**

(76) **Inventor:** **John Riley, Jr.**, 2056 W. 12th St.,
Jacksonville, Duval County, FL (US)
32209

(**) **Term:** **14 Years**

(21) **Appl. No.:** **29/118,832**

(22) **Filed:** **Feb. 17, 2000**

(51) **LOC (7) Cl.** **21-02**

(52) **U.S. Cl.** **D21/683; D21/680**

(58) **Field of Search** **D21/662, 680,**
D21/681, 682, 683, 684; 482/105, 106,
108, 44

(56) **References Cited**

U.S. PATENT DOCUMENTS

- D. 362,702 * 9/1995 Winston D21/683
- D. 370,510 * 6/1996 Kissin et al. D21/683
- 4,556,215 * 12/1985 Tarbox et al. 482/105

- 5,169,371 * 12/1992 Holmes 482/105
- 5,667,446 * 9/1997 Riley, Jr. 482/105
- 5,704,883 * 1/1998 Eckmann 482/105
- 5,779,603 * 7/1998 Nusbaum 482/105
- 5,820,526 * 10/1998 Hoffman 482/55

* cited by examiner

Primary Examiner—Philip S. Hyder

(74) *Attorney, Agent, or Firm*—Lacasse & Associates;
Randy W. Lacasse

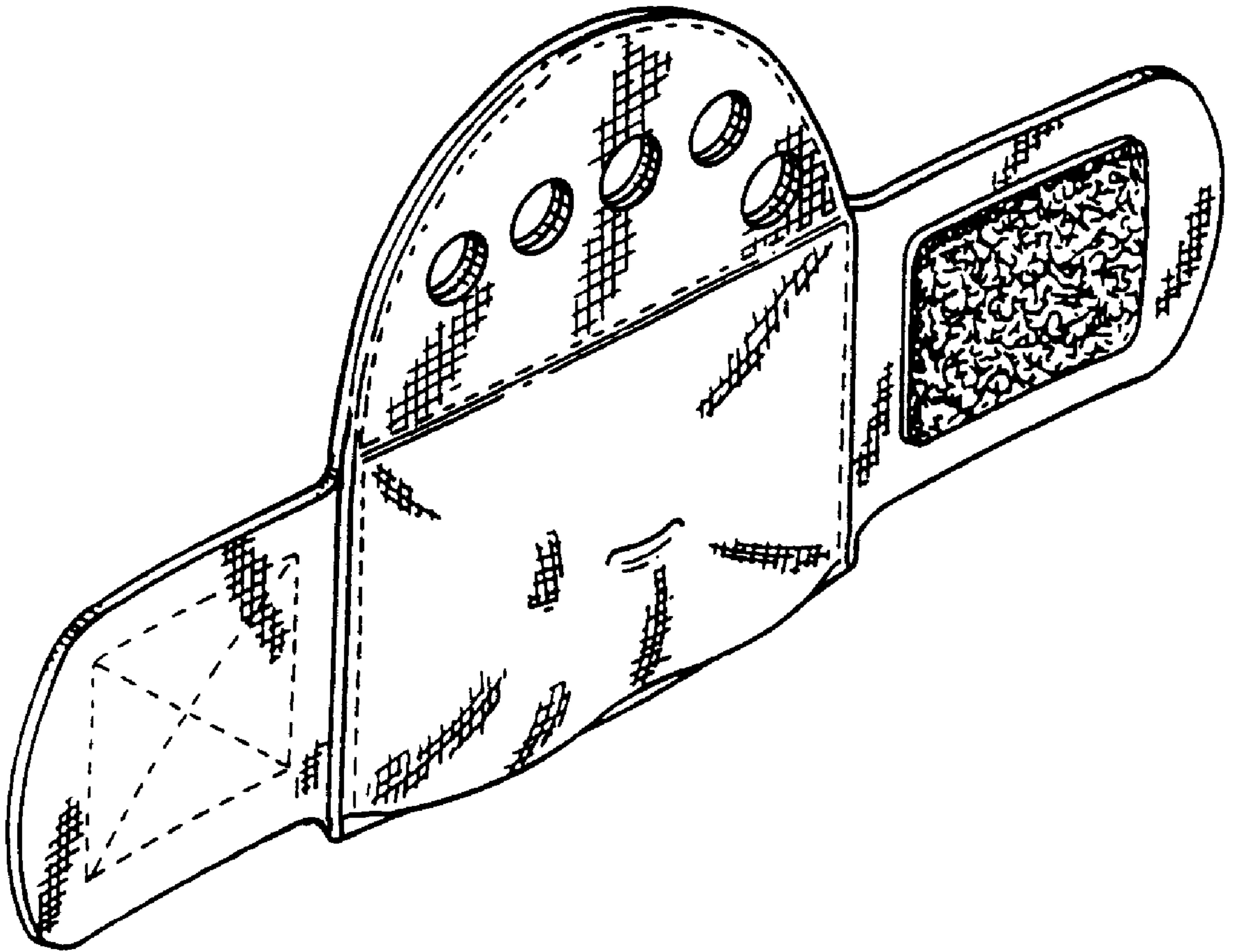
(57) **CLAIM**

The ornamental design for an aerobic weight, substantially as shown and described.

DESCRIPTION

FIG. 1 illustrates a front view of an aerobic weight.
FIG. 2 illustrates a rear view of the aerobic weight of FIG. 1; and,
FIG. 3 illustrates a top view of the aerobic weight of FIG. 1.

1 Claim, 1 Drawing Sheet



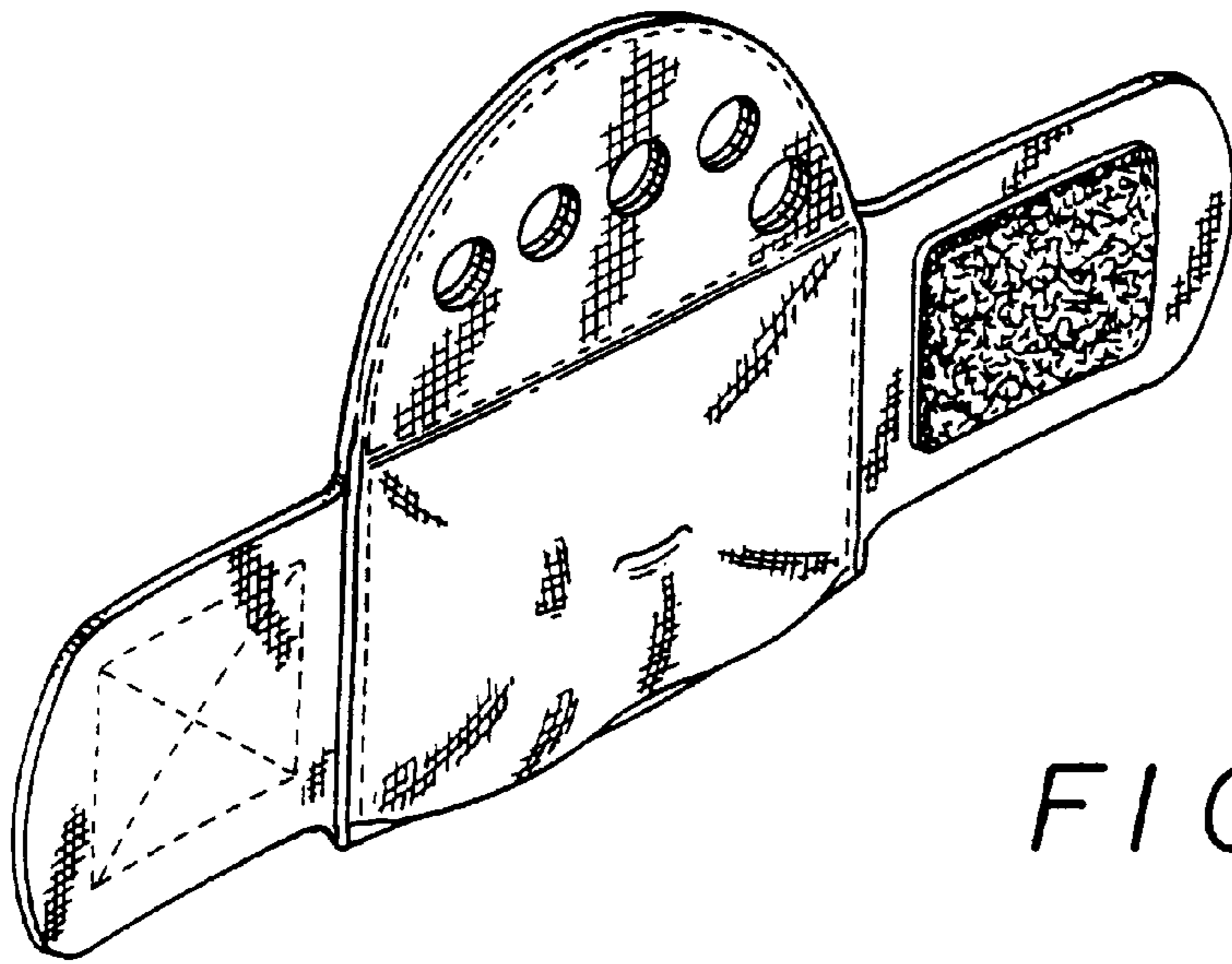


FIG. 1

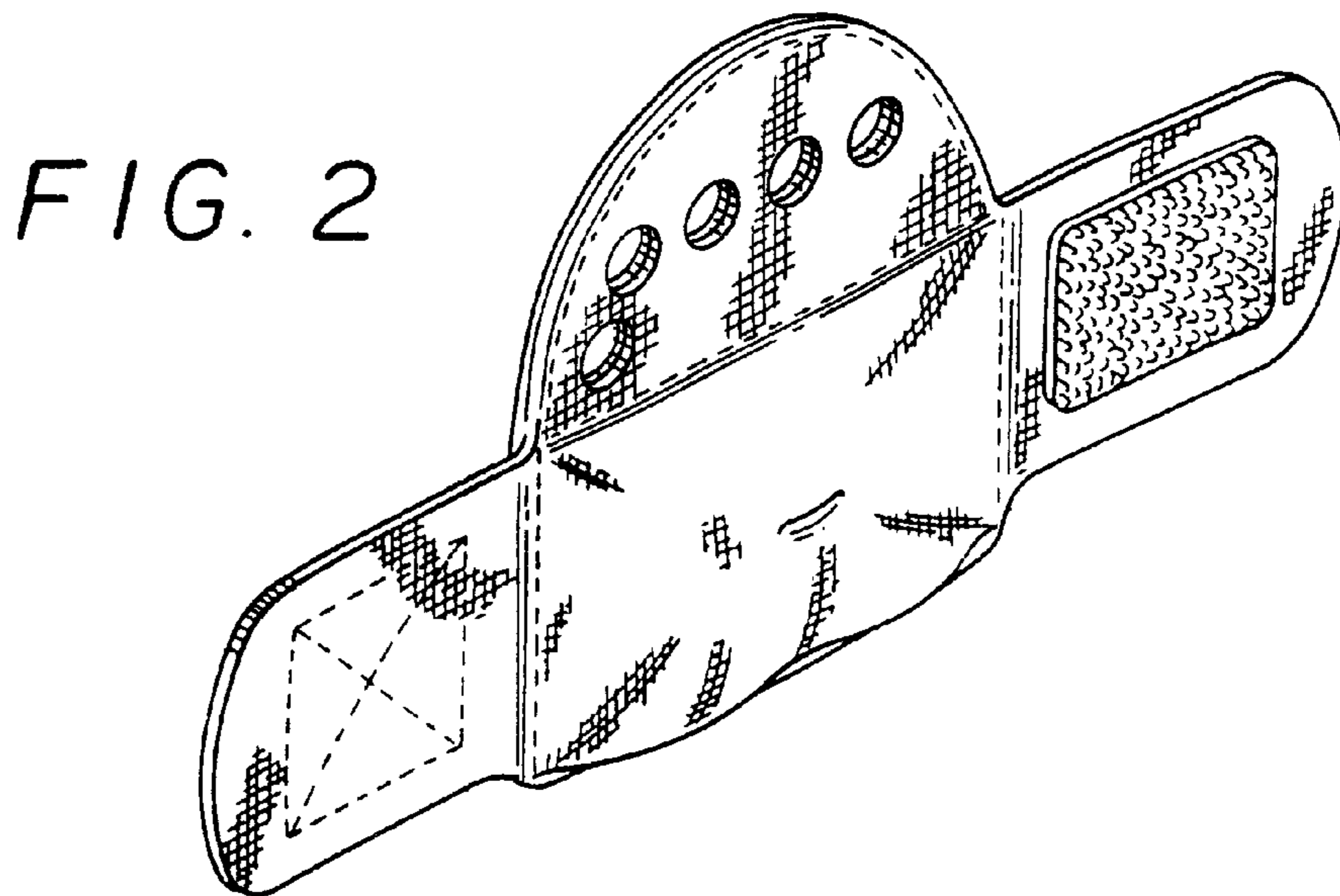


FIG. 2

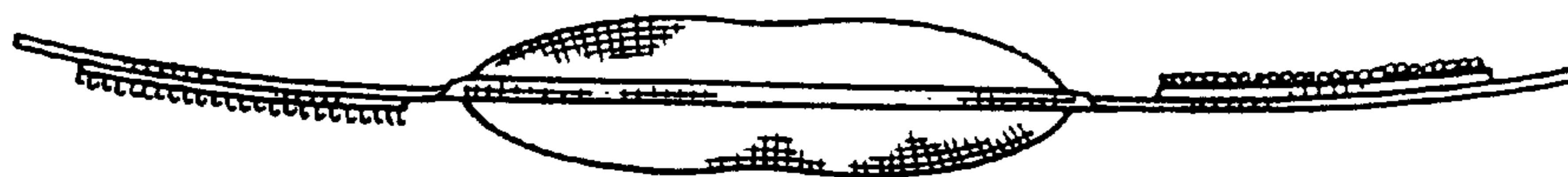


FIG. 3