



US00D450792B1

(12) **United States Design Patent**
Kuo

(10) **Patent No.:** **US D450,792 S**

(45) **Date of Patent:** **** Nov. 20, 2001**

(54) **TREADMILL**

(76) Inventor: **Hai Pin Kuo**, No. 67, 109 Array, Lane
330, Dahtung Road, Sec. 2, Tainan City
(TW)

(**) Term: **14 Years**

(21) Appl. No.: **29/136,069**

(22) Filed: **Jan. 25, 2001**

(51) **LOC (7) Cl.** **21-02**

(52) **U.S. Cl.** **D21/669**

(58) **Field of Search** D21/669, 662;
482/51, 52, 54, 70

(56) **References Cited**

U.S. PATENT DOCUMENTS

D. 280,002	*	8/1985	Smith	D21/669
D. 323,199	*	1/1992	Dalebout et al.	D21/669
D. 333,330	*	2/1993	Clem	D21/669
D. 365,611	*	12/1995	Hung	D21/669
D. 372,508	*	8/1996	Clem	D21/669
D. 392,351	*	3/1998	Coody et al.	D21/669

D. 403,034	*	12/1998	Moon et al.	D21/669
D. 414,518	*	9/1999	Wang et al.	D21/669
D. 416,298	*	11/1999	Onuma et al.	D21/669
6,126,576	*	10/2000	Wang	482/54
6,132,340	*	10/2000	Wang et al.	482/54

* cited by examiner

Primary Examiner—Philip S. Hyder

(74) *Attorney, Agent, or Firm*—Bacon & Thomas, PLLC

(57) **CLAIM**

The ornamental design for a treadmill, as shown.

DESCRIPTION

FIG. 1 is a perspective view of a treadmill showing my new design:

FIG. 2 is a front elevational view thereof;

FIG. 3 is a rear elevational view thereof;

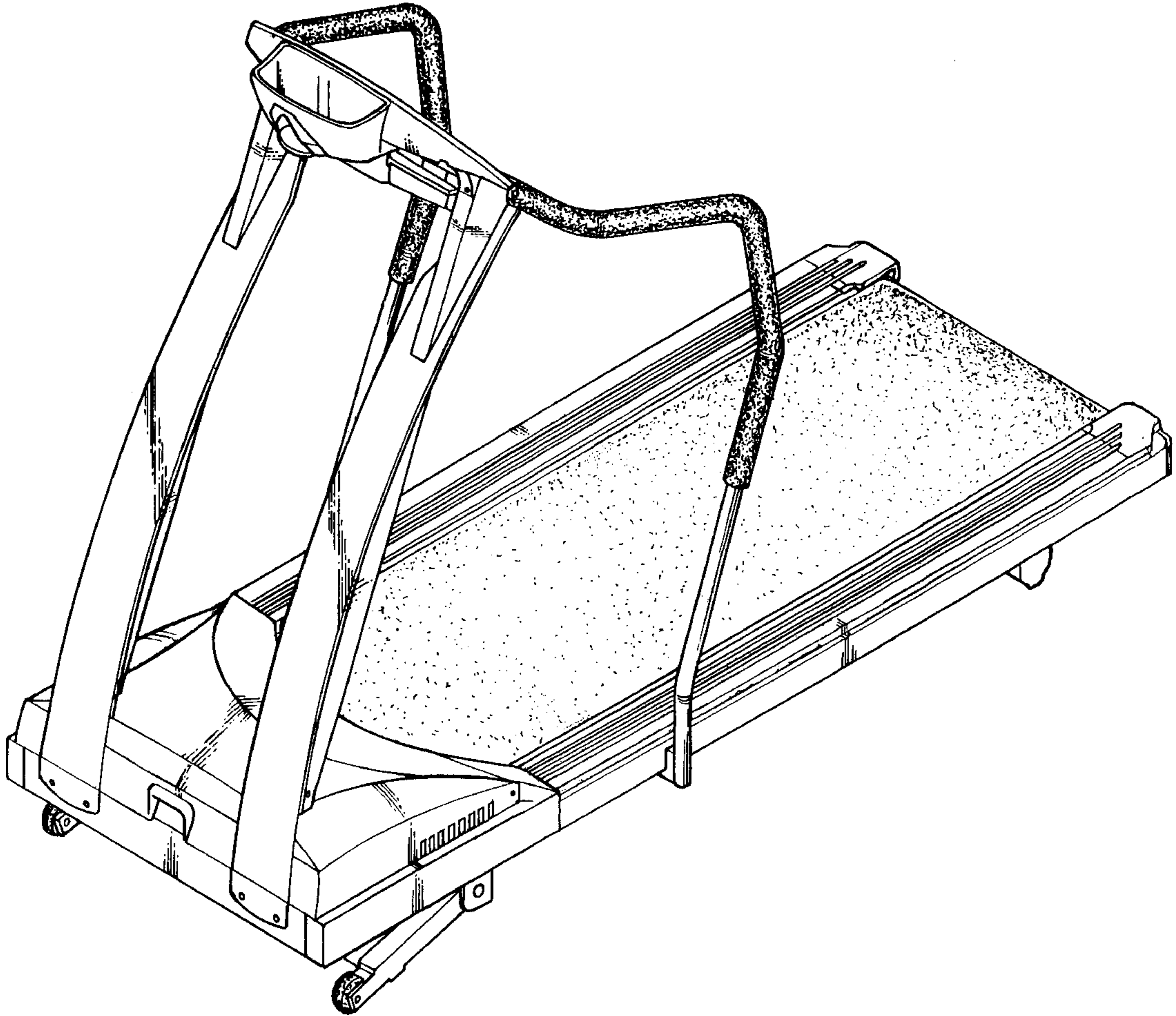
FIG. 4 is a left side elevational view thereof;

FIG. 5 is a right side elevational view thereof;

FIG. 6 is a top plan view thereof; and,

FIG. 7 is a bottom plan view thereof.

1 Claim, 7 Drawing Sheets



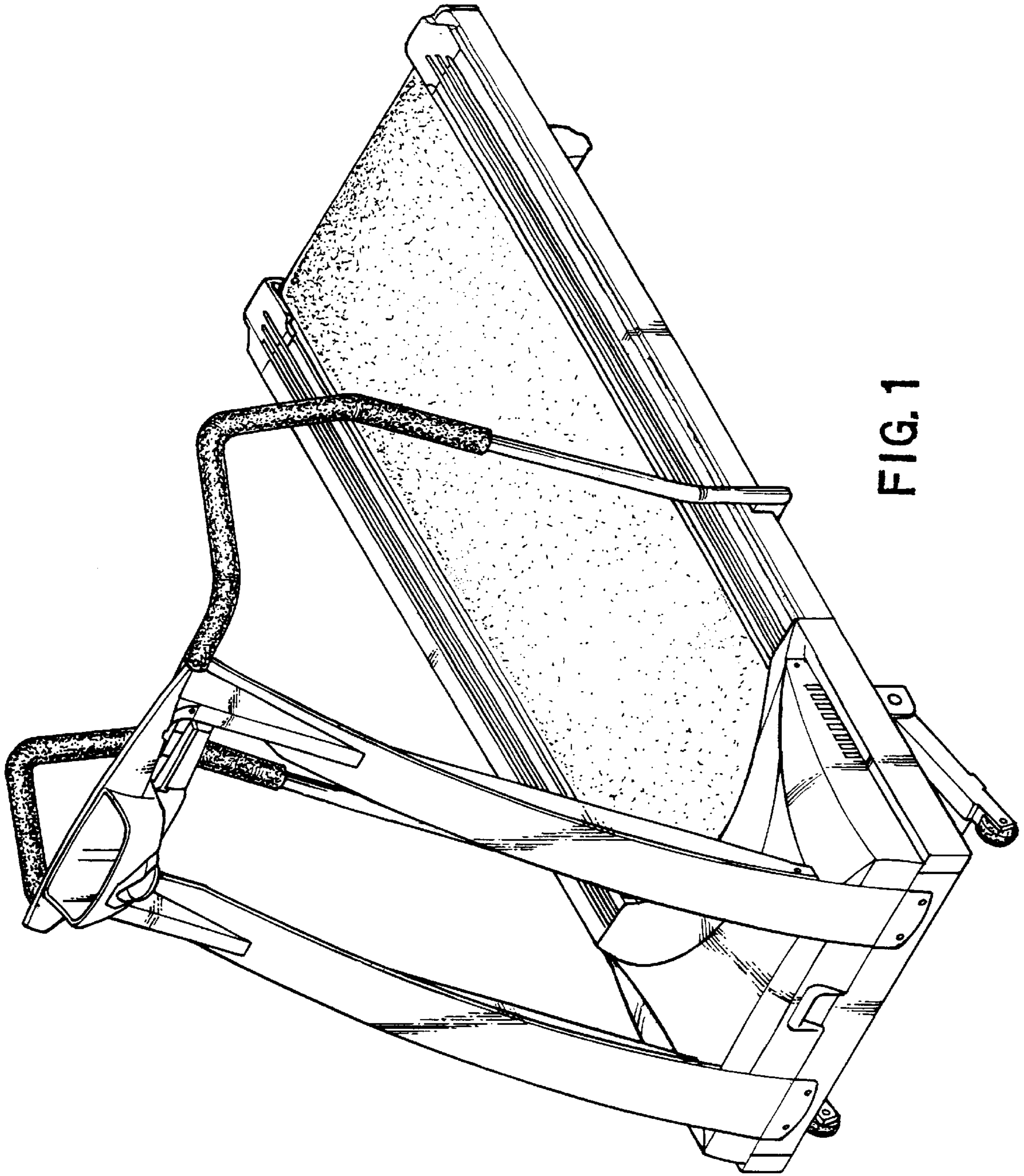


FIG. 1

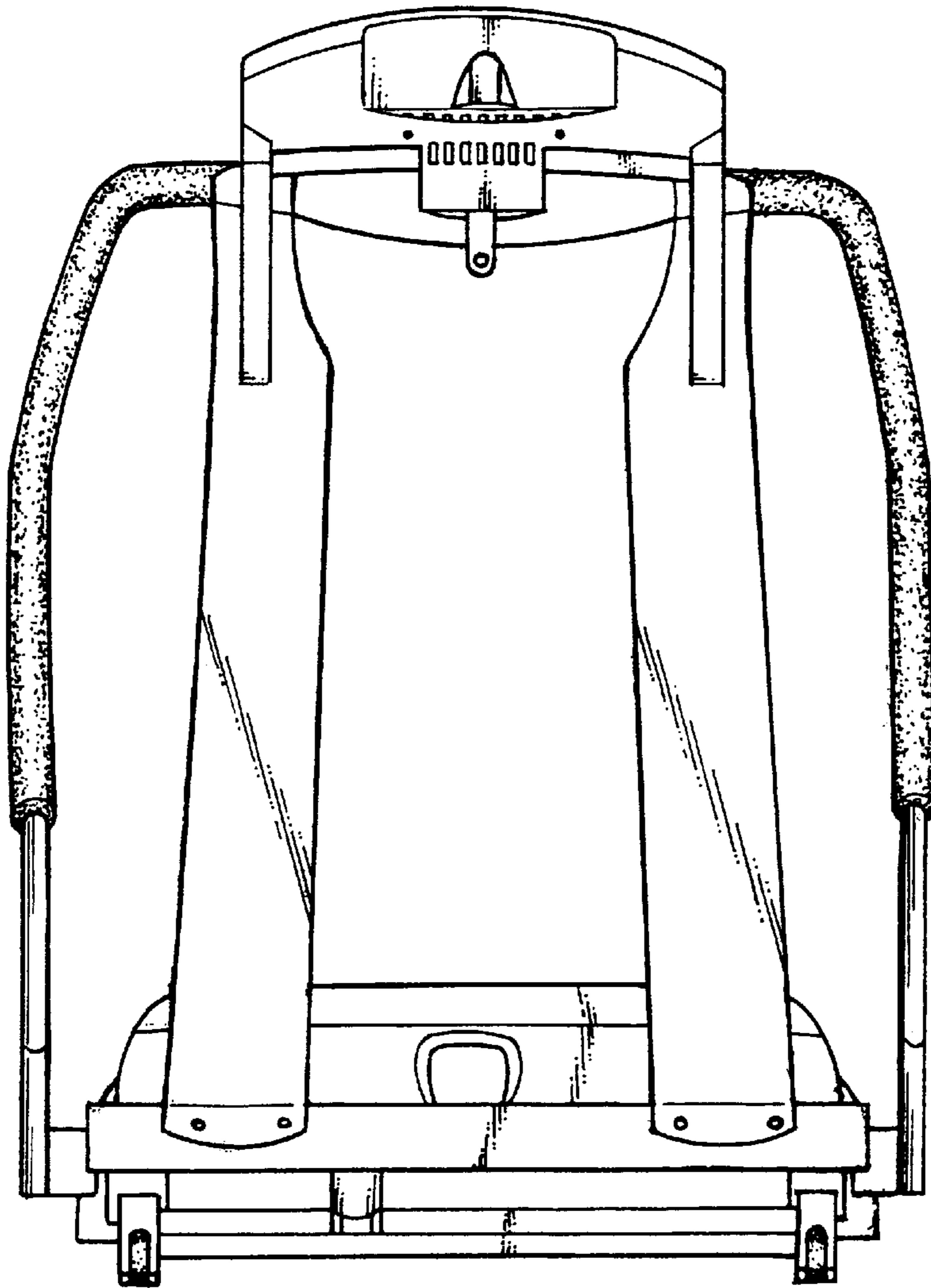


FIG. 2

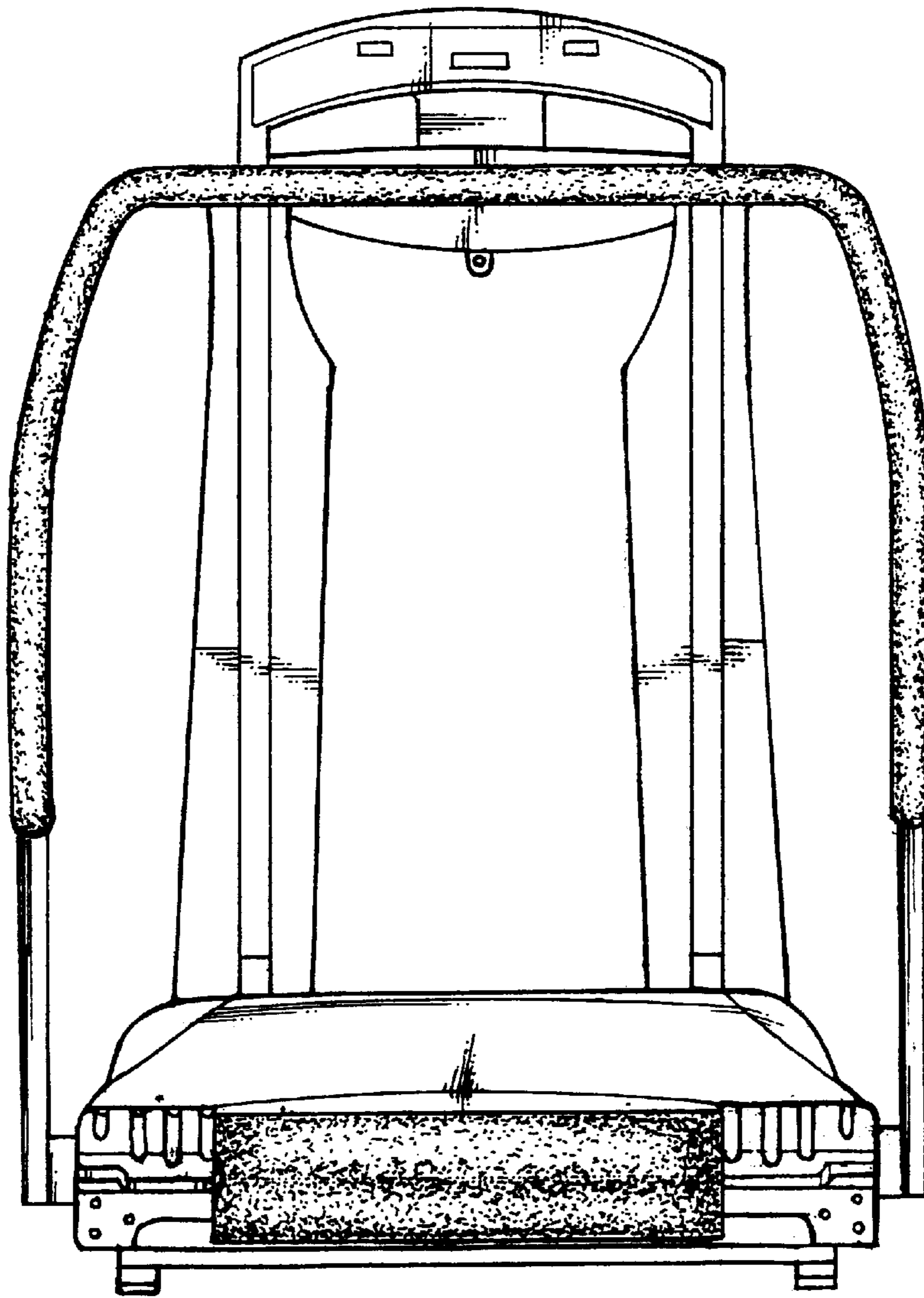


FIG. 3

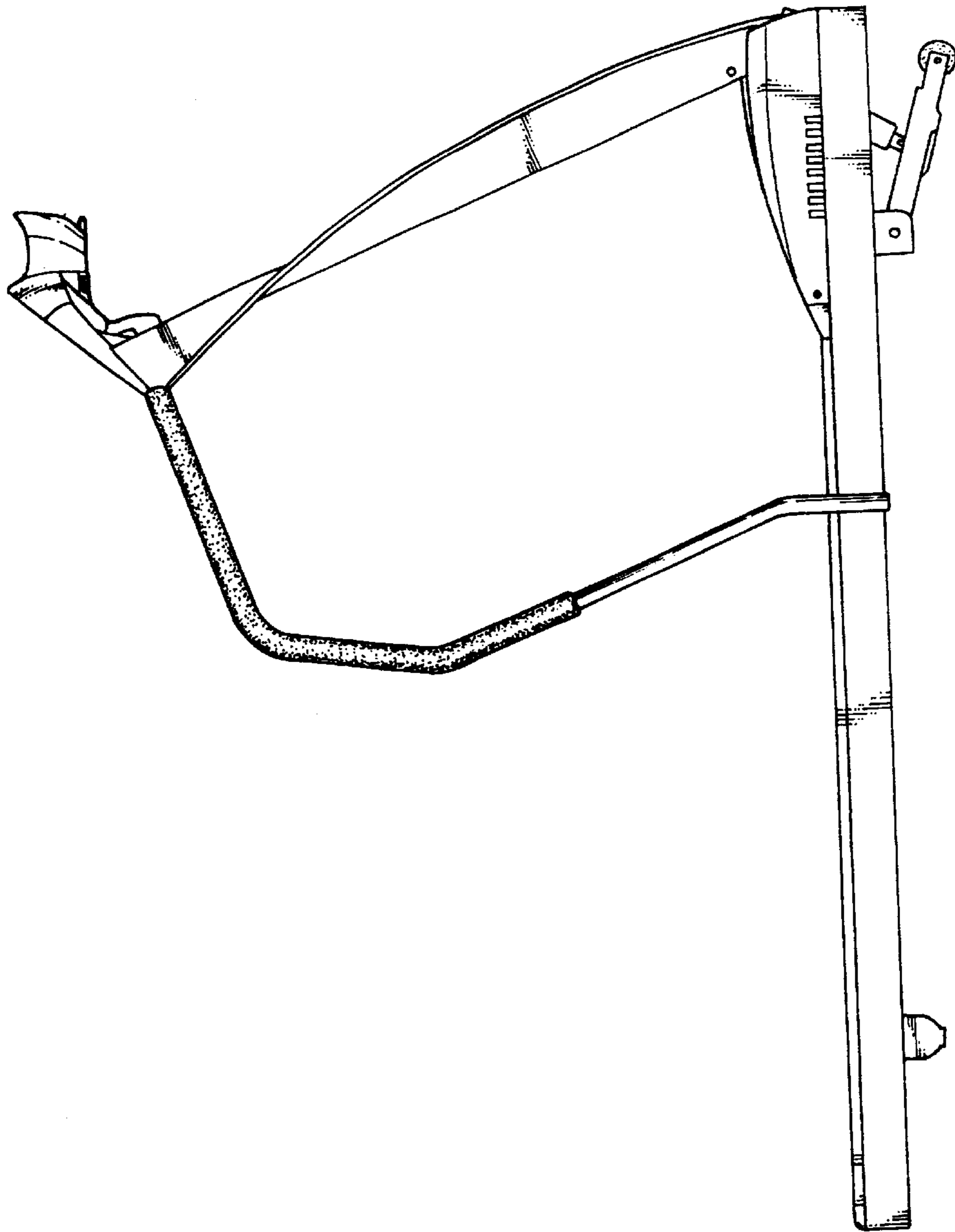


FIG. 4

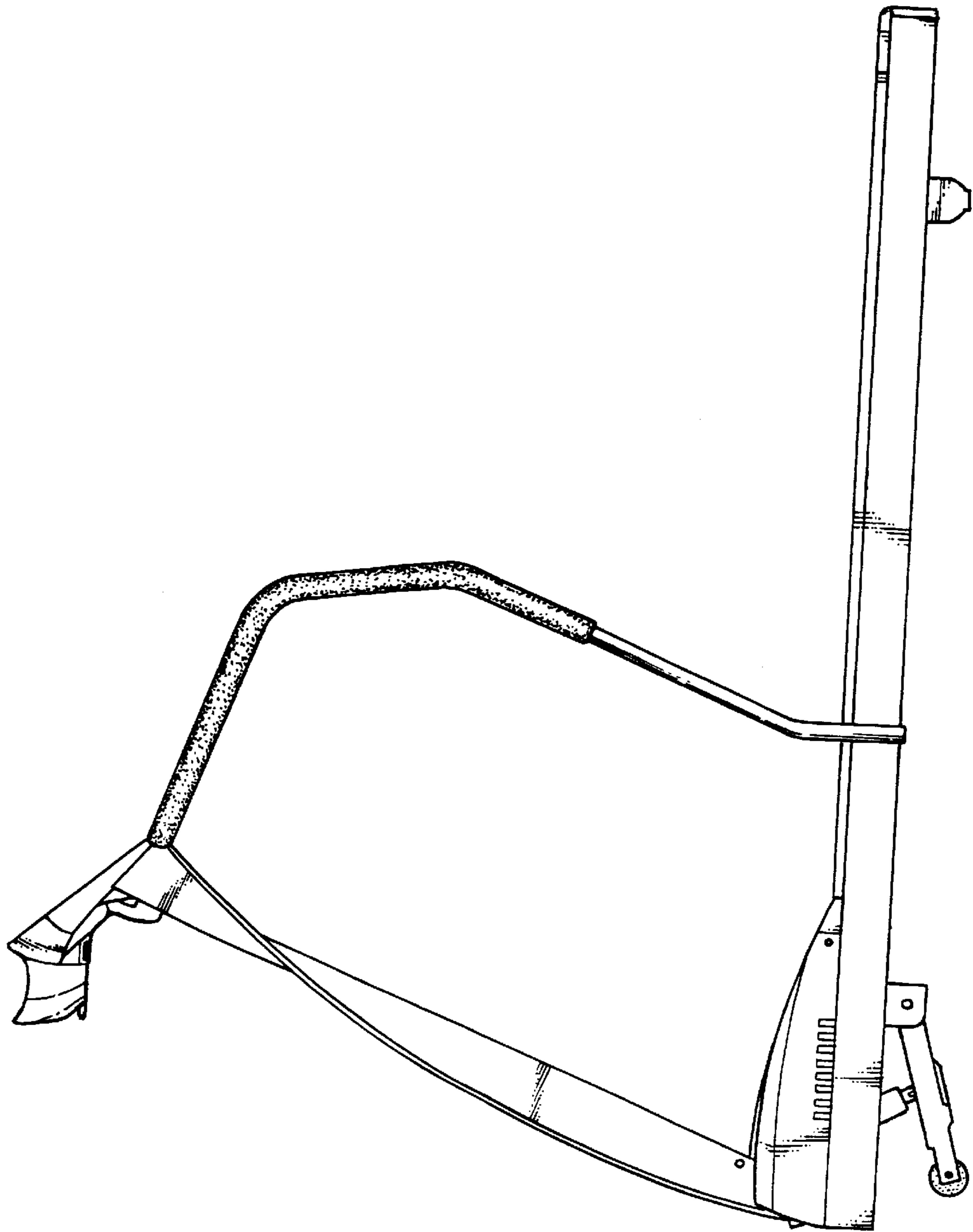


FIG. 5

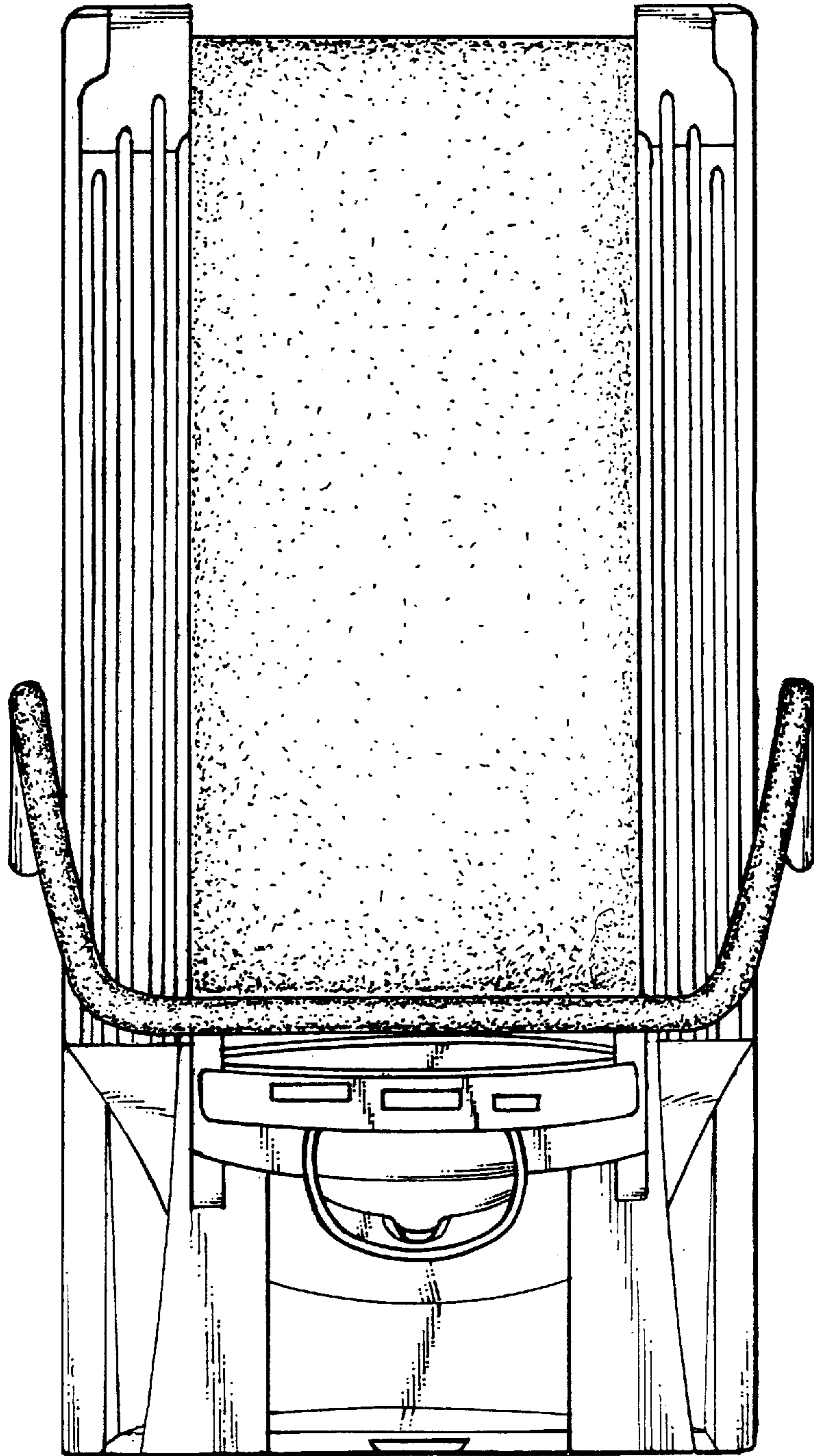


FIG. 6

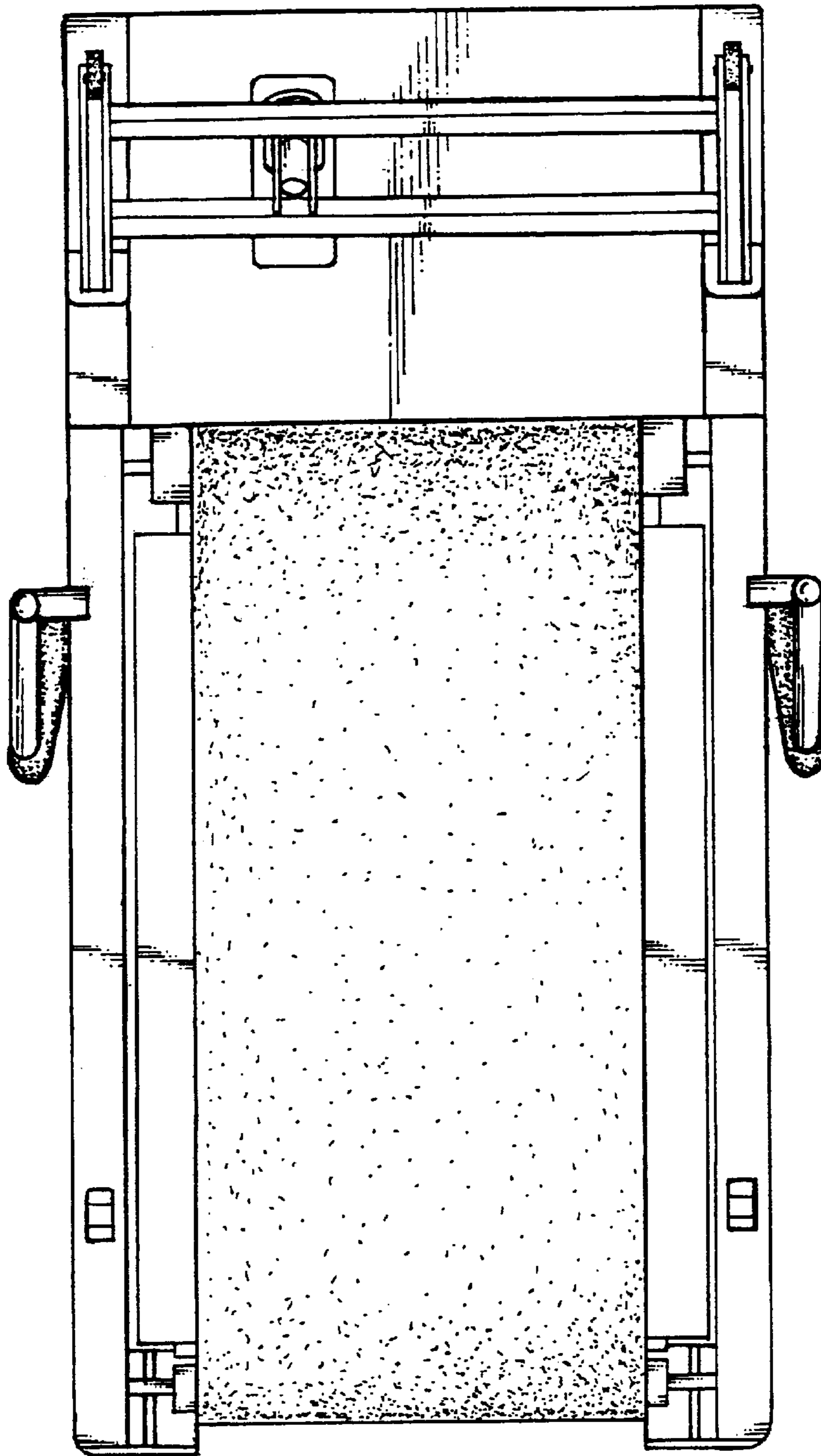


FIG. 7