



US00D450788B1

(12) **United States Design Patent**  
**Kawasaki**

(10) **Patent No.:** **US D450,788 S**

(45) **Date of Patent:** **\*\* Nov. 20, 2001**

(54) **PERSONAL ROBOT**

(75) Inventor: **Keigo Kawasaki**, Tokyo (JP)

(73) Assignee: **NEC Corporation**, Tokyo (JP)

(\*\*) Term: **14 Years**

(21) Appl. No.: **29/142,195**

(22) Filed: **May 22, 2001**

(30) **Foreign Application Priority Data**

Nov. 22, 2000 (JP) ..... 12-033352

(51) **LOC (7) Cl.** ..... **21-01**

(52) **U.S. Cl.** ..... **D21/578**

(58) **Field of Search** ..... D21/578, 621,  
D21/622, 623, 579-583, 592, 593; D15/199;  
446/272-274, 280, 384, 297-303, 354,  
352, 353, 269-271, 289-292, 279, 268

(56) **References Cited**

**U.S. PATENT DOCUMENTS**

- D. 258,900 \* 4/1981 Lanusse ..... D21/578
- D. 287,986 \* 1/1987 Matsui ..... D21/578
- D. 290,146 \* 6/1987 Horiuchi ..... D21/578

- D. 293,344 \* 12/1987 Shiraishi ..... D21/578
- D. 304,962 \* 12/1989 Watanabe ..... D21/578
- D. 353,323 \* 12/1994 Meng ..... D21/578
- 4,217,724 \* 8/1980 Schoenfield et al. .
- 4,673,371 \* 6/1987 Furakawa ..... 446/353
- 4,717,364 \* 1/1988 Furakawa ..... 446/280
- 4,752,272 \* 6/1988 Karasawa ..... 446/289

\* cited by examiner

*Primary Examiner*—Lucy Lieberman

(74) *Attorney, Agent, or Firm*—Sughrue, Mion, Zinn,  
Macpeak & Seas, PLLC

(57) **CLAIM**

The ornamental design for a personal robot, as shown.

**DESCRIPTION**

FIG. 1 is a perspective view of the top, front, and right side of a personal robot showing my new design; FIG. 2 is a front elevational view thereof; FIG. 3 is a rear elevational view thereof; FIG. 4 is a left side elevational view thereof; FIG. 5 is a right side elevational view thereof; FIG. 6 is a top plan view thereof; and, FIG. 7 is a bottom plan view thereof.

**1 Claim, 4 Drawing Sheets**

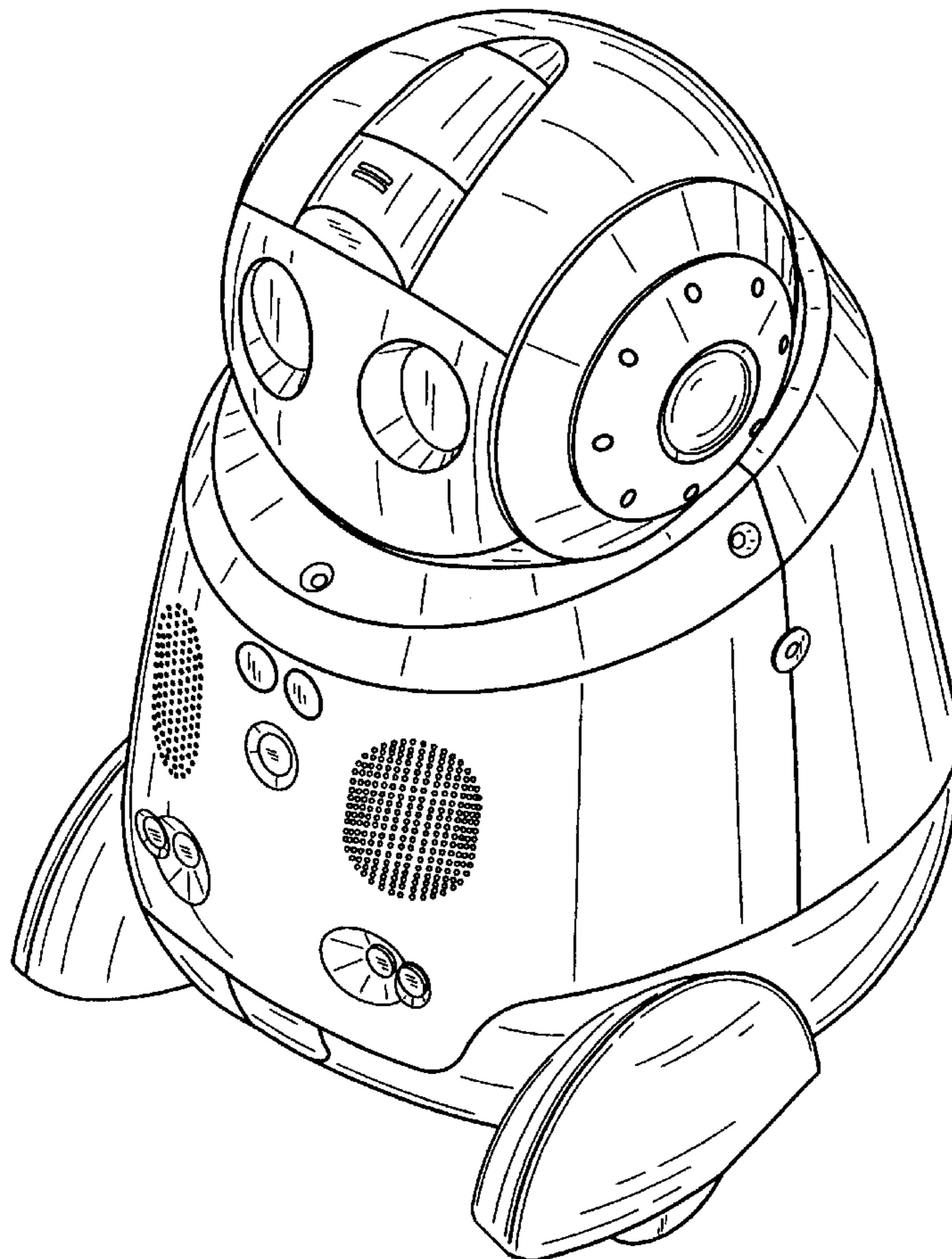


FIG. 1

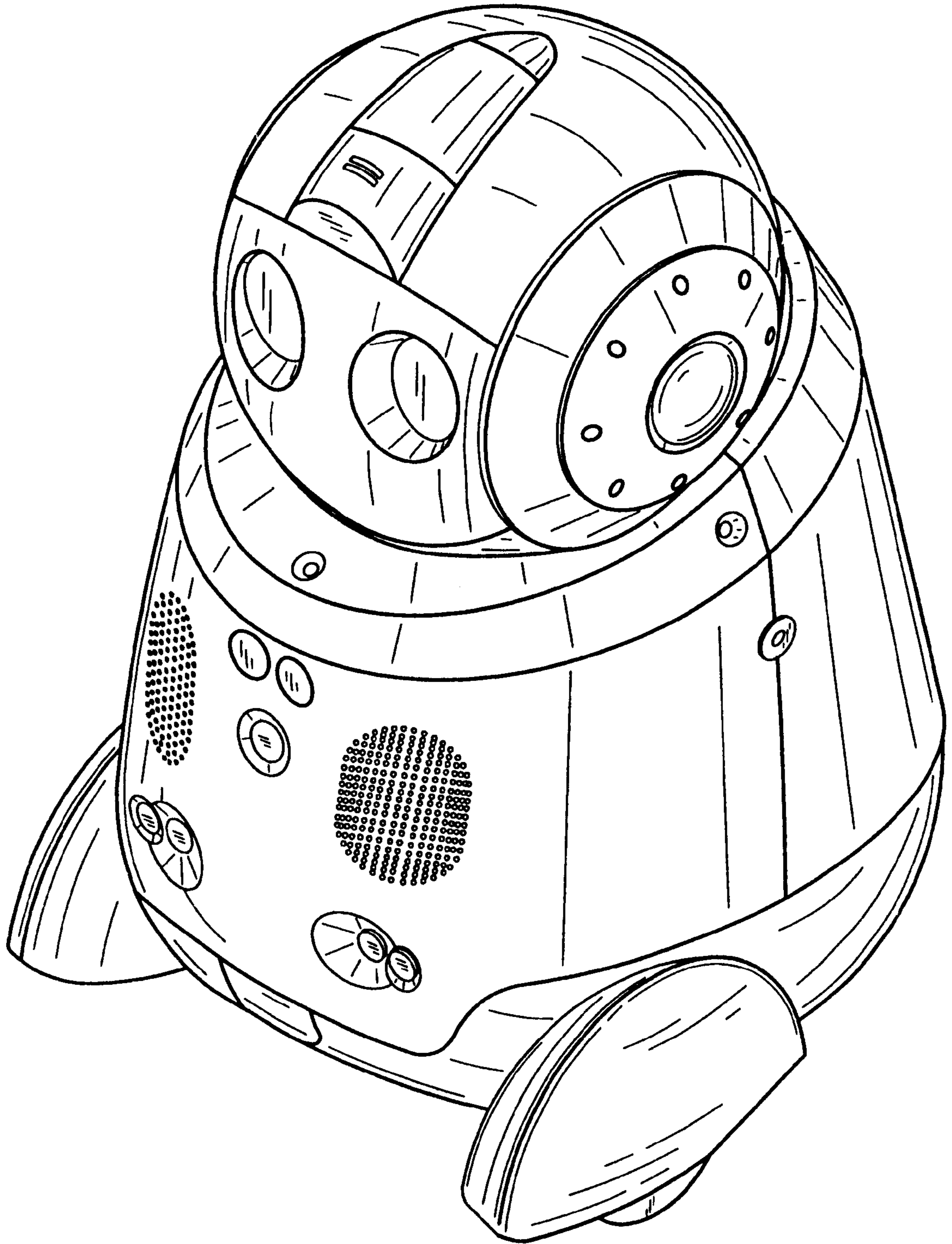


FIG. 2

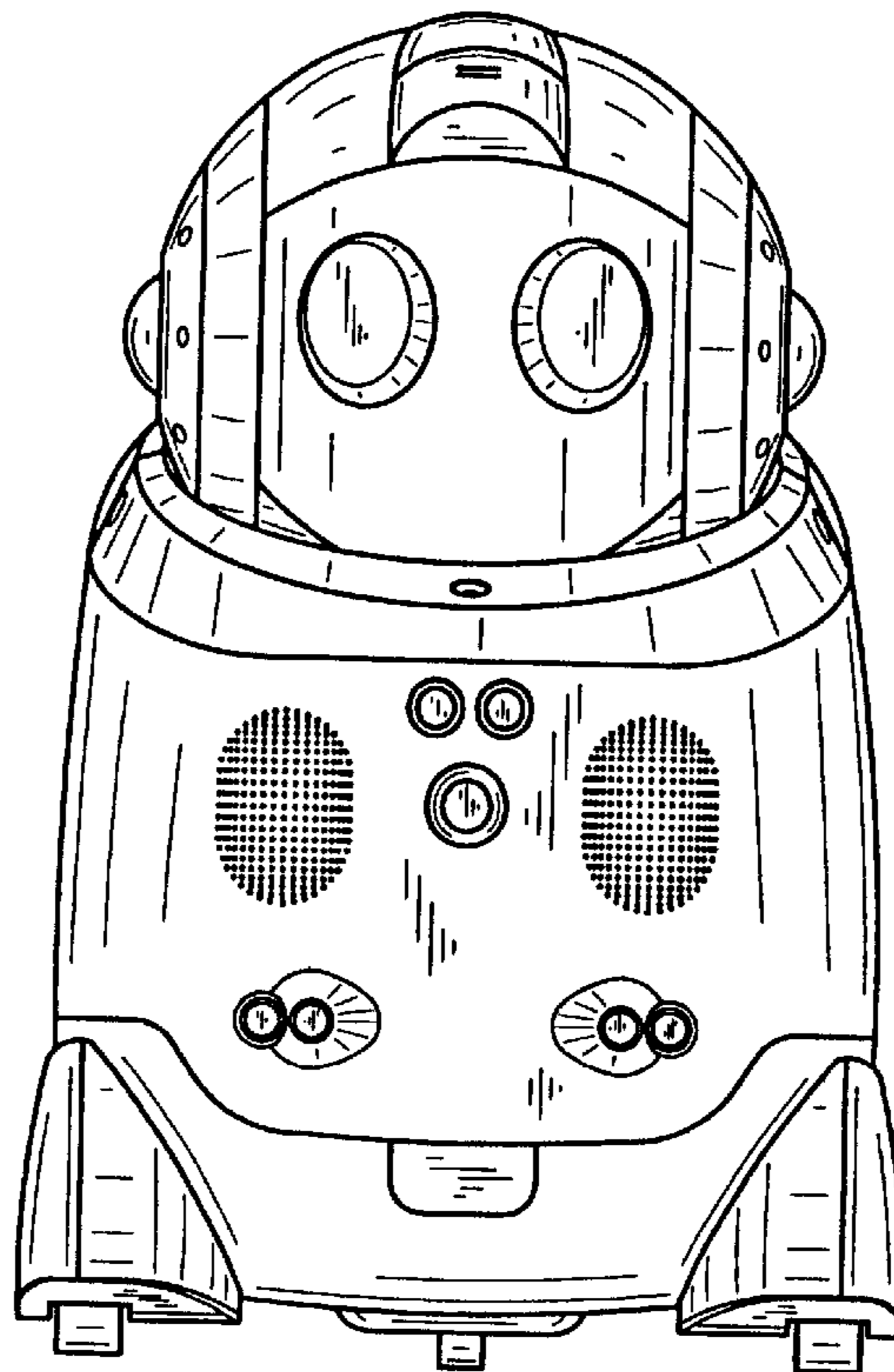


FIG. 3

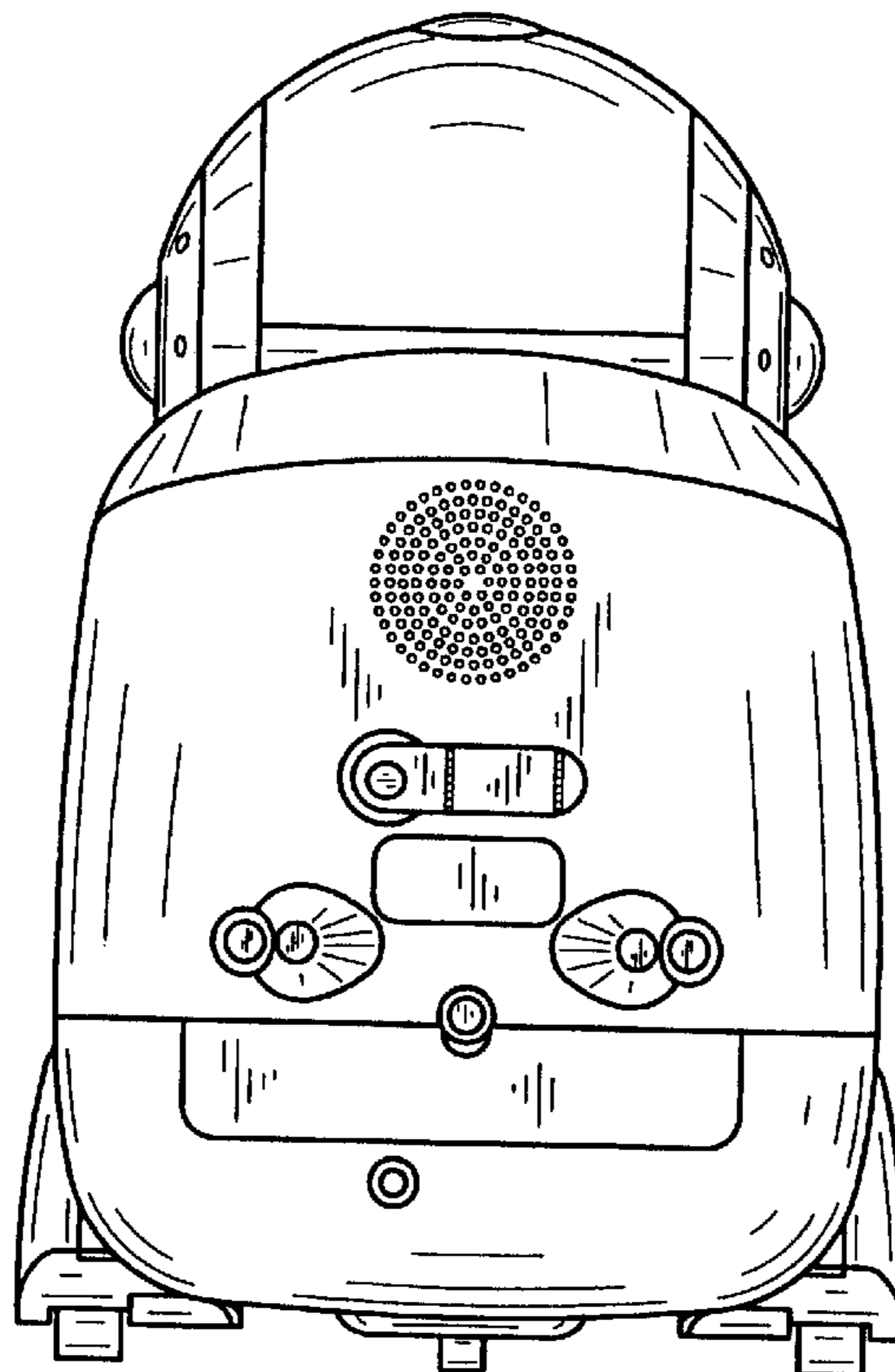




FIG. 4

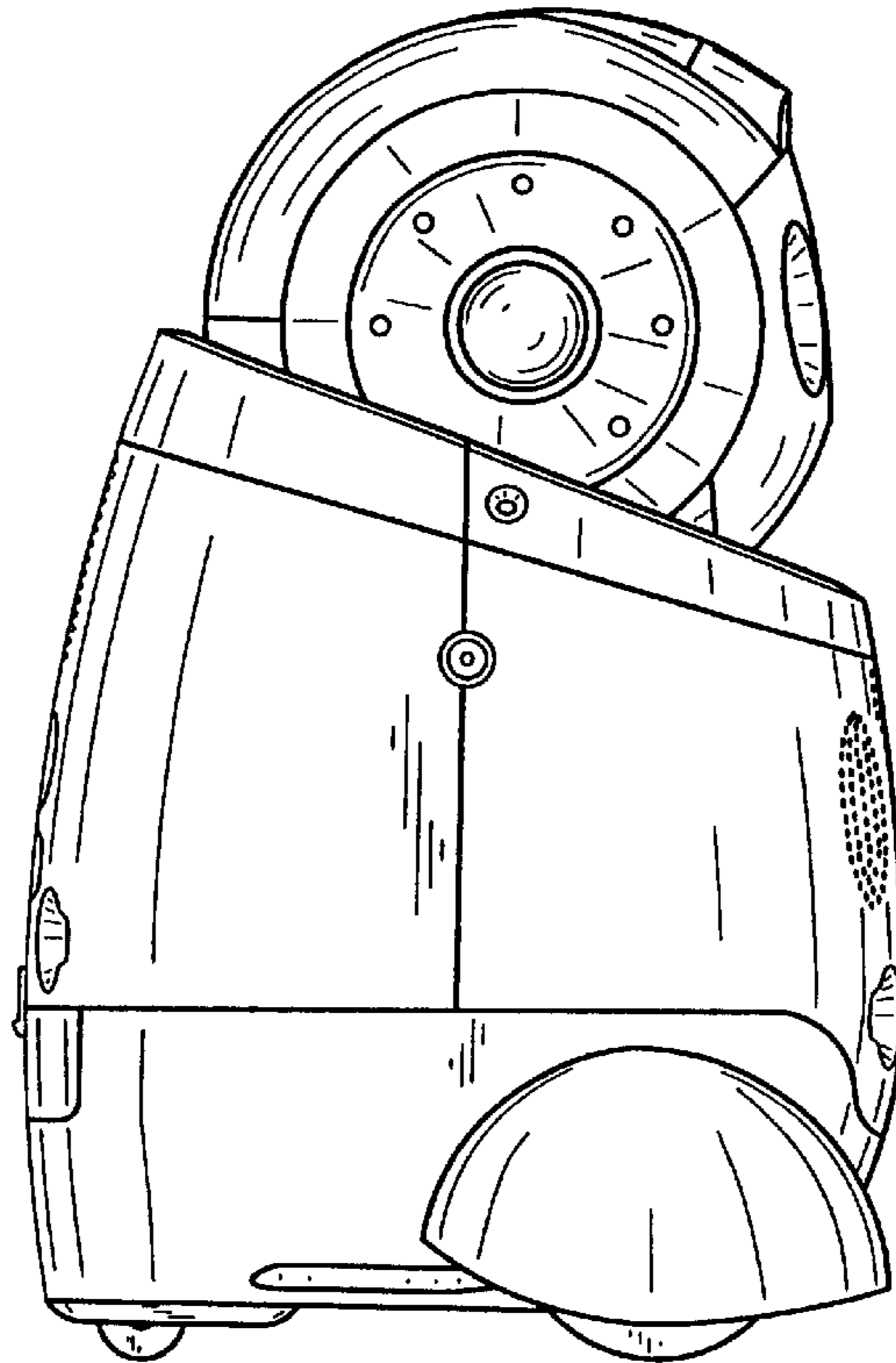


FIG. 5

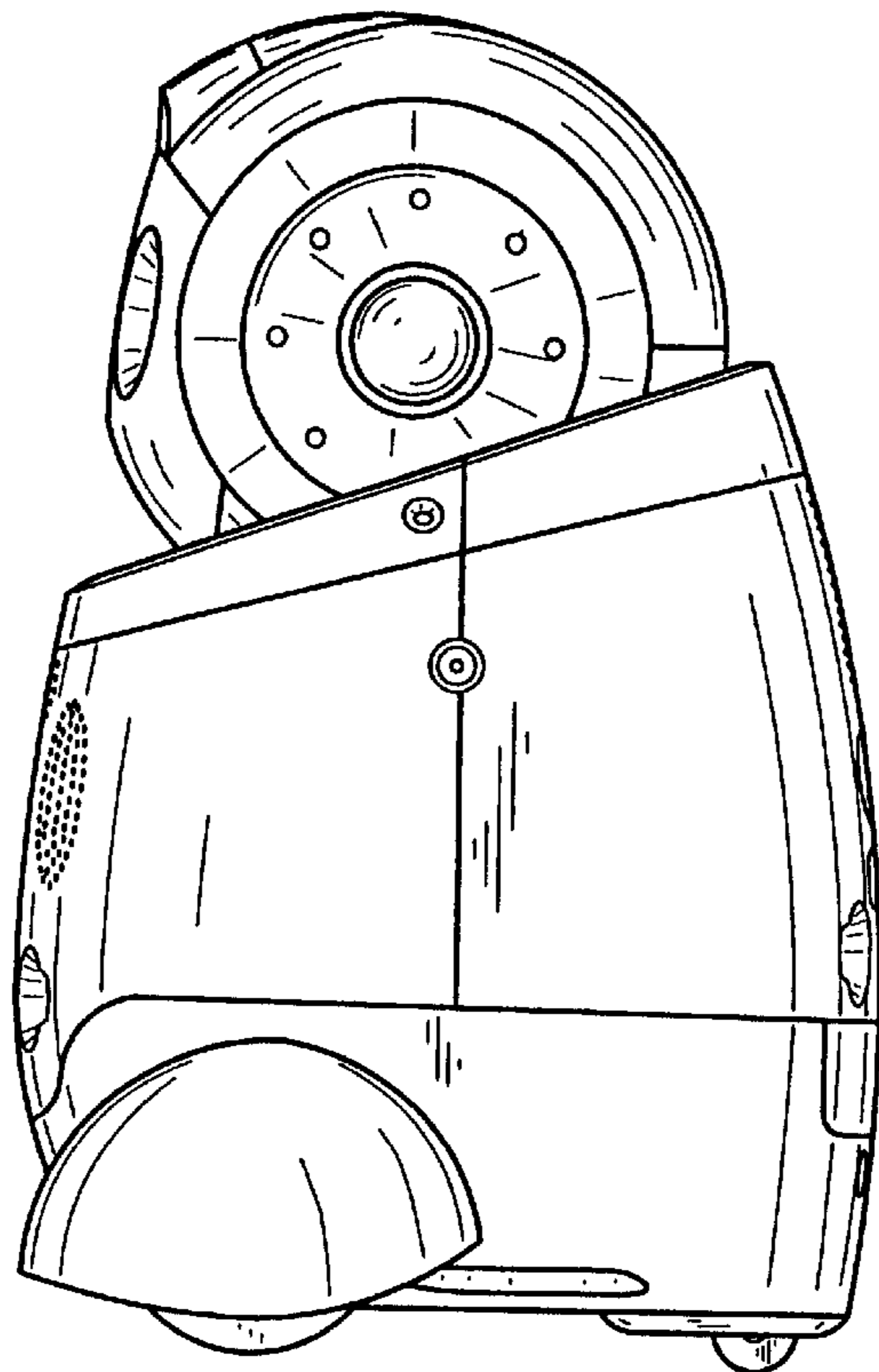


FIG. 6

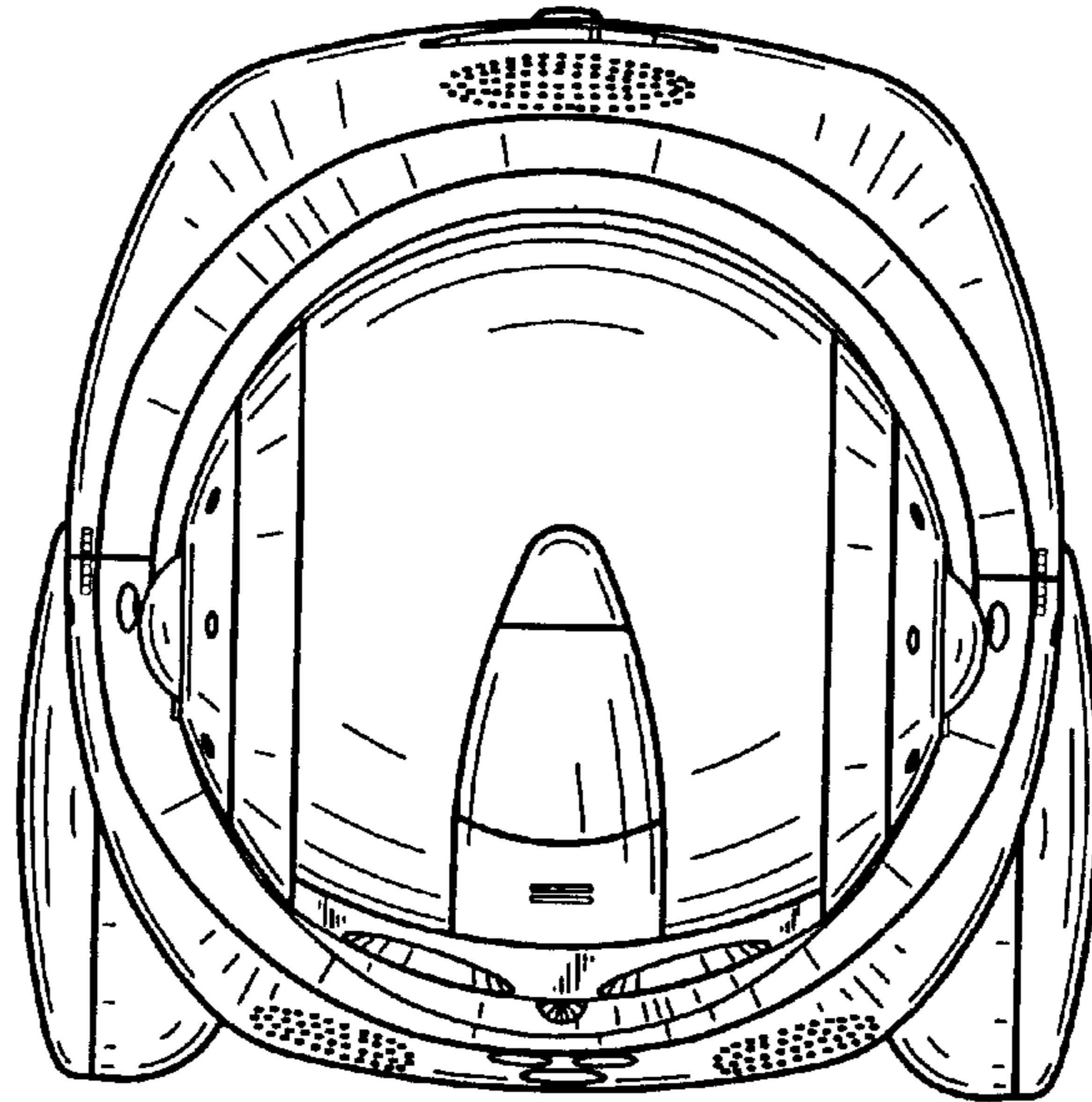
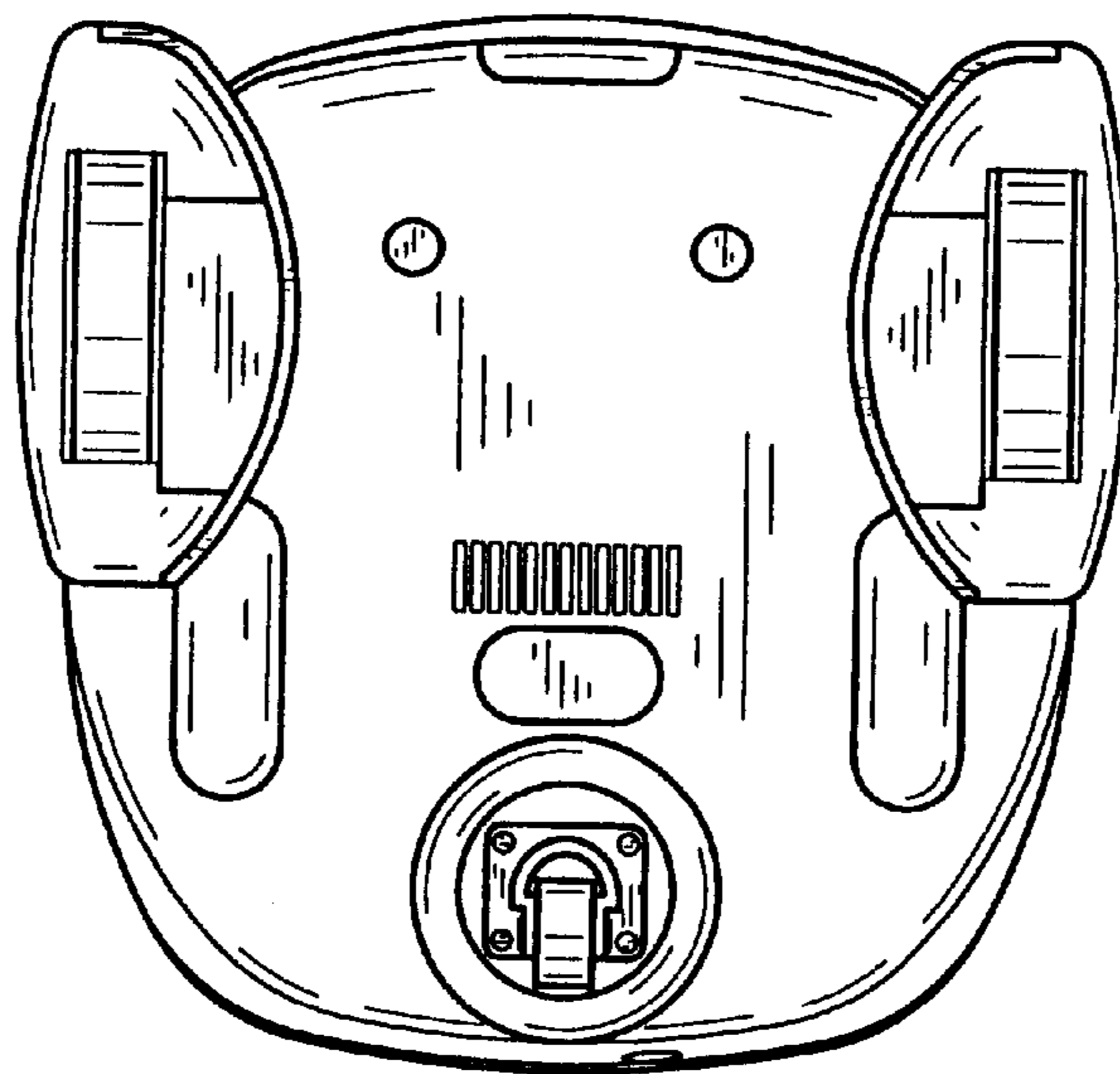


FIG. 7



UNITED STATES PATENT AND TRADEMARK OFFICE  
**CERTIFICATE OF CORRECTION**

PATENT NO. : Des 450,788 S  
DATED : November 20, 2001  
INVENTOR(S) : Keigo Kawasaki

Page 1 of 1

It is certified that error appears in the above-identified patent and that said Letters Patent is hereby corrected as shown below:

Title page,

Please delete "**Foreign Priority Application** No. 12-033352" insert -- **Foreign Priority Application** No. 2000-033352 --

Signed and Sealed this

Nineteenth Day of March, 2002

*Attest:*



*Attesting Officer*

JAMES E. ROGAN  
*Director of the United States Patent and Trademark Office*