



US00D450784B1

(12) **United States Design Patent**
Yamazaki

(10) **Patent No.:** **US D450,784 S**

(45) **Date of Patent:** **** Nov. 20, 2001**

(54) **TOY CAR**

(75) **Inventor:** **Tomohiro Yamazaki, Katsushika-ku (JP)**

(73) **Assignee:** **Tomy Company, Ltd., Tokyo (JP)**

(**) **Term:** **14 Years**

(21) **Appl. No.:** **29/142,024**

(22) **Filed:** **May 18, 2001**

(30) **Foreign Application Priority Data**

Nov. 20, 2000 (JP) 12-033137

(51) **LOC (7) Cl.** **21-01**

(52) **U.S. Cl.** **D21/548; D21/551**

(58) **Field of Search** D21/419, 424-435, D21/533, 548-551, 561, 562; D12/87, 91; 446/37, 163, 456, 462, 465, 470, 446; 280/828, 87.01, 87.021

(56) **References Cited**

U.S. PATENT DOCUMENTS

D. 168,732 * 2/1953 Christopher D21/548

D. 384,377 * 9/1997 Lun D21/551

D. 402,712 * 12/1998 Lun D21/533

D. 410,260 * 5/1999 Lun D21/548

* cited by examiner

Primary Examiner—Raphael Barkai

(74) *Attorney, Agent, or Firm*—Oliff & Berridge, PLC

(57) **CLAIM**

The ornamental design for toy car, as shown and described.

DESCRIPTION

FIG. 1 is a front perspective view of a toy car;

FIG. 2 is a front view thereof;

FIG. 3 is a rear view thereof;

FIG. 4 is a top view thereof;

FIG. 5 is a bottom view thereof;

FIG. 6 is a left-side view thereof; and,

FIG. 7 is a right-side view thereof.

1 Claim, 4 Drawing Sheets

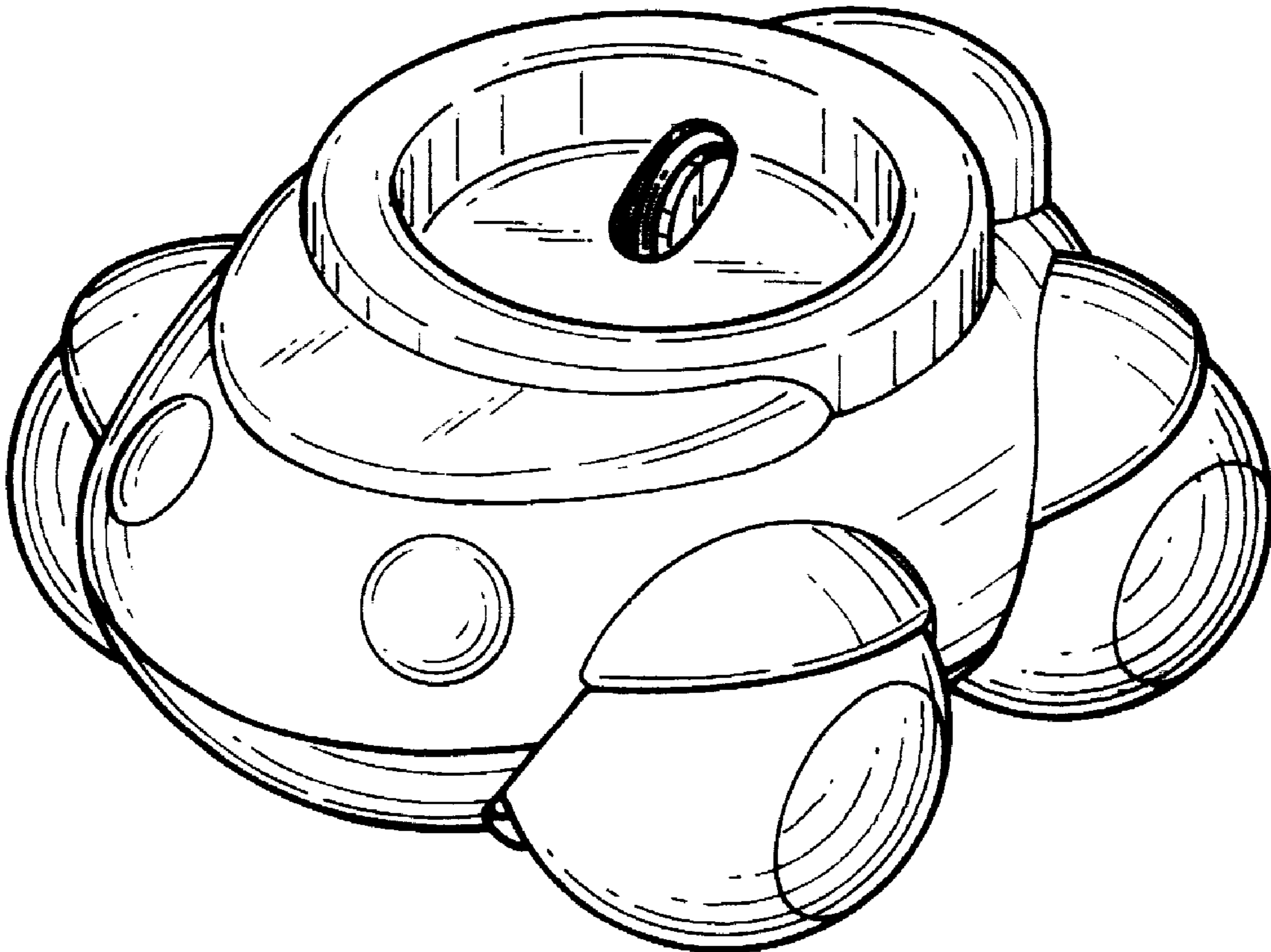


FIG. 1

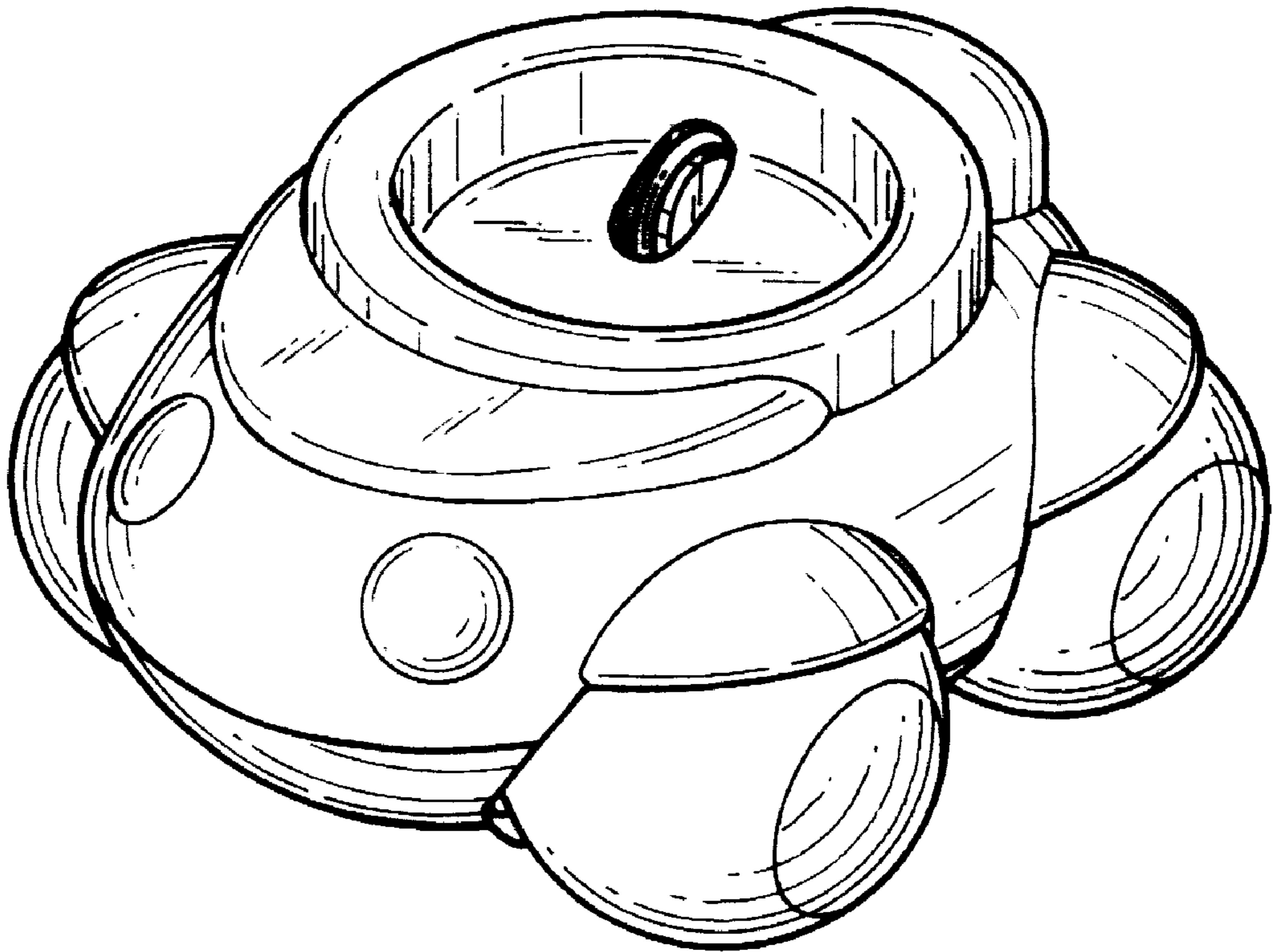


FIG. 2

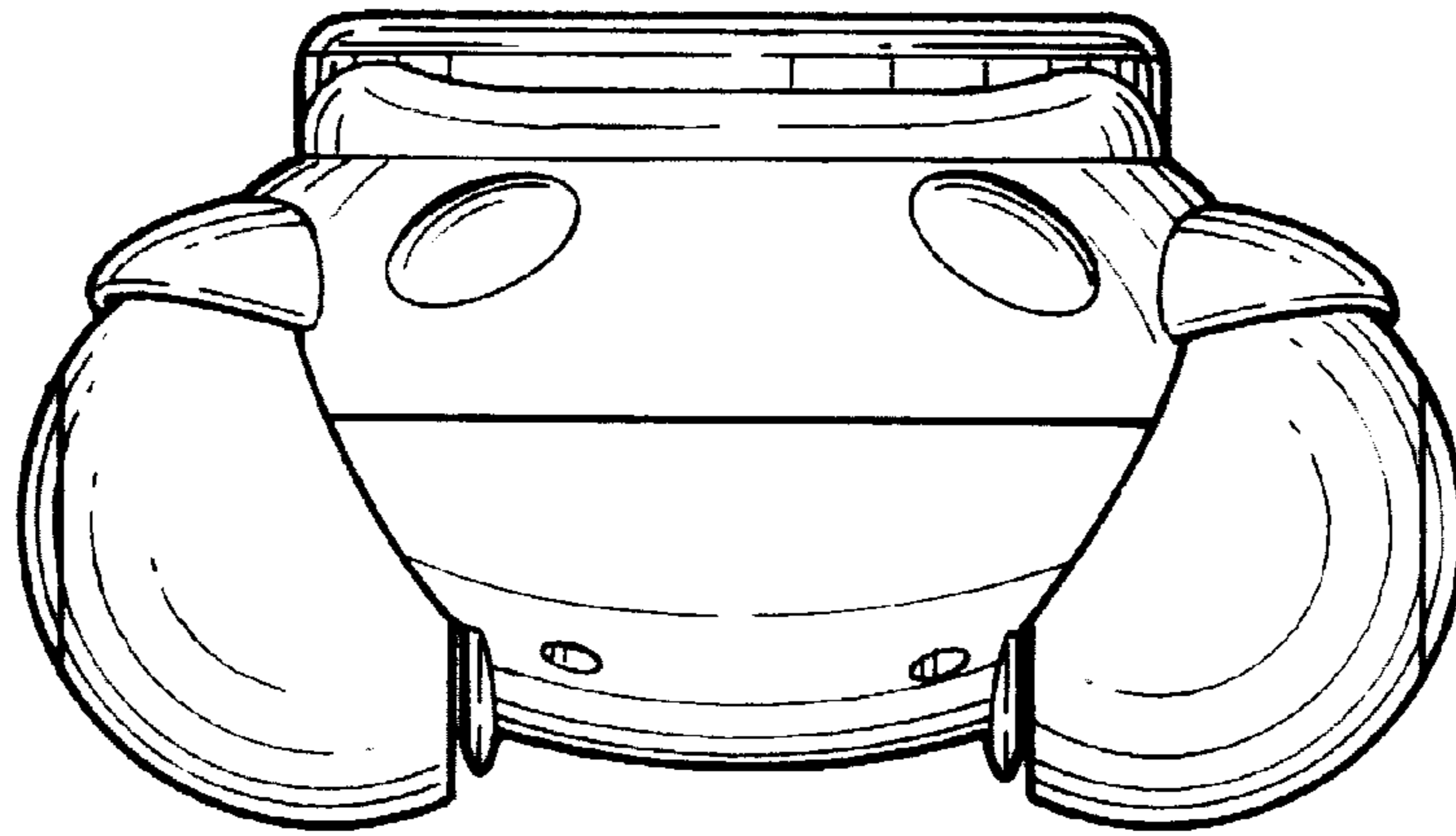


FIG. 3

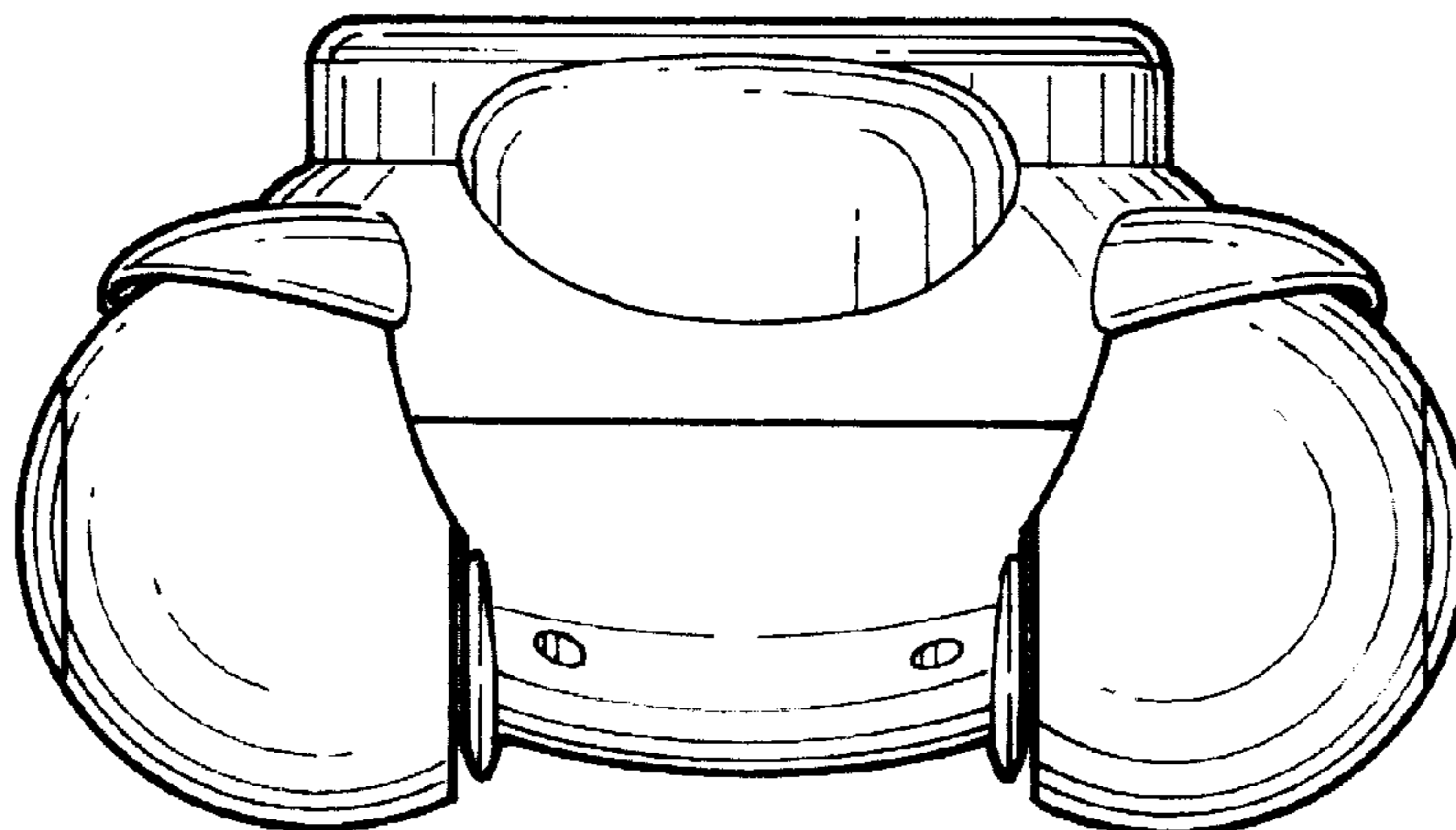


FIG. 4

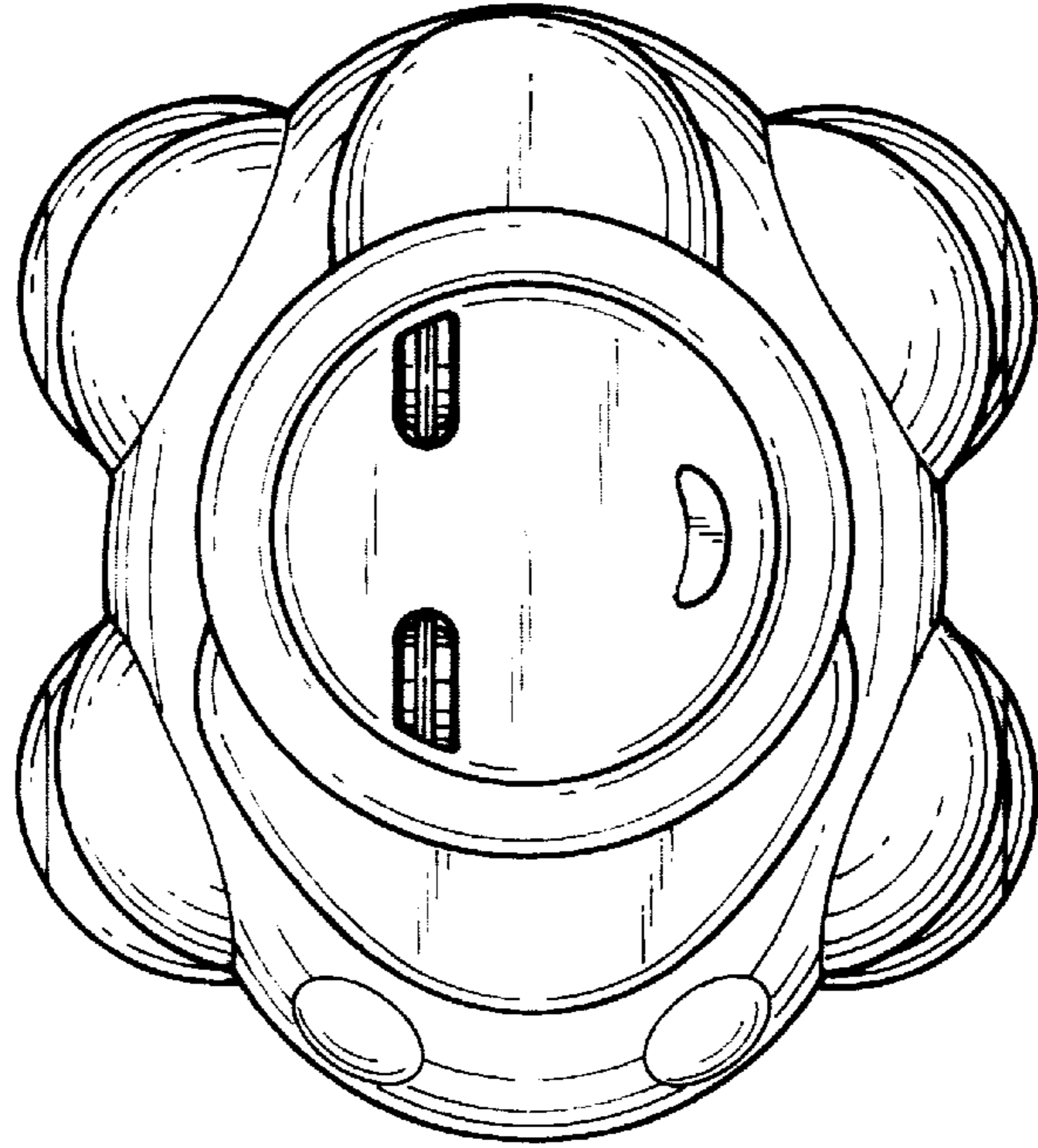


FIG. 5

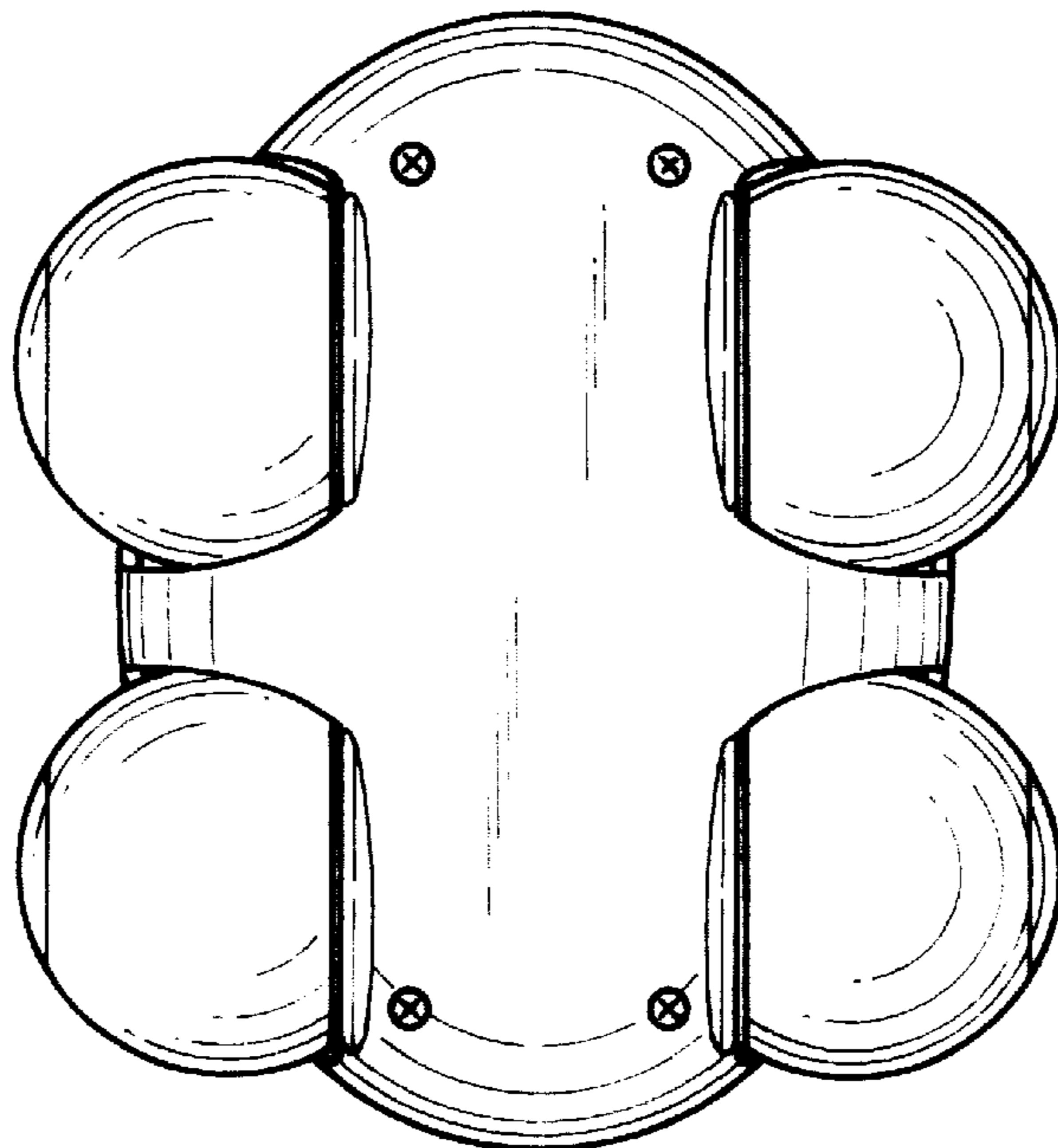


FIG. 6

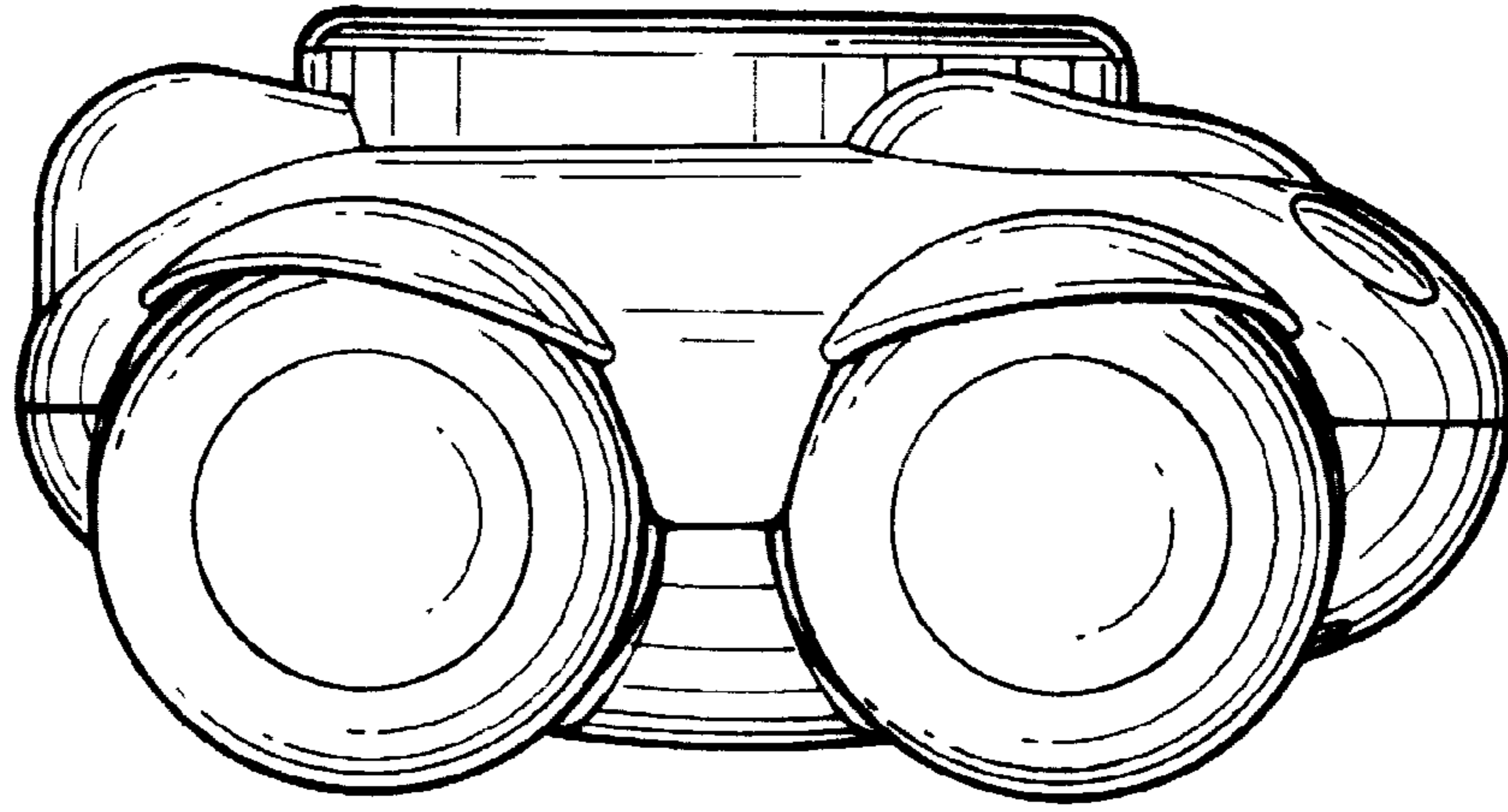


FIG. 7

