



US00D450781B1

(12) **United States Design Patent**  
**Nixon**

(10) **Patent No.:** **US D450,781 S**

(45) **Date of Patent:** **\*\* Nov. 20, 2001**

(54) **AQUATIC TOY**

4,396,188 8/1983 Dreissigacker et al. .  
5,195,936 3/1993 Mao .

(76) **Inventor:** **Ross Nixon**, 334 Joe McCarthy Dr.,  
Amherst, NY (US) 14228

\* cited by examiner

(\*\*) **Term:** **14 Years**

*Primary Examiner*—Dominic Simone  
(74) *Attorney, Agent, or Firm*—Fay, Sharpe, Fagan,  
Minnich & McKee, LLP

(21) **Appl. No.:** **29/135,340**

(22) **Filed:** **Jan. 10, 2001**

(57) **CLAIM**

(51) **LOC (7) Cl.** ..... **21-01**

The ornamental design for an aquatic toy, as shown and described.

(52) **U.S. Cl.** ..... **D21/398**

(58) **Field of Search** ..... D21/398, 473,  
D21/662, 678, 801

**DESCRIPTION**

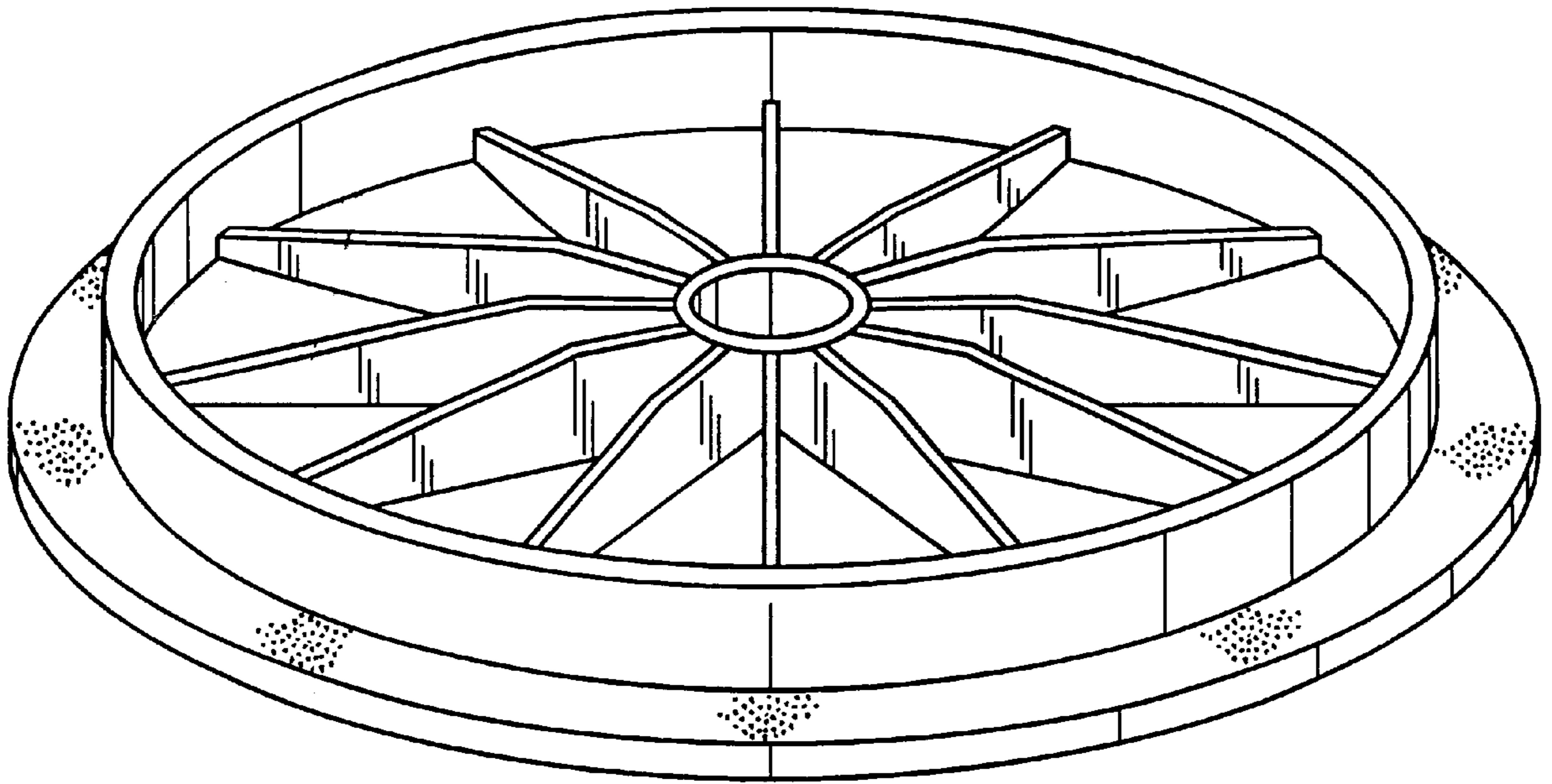
(56) **References Cited**

**U.S. PATENT DOCUMENTS**

- D. 248,786 \* 8/1978 Nakao ..... D21/473
- 3,309,084 3/1967 Simmons .
- 3,671,988 6/1972 Newman .
- 4,241,688 12/1980 Mansolill et al. .

FIG. 1 is a perspective view of an aquatic toy;  
FIG. 2 is a top plan view thereof, showing my new design;  
FIG. 3 is a side elevational view thereof, with all sides  
appearing the same; and,  
FIG. 4 is a bottom plan view thereof.

**1 Claim, 2 Drawing Sheets**



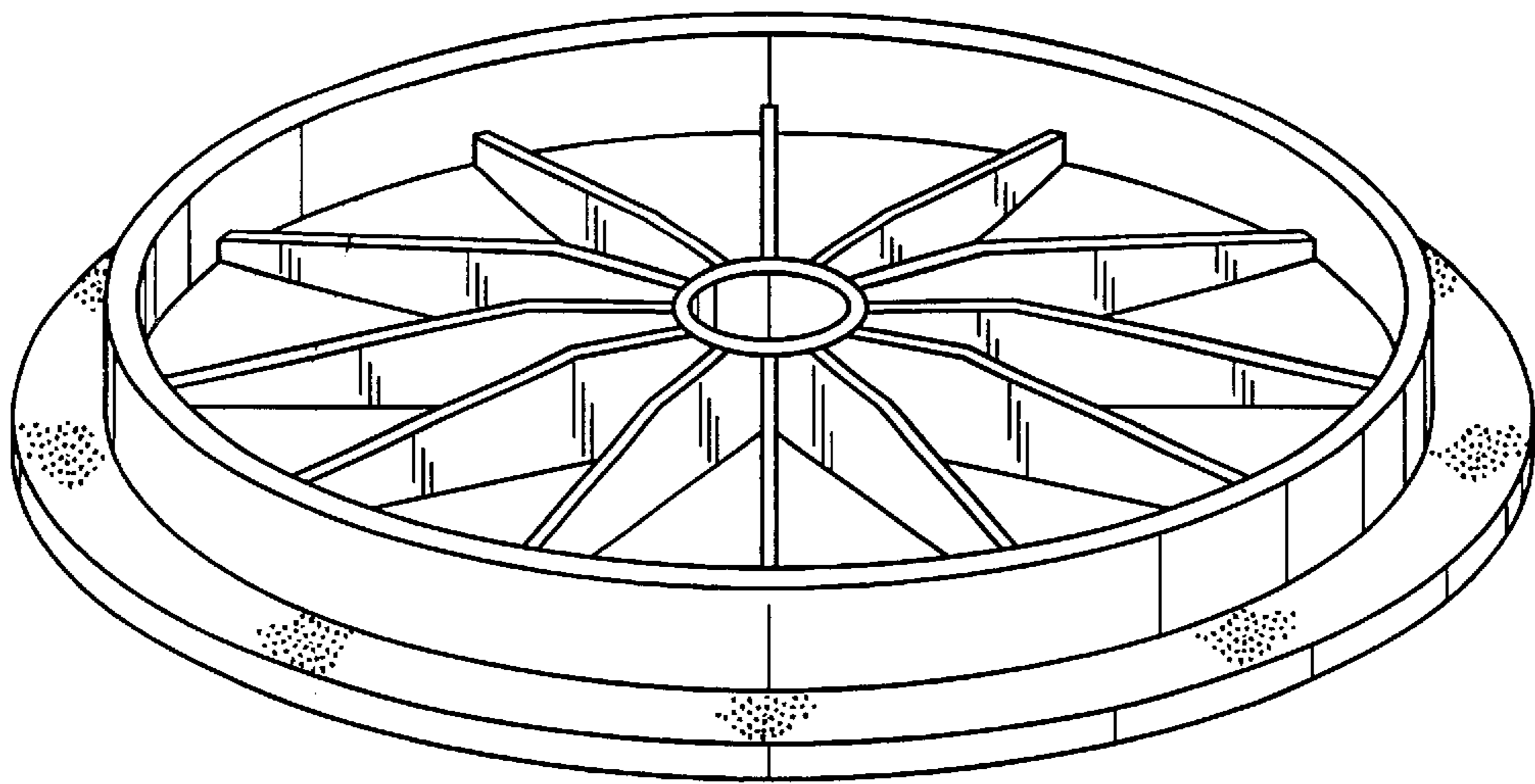


FIG. 1

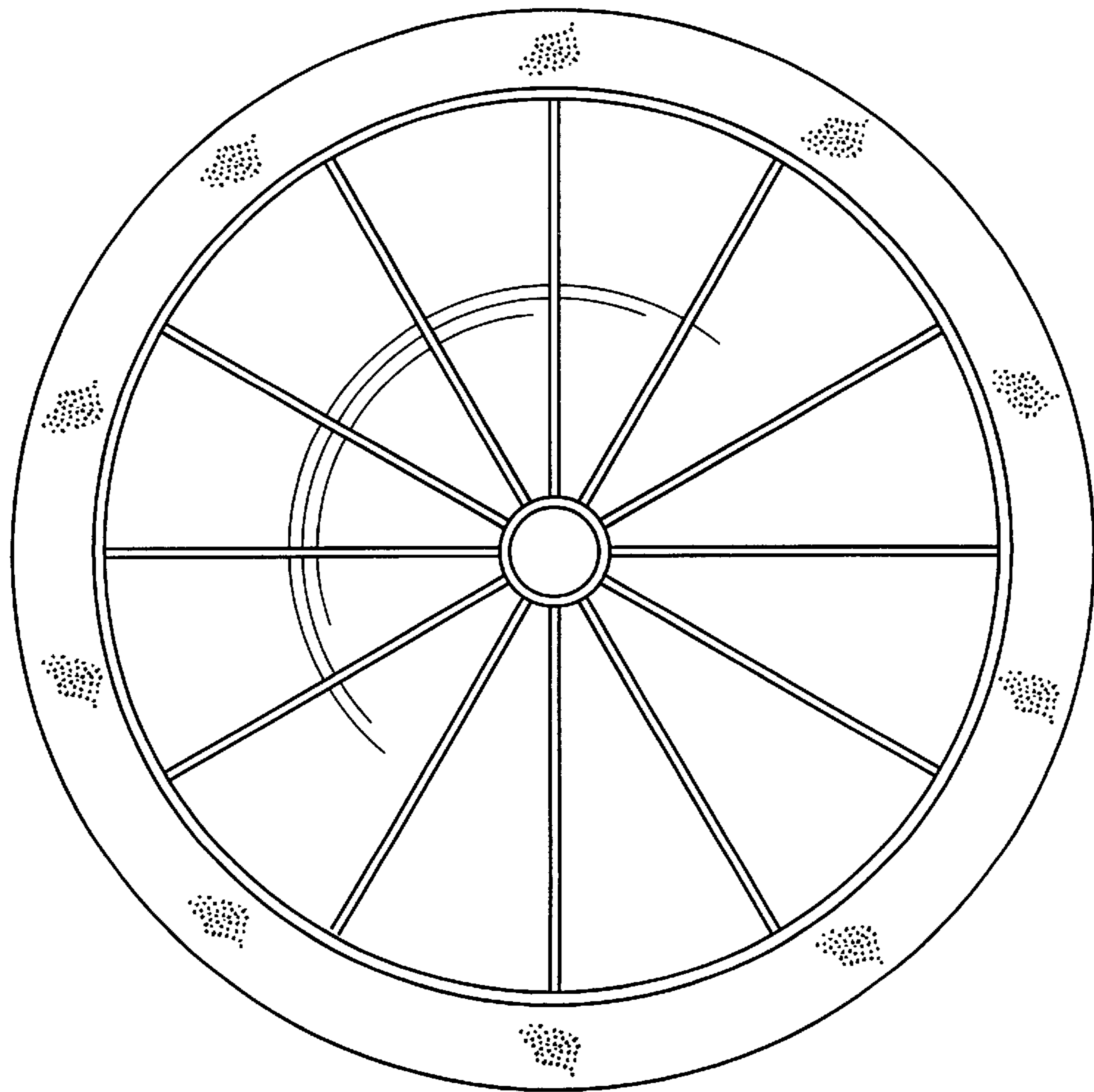


FIG. 2

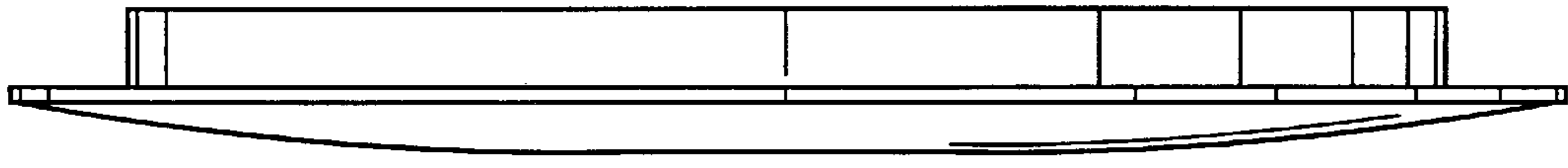


FIG. 3

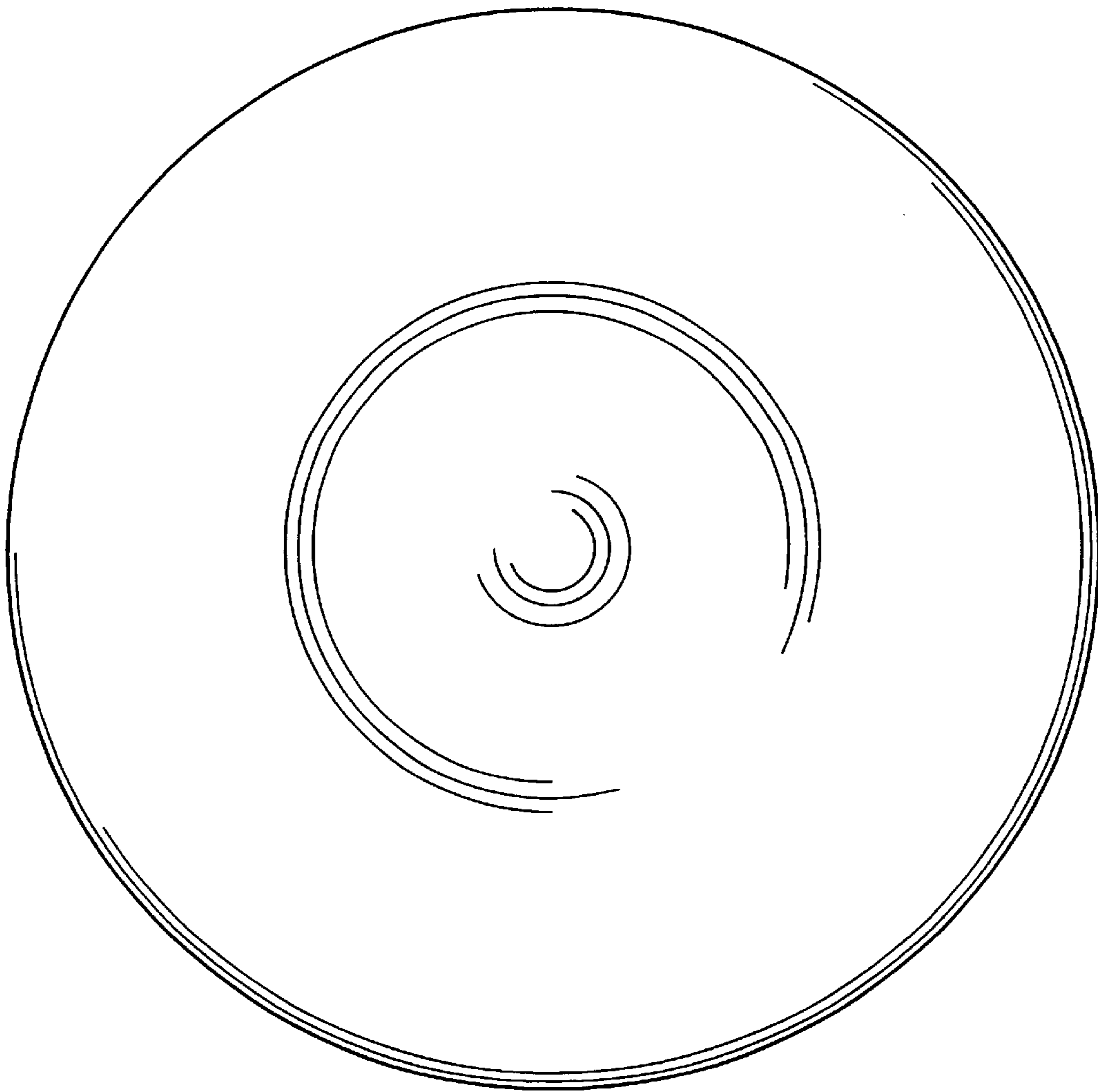


FIG. 4