



US00D450780B1

(12) **United States Design Patent** (10) **Patent No.:** **US D450,780 S**
Holtz et al. (45) **Date of Patent:** **** Nov. 20, 2001**

(54) **BASE FOR TOP UNIT OF A GAMING DEVICE**

(75) Inventors: **Christopher L. Holtz; Jean P. Legras; Joseph R. Hedrick**, all of Reno, NV (US)

(73) Assignee: **IGT**, Reno, NV (US)

(**) Term: **14 Years**

(21) Appl. No.: **29/130,982**

(22) Filed: **Oct. 12, 2000**

(51) **LOC (7) Cl.** **21-01**

(52) **U.S. Cl.** **D21/385; D21/369; D21/325; D21/333**

(58) **Field of Search** D21/369, 370, D21/371, 324-329, 333, 385, 386; 273/148 B, 148 R, 138.1, 138.2, 278, 288, 143 R, 141 A, 142 B, 139, 459-461, 269; 463/16-22, 13, 29-35

(56) **References Cited**

U.S. PATENT DOCUMENTS

D. 236,720	*	9/1975	Baker	D21/370
D. 274,536	*	7/1984	Rodesch	D21/325
D. 284,592		7/1986	Drews et al.	.	
D. 301,494	*	6/1989	Gutknecht	D21/385
D. 333,164	*	2/1993	Kraft et al.	D21/325
D. 383,802	*	9/1997	Levy	D21/385
D. 397,732	*	9/1998	Serowik et al.	D21/369
D. 400,597		11/1998	Hedrick et al.	.	
D. 403,363		12/1998	McGahn et al.	.	
D. 404,084		1/1999	Hedrick et al.	.	

(List continued on next page.)

FOREIGN PATENT DOCUMENTS

M9409371	*	3/1995	(DE)	.	
0426301	*	5/1991	(EP)	273/143 R
000443738	*	8/1991	(EP)	273/143 R
406304296 A	*	11/1994	(JP)	273/148 R

OTHER PUBLICATIONS

L.A. Slot Machine Co. Inc., Bally Gaming, Sigma Model B-9, Sep. 1997.*
L.A. Slot Machine Co. Inc., Bally Gaming, Royal Diamond and Jungle Treasure, Sep. 1997.*
Slot Machines published by Reno-Tahoe Specialty, Inc. in 1989.

(List continued on next page.)

Primary Examiner—Prabhakar Deshmukh

(74) *Attorney, Agent, or Firm*—Bell, Boyd & Lloyd LLC

(57) **CLAIM**

The ornamental design for a base for top unit of a gaming device, as shown and described.

DESCRIPTION

This application is related to the following commonly-owned co-pending design patent applications: "Display and Mask for a Gaming Device," Ser. No. 29/130,997, "Display and Mask for a Gaming Device," Ser. No. 29/131,001, "Display and Mask for a Gaming Device," Ser. No. 29/131,076, "Player Interface and Tray for a Gaming Device," Ser. No. 29/130,983, "Tray for A Gaming Device," Ser. No. 29/130,981, "Player Interface With Bolster for a Gaming Device," Ser. No. 29/130,980, "Plate for a Midsection of a Gaming Device," Ser. No. 29/130,992, "Top Unit and Base for a Gaming Device," Ser. No. 29/130,979, and "Gaming Device," Ser. No. 29/130,996.

FIG. 1 is a front perspective view of a base for top unit of a gaming device showing our new design, that portion of the gaming device shown in phantom is not part of the design sought to be patented and is provided for environmental purposes only;

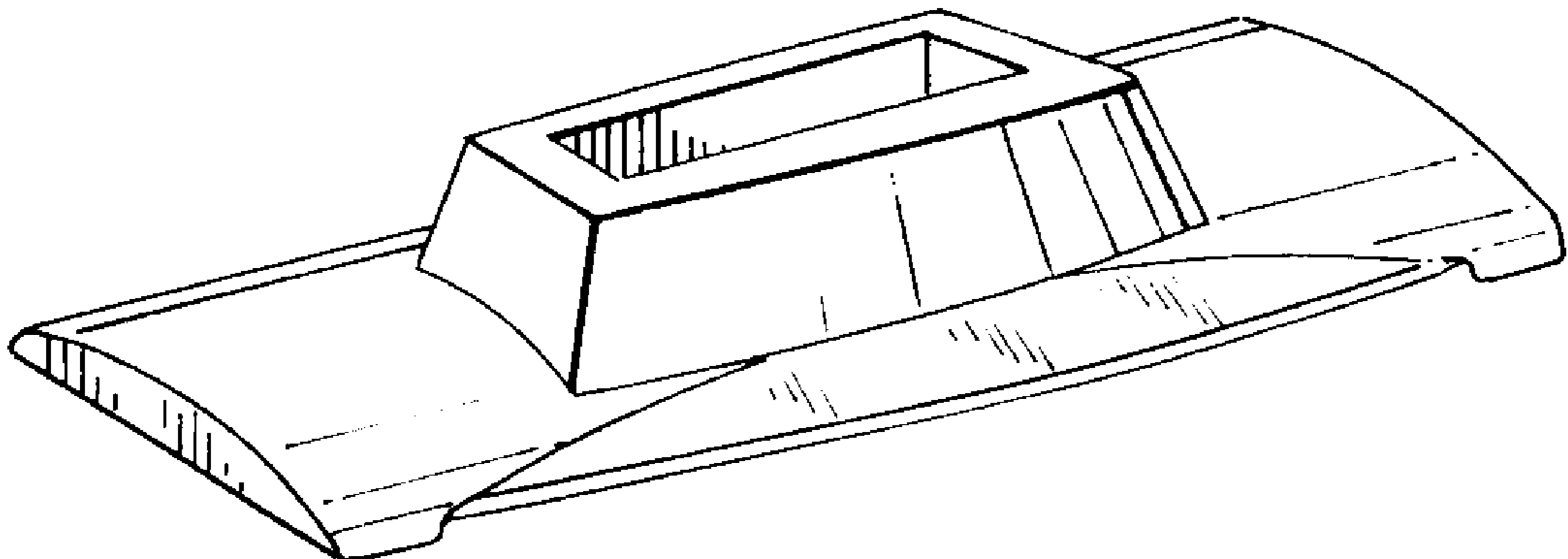
FIG. 2 is an enlarged perspective view of the top unit base of our design;

FIG. 3 is a right side elevation view of the top unit base, the left side being a mirror image thereof;

FIG. 4 is a top plan view of the top unit base;

FIG. 5 is a front elevational view of the top unit base; and, FIG. 6 is a back elevational view.

1 Claim, 1 Drawing Sheet



US D450,780 S

Page 2

U.S. PATENT DOCUMENTS

D. 404,436 1/1999 McGahn et al. .
D. 406,615 3/1999 Griswold et al. .
D. 412,347 7/1999 DeSimone et al. .
D. 416,054 11/1999 McGahn et al. .
D. 417,145 * 11/1999 McLaughlin D21/325
D. 421,277 2/2000 McGahn et al. .
D. 439,931 * 4/2001 Yamaguchi D21/369
3,259,389 * 7/1966 Blondell 463/17
4,695,053 9/1987 Vazquez, Jr. et al. .
4,991,848 2/1991 Greenwood et al. .
5,611,535 3/1997 Tiberio .
5,813,914 * 9/1998 McKay et al. 463/20
5,820,460 * 10/1998 Fulton D21/369
5,984,781 11/1999 Sunaga .
6,012,982 1/2000 Piechowiak et al. .
6,047,966 * 4/2000 Hishinuma et al. 273/148 R

6,056,642 5/2000 Bennett .
6,102,394 * 8/2000 Wurz et al. 273/138.2
6,102,798 8/2000 Bennett .
6,161,805 12/2000 Wells .
6,168,522 1/2001 Walker et al. .

OTHER PUBLICATIONS

Elvis Brochure published by IGT in 1999.
Totem Pole Brochure published by IGT in 1997.
Slotopoly Brochure published by IGT in 1998.
Wheel of Fortune Brochure published by IGT in 1999.
Mega Jackpots Brochure published by IGT in 1998.
Top Dollar Brochure published by IGT in 1998.
Keno Machine Picture published by IGT date unknown.
Morph Game Pictures published by IGT on Sep. 12, 1999.

* cited by examiner

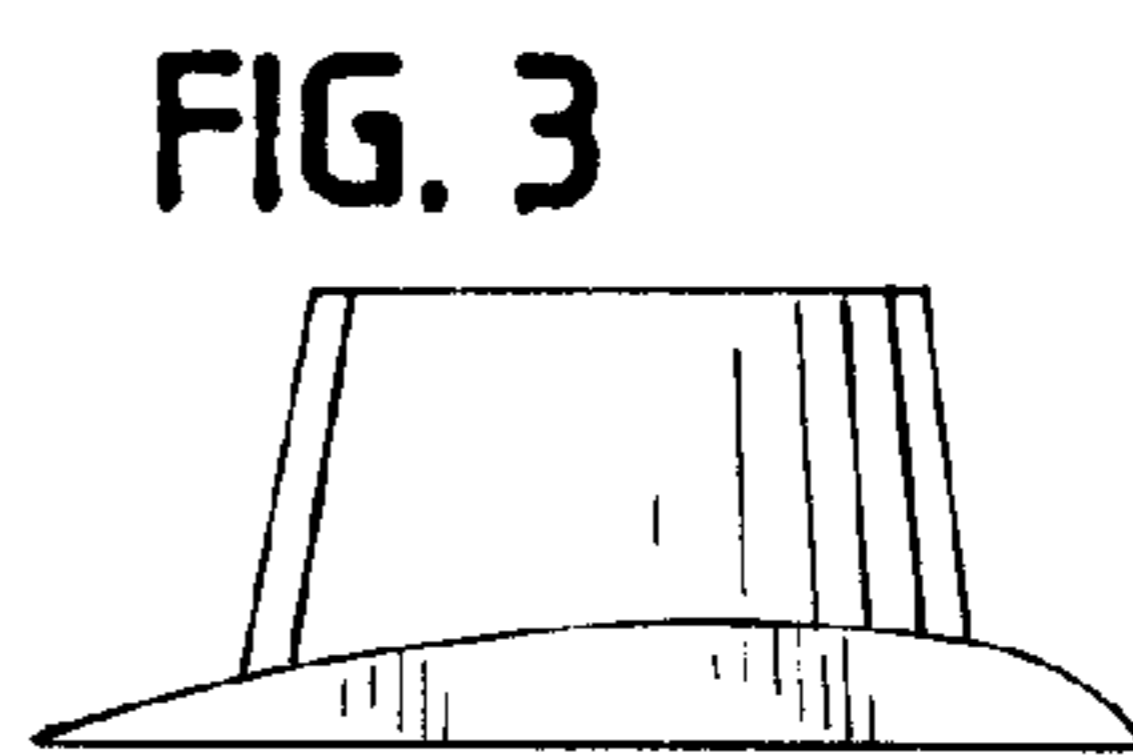
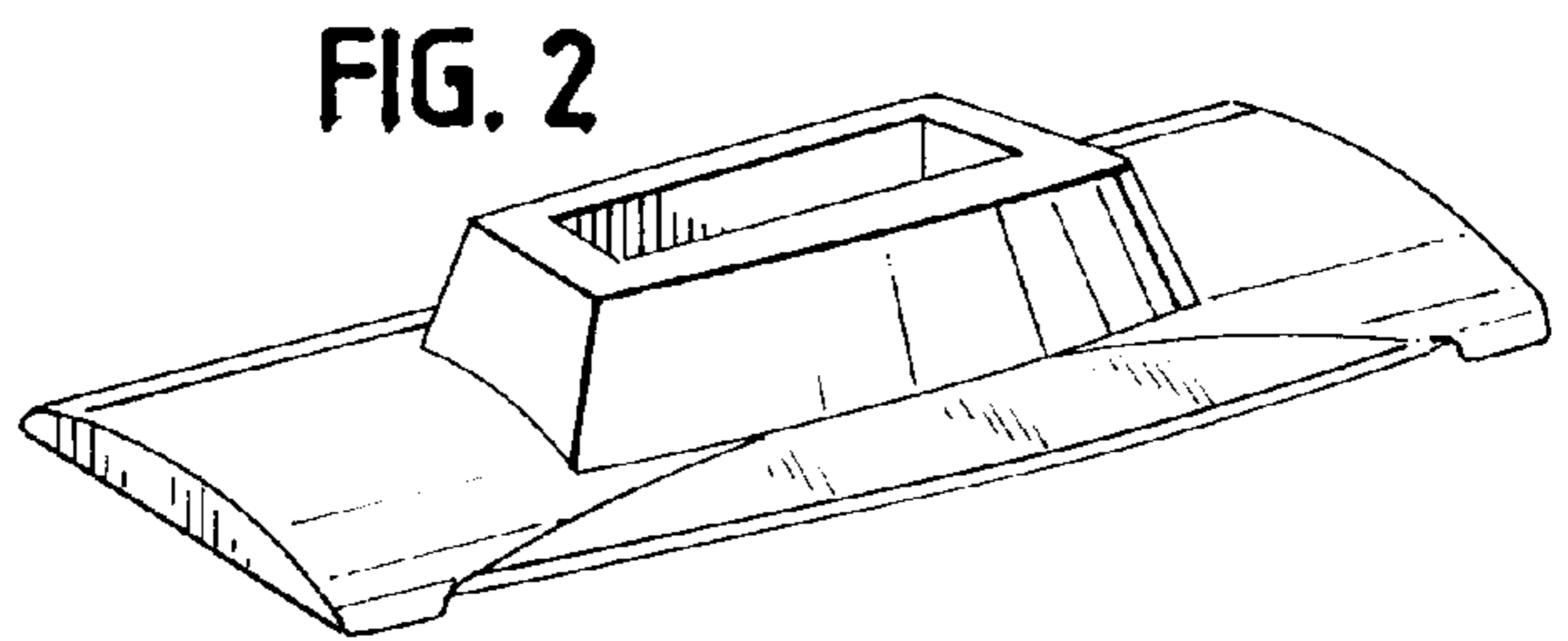
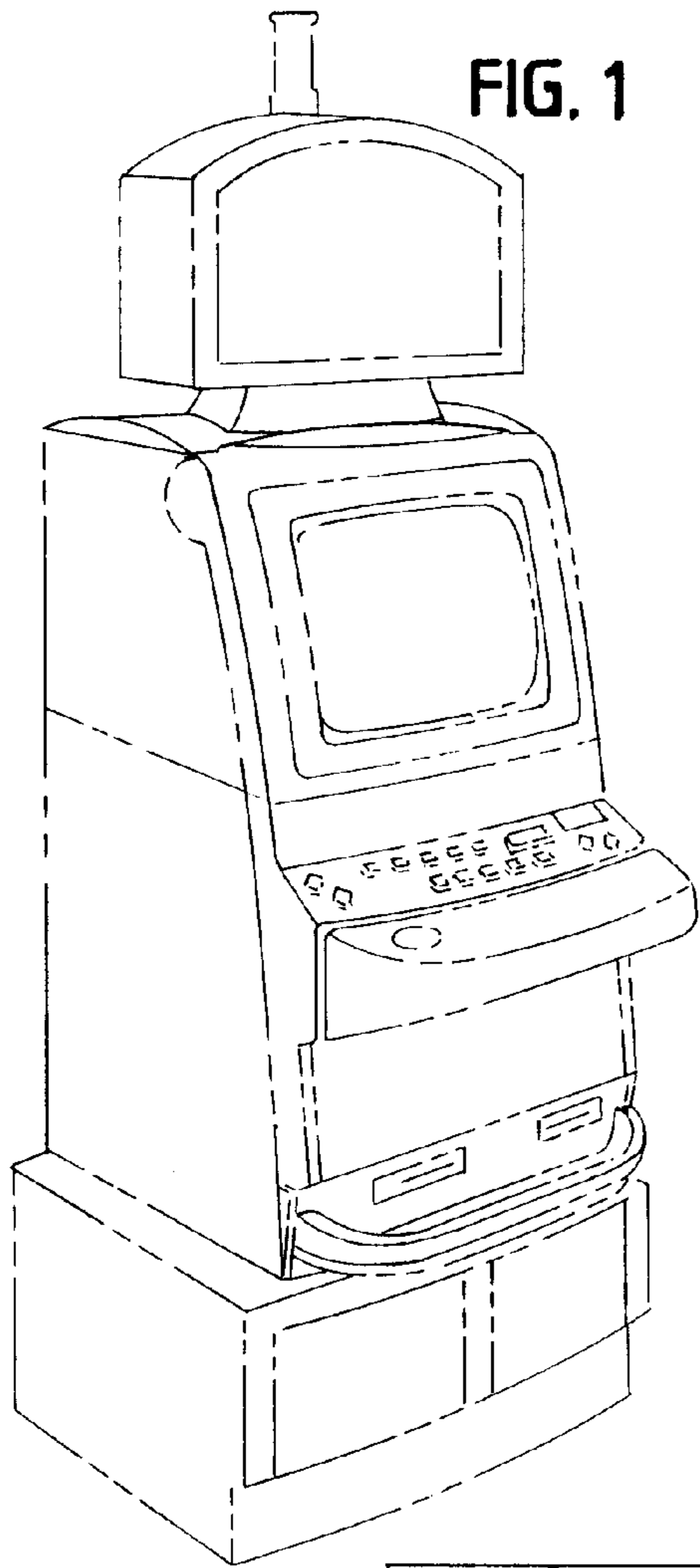


FIG. 4

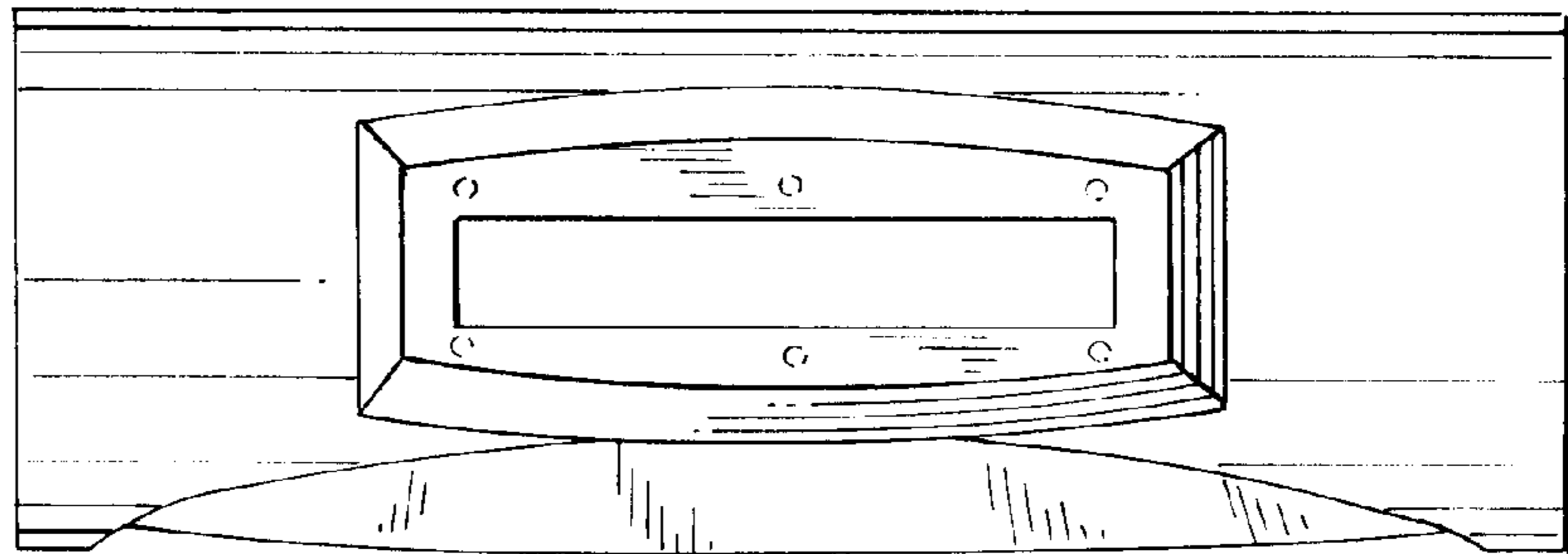


FIG. 5

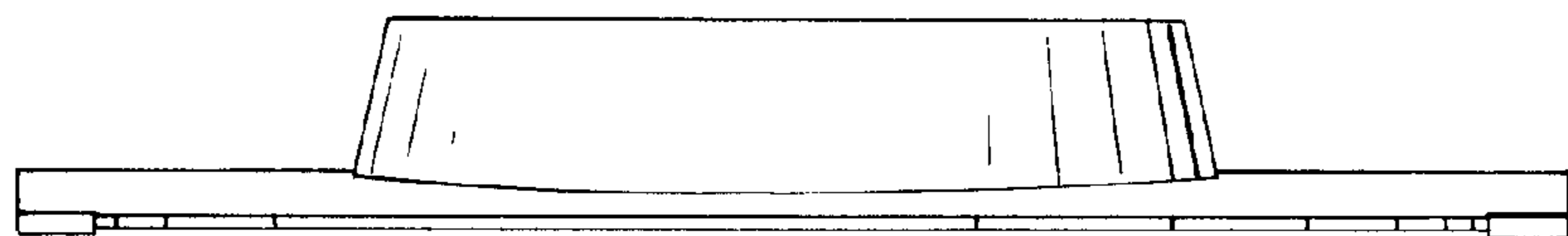


FIG. 6

