



US00D450775B1

(12) **United States Design Patent**
Albrecht

(10) **Patent No.:** **US D450,775 S**

(45) **Date of Patent:** **** Nov. 20, 2001**

(54) **PORTABLE ROUNDED TOP SIGN**

(76) Inventor: **Laurence Albrecht**, 5535 Gross Ct.,
Orlando, FL (US) 32810

(**) Term: **14 Years**

(21) Appl. No.: **29/141,156**

(22) Filed: **May 1, 2001**

(51) **LOC (7) Cl.** **19-08**

(52) **U.S. Cl.** **D20/10**

(58) **Field of Search** D20/10, 39, 40,
D20/41, 42, 99; 40/584, 600-612, 617,
624

(56) **References Cited**

U.S. PATENT DOCUMENTS

D. 244,725	6/1977	Niehaus et al. .
D. 245,289	8/1977	Niehaus et al. .
D. 245,945	9/1977	Mihojevich .
D. 251,875	5/1979	Silbernagel .
D. 275,579	9/1984	Brown et al. .
D. 276,824	12/1984	Wilde .
D. 285,456	9/1986	Wiens .
D. 286,304	10/1986	Wiens .
D. 288,101	2/1987	Rohrer, III .
D. 290,377	6/1987	Wood et al. .
D. 290,974	7/1987	Butcher .
D. 291,706	9/1987	Georges et al. .
D. 301,721	6/1989	Myshyniuk .
D. 303,402	9/1989	Brown .
D. 307,604	5/1990	Banniza et al. .
D. 308,543	6/1990	Hunter .
D. 310,389	9/1990	Trewarn .
D. 312,097	11/1990	Robinson .
D. 316,569	4/1991	Leggate et al. .
D. 318,693	7/1991	Bezek .
D. 319,667	9/1991	Gray .
D. 327,708	7/1992	Schoelpple et al. .
D. 334,217	3/1993	Minehart .
D. 341,163	11/1993	Cohen .
D. 341,380	11/1993	Morgan, Jr. et al. .
D. 342,285	12/1993	Boyar .
D. 342,286	12/1993	Orsos .
D. 342,549	12/1993	Hofman .

D. 347,244	5/1994	Whitmire .
D. 347,859	6/1994	Glynn .
D. 350,368	9/1994	Steinwachs et al. .
D. 350,369	9/1994	Shafley .
D. 351,863	10/1994	Sarkisian et al. .
D. 353,405	12/1994	Cutler .
D. 355,222	2/1995	Marshall et al. .
D. 356,341	3/1995	Glynn .
D. 357,942	5/1995	Louis-Seize .
D. 359,311	6/1995	Stangarone .
D. 361,794	8/1995	Oakley .
D. 362,465	9/1995	Gallemore, II .
D. 367,078	2/1996	Oakley .
D. 369,624	5/1996	Richardson .
D. 371,807	7/1996	Mandell et al. .
D. 378,143	2/1997	Kollins .
D. 379,199	5/1997	Sandy .
D. 379,376	5/1997	Bernhardt et al. .
D. 379,377	5/1997	Rath .
D. 382,597	8/1997	Vetro .
D. 386,794	11/1997	Rath .
D. 389,524	1/1998	Grange .
D. 389,871	1/1998	Young .
D. 391,301	2/1998	Davis .
D. 392,328	3/1998	Johansson .
D. 392,686	3/1998	Sarkisian et al. .
D. 394,881	6/1998	Patel .

(List continued on next page.)

Primary Examiner—Marcus A. Jackson
(74) *Attorney, Agent, or Firm*—Robert R. Waters; Waters
Law Office PLLC

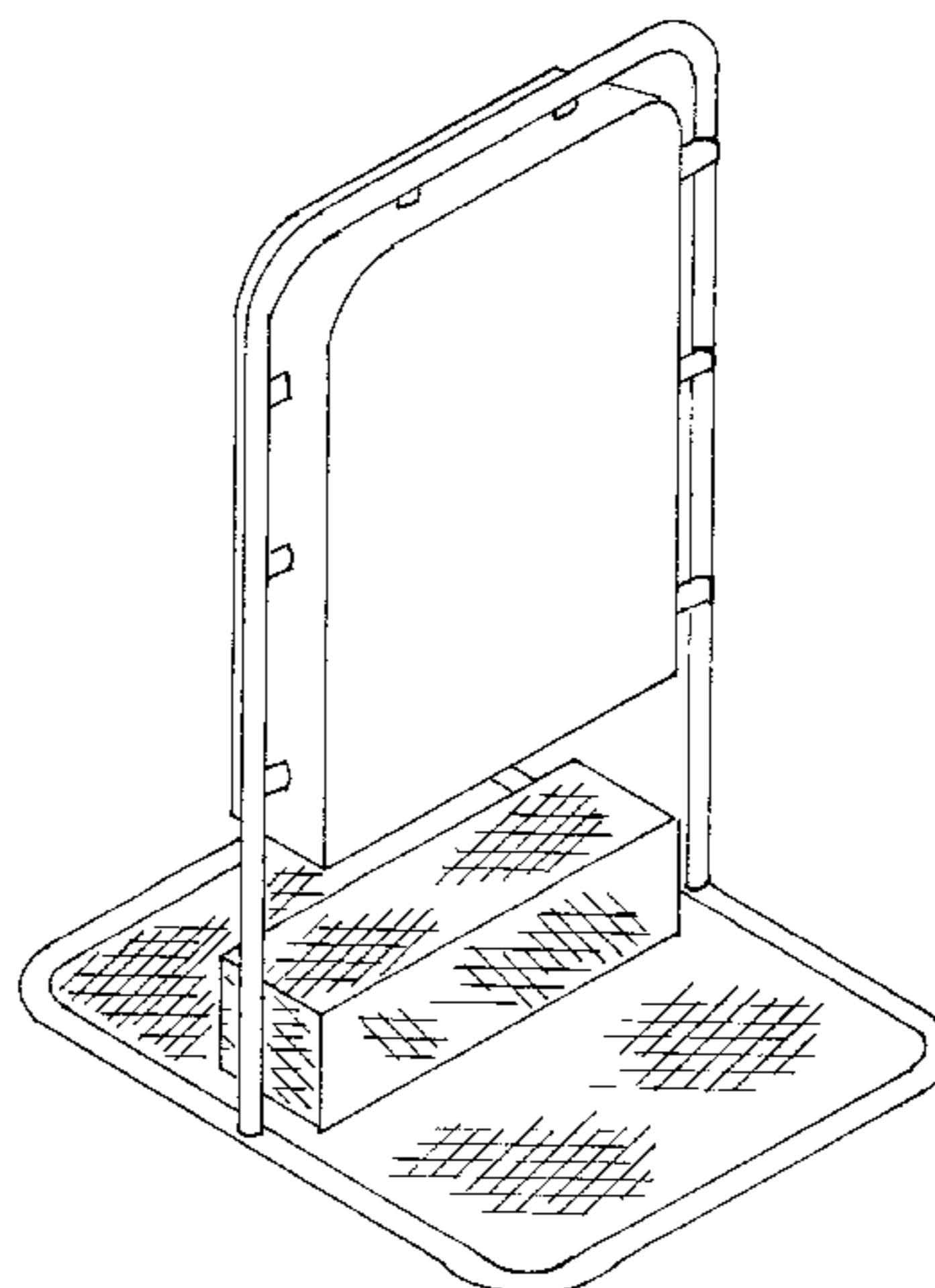
(57) **CLAIM**

The ornamental design for a portable rounded top sign, as shown and described.

DESCRIPTION

FIG. 1 is a front view of the sign;
FIG. 2 is a side view of the sign, as shown from the Left side;
FIG. 3 is a back view of the sign;
FIG. 4 is a side view of the sign, as shown from the Right side; and,
FIG. 5 is a perspective view of the sign.

1 Claim, 3 Drawing Sheets



US D450,775 S

Page 2

U.S. PATENT DOCUMENTS

D. 395,334	6/1998	Eberle et al. .		D. 422,316	4/2000	Herbst .	
D. 396,065	* 7/1998	Johnson et al.	D20/10	D. 425,938	* 5/2000	Skog	D20/10
D. 396,251	7/1998	Mortensen .		D. 429,767	8/2000	Morrison .	
D. 398,653	* 9/1998	Hiraguchi et al.	D20/10	D. 431,265	9/2000	Herbst .	
D. 400,361	* 11/1998	Sobrito	D20/10	D. 433,453	11/2000	Fallon .	
D. 401,286	11/1998	McMillan et al. .		D. 434,451	11/2000	Grimshaw .	
D. 401,625	* 11/1998	Verbeek	D20/10	D. 435,270	12/2000	Healy .	
D. 402,701	12/1998	McMillan .		3,977,111	8/1976	Fritts .	
D. 405,377	2/1999	Davis .		4,267,657	5/1981	Kloke .	
D. 408,864	4/1999	Linko, Sr. .		4,327,513	5/1982	de Gunzburg .	
D. 410,036	5/1999	Washington .		4,488,090	12/1984	Hancock .	
D. 410,496	6/1999	Wyse .		4,693,026	9/1987	Callahan et al. .	
D. 410,697	6/1999	Smart .		4,719,725	1/1988	Weiner .	
D. 415,207	10/1999	Voight .		4,751,434	6/1988	Helling et al. .	
D. 417,468	12/1999	Van Genechten .		4,873,776	10/1989	Hoffart .	
D. 418,077	12/1999	Lucas .		4,989,126	1/1991	Preuss .	
D. 418,170	12/1999	Herbst .		5,214,870	6/1993	Cohen .	
D. 419,195	1/2000	Herbst .		5,933,990	8/1999	Keyser et al. .	
D. 420,053	2/2000	Voight .					

* cited by examiner

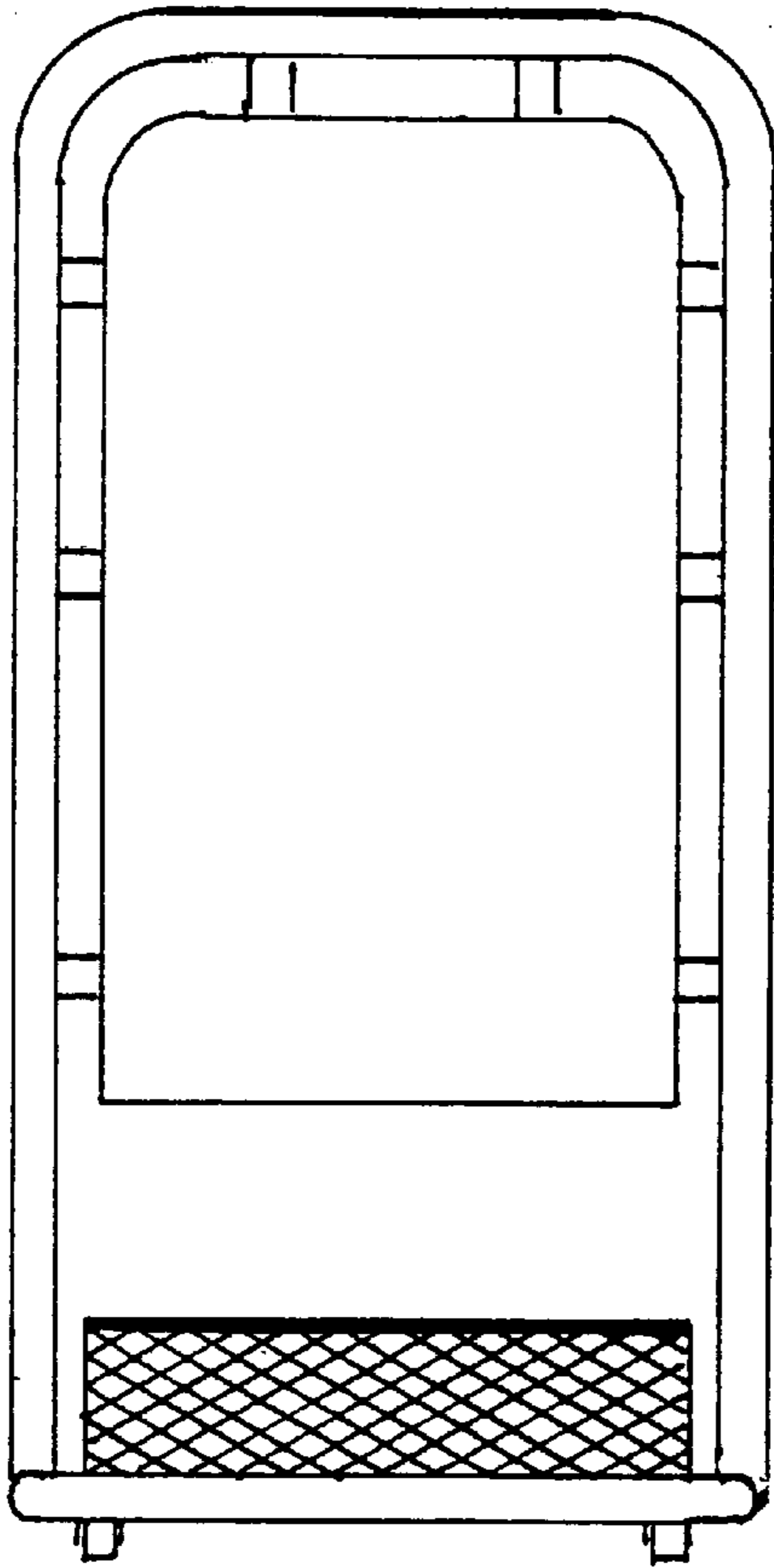
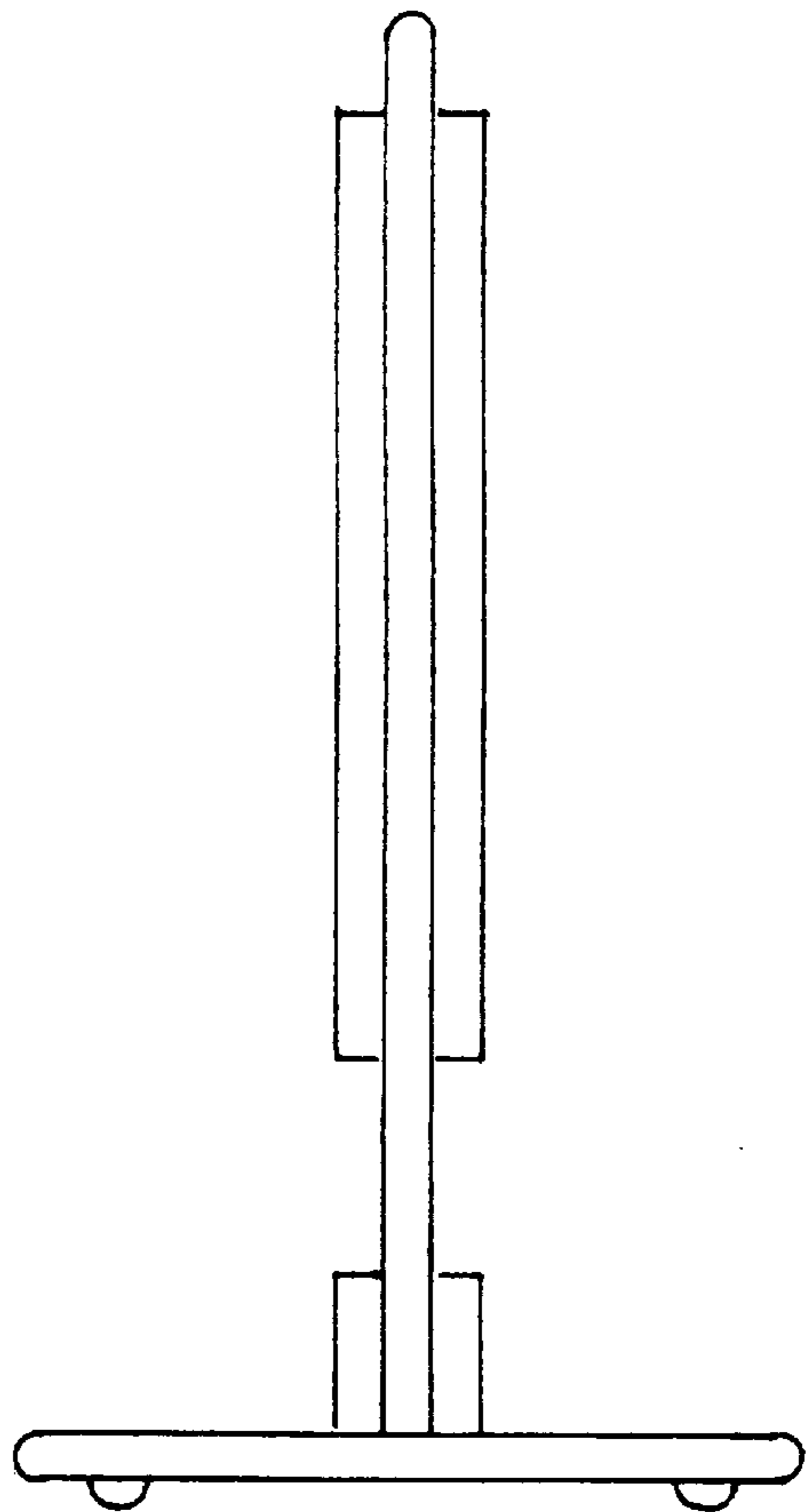


FIG. 1

FIG. 2



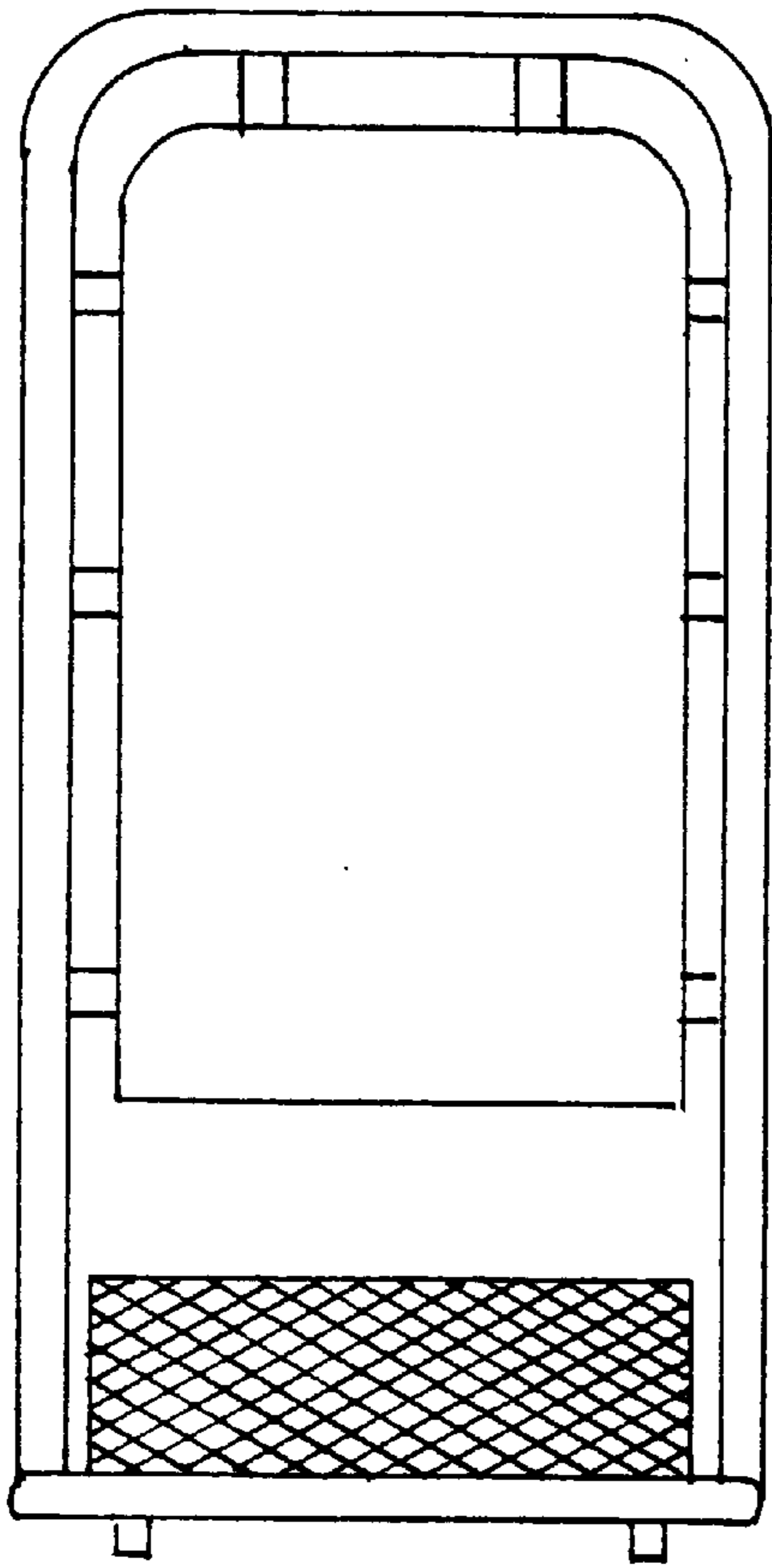
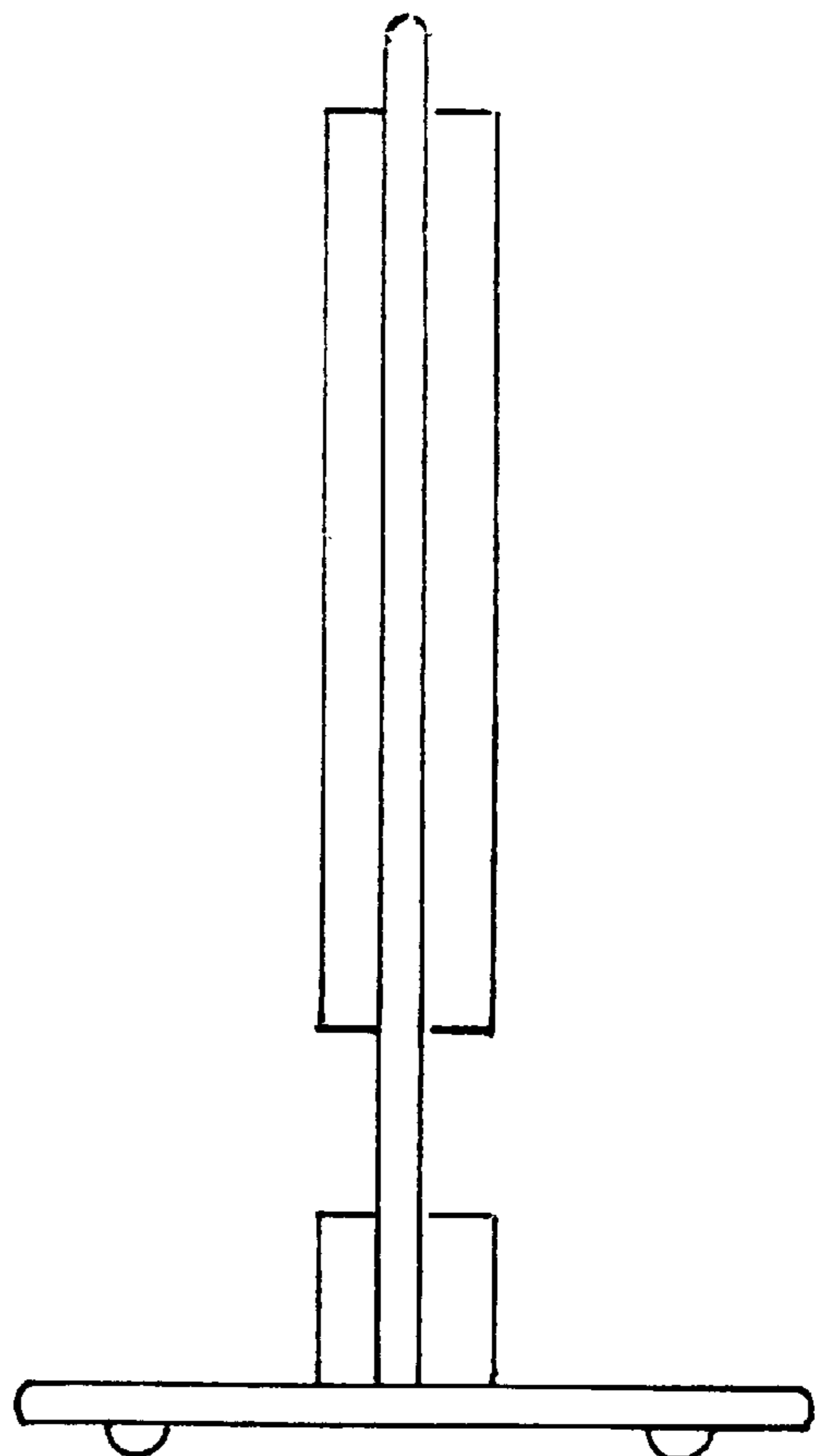


FIG. 3

FIG. 4



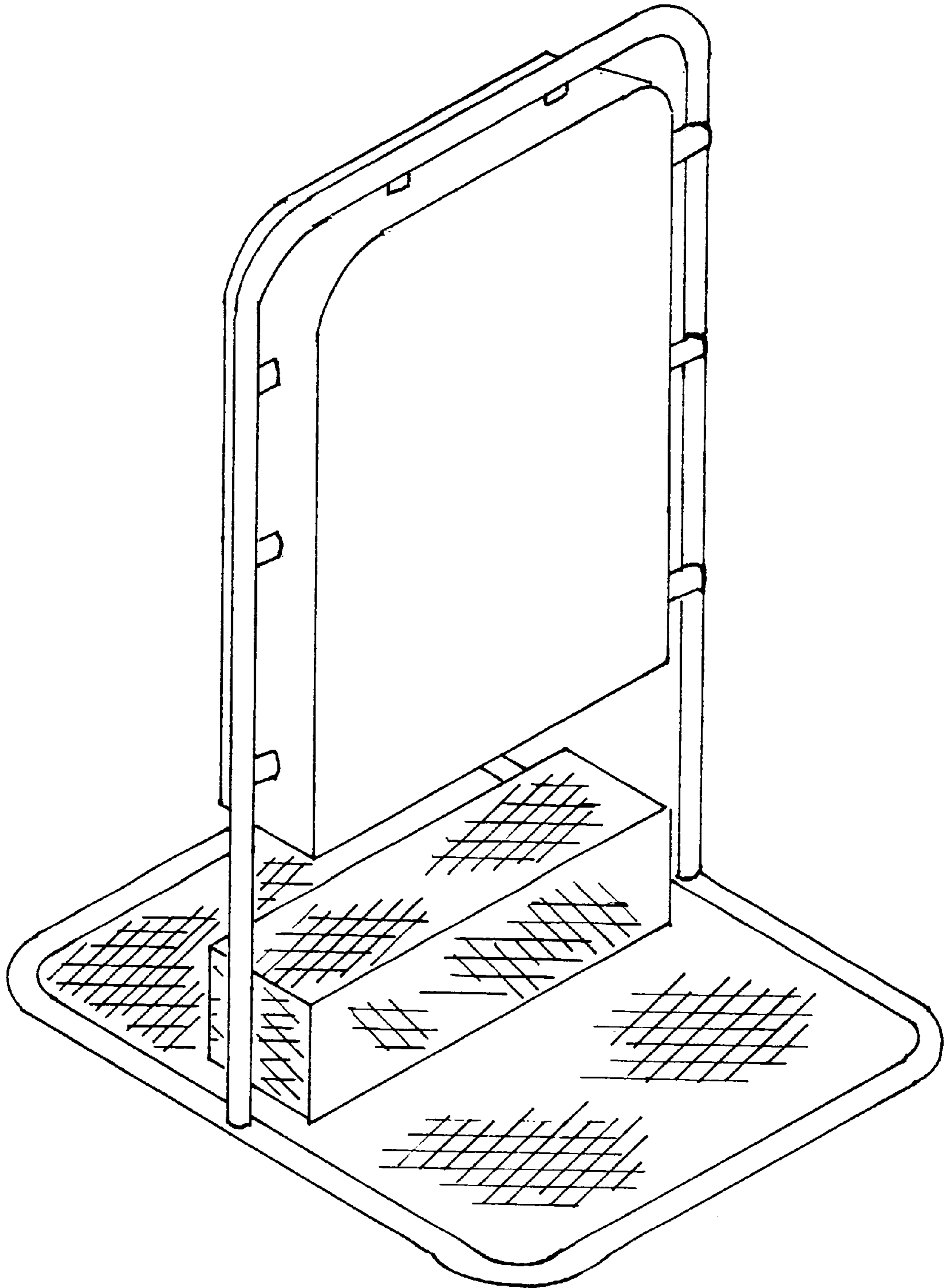


FIG. 5