



US00D450766B1

(12) **United States Design Patent**
Rosenbaum

(10) **Patent No.:** **US D450,766 S**

(45) **Date of Patent:** **** Nov. 20, 2001**

(54) **WRITING INSTRUMENT WITH GAME**

(75) **Inventor:** **Barry Rosenbaum**, West Bloomfield,
MI (US)

(73) **Assignee:** **Advance Watch Company, Ltd.**,
Warren, MI (US)

(**) **Term:** **14 Years**

(21) **Appl. No.:** **29/139,665**

(22) **Filed:** **Apr. 4, 2001**

(51) **LOC (7) Cl.** **19-06**

(52) **U.S. Cl.** **D19/36; D19/55; D19/46;**
D21/329

(58) **Field of Search** **D19/35, 36, 41-51,**
D19/53-58, 81-85; D21/324, 329, 331,
333; 401/52, 195; 273/292, 148 B, 144 B;
463/9-17, 30; 40/334

(56) **References Cited**

U.S. PATENT DOCUMENTS

- D. 252,973 * 9/1979 Bateman et al. D19/46 X
- D. 358,606 * 5/1995 Davis et al. D19/36
- D. 369,189 * 4/1996 Stambolic et al. D21/329
- D. 369,387 * 4/1996 Stambolic et al. D21/329
- D. 370,940 * 6/1996 Stambolic et al. D21/329
- D. 371,165 * 6/1996 Stambolic et al. D21/329

- D. 408,853 * 4/1999 Hornsby et al. D19/36
- D. 437,002 * 1/2001 Wudtke et al. D21/329
- 3,961,852 * 6/1976 Parry 401/195
- 5,016,881 * 5/1991 Lindsey 463/22
- 6,039,492 * 3/2000 Chen 401/195

* cited by examiner

Primary Examiner—Martie K. Holtje

(74) *Attorney, Agent, or Firm*—Brooks & Kushman P.C

(57) **CLAIM**

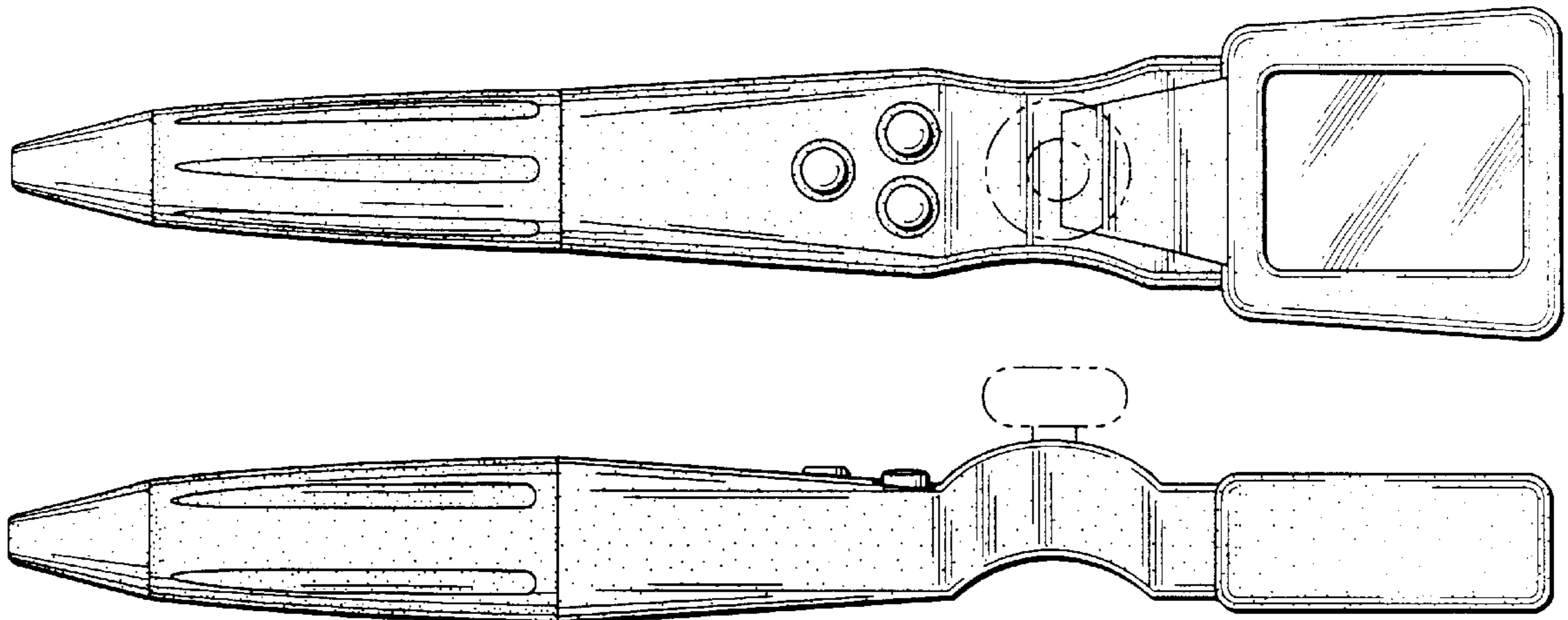
The ornamental design for a writing instrument with game,
as shown and described.

DESCRIPTION

FIG. 1 is a front elevational view of a writing instrument with game showing my new design;
 FIG. 2 is a side elevational view of the writing instrument with game, the opposite side elevational view being a mirror image thereof;
 FIG. 3 is a rear elevational view of the writing instrument with game;
 FIG. 4 is a bottom plan view of the writing instrument with game; and,
 FIG. 5 is a top plan view of the writing instrument with game.

The broken lines of FIGS. 1 through 5 are for illustrative purposes only and form no part of the claimed design.

1 Claim, 1 Drawing Sheet



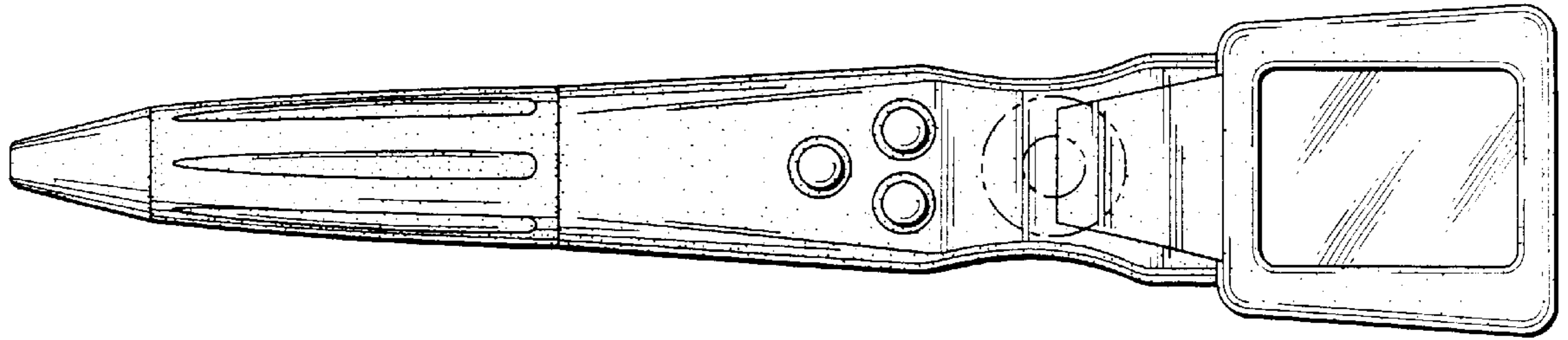


Fig. 1

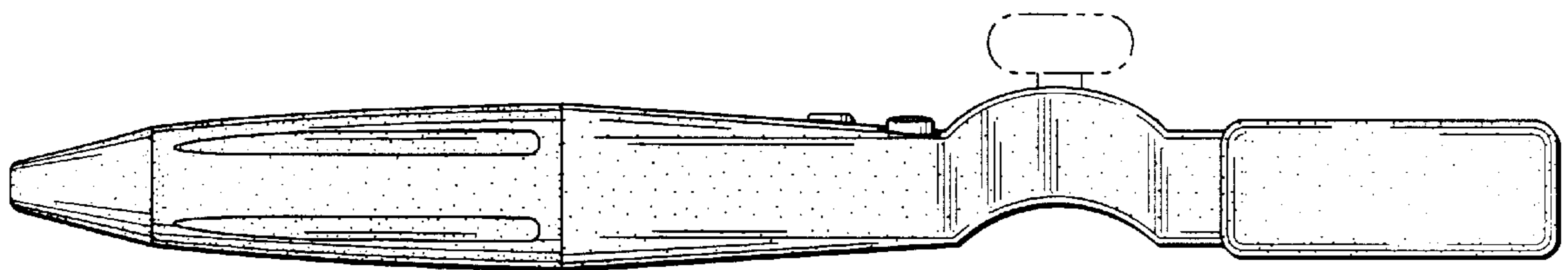


Fig. 2

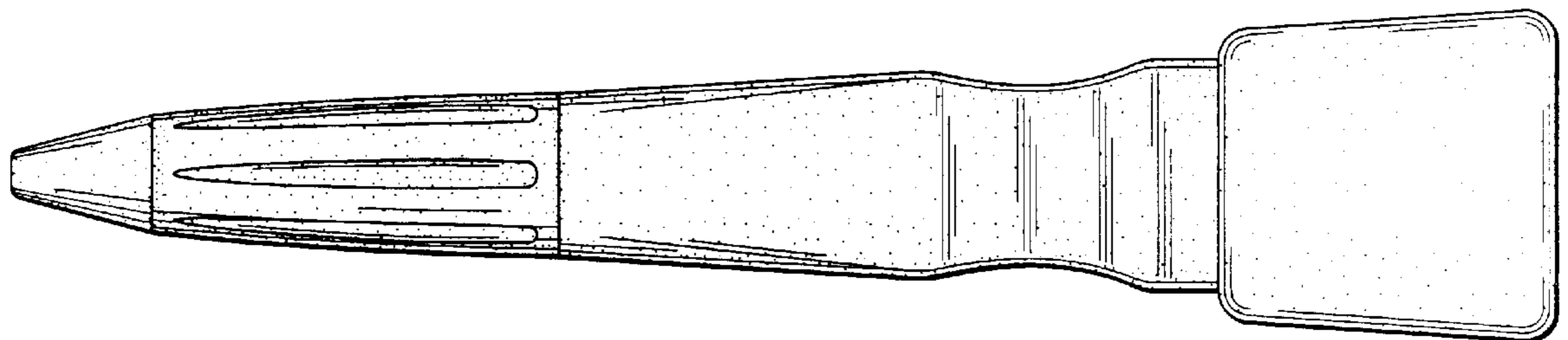


Fig. 3

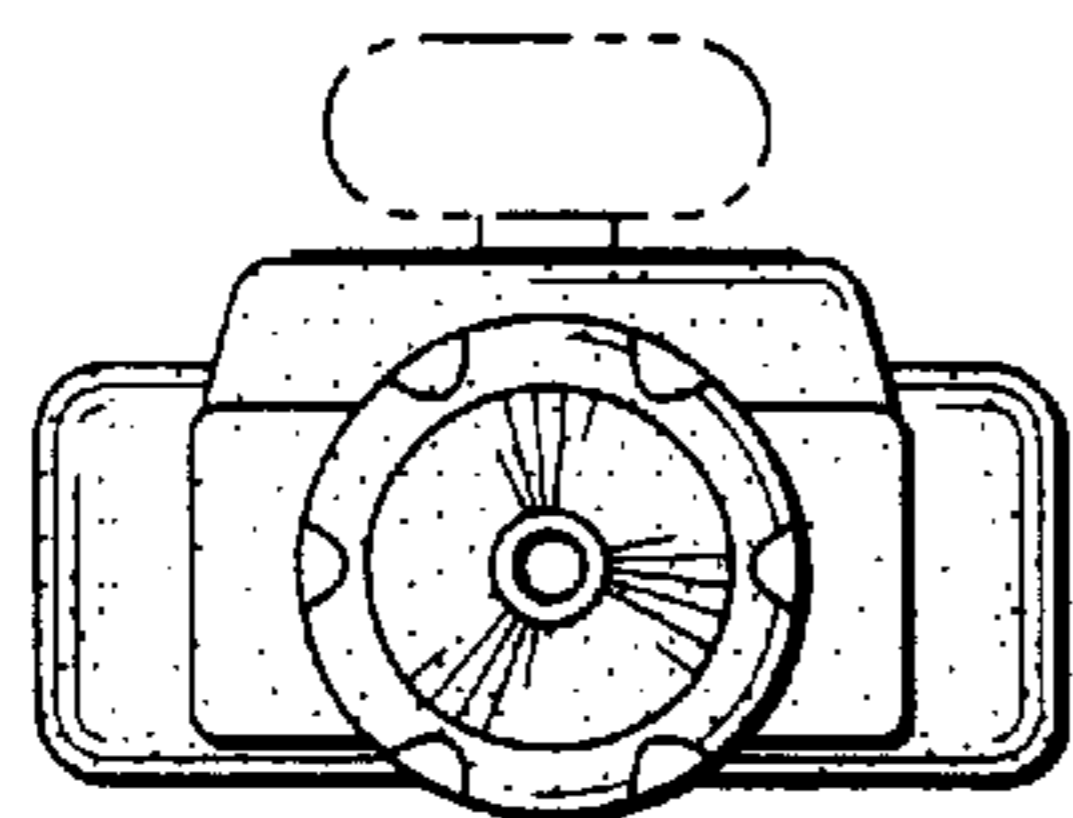


Fig. 4

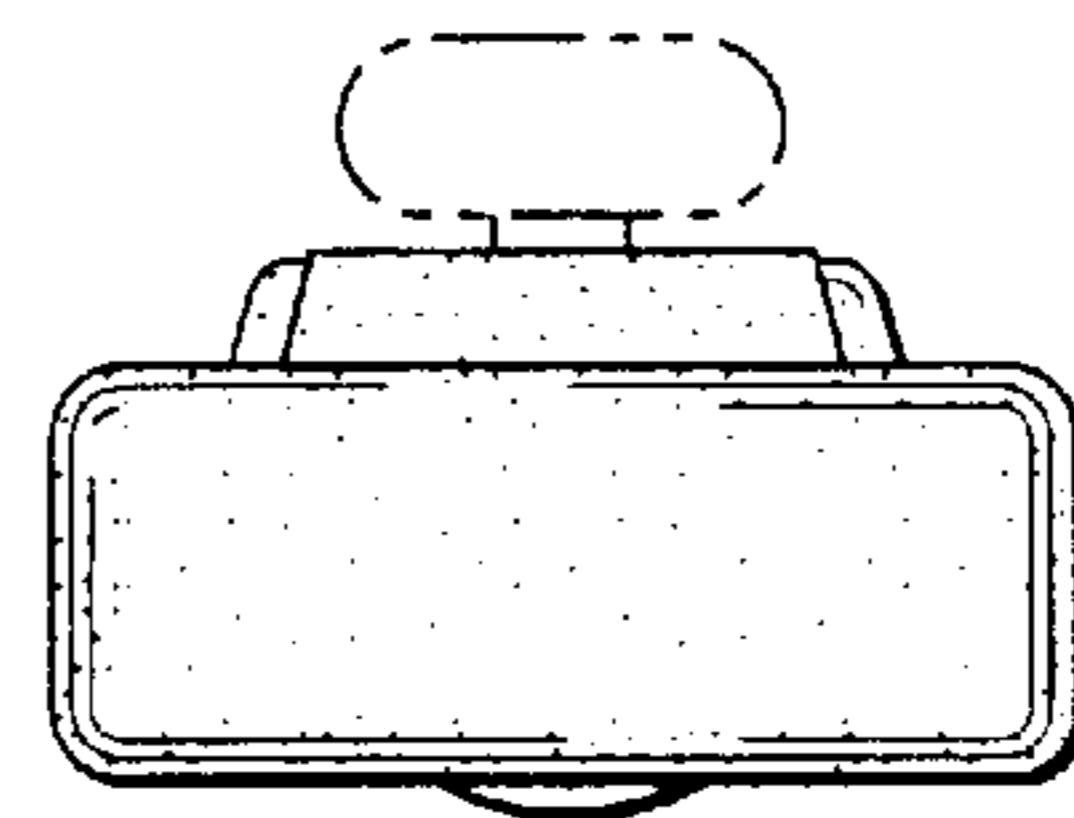


Fig. 5