



US00D450761B1

(12) **United States Design Patent**
Copeland

(10) **Patent No.:** **US D450,761 S**

(45) **Date of Patent:** **** Nov. 20, 2001**

(54) **ORNAMENTAL CALENDAR**

(76) Inventor: **Tommy Copeland**, 517 N. Spruce St.,
Colorado Springs, CO (US) 80905

(**) Term: **14 Years**

(21) Appl. No.: **29/132,674**

(22) Filed: **Nov. 13, 2000**

(51) **LOC (7) Cl.** **19-03**

(52) **U.S. Cl.** **D19/20**

(58) **Field of Search** D19/20, 21, 22,
D19/23, 24, 25; 40/107, 109, 111, 112,
117, 472, 518, 660; D18/11

(56) **References Cited**

U.S. PATENT DOCUMENTS

D. 87,979	*	10/1932	Robinson	D18/11
D. 164,557	*	9/1951	Downs, Jr.	D19/25
1,716,600	*	6/1929	Rehder	40/109
2,048,415	*	7/1936	Trollen	40/12
2,782,539	*	2/1957	Baker	40/111
3,432,952	*	3/1969	Pratt	40/117
4,136,473	*	1/1979	Coe	40/518

* cited by examiner

Primary Examiner—Paula A. Mortimer

(74) *Attorney, Agent, or Firm*—Linda Flewellen Gould

(57) **CLAIM**

The design for a ornamental calendar, as shown and described.

DESCRIPTION

FIG. 1 is a front view of a calendar showing my new design;
FIG. 2 is a front side view of a calendar showing my new design;

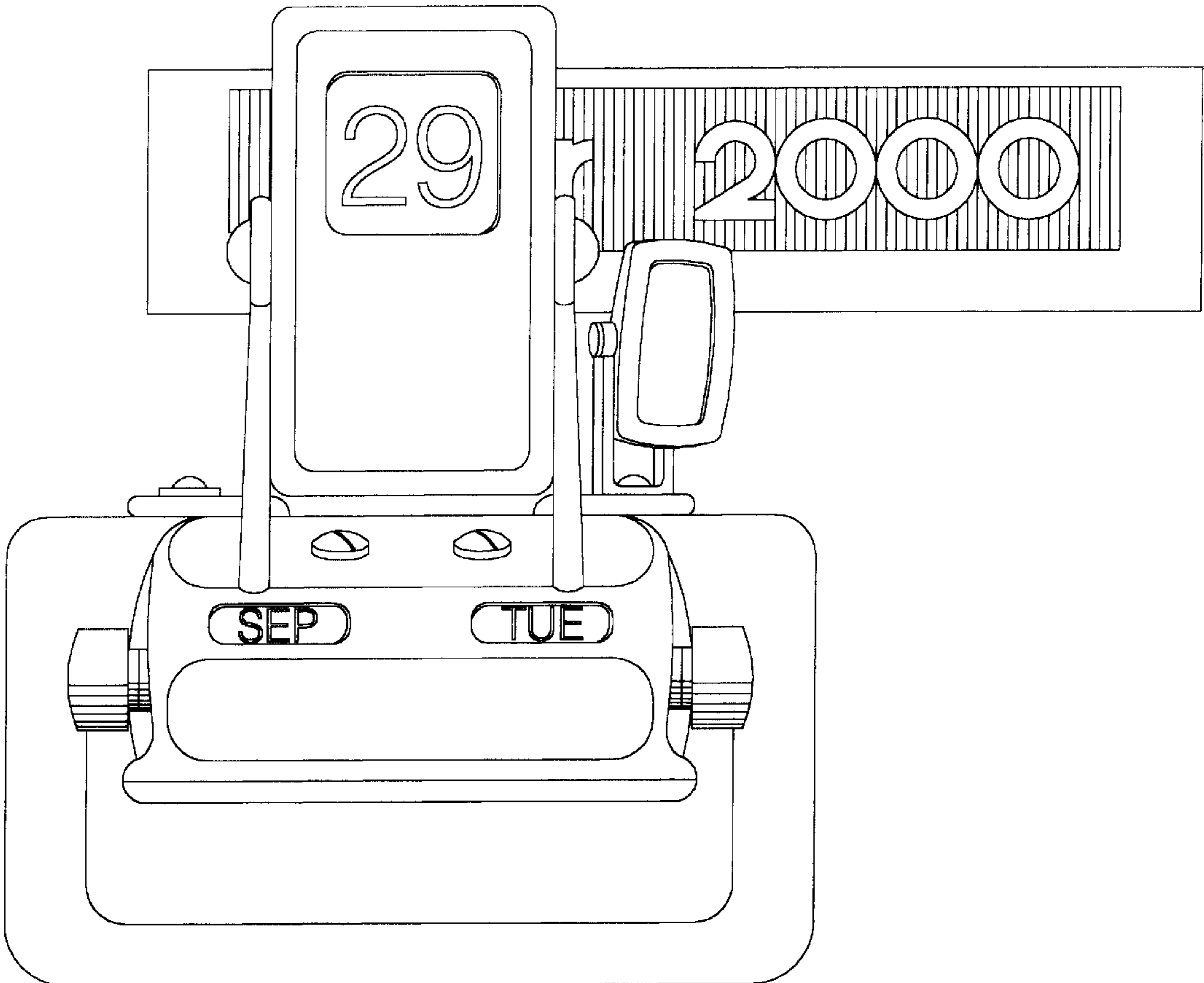
FIG. 3 is a side view of a calendar showing my new design;
FIG. 4 is a rear view of a calendar showing my new design;
FIG. 5 is a rear side view of a calendar showing my new design;

FIG. 6 is a top side view of a calendar showing my new design;

FIG. 7 is a bottom view of a calendar showing my new design; and,

FIG. 8 is a top view of a calendar showing my new design.

1 Claim, 8 Drawing Sheets



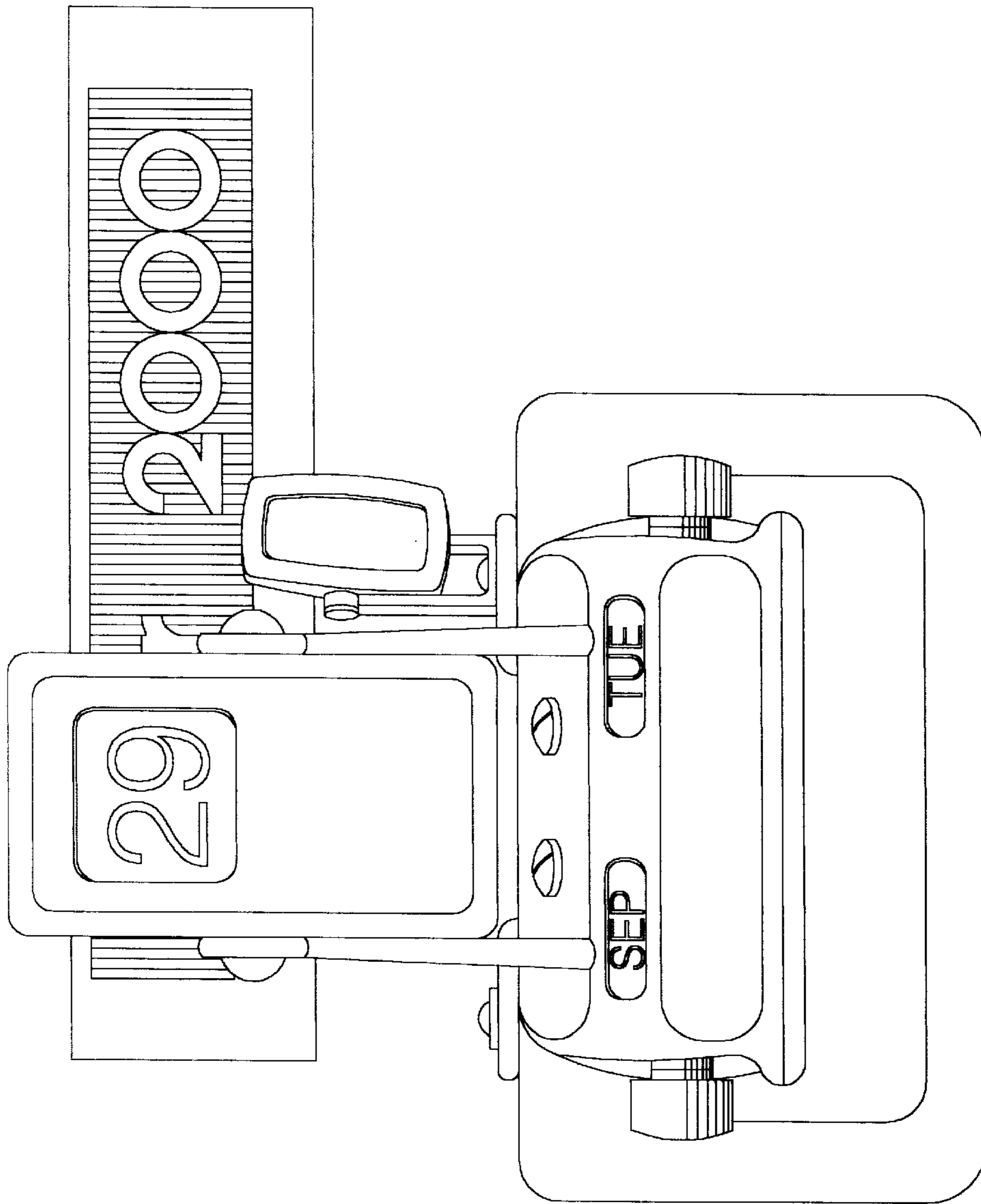


Figure 1

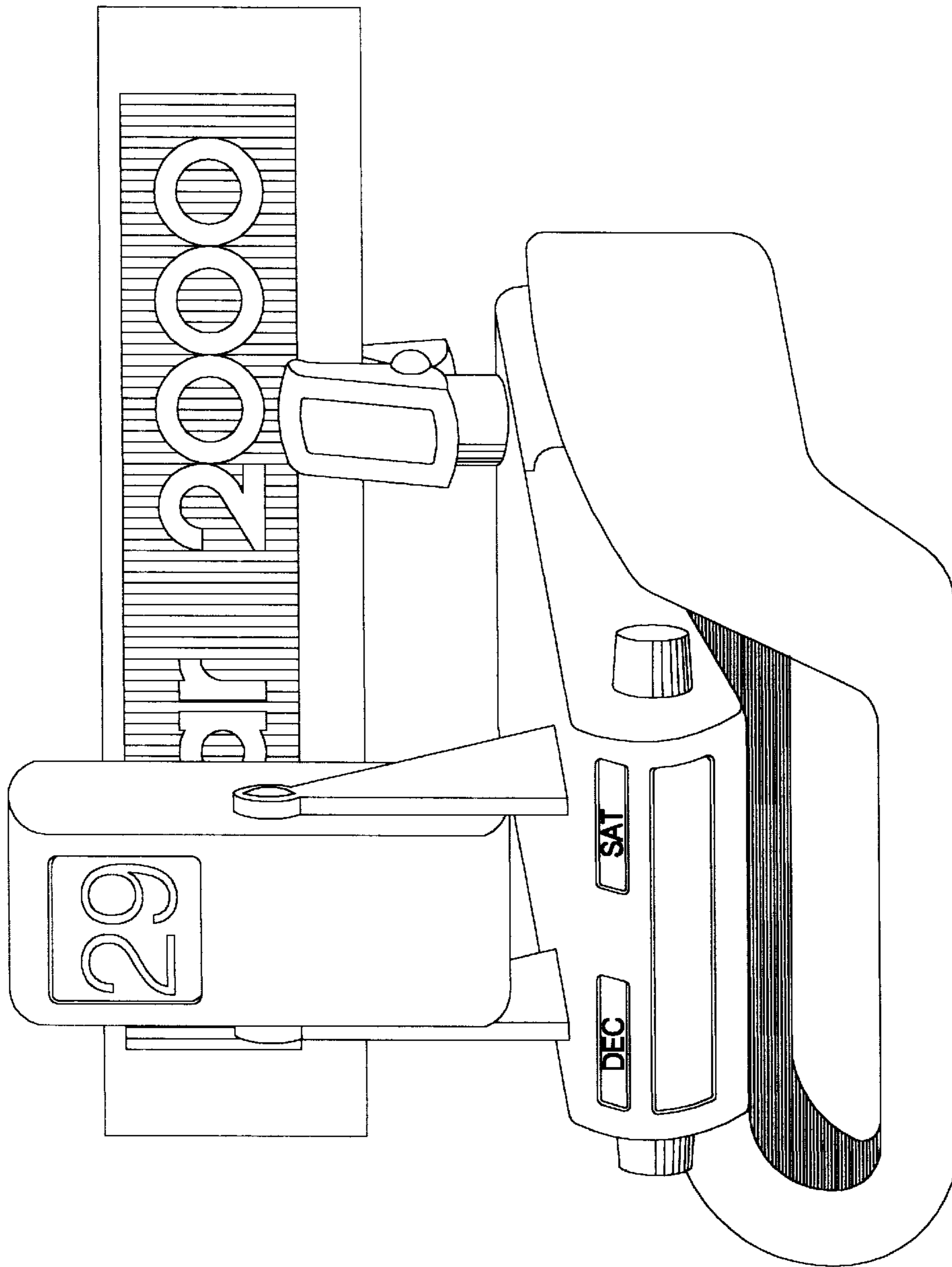


Figure 2

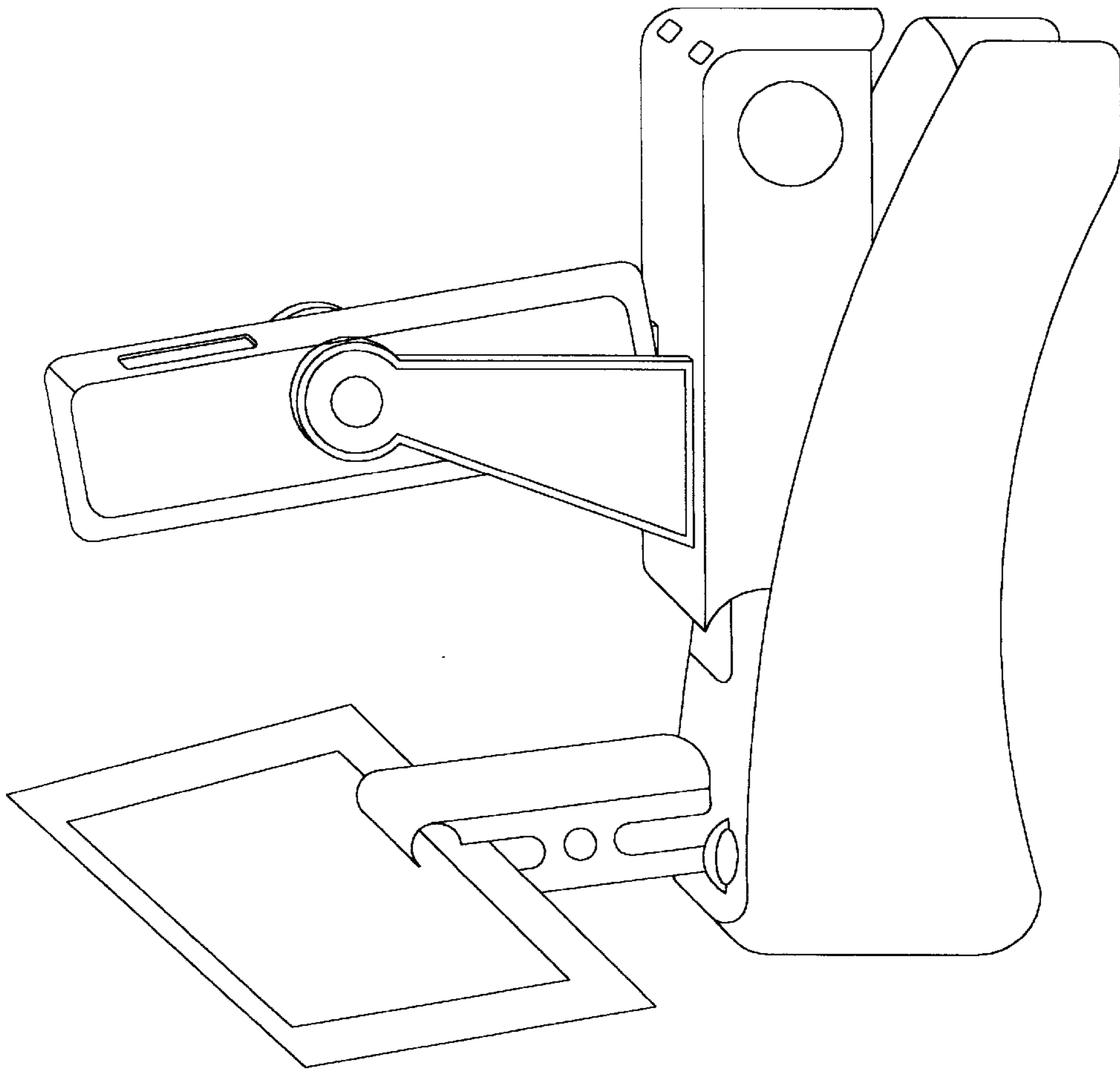


Figure 3

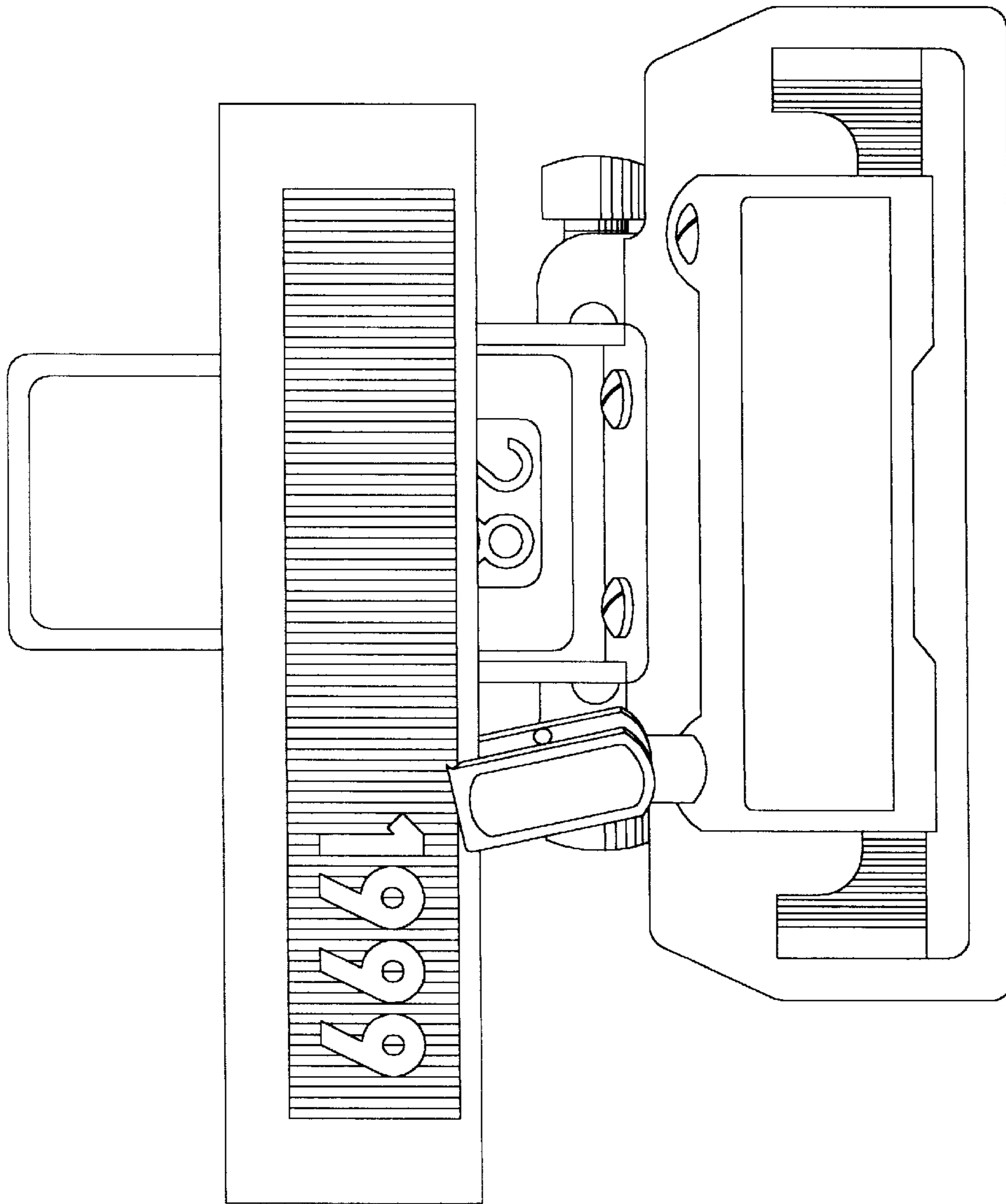


Figure 4

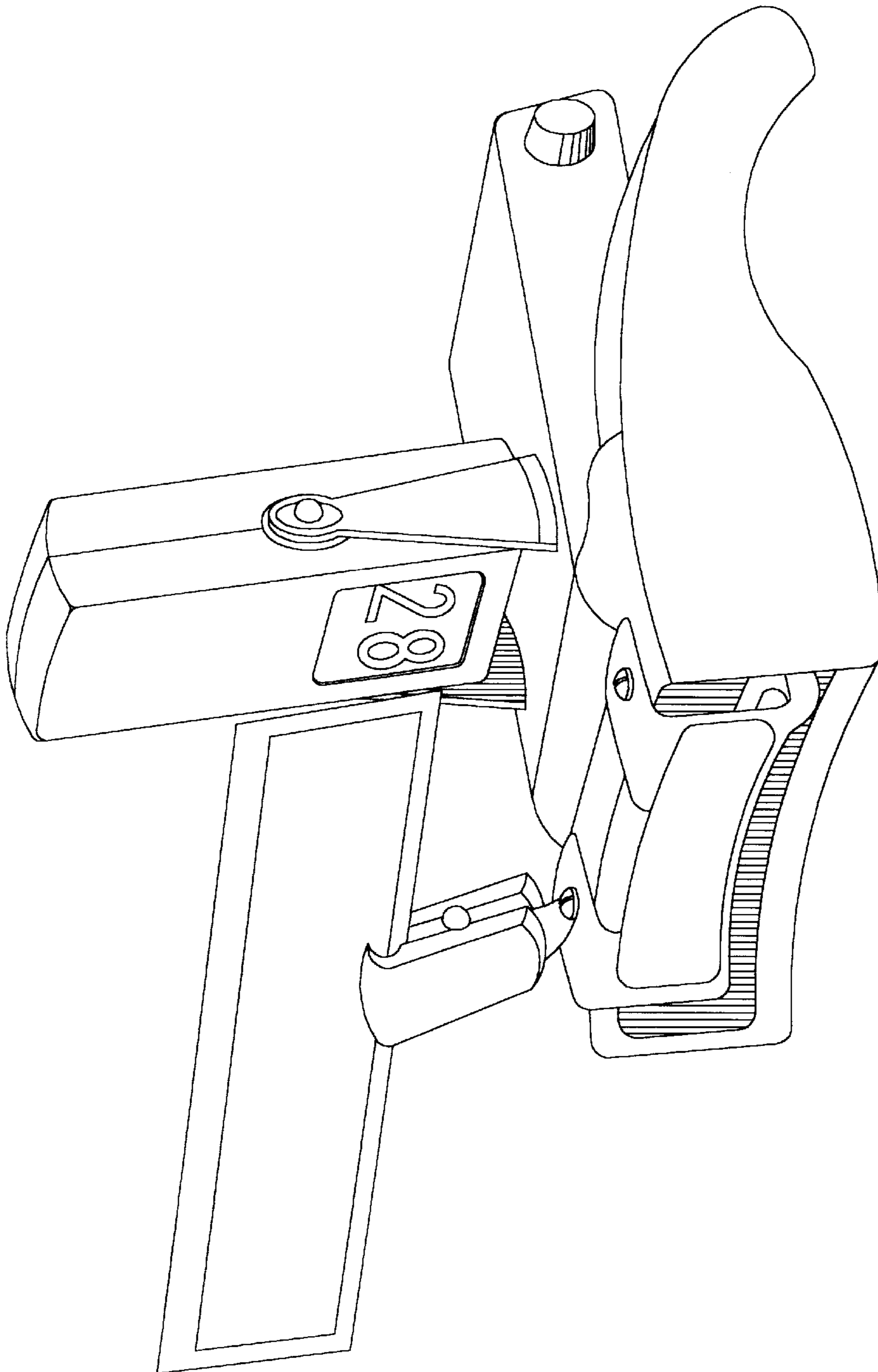


Figure 5

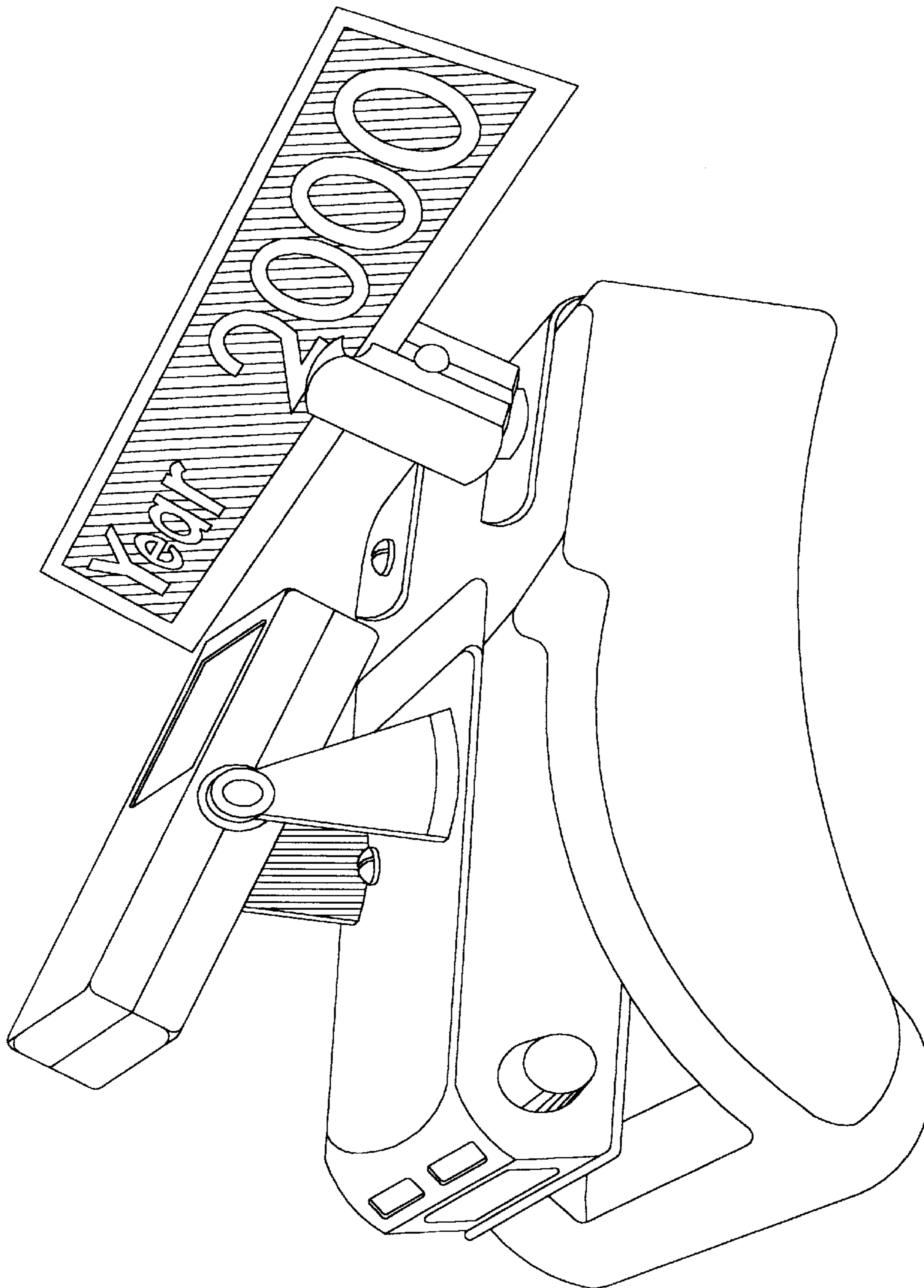


Figure 6

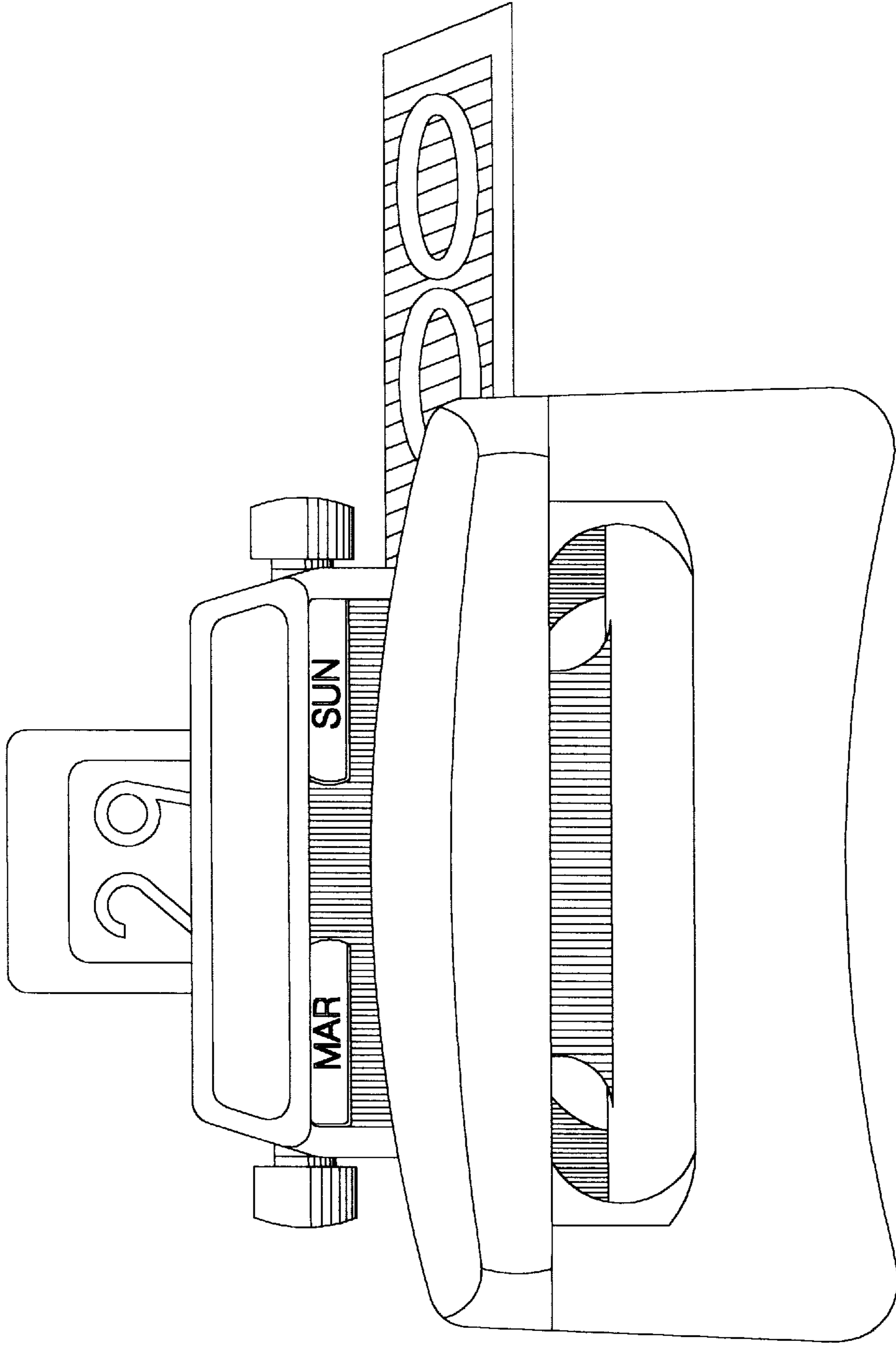


Figure 7

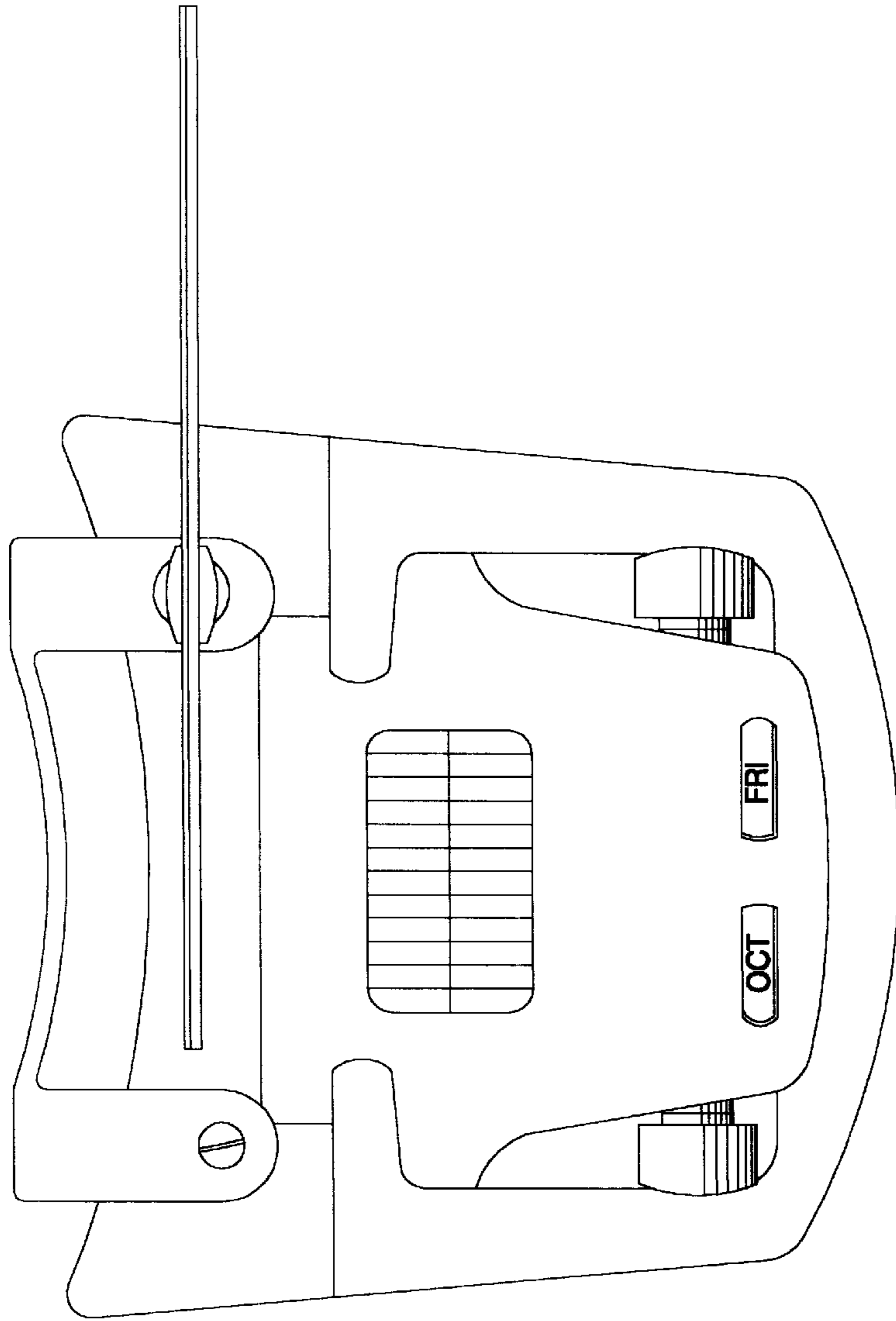


Figure 8