



US00D450758B1

(12) **United States Design Patent**
Stouffer

(10) **Patent No.:** **US D450,758 S**

(45) **Date of Patent:** **** Nov. 20, 2001**

(54) **LOCKING HUB**

(76) **Inventor:** **John D. Stouffer**, 14228 State Rd. 23,
Granger, IN (US) 46530

(**) **Term:** **14 Years**

(21) **Appl. No.:** **29/135,756**

(22) **Filed:** **Jan. 18, 2001**

(51) **LOC (7) Cl.** **18-02**

(52) **U.S. Cl.** **D18/56**

(58) **Field of Search** D18/43, 56; 347/86,
347/87, 136, 327, 214; 400/641, 202, 202.4,
588, 234; 101/228, 208, 232, 6, 288, 327;
271/182, 270, 300, 315, 187, 213; 493/427,
416

(56) **References Cited**

U.S. PATENT DOCUMENTS

D. 347,240	*	5/1994	Kenney	D18/56
D. 357,033	*	4/1995	Kenney	D18/56
D. 419,183		1/2000	Stouffer .		
1,118,101	*	11/1914	Brown	400/641
1,142,005	*	6/1915	Yaw	400/588
1,675,045	*	6/1928	Ohmer et al.	101/228
2,140,834	*	12/1938	Gazette	101/228
3,049,178	*	8/1962	Smith, Jr.	101/228
4,450,035	*	5/1984	Hamisch, Jr. et al.	101/288

4,475,457	*	10/1984	Davison	101/228
4,797,690	*	1/1989	Takita et al.	400/234
5,137,382	*	8/1992	Miyajima	400/202.4
5,179,896	*	1/1993	Copeland	101/6
5,326,182	*	7/1994	Hagstrom	400/234
5,415,094	*	5/1995	Morrone	101/327
5,619,244	*	4/1997	Manna	347/214
5,717,495	*	2/1998	Sakai et al.	346/136
5,820,279	*	10/1998	Lodwig et al.	400/234
5,957,599	*	9/1999	Yamada	400/641
6,130,699	*	10/2000	Christensen et al.	400/234
6,231,044	*	5/2001	Neary et al.	271/270

* cited by examiner

Primary Examiner—Cathy Anne MacCormac
(74) *Attorney, Agent, or Firm*—Leo H McCormick, Jr.

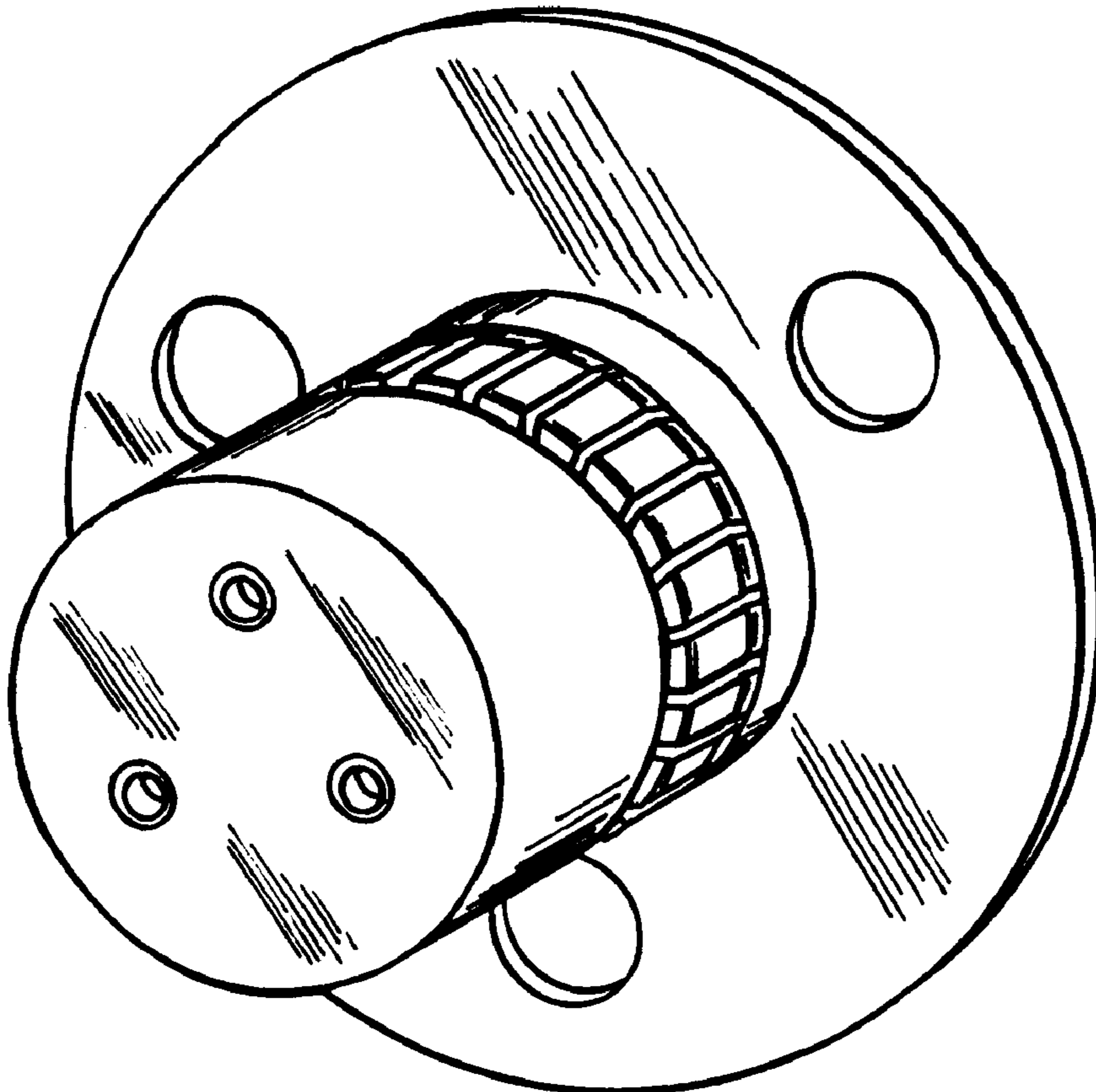
(57) **CLAIM**

The ornamental design for a locking hub, as shown and described.

DESCRIPTION

FIG. 1 is a perspective view of a locking hub showing my new design;
FIG. 2 is a front elevation view thereof;
FIG. 3 is a side elevation view thereof; and,
FIG. 4 is a rear elevation view thereof.

1 Claim, 1 Drawing Sheet



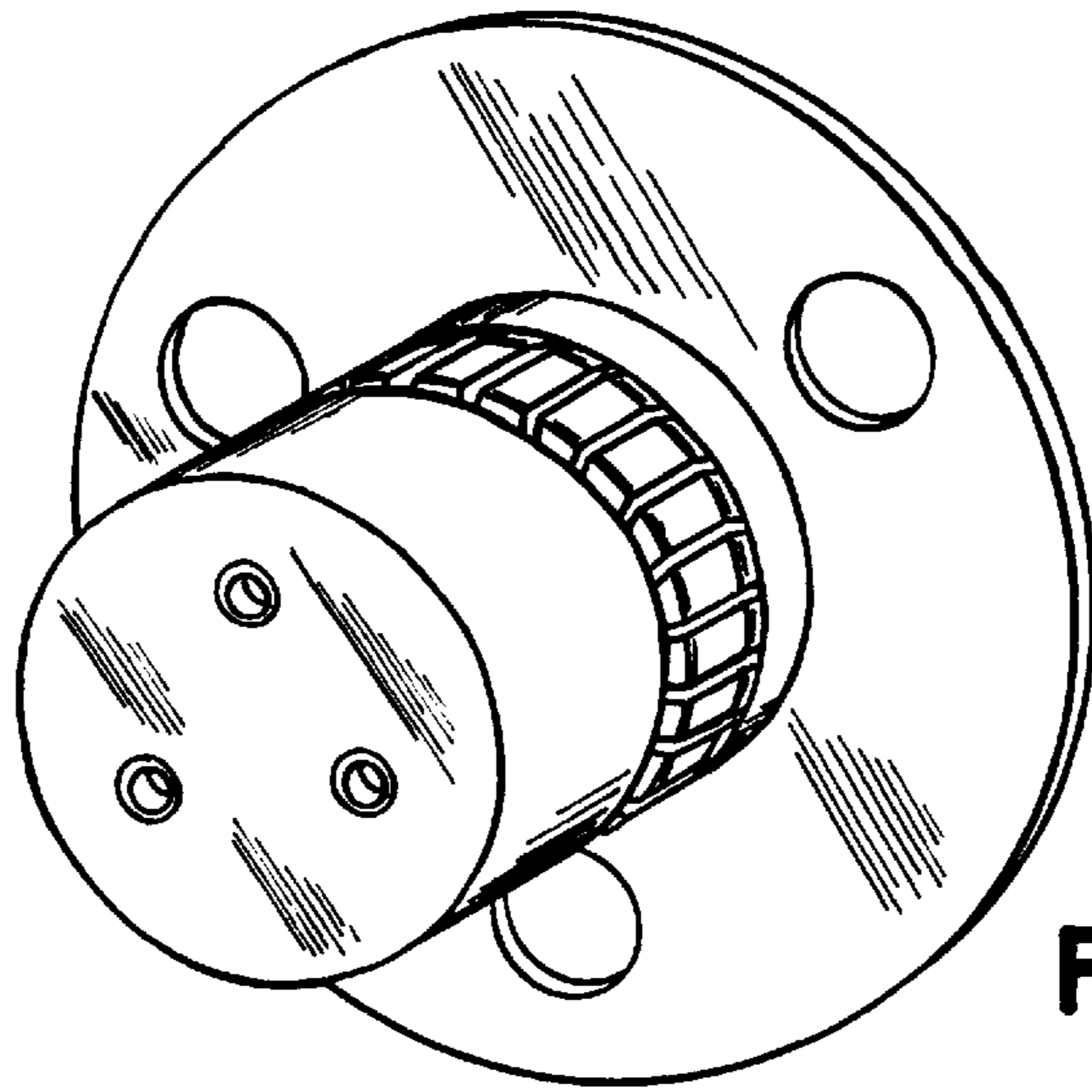


FIG. 1

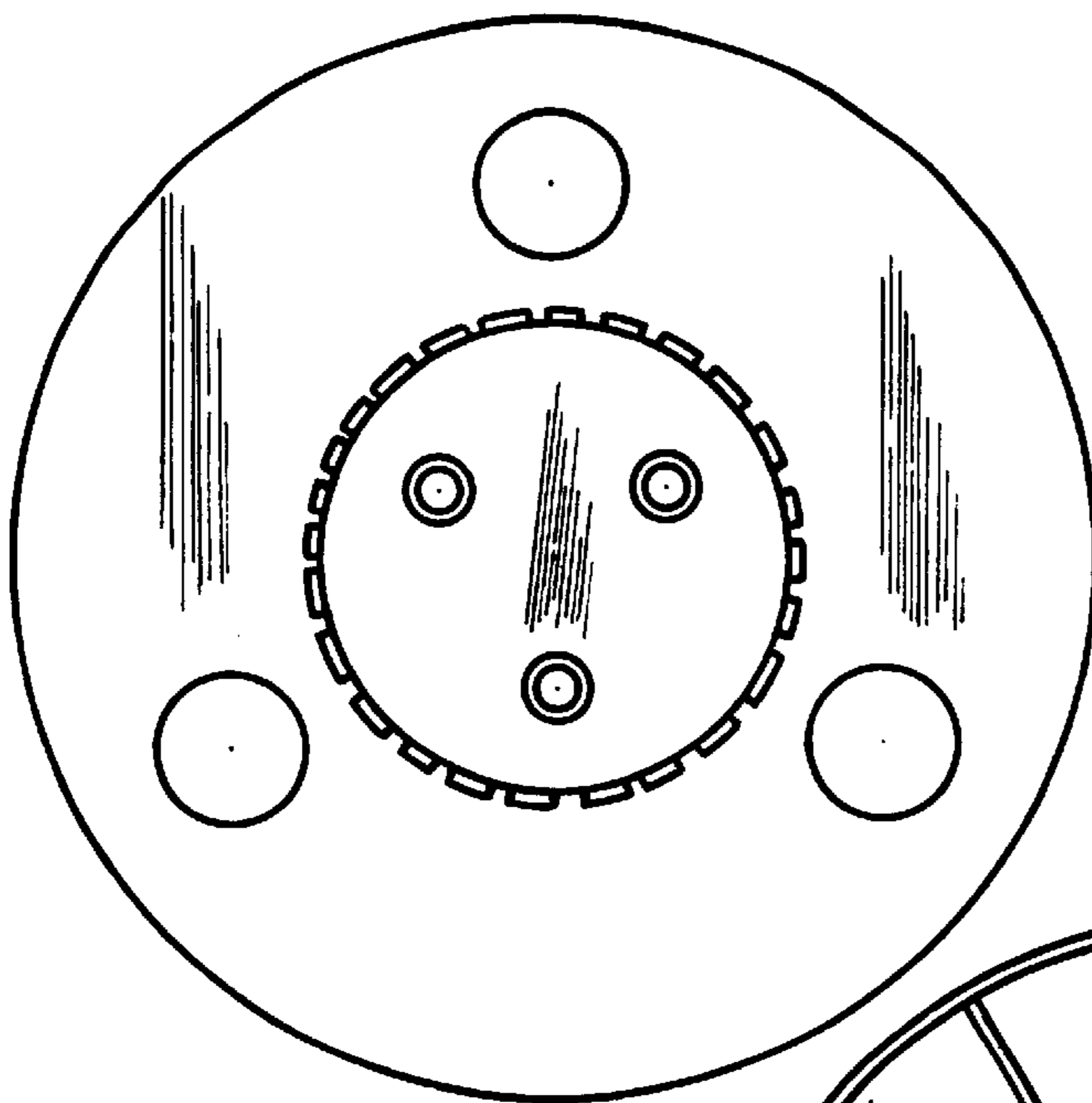


FIG. 2

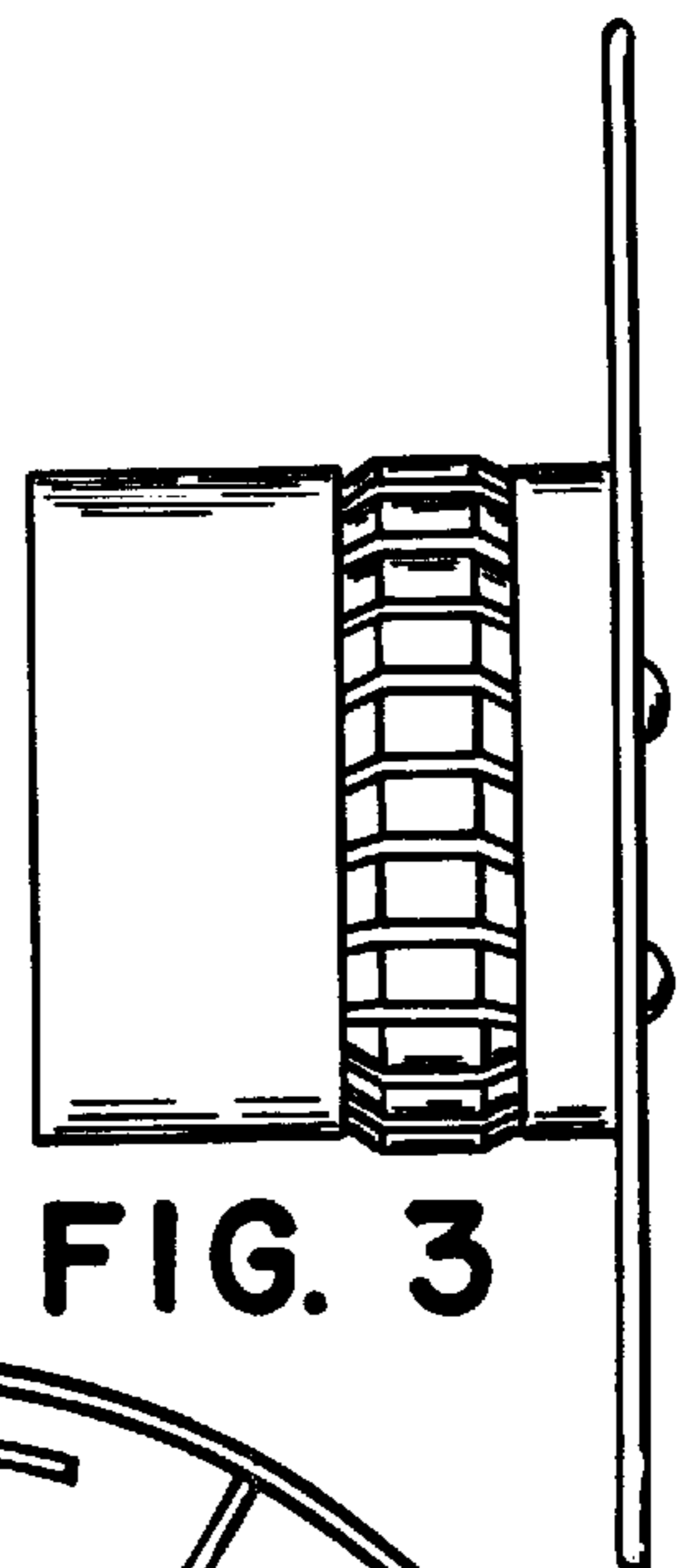


FIG. 3

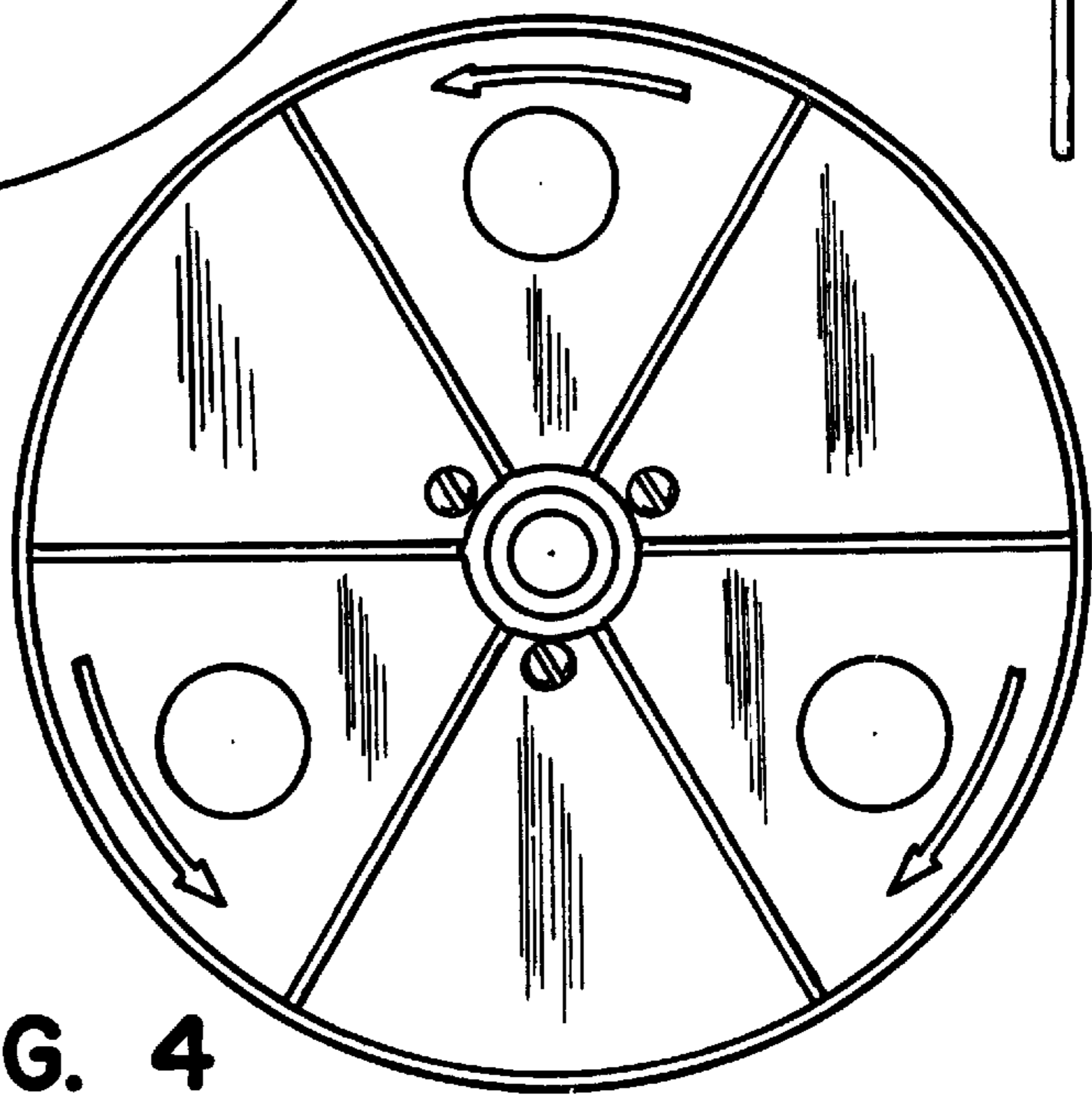


FIG. 4