



US00D450756B1

(12) **United States Design Patent**  
**Fetherolf et al.**

(10) **Patent No.:** **US D450,756 S**

(45) **Date of Patent:** **\*\* Nov. 20, 2001**

(54) **DOCUMENT PRINTER**

(75) Inventors: **Will G Fetherolf; Eric Eskey**, both of  
Boise, ID (US)

(73) Assignee: **Hewlett-Packard Co.**, Palo Alto, CA  
(US)

(\*\*) Term: **14 Years**

(21) Appl. No.: **29/130,532**

(22) Filed: **Oct. 2, 2000**

(51) **LOC (7) Cl.** ..... **14-02**

(52) **U.S. Cl.** ..... **D18/55**

(58) **Field of Search** ..... D18/50, 54-55,  
D18/36-39; 400/613, 613.1-613.4, 691-694,  
690.1-690.4; D14/462-470

(56) **References Cited**

**U.S. PATENT DOCUMENTS**

D. 378,926	*	4/1997	Dubson	.....	D18/50
D. 382,894	*	8/1997	Berriman et al.	.....	D18/55
D. 417,866	*	12/1999	Mitsui	.....	D14/470
D. 421,455	*	3/2000	Kobayashi et al.	.....	D18/54
D. 431,048	*	9/2000	Gassett et al.	.....	D18/55

D. 432,566	*	10/2000	Bishop et al.	.....	D18/55
D. 437,349	*	2/2001	Saito et al.	.....	D18/55
D. 439,275	*	3/2001	Ohashi	.....	D18/55
D. 439,276	*	3/2001	Kemmochi et al.	.....	D18/55
D. 441,394	*	5/2001	Kobayashi et al.	.....	D18/54
D. 441,784	*	5/2001	Leong et al.	.....	D18/55
D. 443,638	*	6/2001	Kobayashi et al.	.....	D18/54
D. 444,170	*	6/2001	Ichi et al.	.....	D18/54
D. 444,813	*	7/2001	Quijano	.....	D18/55
D. 445,451	*	7/2001	Clark, III et al.	.....	D18/55

\* cited by examiner

*Primary Examiner*—Cathy Anne MacCormac

(57) **CLAIM**

The ornamental design for a document printer, as shown.

**DESCRIPTION**

FIG. 1 is a perspective view of a document printer showing the new design;

FIG. 2 is a front view thereof;

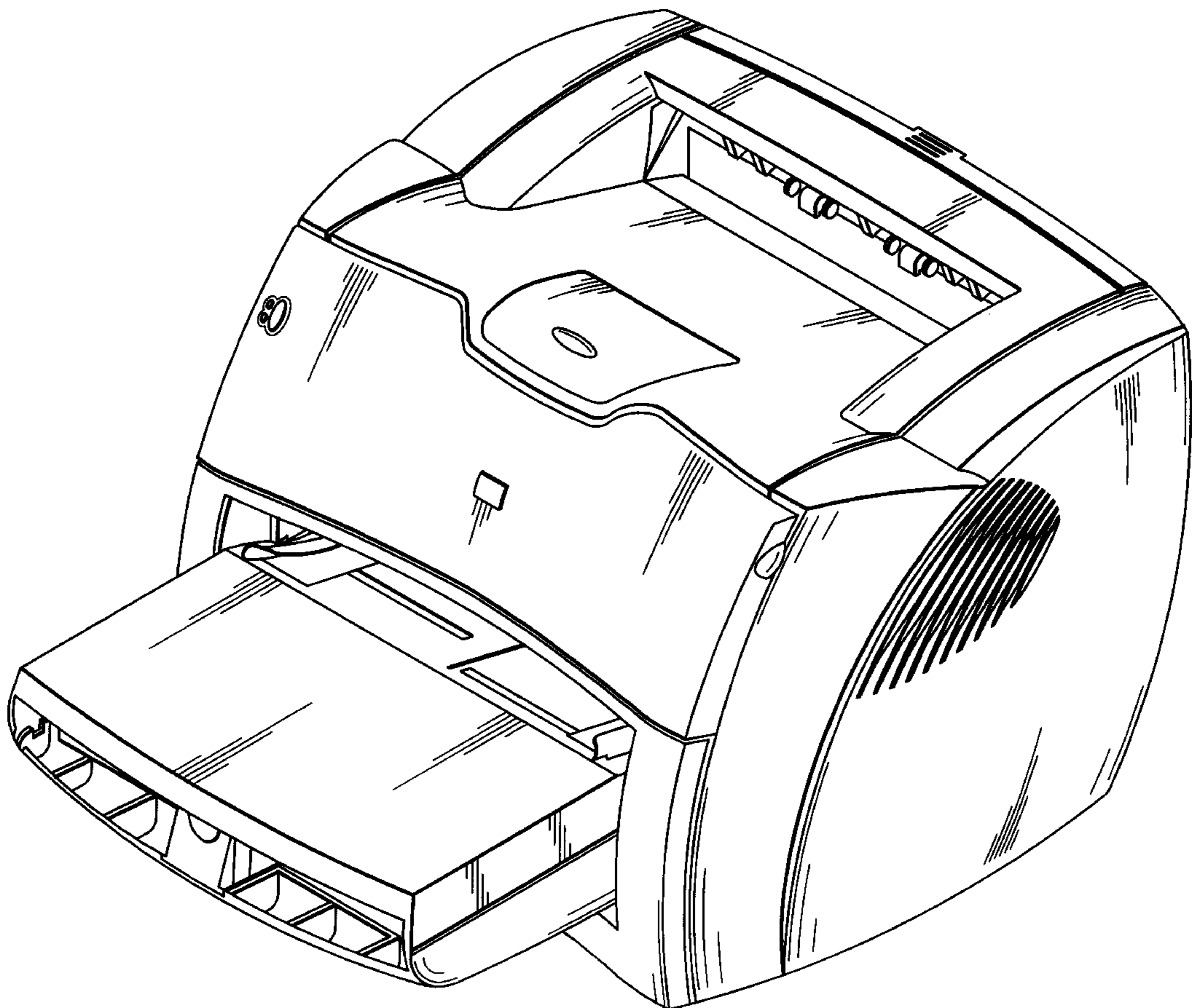
FIG. 3 is a rear view thereof;

FIG. 4 is a top view thereof;

FIG. 5 is a right side view thereof; and,

FIG. 6 is a left side view thereof.

**1 Claim, 4 Drawing Sheets**



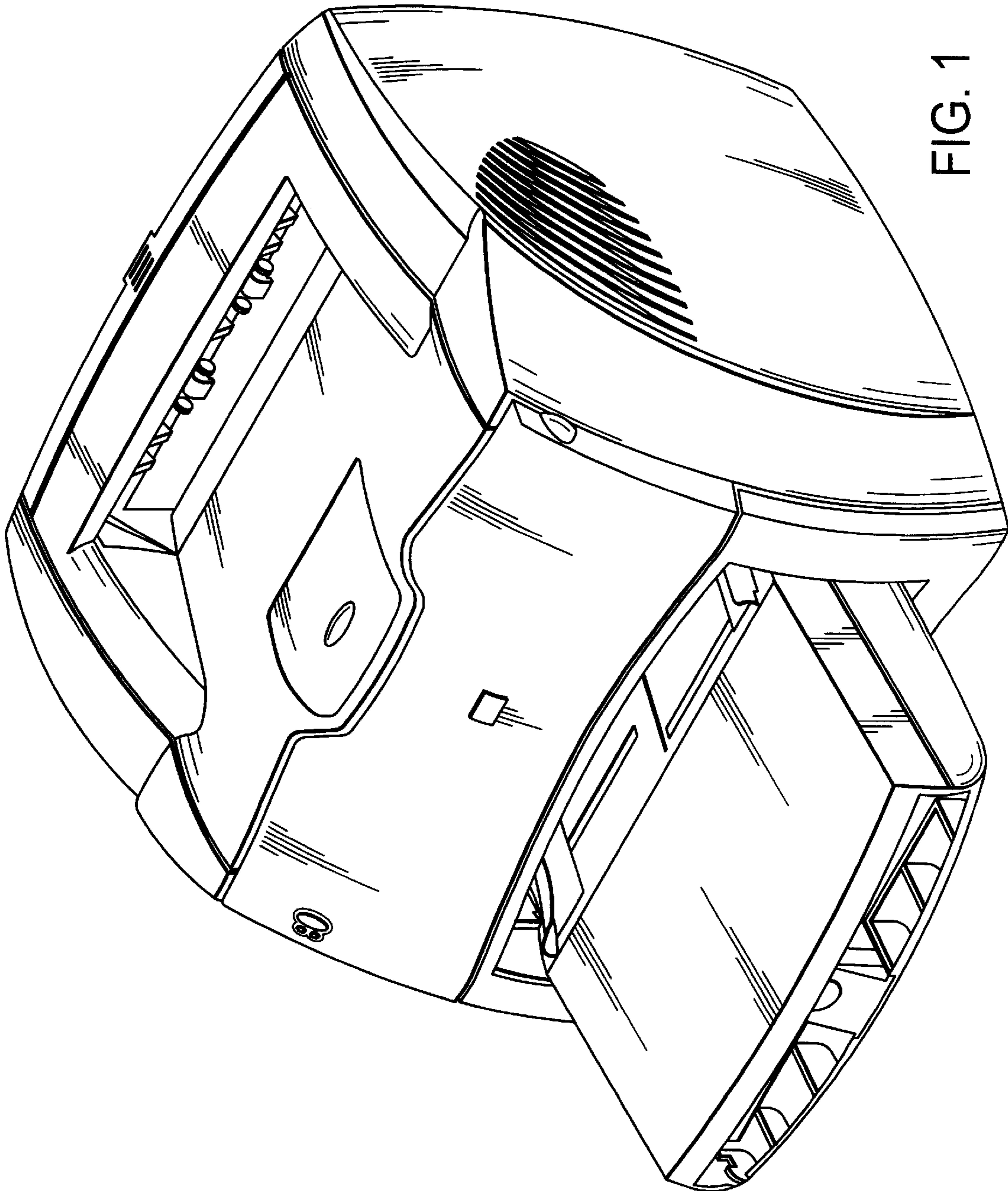


FIG. 1

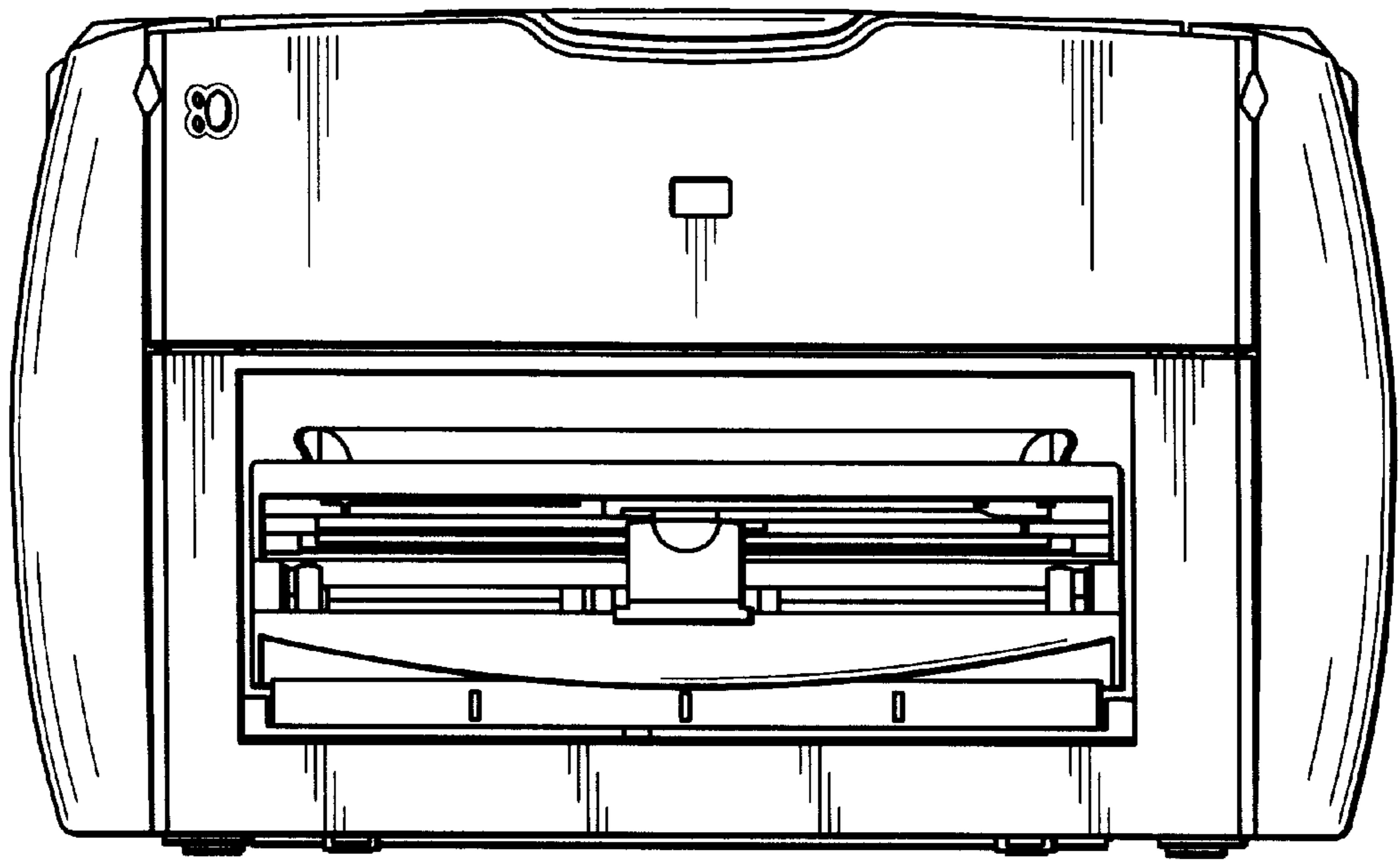


FIG. 2

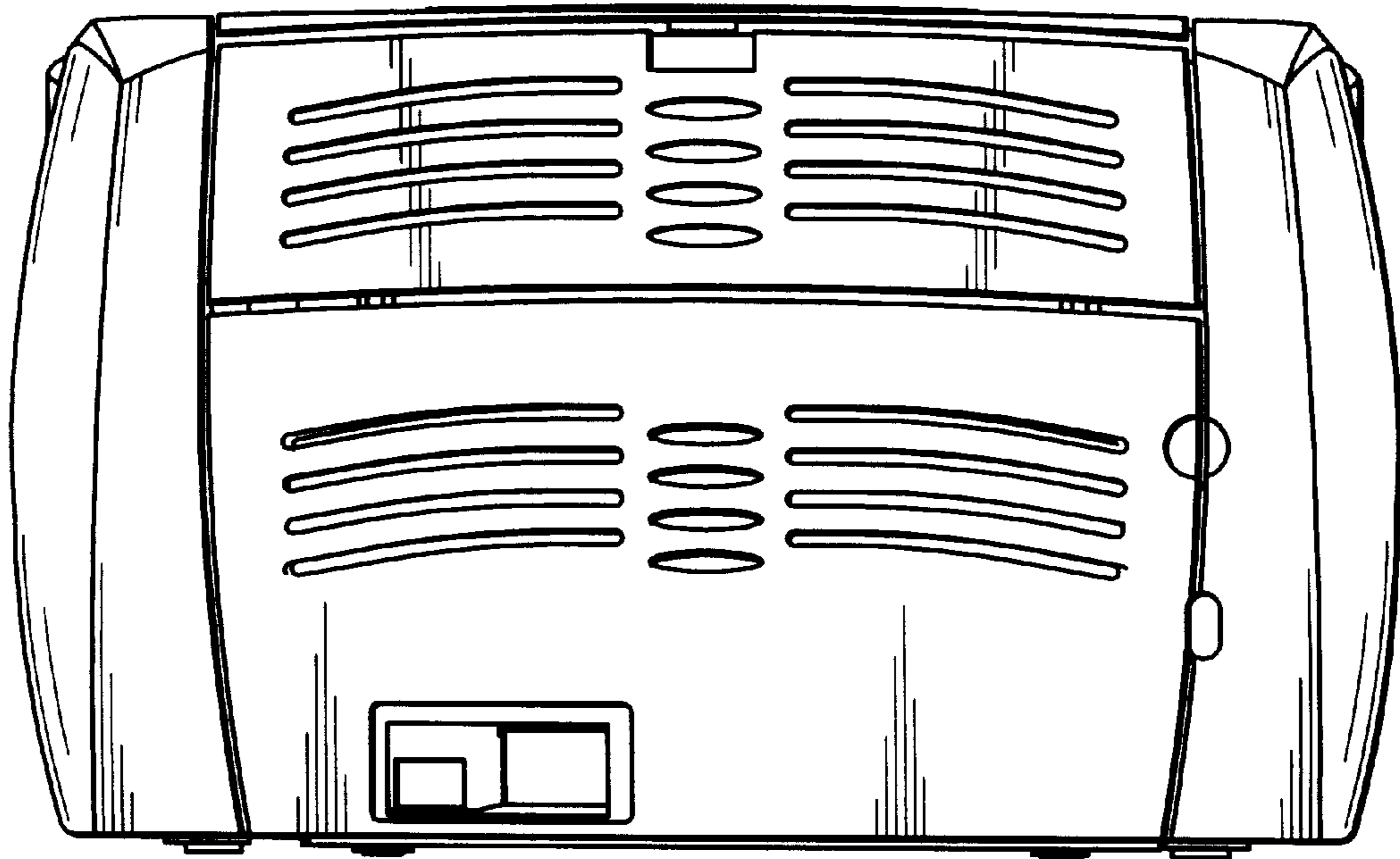


FIG. 3

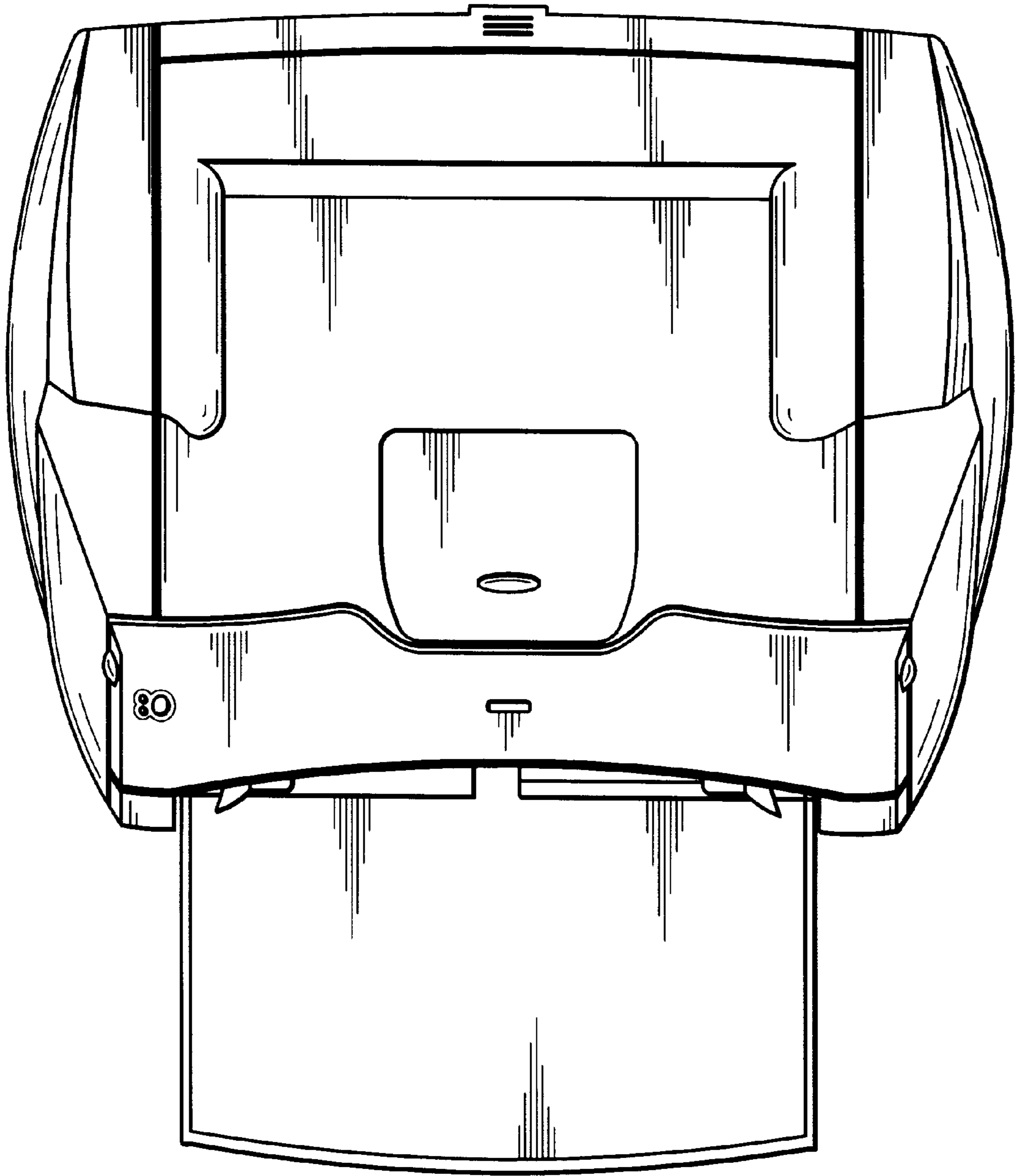


FIG. 4

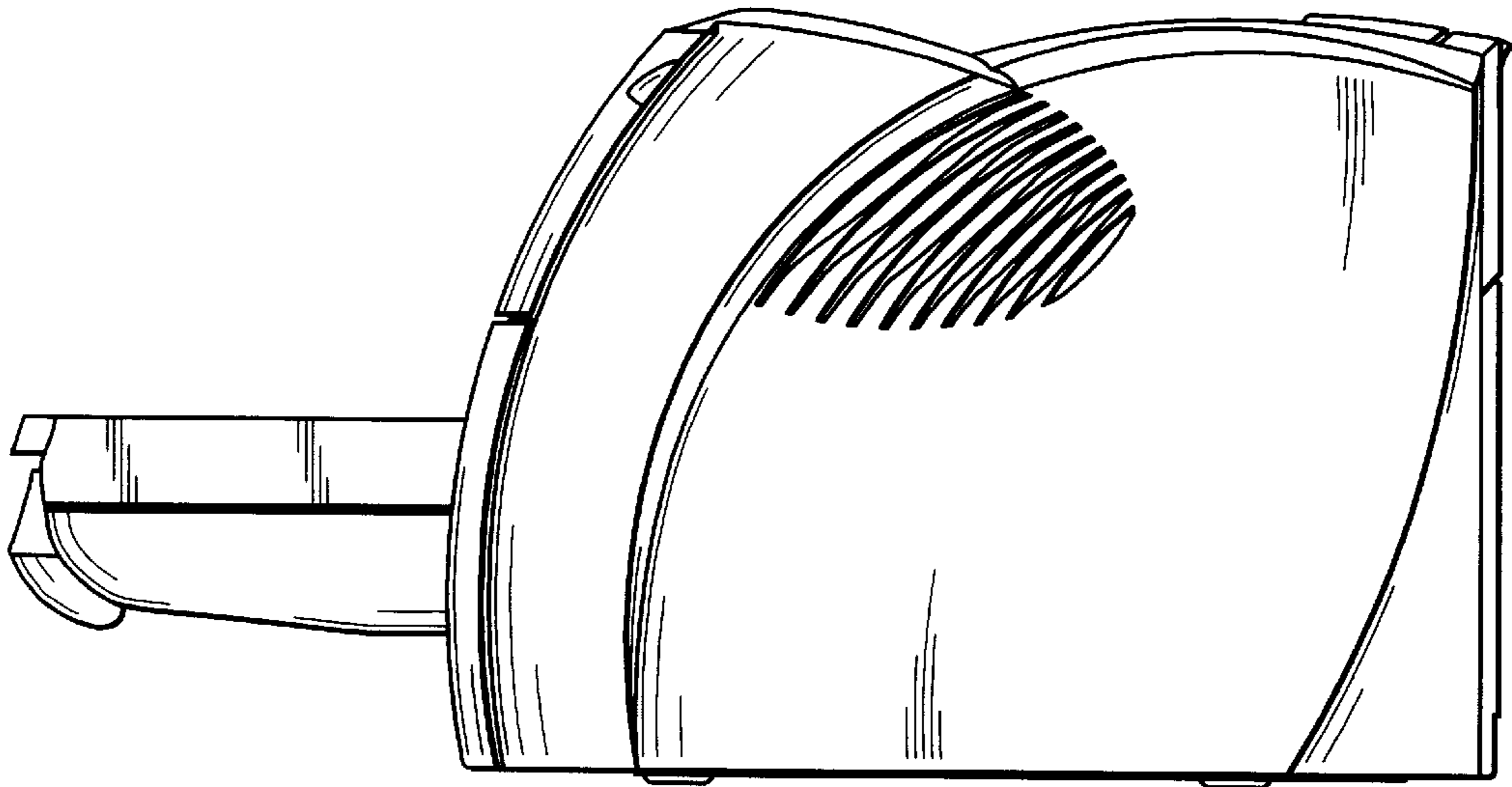


FIG. 5

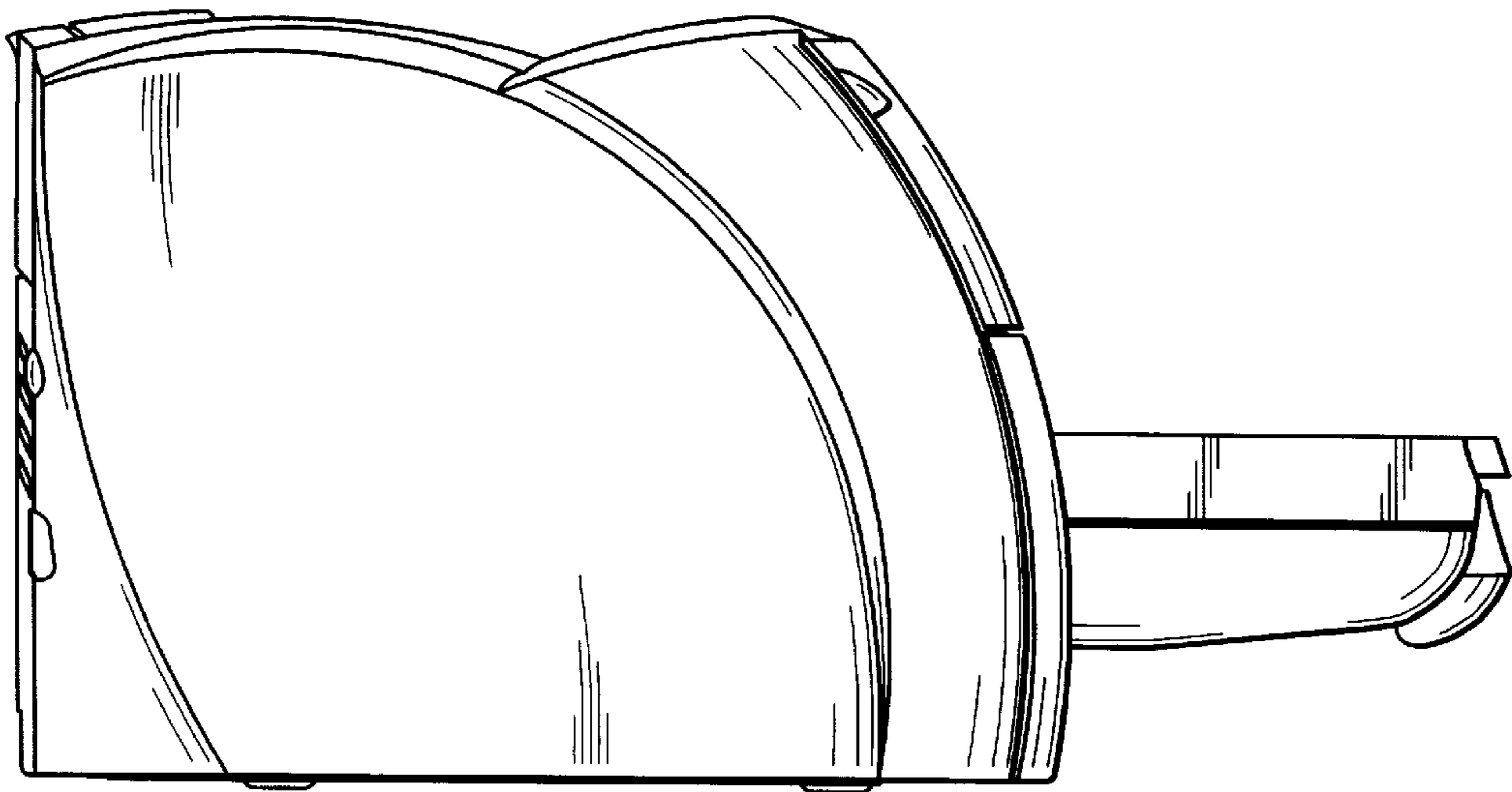


FIG. 6