



US00D450755B1

(12) **United States Design Patent**  
**Gimenez et al.**

(10) **Patent No.:** **US D450,755 S**

(45) **Date of Patent:** **\*\* Nov. 20, 2001**

(54) **PRINTER**

(75) Inventors: **Jordi Gimenez; Lluís Hierro; Angel Moreno**, all of Barcelona; **Santi Vinas**, Girona, all of (ES); **Shahane Dhananjay Purushottam**, Singapore (SG)

(73) Assignee: **Hewlett-Packard Company**, Palo Alto, CA (US)

(\*\*) Term: **14 Years**

(21) Appl. No.: **29/136,644**

(22) Filed: **Feb. 5, 2001**

(30) **Foreign Application Priority Data**

Aug. 17, 2000 (ES) ..... 149224

(51) **LOC (7) Cl.** ..... **18-02**

(52) **U.S. Cl.** ..... **D18/53**

(58) **Field of Search** ..... D18/53, 55, 50,  
D18/54, 36, 39; D10/63; 346/136, 145;  
393/103

(56) **References Cited**

**U.S. PATENT DOCUMENTS**

- D. 340,066 \* 10/1993 Iwanaga ..... D18/53
- D. 347,239 \* 5/1994 Okamoto et al. .... D18/53
- D. 408,848 4/1999 Flores ..... D18/53
- D. 445,824 \* 7/2001 Yamano et al. .... D18/53

\* cited by examiner

*Primary Examiner*—Melody N. Brown

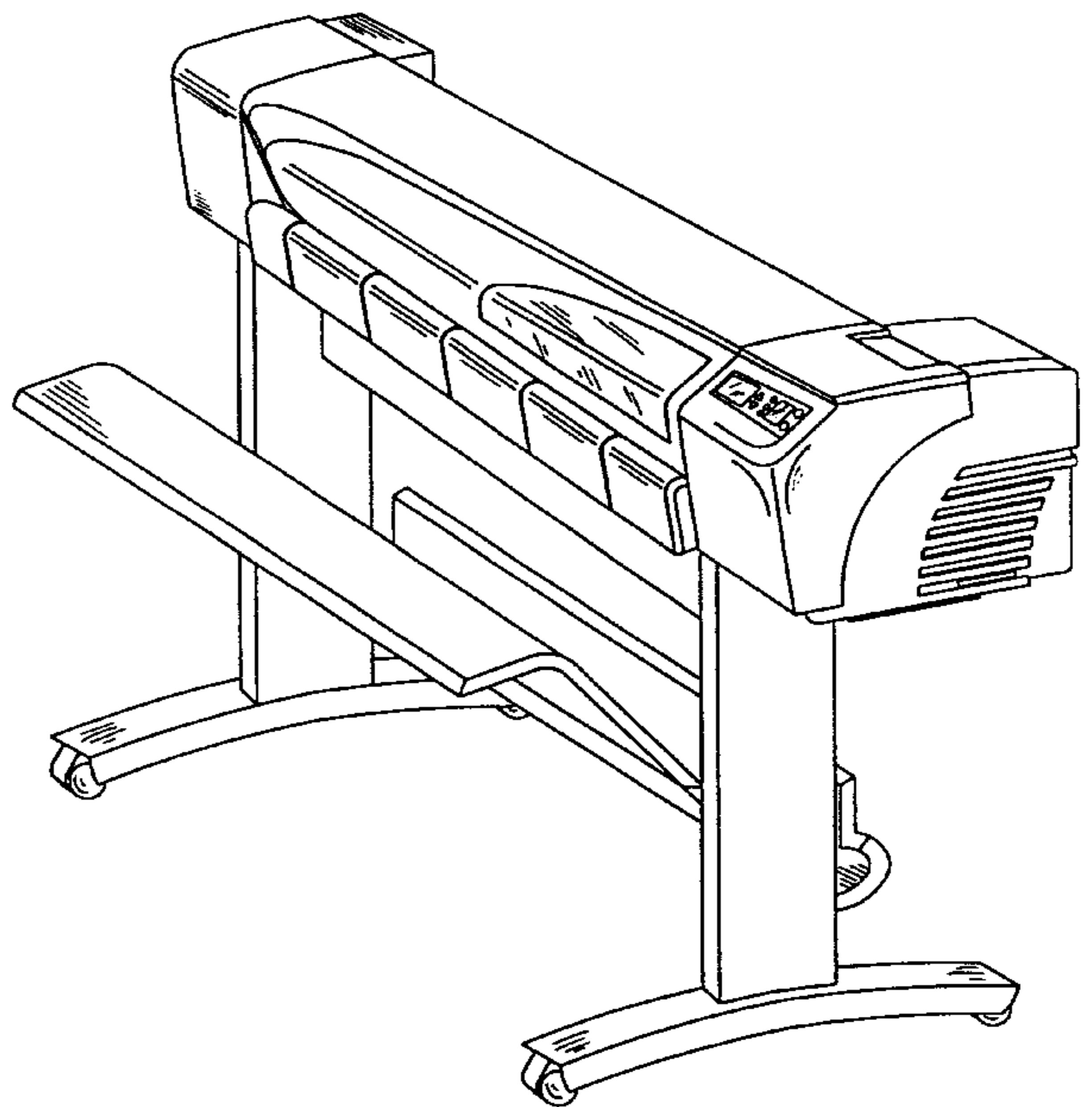
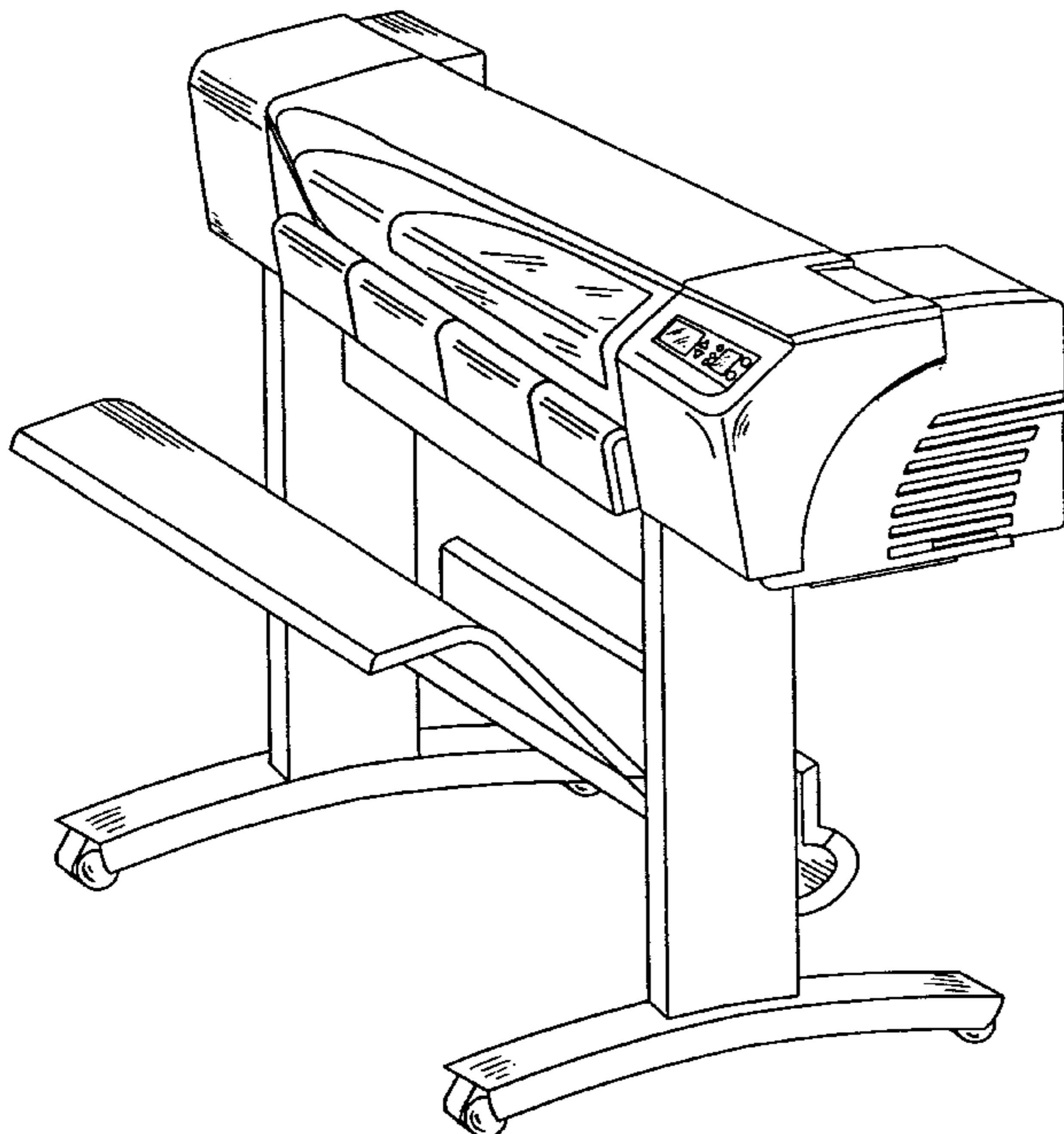
(57) **CLAIM**

The ornamental design for the printer, as shown and described.

**DESCRIPTION**

FIG. 1 is a front view of a printer according to the present invention;  
 FIG. 2 is a side view of the printer of FIG. 1;  
 FIG. 3 is a rear view of the printer of FIG. 1;  
 FIG. 4 is a opposite side view of the printer of FIG. 1;  
 FIG. 5 is a top view of the printer of FIG. 1;  
 FIG. 6 is a bottom view of the printer of FIG. 1;  
 FIG. 7 is a perspective view from the first side of the printer of FIG. 1;  
 FIG. 8 is a perspective view from the opposite side of the printer of FIG. 1;  
 FIG. 9 is a front view of a second embodiment of the printer according to the present invention;  
 FIG. 10 is side view of the printer of FIG. 9;  
 FIG. 11 is a rear view of the printer of FIG. 9;  
 FIG. 12 is a opposite side view of the printer of FIG. 9;  
 FIG. 13 is a top view of the printer of FIG. 9;  
 FIG. 14 is a bottom view of the printer of FIG. 9;  
 FIG. 15 is a perspective view from the first side of the printer of FIG. 9; and,  
 FIG. 16 is a perspective view from the opposite side of the printer of FIG. 9.

**1 Claim, 16 Drawing Sheets**



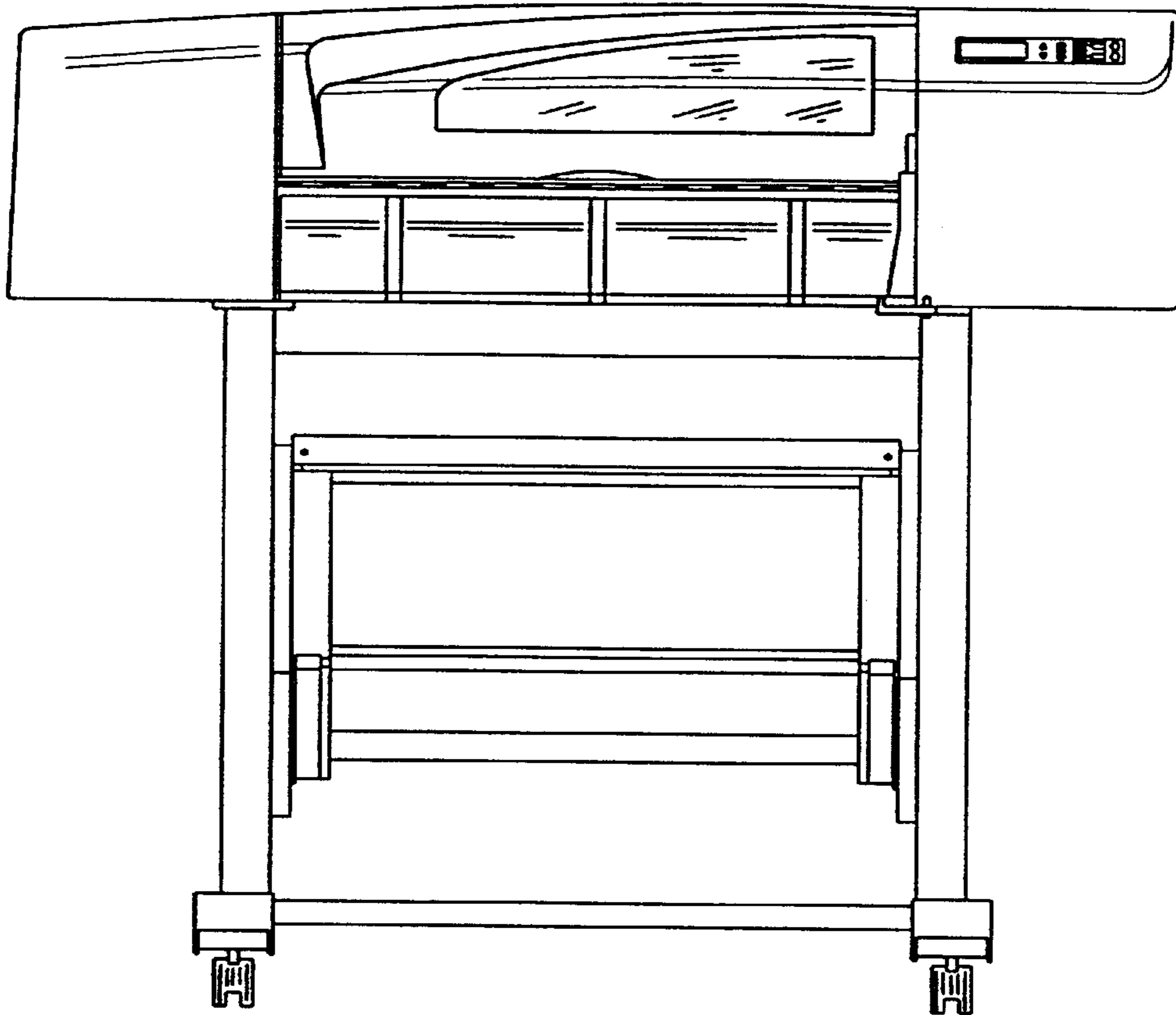


Fig. 1

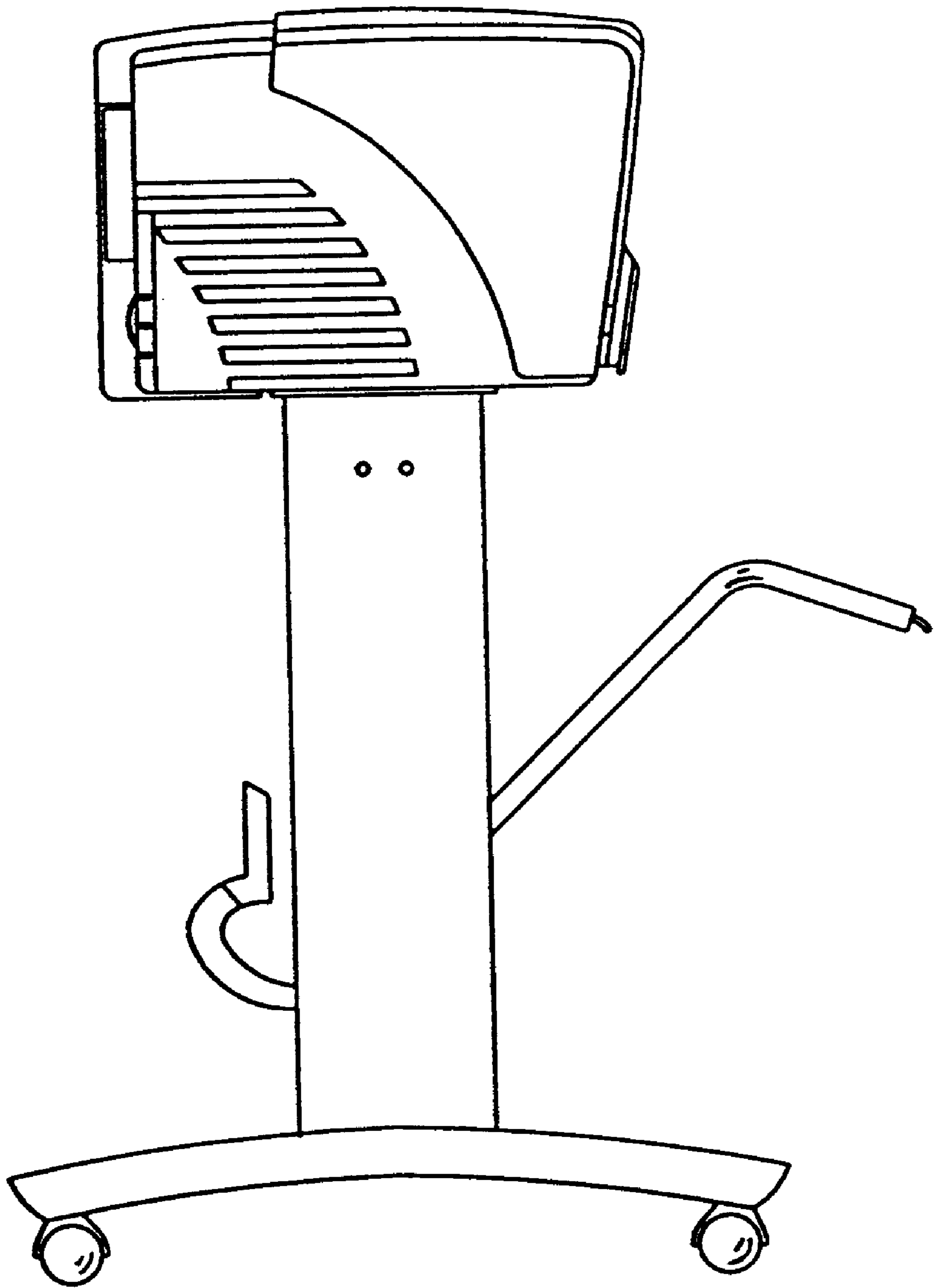


Fig. 2

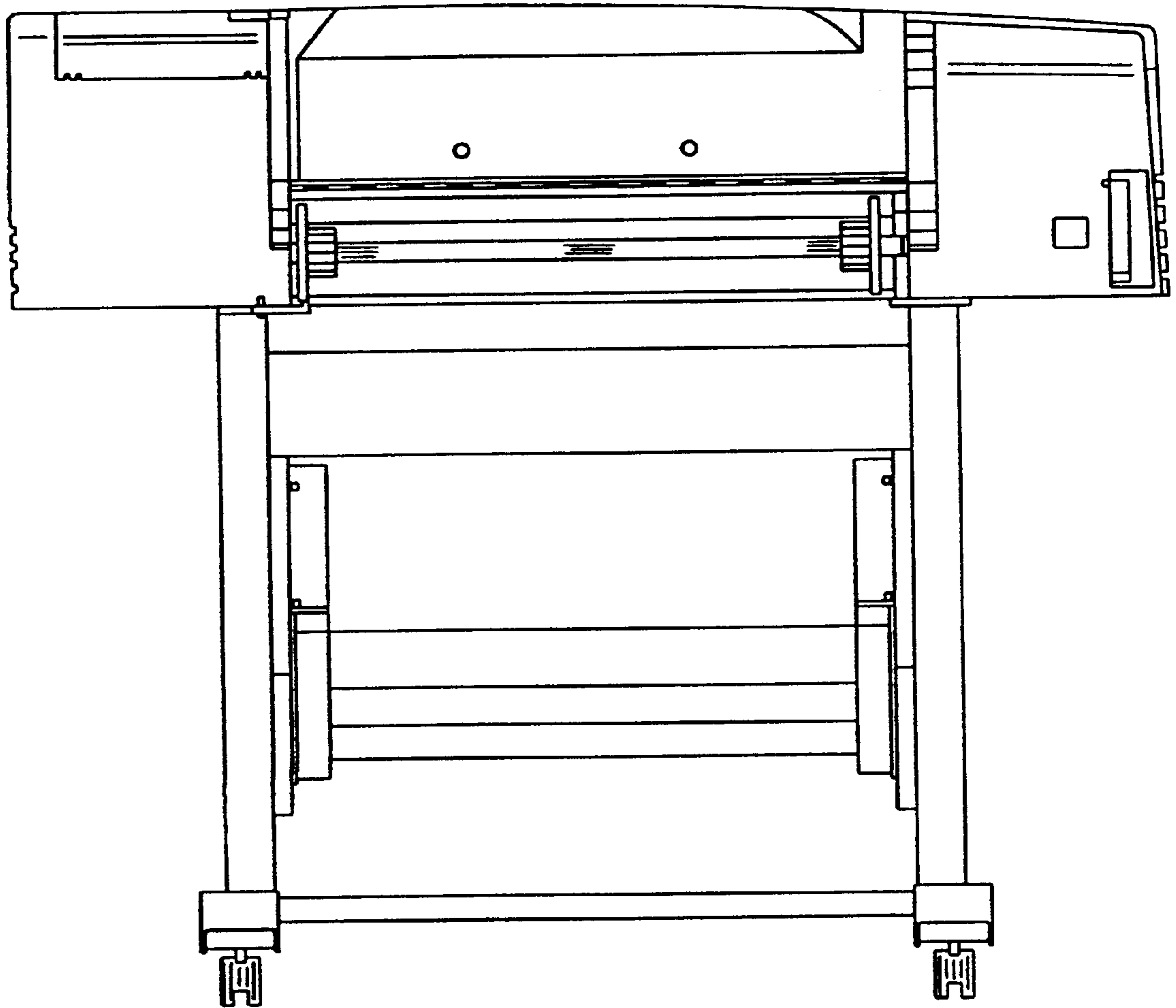


Fig. 3

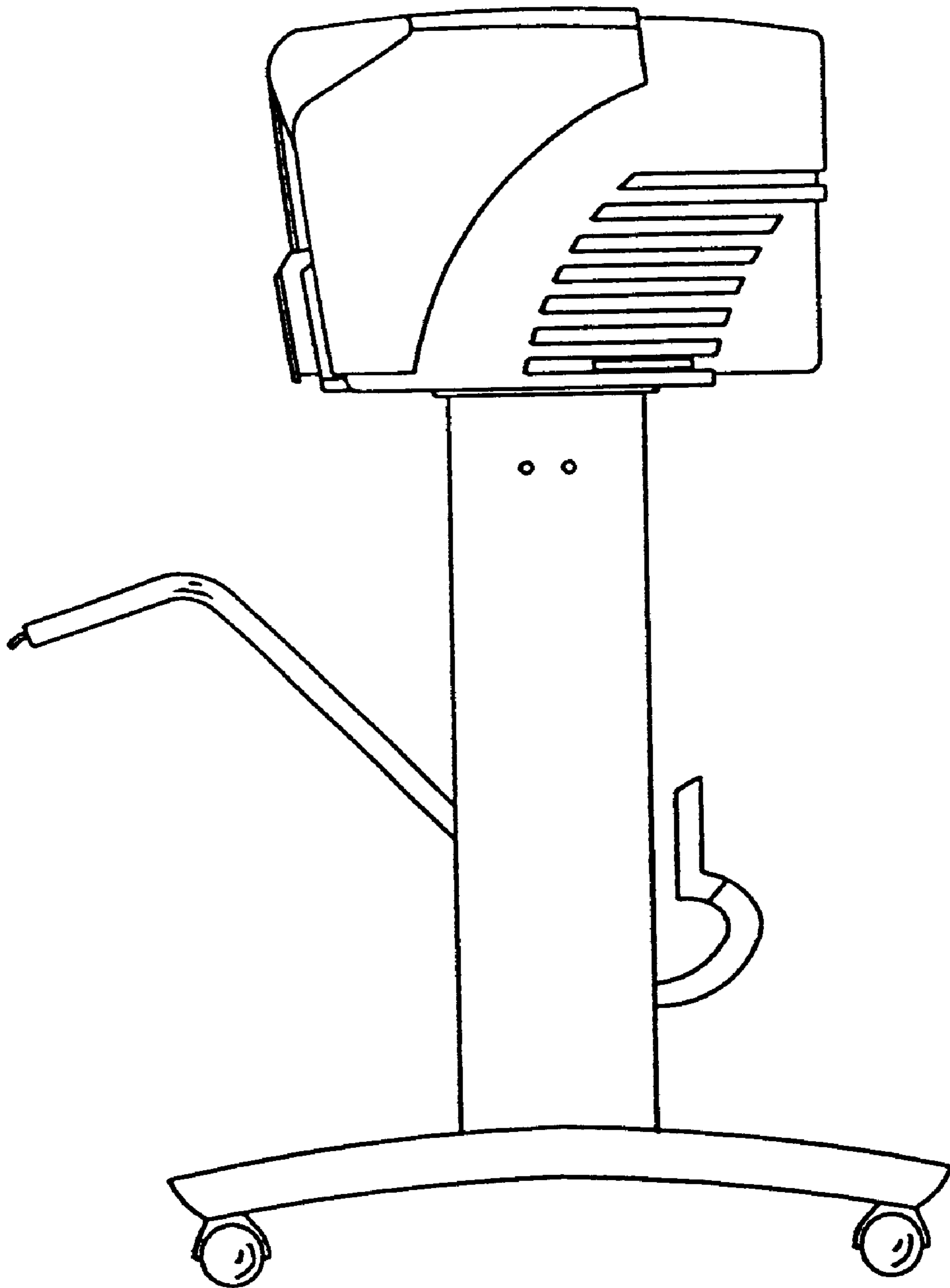


Fig. 4

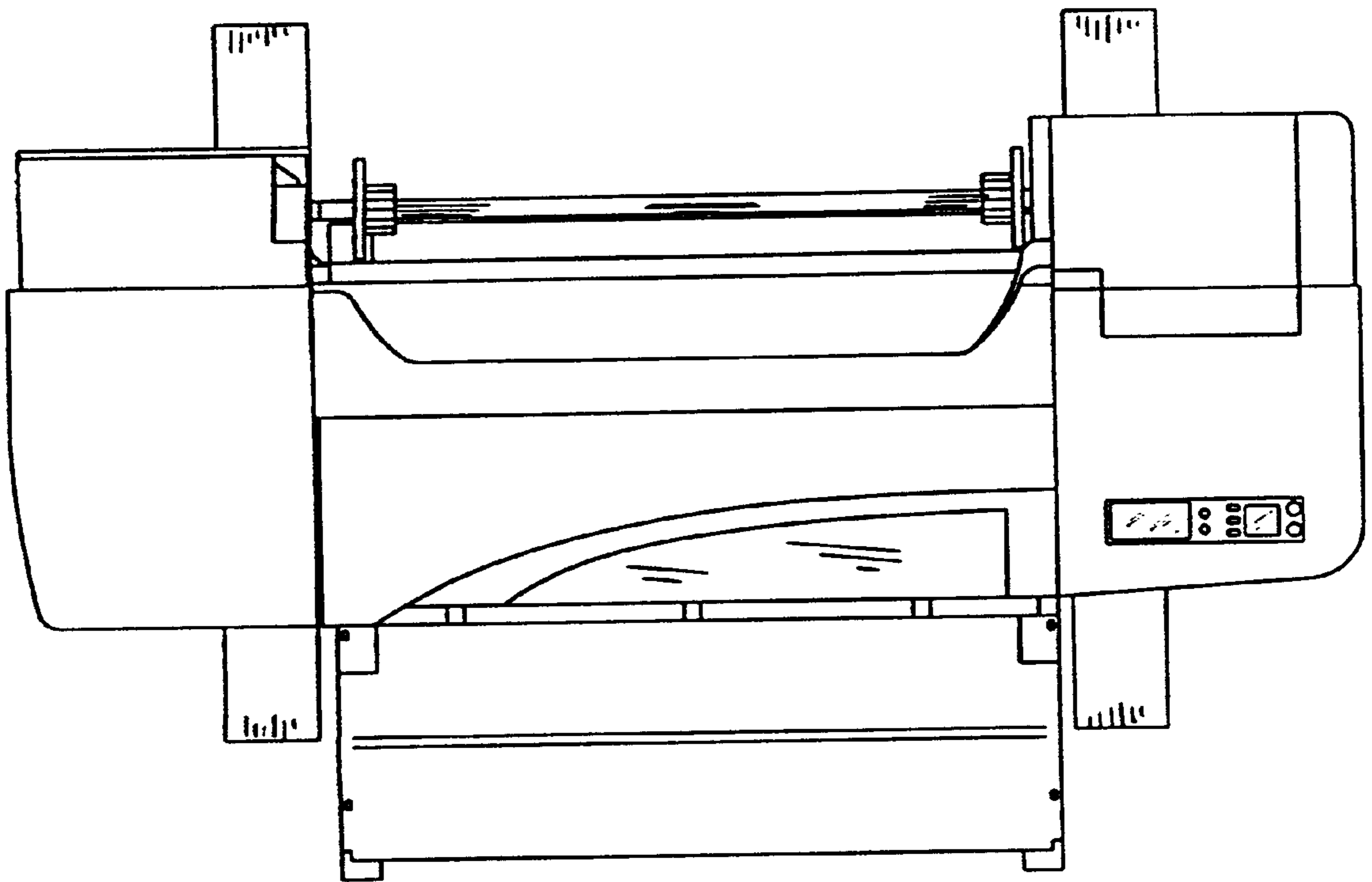


Fig. 5

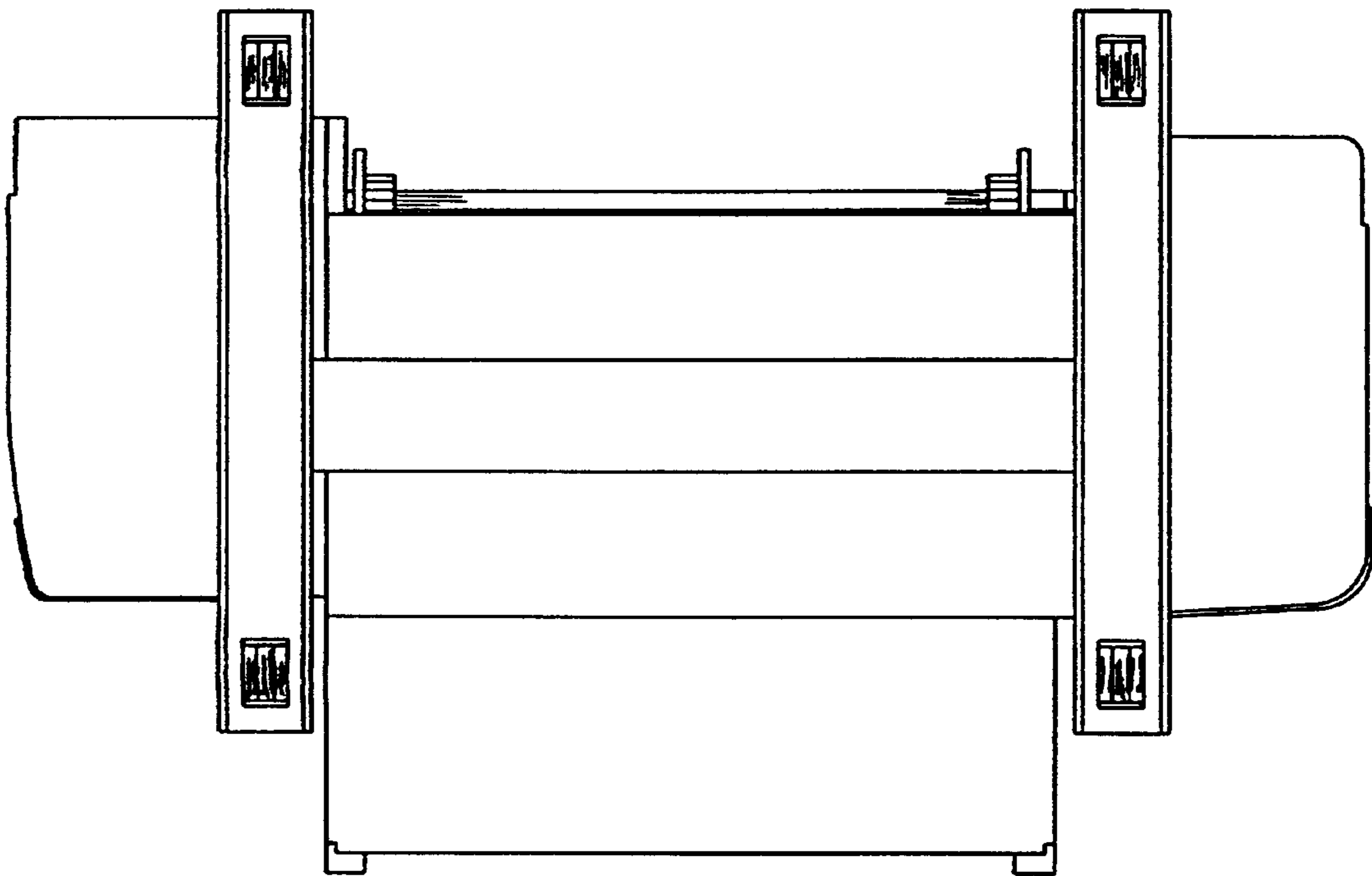


Fig. 6

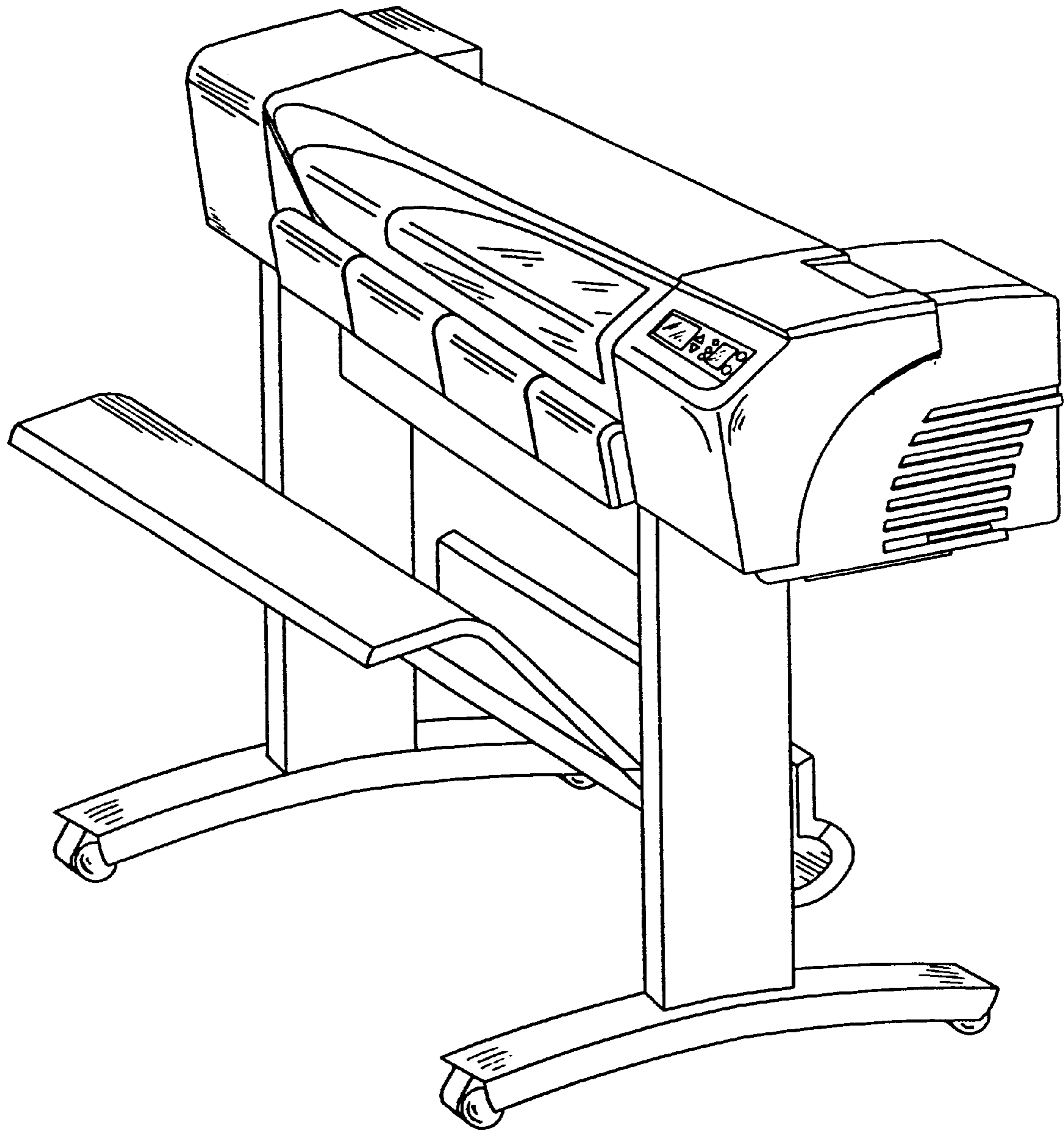


Fig. 7



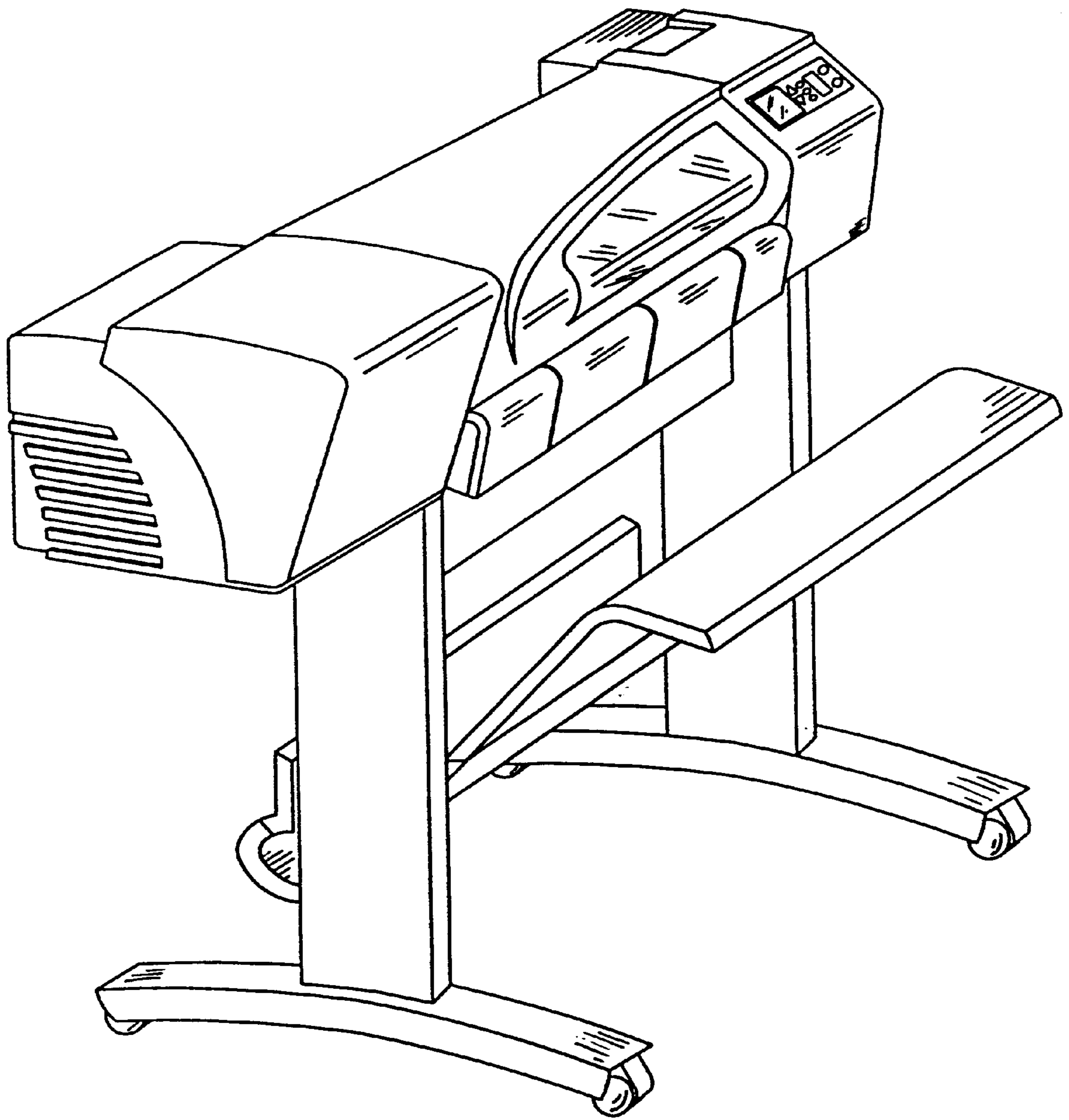


Fig. 8

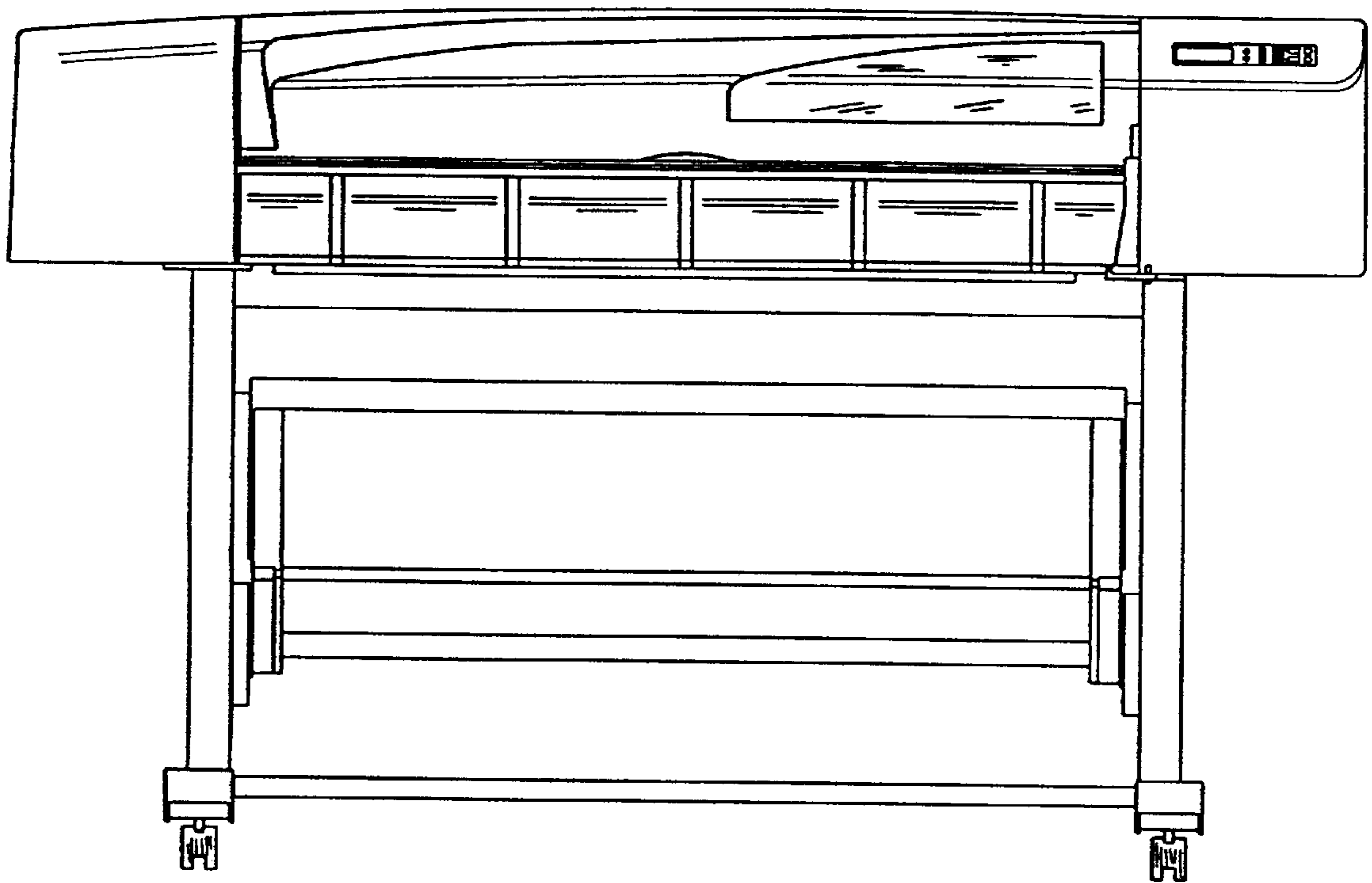


Fig. 9

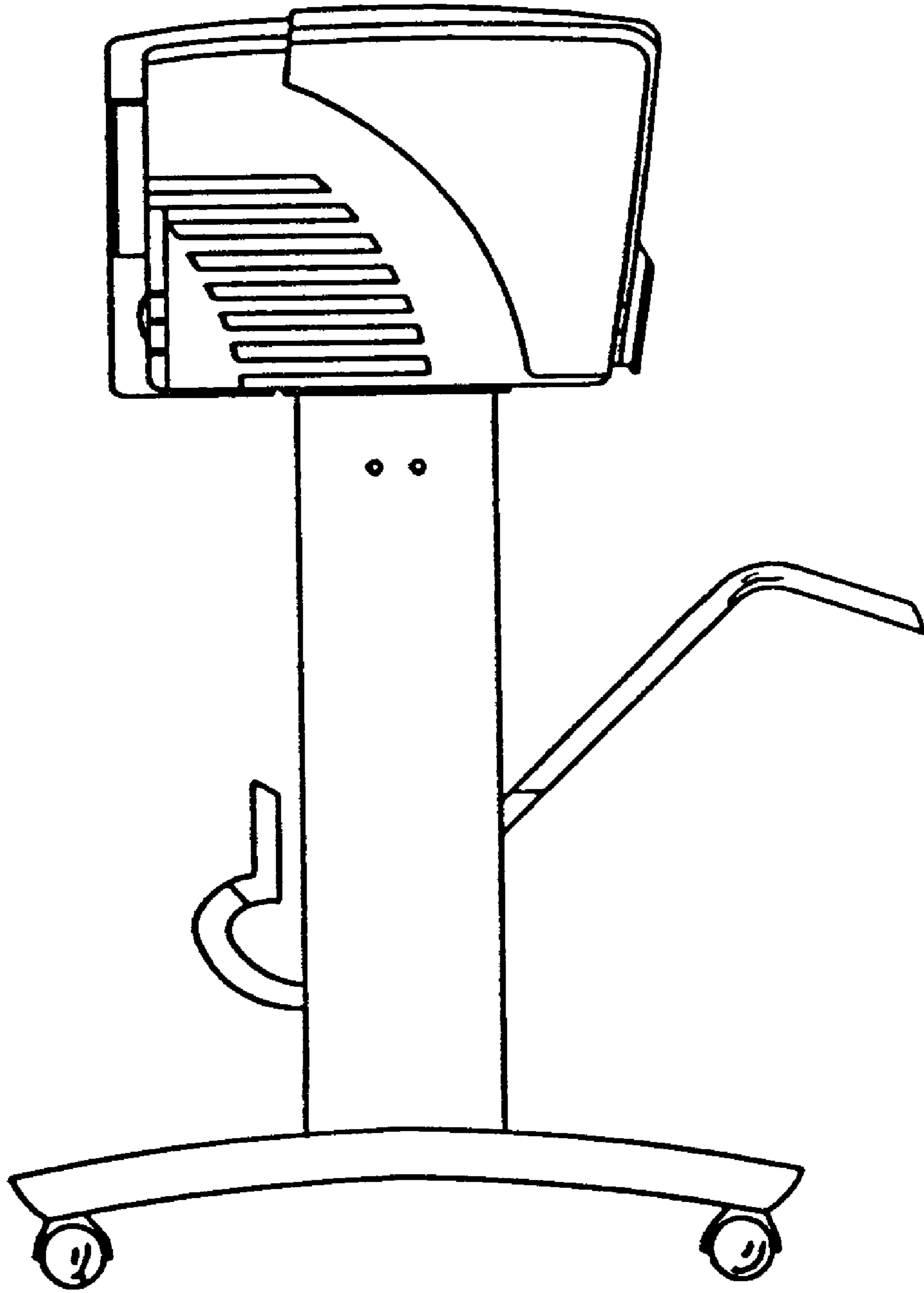


Fig. 10

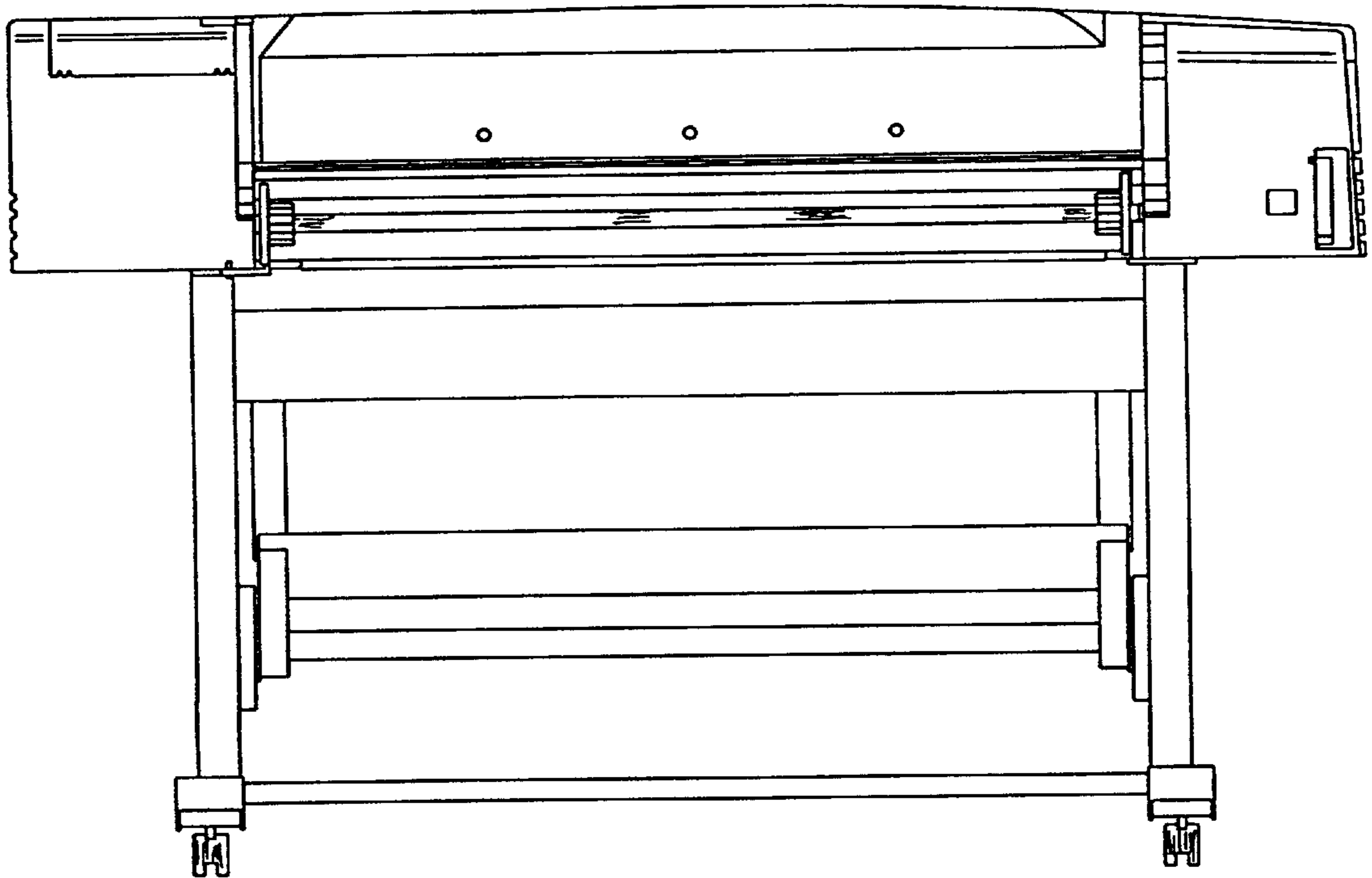


Fig. 11

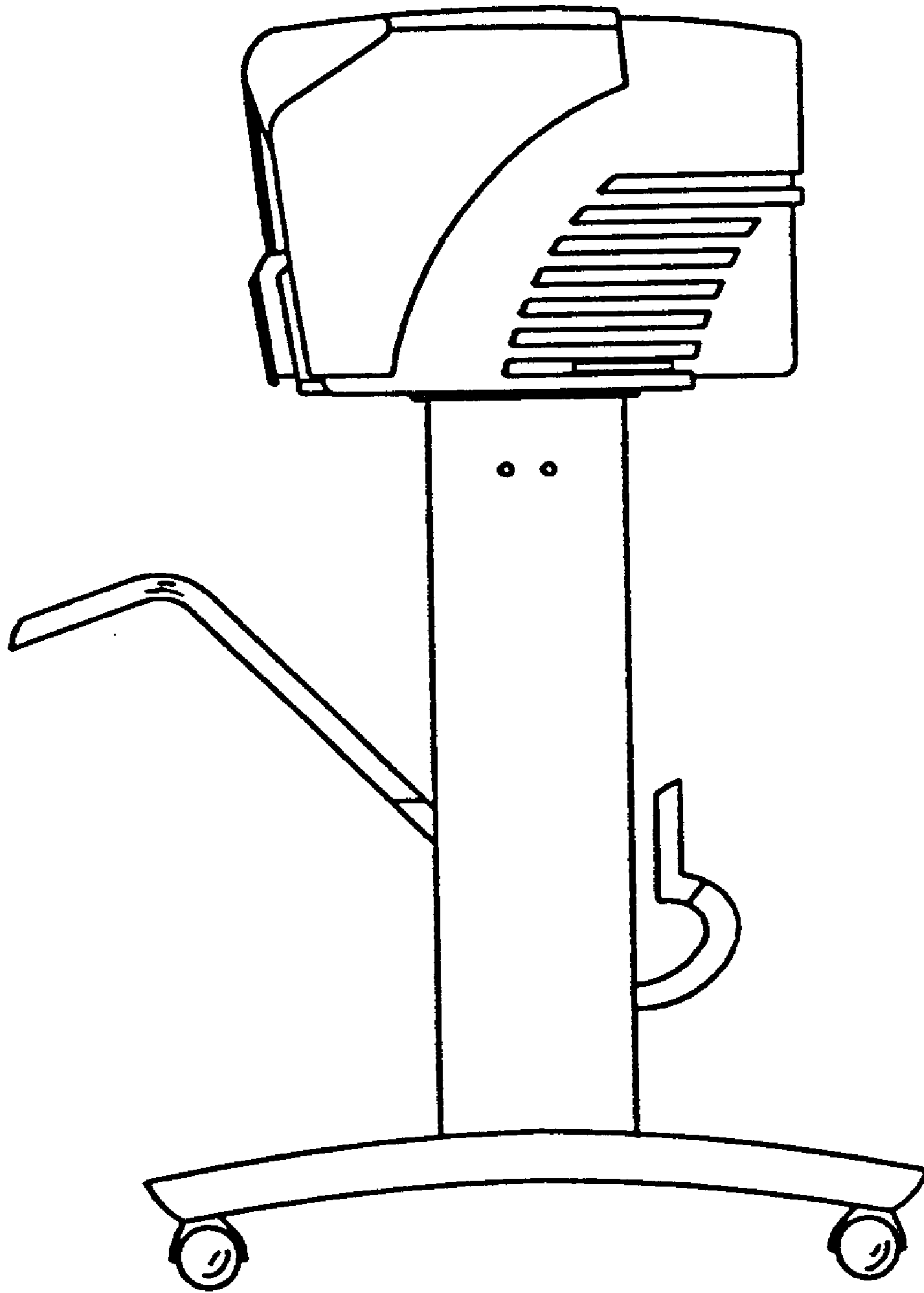


Fig. 12

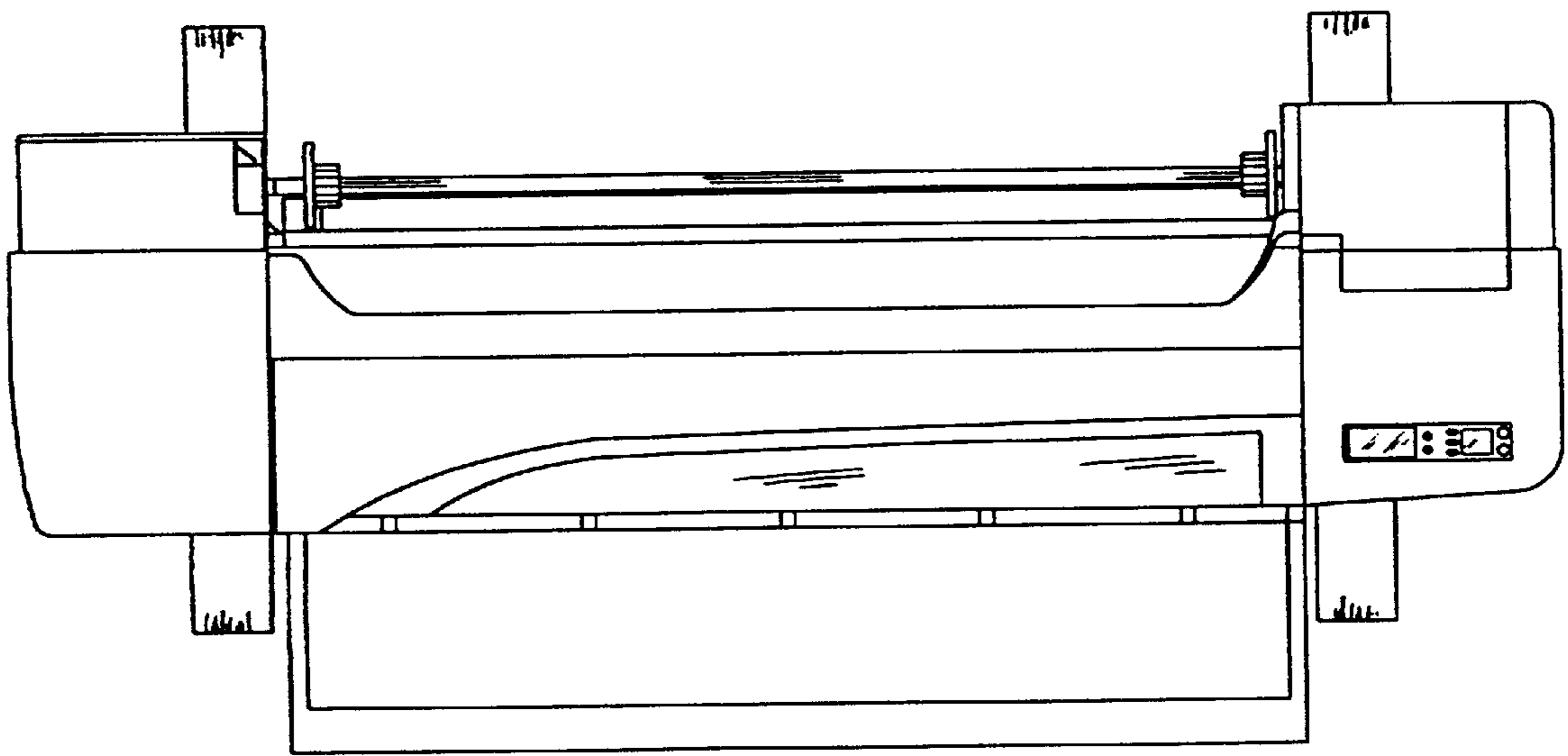


Fig. 13

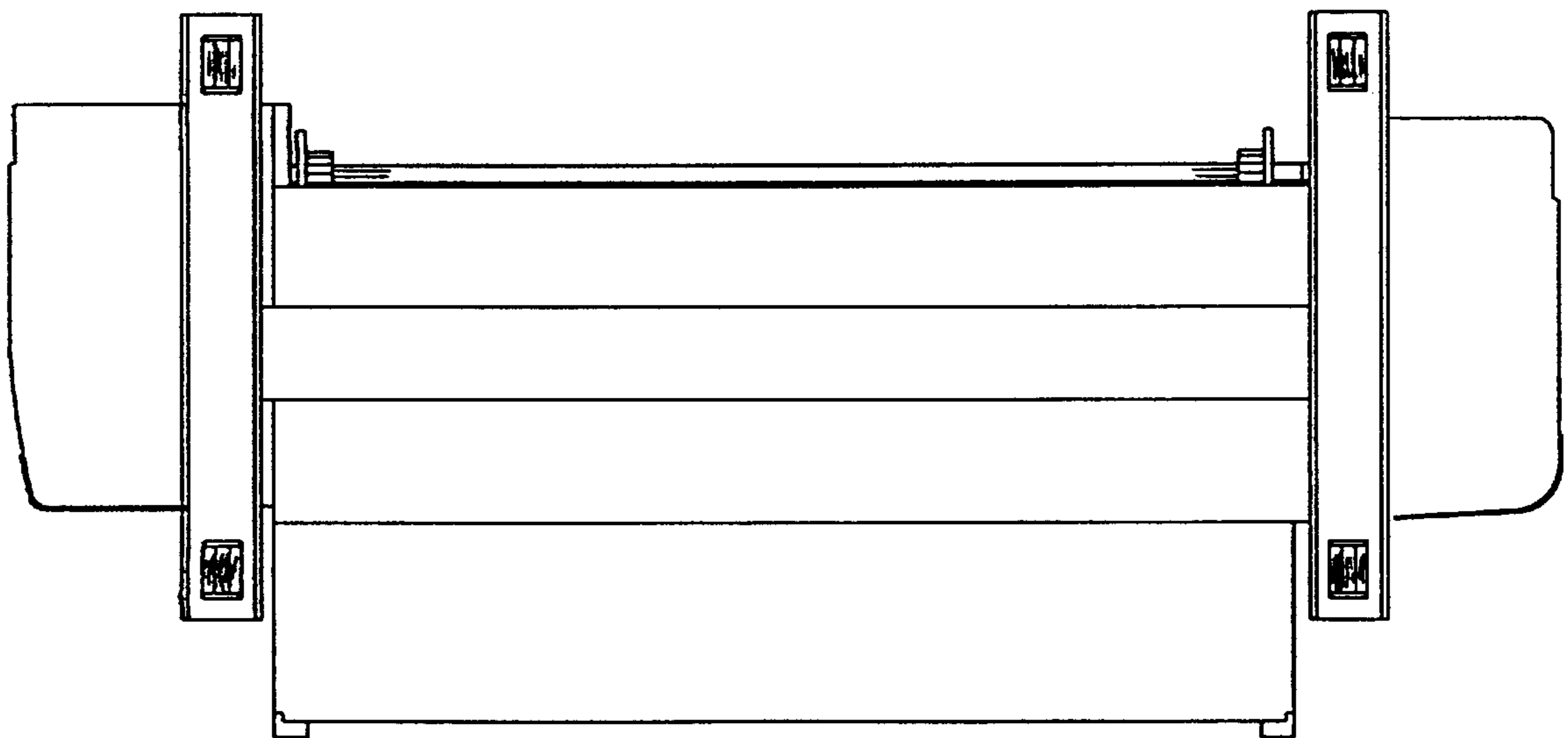


Fig. 14

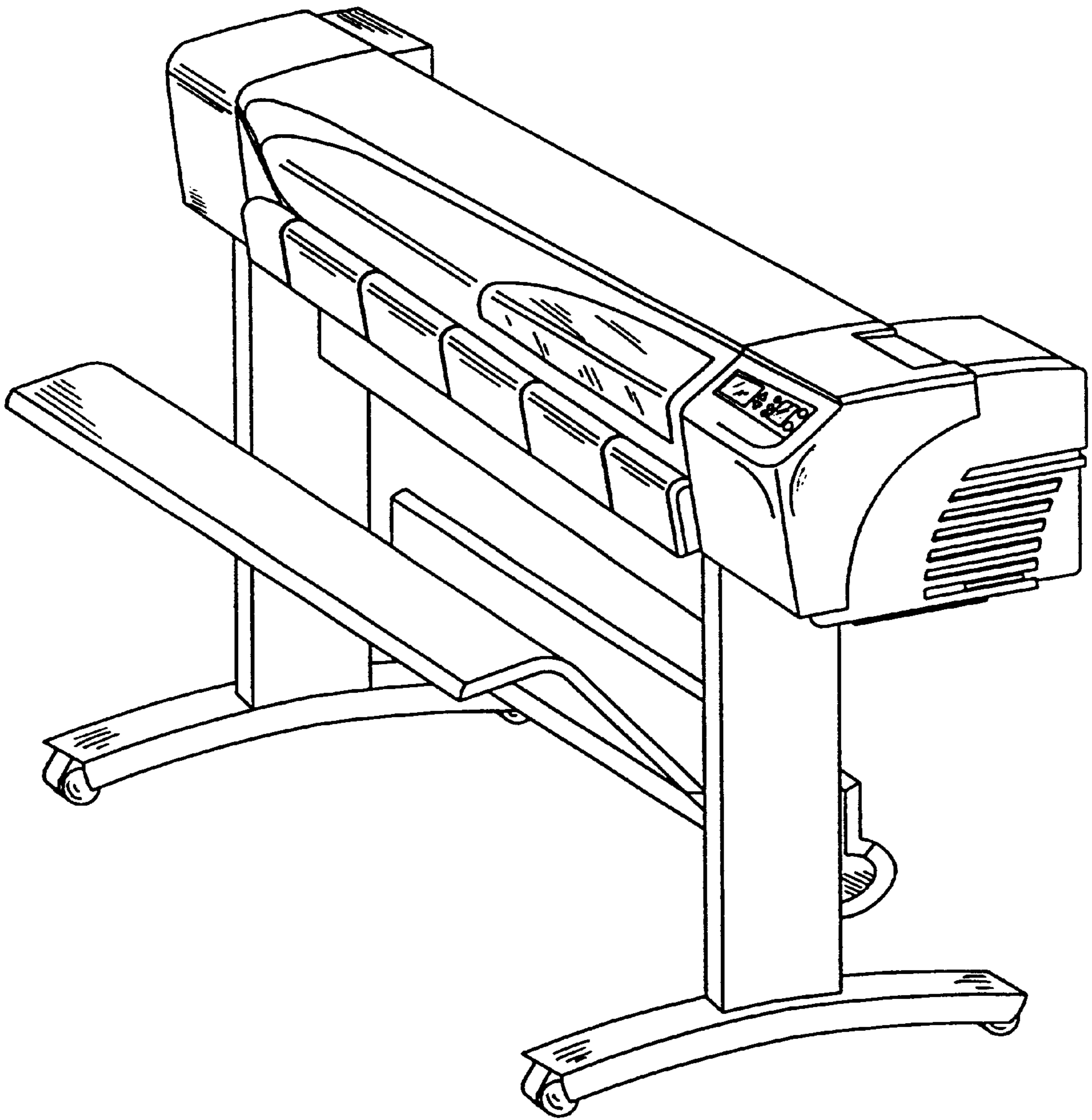


Fig. 15



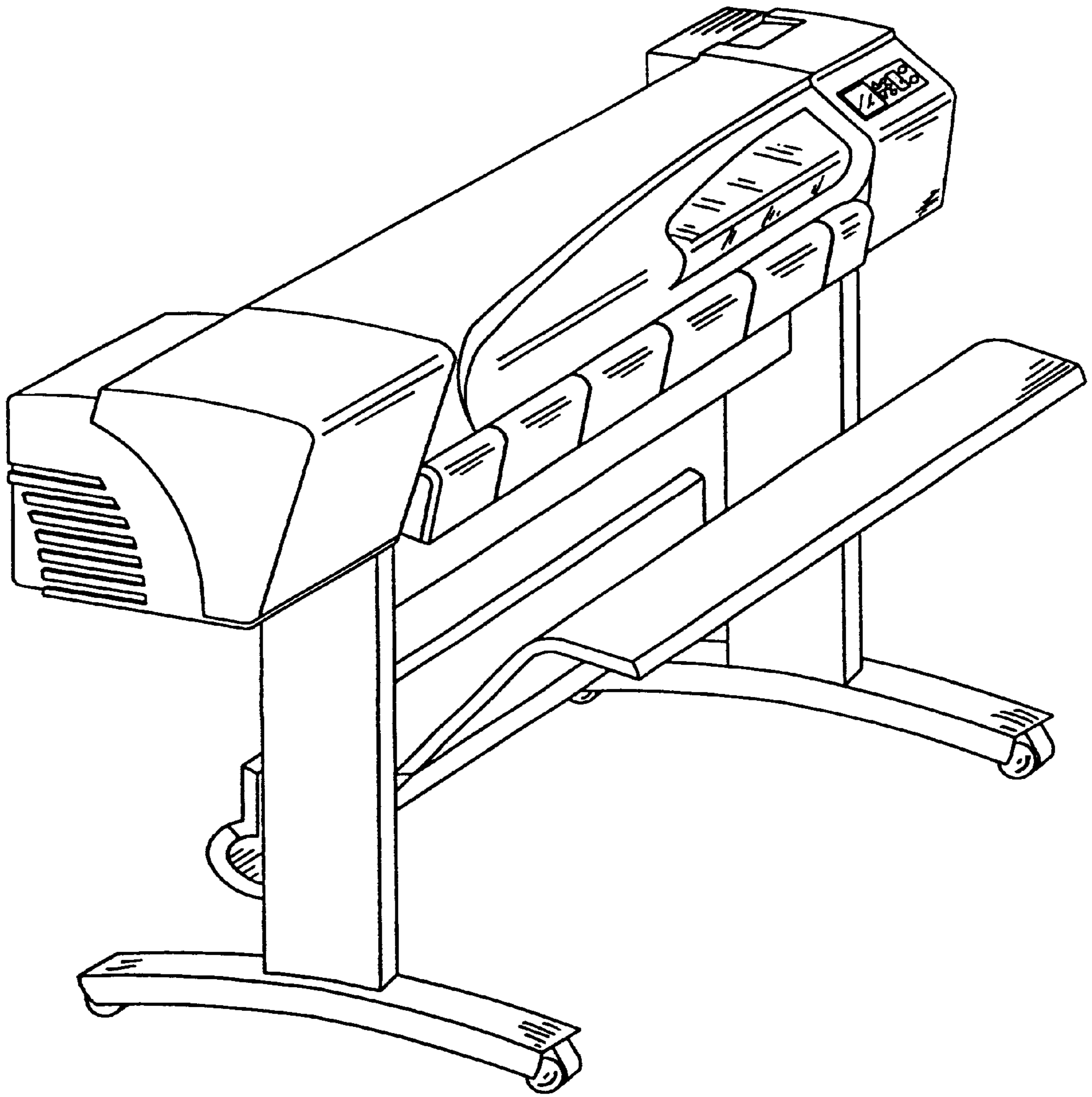


Fig. 16