



US00D450752B1

(12) **United States Design Patent**
Ito et al.

(10) **Patent No.:** **US D450,752 S**

(45) **Date of Patent:** **** Nov. 20, 2001**

(54) **TONER CARTRIDGE**

(75) Inventors: **Junichi Ito; Sinichi Otani; Atsushi Kobayashi; Yoshiharu Momiyama; Shigeki Nakajima**, all of Tokyo (JP)

(73) Assignee: **Oki Data Corporation**, Tokyo (JP)

(**) Term: **14 Years**

(21) Appl. No.: **29/126,989**

(22) Filed: **Jul. 28, 2000**

(51) **LOC (7) Cl.** **16-03**

(52) **U.S. Cl.** **D18/43**

(58) **Field of Search** D18/36, 40, 43,
D18/56; 399/24-27, 31, 119-123, 130,
134, 262; 222/DIG. 1

(56) **References Cited**

U.S. PATENT DOCUMENTS

D. 418,156 * 12/1999 Maeda D18/43

D. 422,304 * 4/2000 Suzuki et al. D18/43
D. 422,623 * 4/2000 Fukuoka D18/12

* cited by examiner

Primary Examiner—Caron D. Veynar

(74) *Attorney, Agent, or Firm*—Ladas and Parry

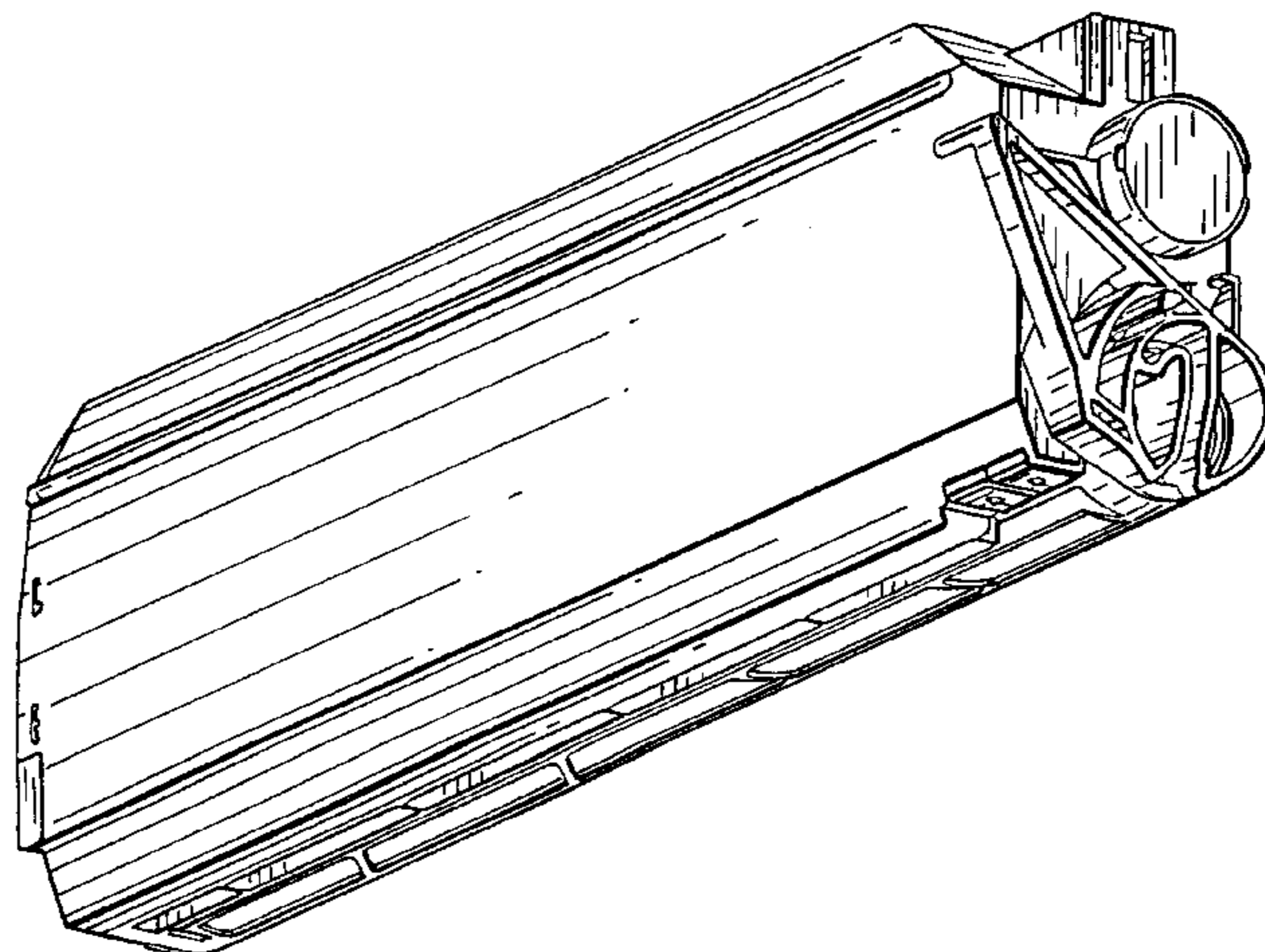
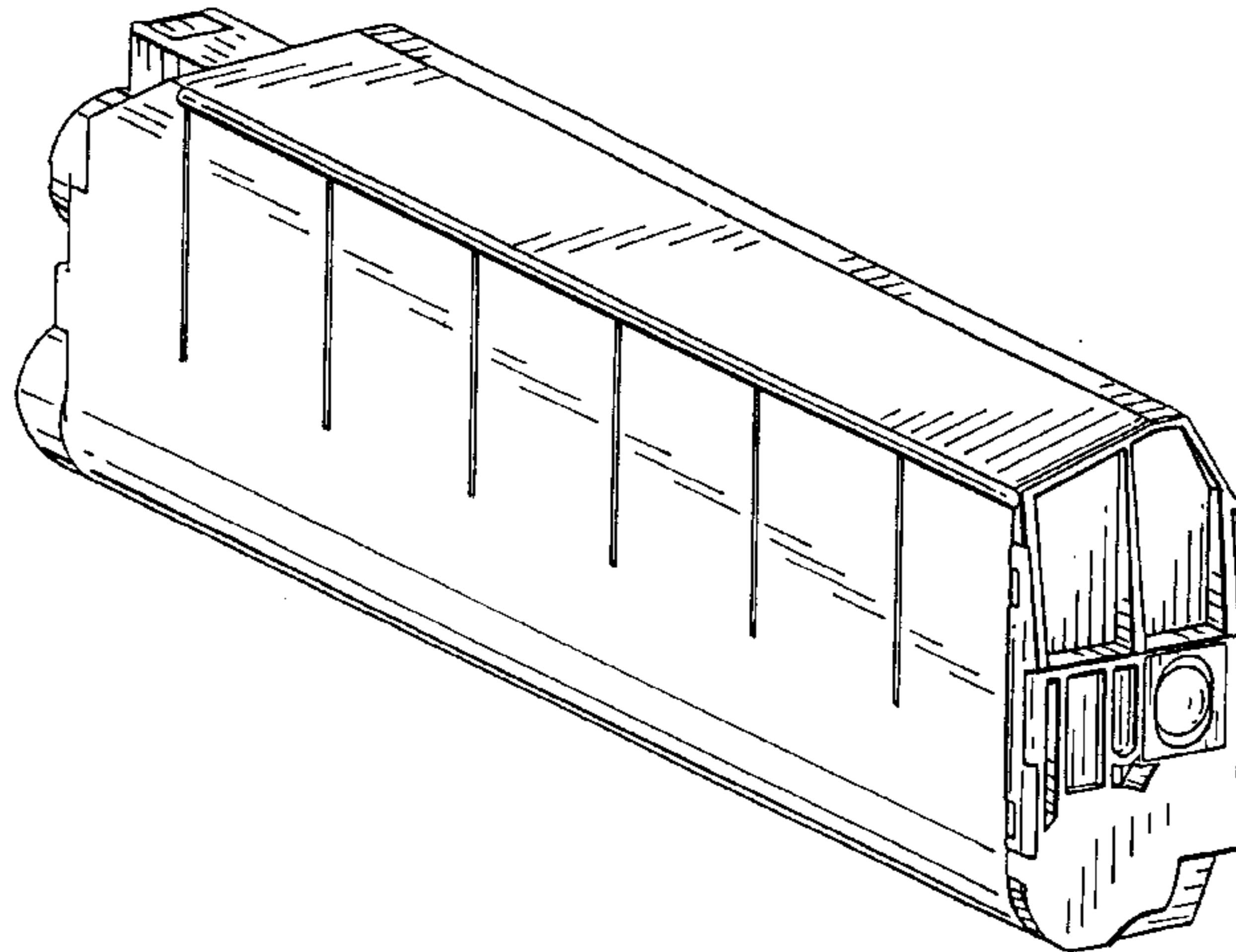
(57) **CLAIM**

The ornamental design for a toner cartridge, as shown.

DESCRIPTION

FIG. 1 is a front view of the toner cartridge;
FIG. 2 is a rear view of FIG. 1;
FIG. 3 is a top view of FIG. 1;
FIG. 4 is a bottom view of FIG. 1;
FIG. 5 is a right side view of FIG. 1;
FIG. 6 is a left side view of FIG. 1;
FIG. 7 is a perspective view from the front; and,
FIG. 8 is a perspective view from the rear.

1 Claim, 3 Drawing Sheets



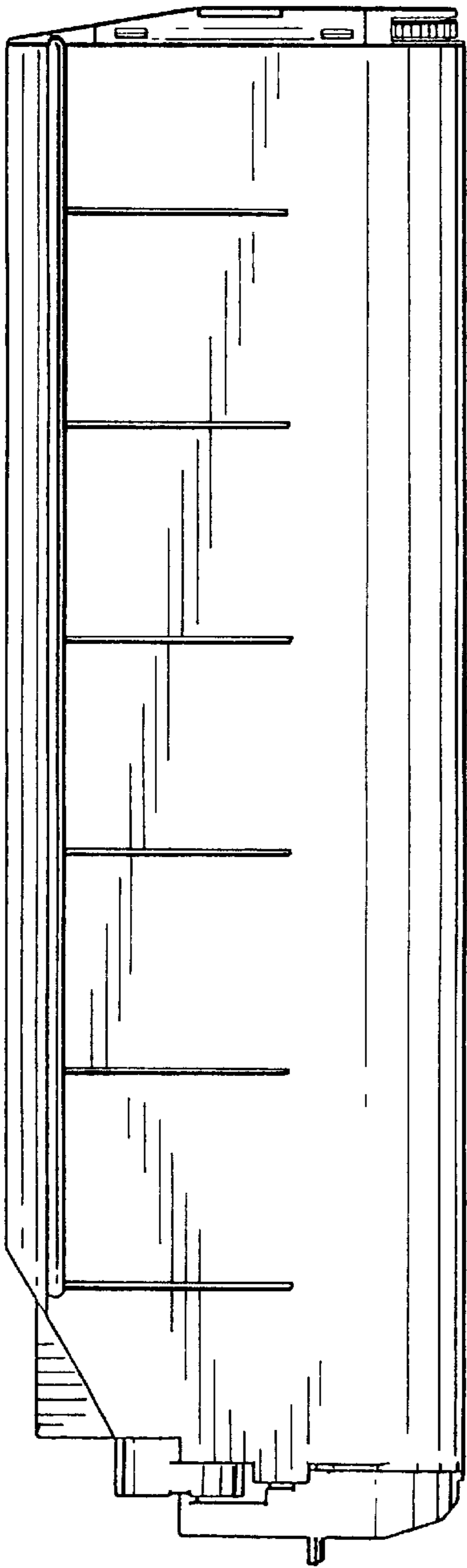


FIG. 1

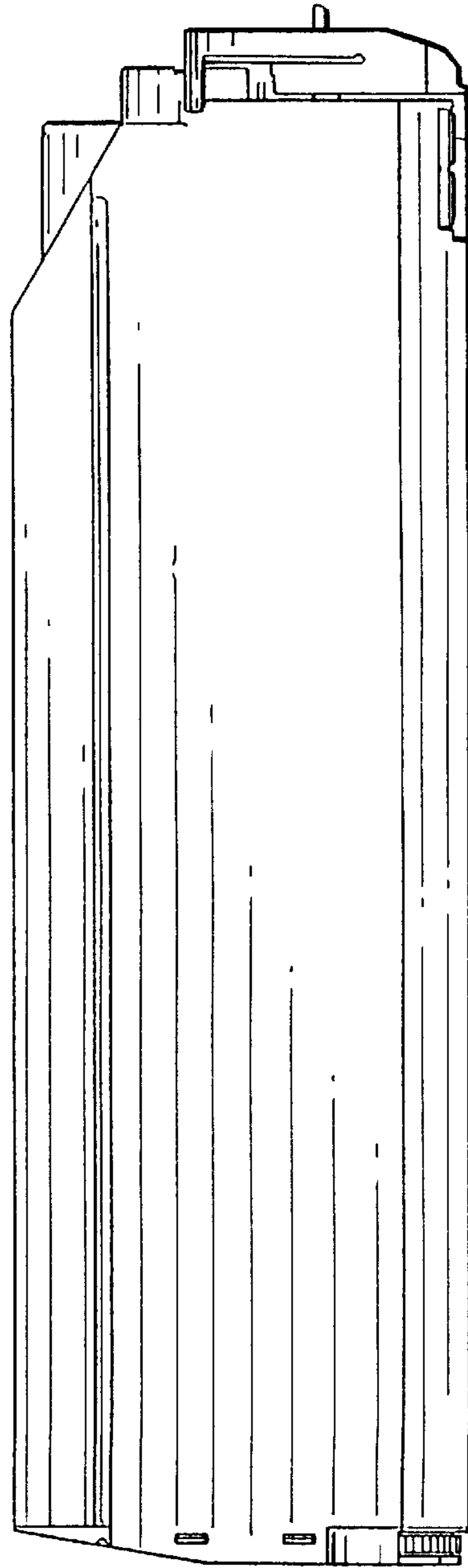


FIG. 2

FIG. 3

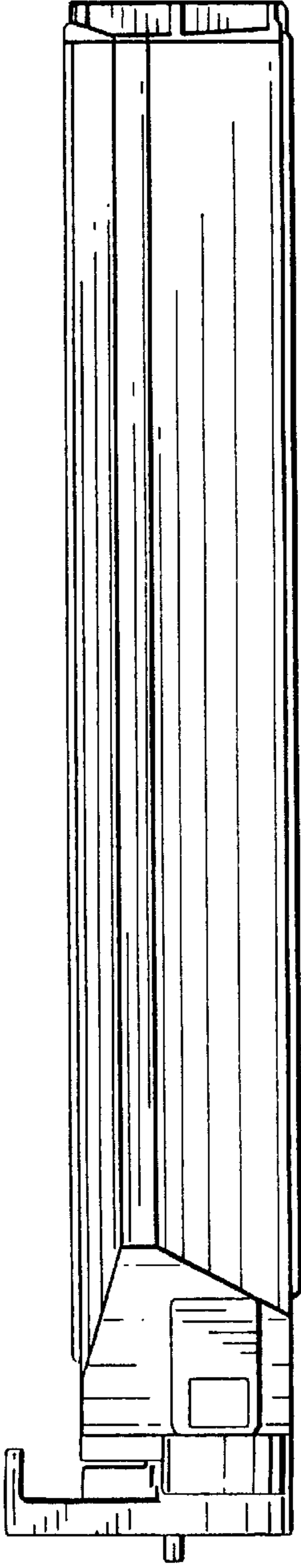


FIG. 4

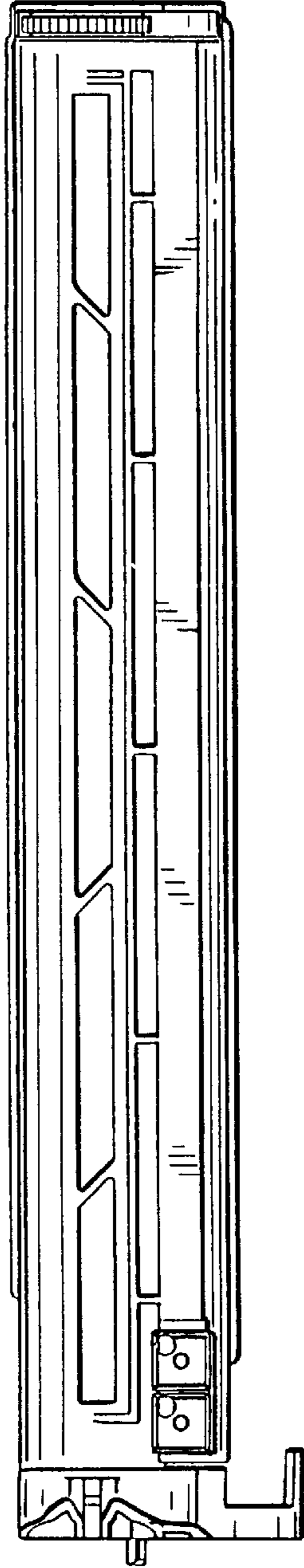


FIG. 6

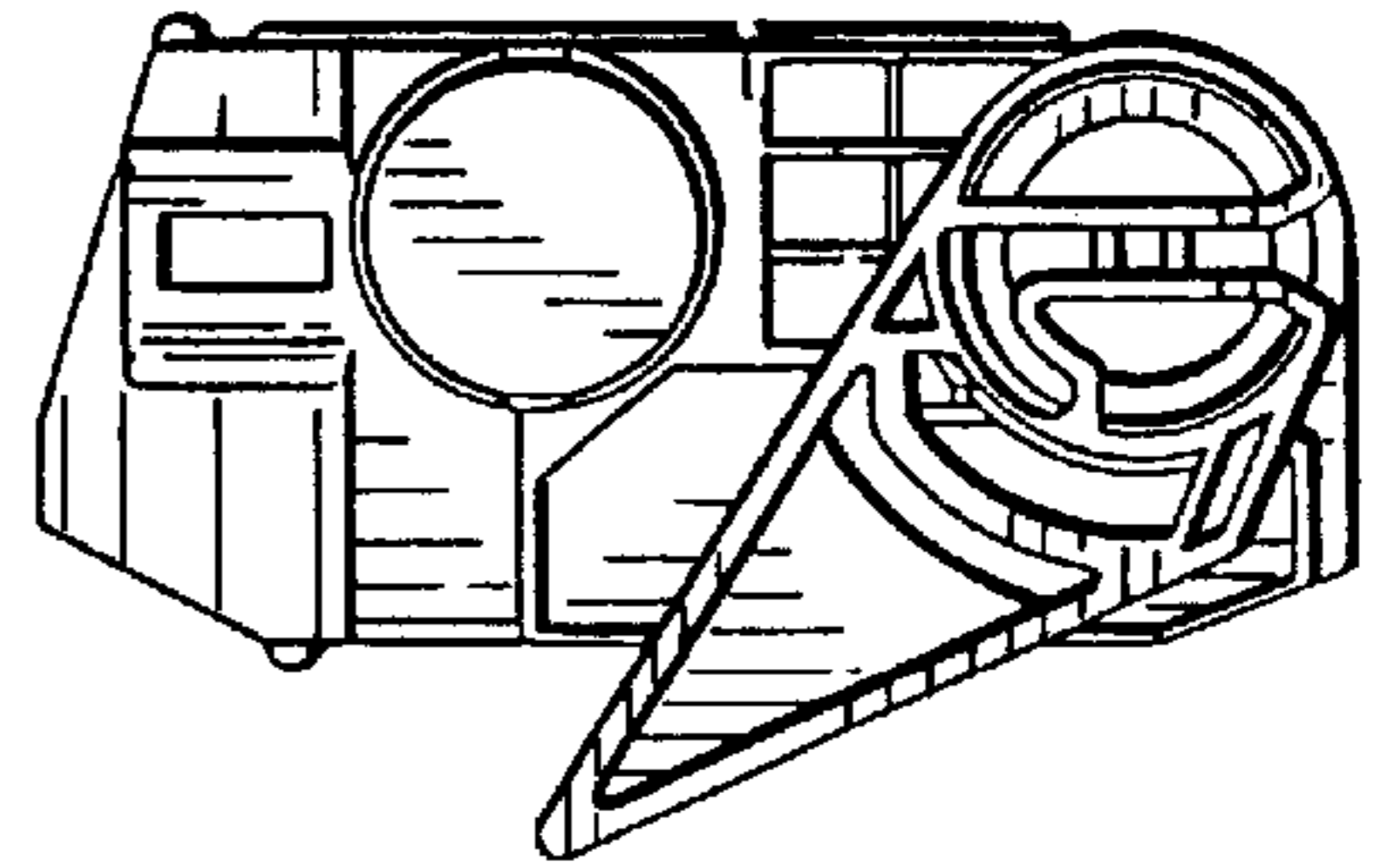
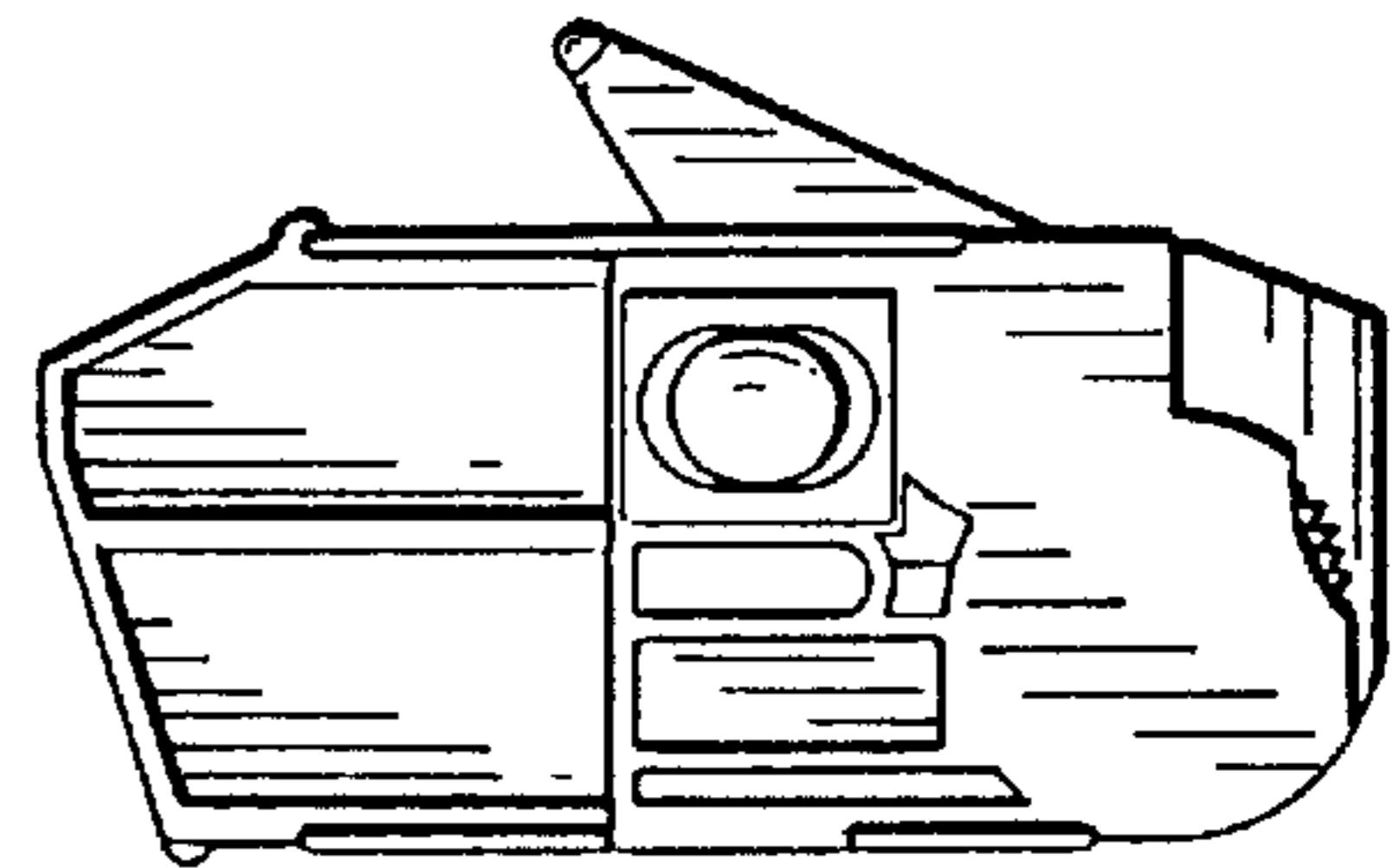


FIG. 5



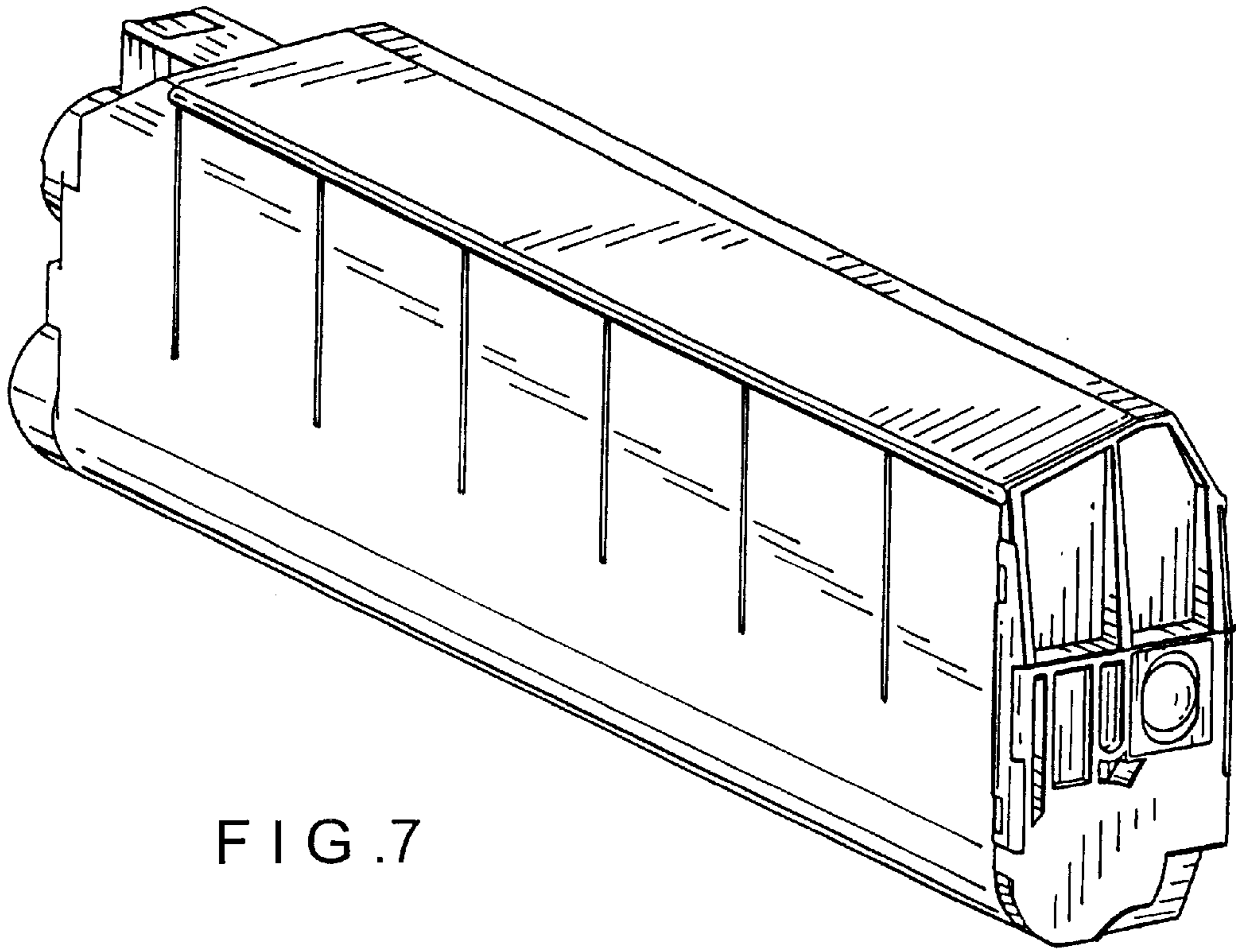


FIG. 7

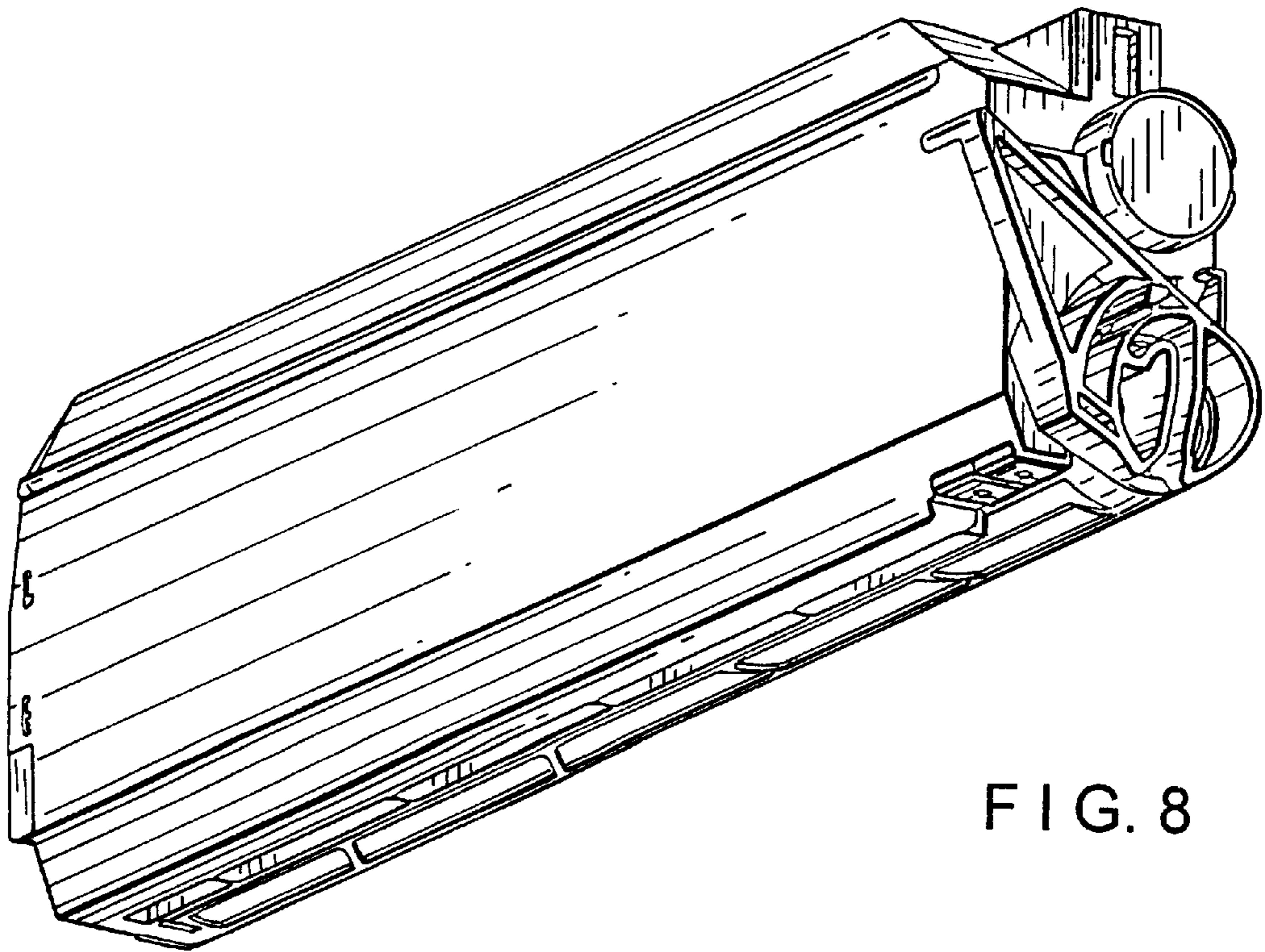


FIG. 8