



US00D450743B1

(12) **United States Design Patent**
Heinz

(10) **Patent No.:** **US D450,743 S**

(45) **Date of Patent:** **** Nov. 20, 2001**

(54) **PROGRESS INDICATOR AND PLATE SUPPORT FOR A PLATESETTER**

5,006,884	*	4/1991	Kazuhito et al.	355/27
5,006,887	*	4/1991	Ogura	355/72
5,751,402	*	5/1998	Nakamura et al.	355/47
6,278,511	*	8/2001	Krupica et al.	355/28

(75) Inventor: **Roy D. Heinz**, Waltham, MA (US)

(73) Assignee: **Agfa Corporation**, Wilmington, MA (US)

(**) Term: **14 Years**

(21) Appl. No.: **29/123,273**

(22) Filed: **May 15, 2000**

(51) **LOC (7) Cl.** **16-04**

(52) **U.S. Cl.** **D16/250; D18/49**

(58) **Field of Search** D16/246-250;
D18/40, 49, 50; 347/262, 264; 355/27,
28, 47, 72; 396/644, 654

(56) **References Cited**

U.S. PATENT DOCUMENTS

D. 290,998	*	7/1987	Gemmill	D18/50
D. 357,273	*	4/1995	Hocking	D18/49
D. 373,779	*	9/1996	Takahashi et al.	D16/246

* cited by examiner

Primary Examiner—Adir Aronovich

(74) *Attorney, Agent, or Firm*—Robert A. Sabourin

(57) **CLAIM**

The ornamental design for a progress indicator and plate support for a platesetter, as shown and described.

DESCRIPTION

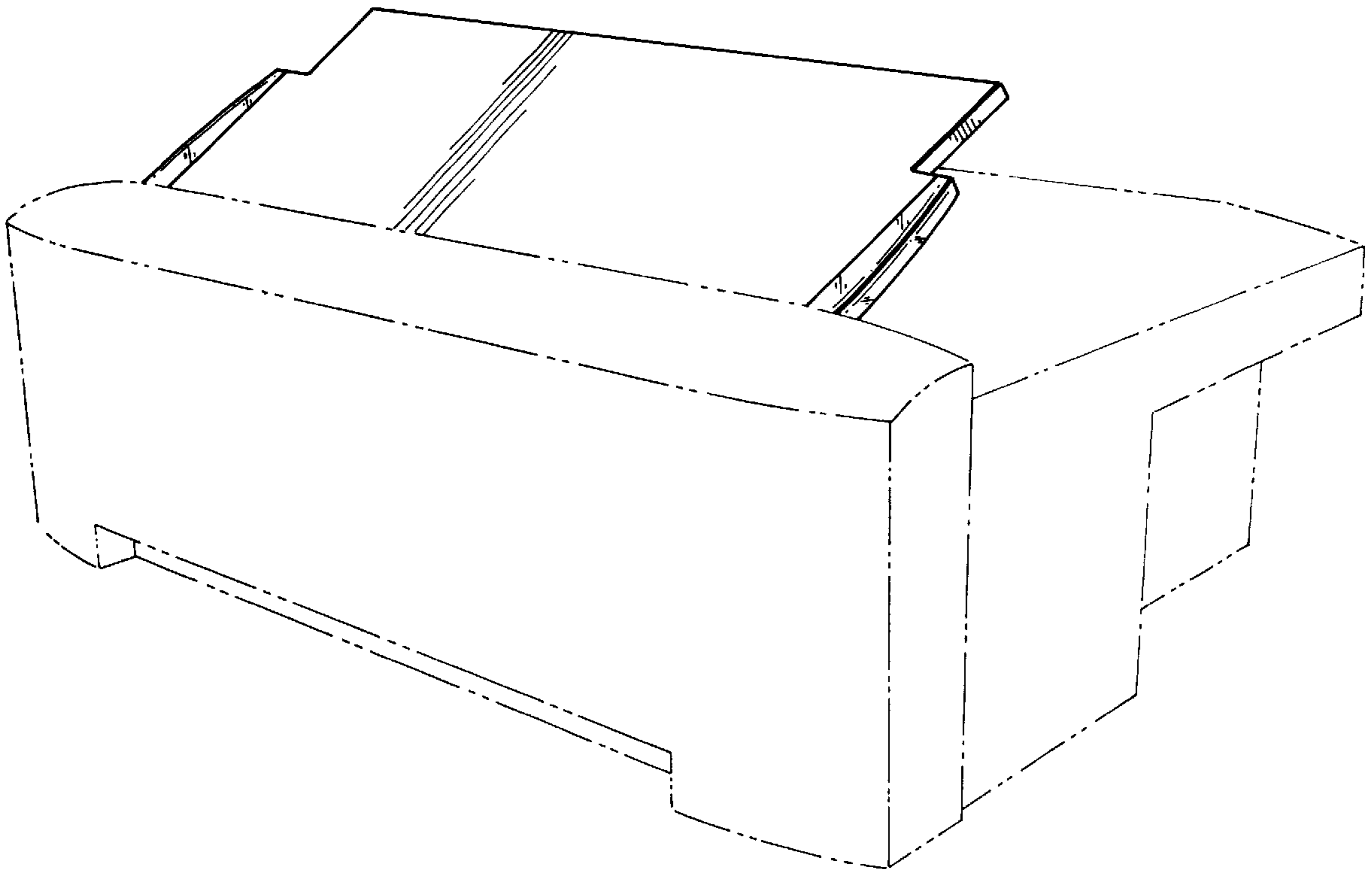
FIG. 1 is a front right side perspective view of a progress indicator and plate support for a platesetter;

FIG. 2 is a front elevational view of a progress indicator and plate support for a platesetter; and,

FIG. 3 is a right side elevational view of a progress indicator and plate support for a platesetter.

The broken lines in all views are shown to illustrate environment only and form no part of the claimed design.

1 Claim, 2 Drawing Sheets



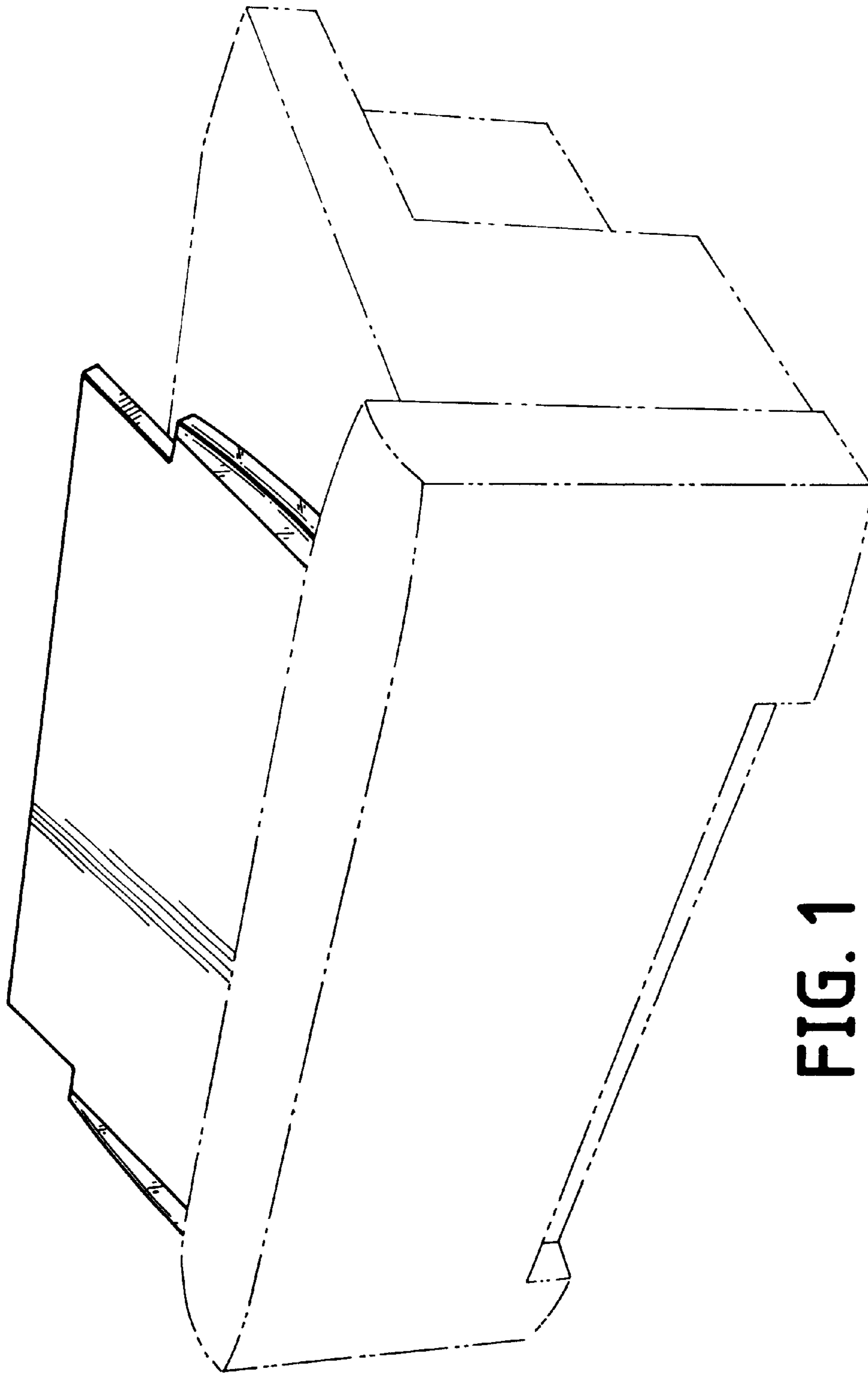


FIG. 1

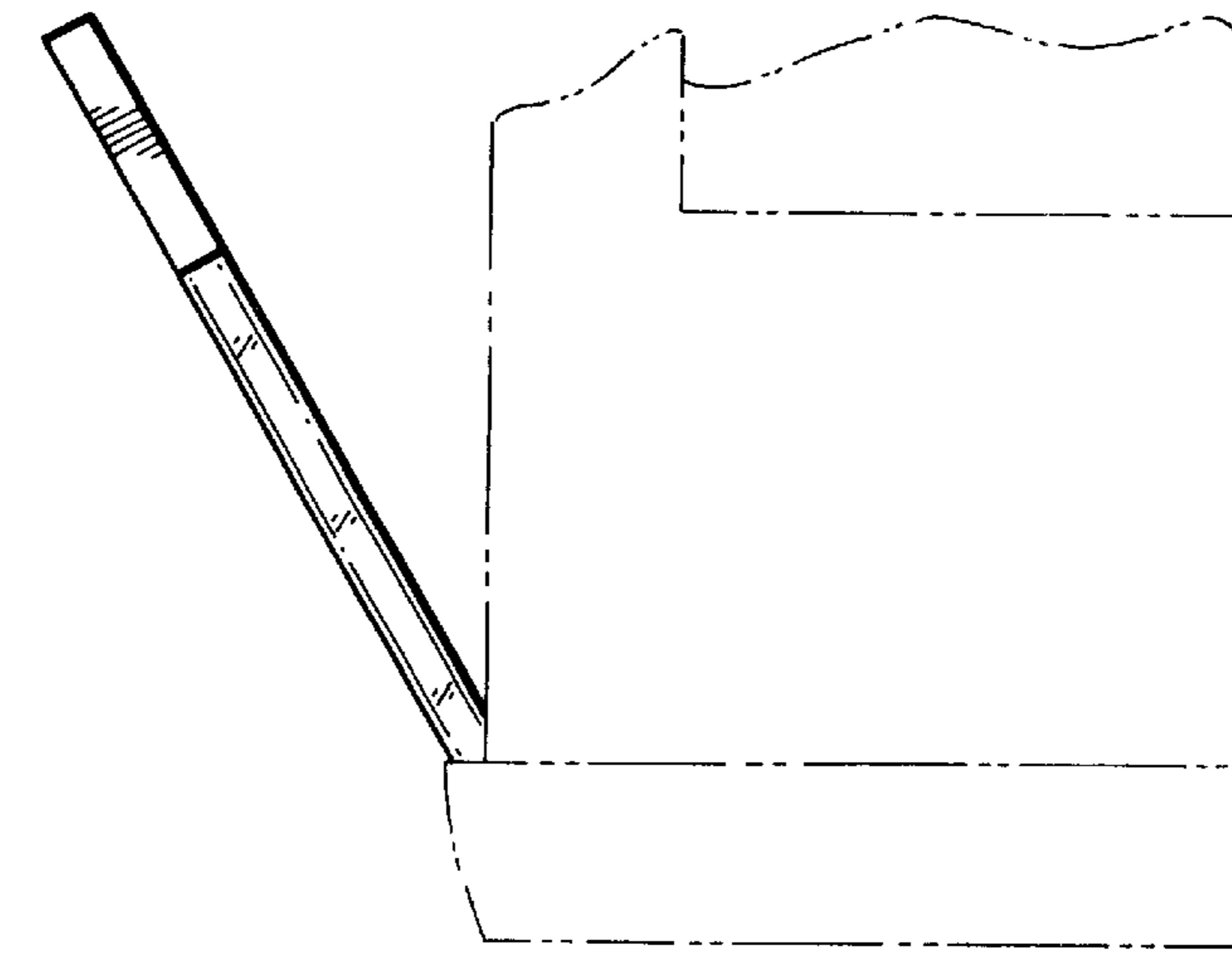


FIG. 3

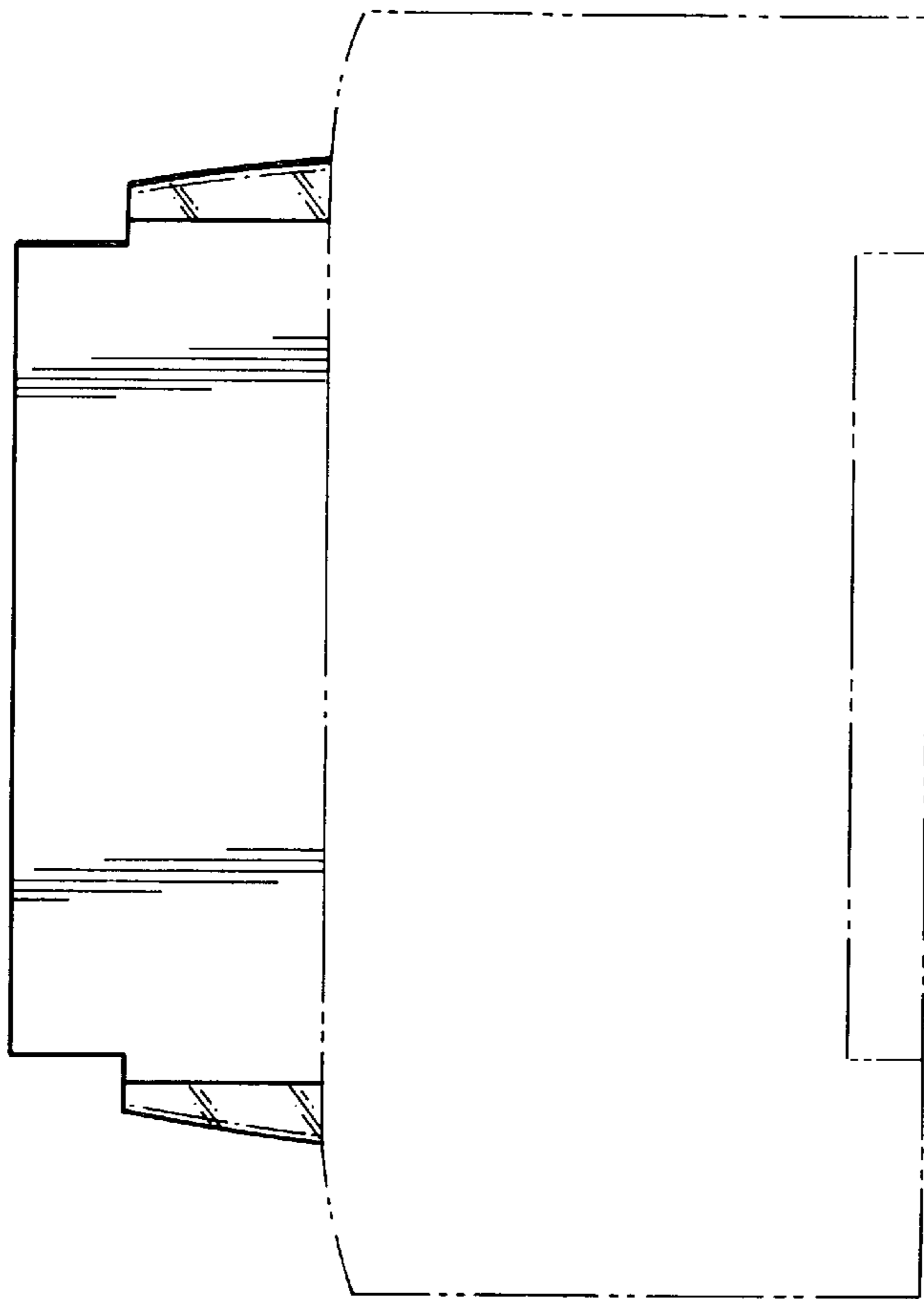


FIG. 2