



US00D450742B1

(12) **United States Design Patent**
Heinz

(10) **Patent No.:** **US D450,742 S**

(45) **Date of Patent:** **** Nov. 20, 2001**

(54) **PROGRESS INDICATOR AND PLATE FEED-THROUGH FOR A PLATESETTER**

(75) Inventor: **Roy D. Heinz**, Waltham, MA (US)

(73) Assignee: **Agfa Corporation**, Wilmington, MA (US)

(**) Term: **14 Years**

(21) Appl. No.: **29/123,272**

(22) Filed: **May 15, 2000**

(51) **LOC (7) Cl.** **16-04**

(52) **U.S. Cl.** **D16/250; D18/49**

(58) **Field of Search** D16/246-248, D16/249-250; D18/40, 49, 50; 347/262, 264; 355/27, 28, 47, 72; 396/644, 654

(56) **References Cited**

U.S. PATENT DOCUMENTS

- D. 290,998 * 7/1987 Gemmill D18/50
- D. 357,273 * 4/1995 Hocking D18/49
- D. 373,779 * 9/1996 Takahashi et al. D16/246

- 5,006,884 * 4/1991 Kazuhito et al. 355/27
- 5,006,887 * 4/1991 Ogura 355/72
- 5,751,402 * 5/1998 Nakamura et al. 355/47
- 6,278,511 * 8/2001 Krupica et al. 355/28

* cited by examiner

Primary Examiner—Adir Aronovich

(74) *Attorney, Agent, or Firm*—Robert A. Sabourin

(57) **CLAIM**

The ornamental design for a progress indicator and plate feed-through for a platesetter, as shown and described.

DESCRIPTION

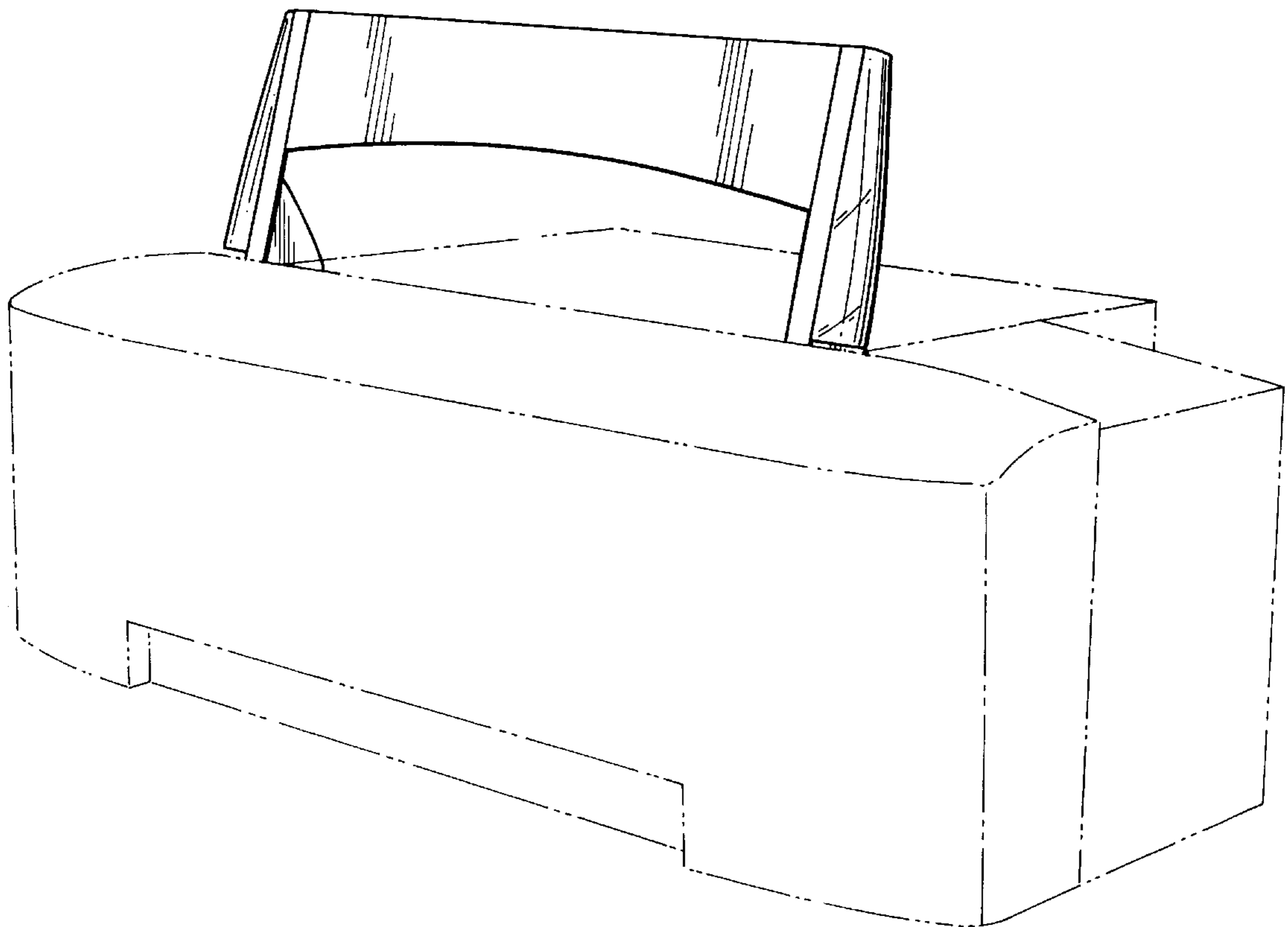
FIG. 1 is a front right side perspective view of a progress indicator and plate feed-through for a platesetter;

FIG. 2 is a front elevational view of a progress indicator and plate feed-through for a platesetter; and,

FIG. 3 is a right side elevational view of a progress indicator and plate feed-through for a platesetter.

The broken lines in all views are shown to illustrate environment only and form no part of the claimed design.

1 Claim, 2 Drawing Sheets



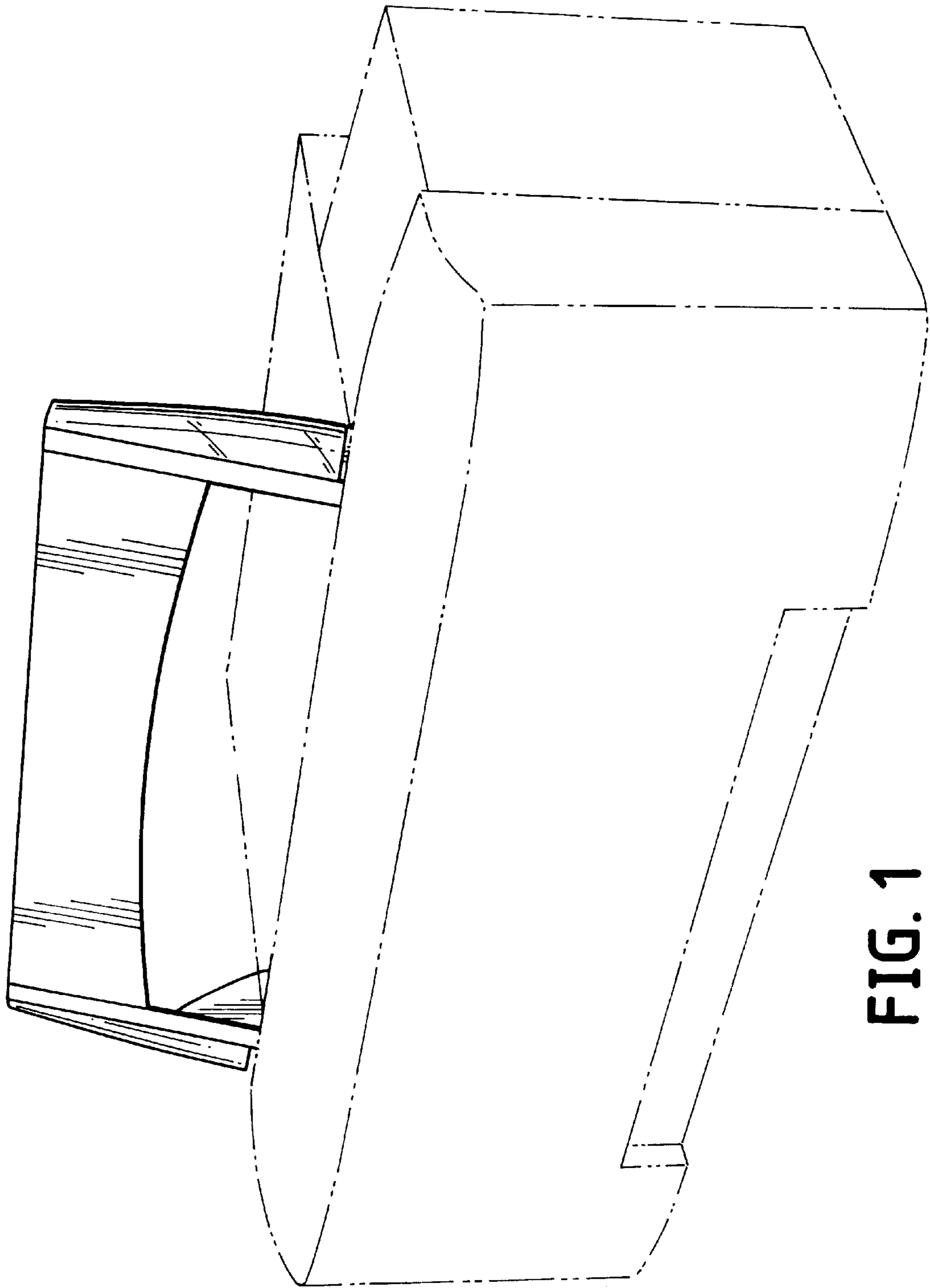


FIG. 1

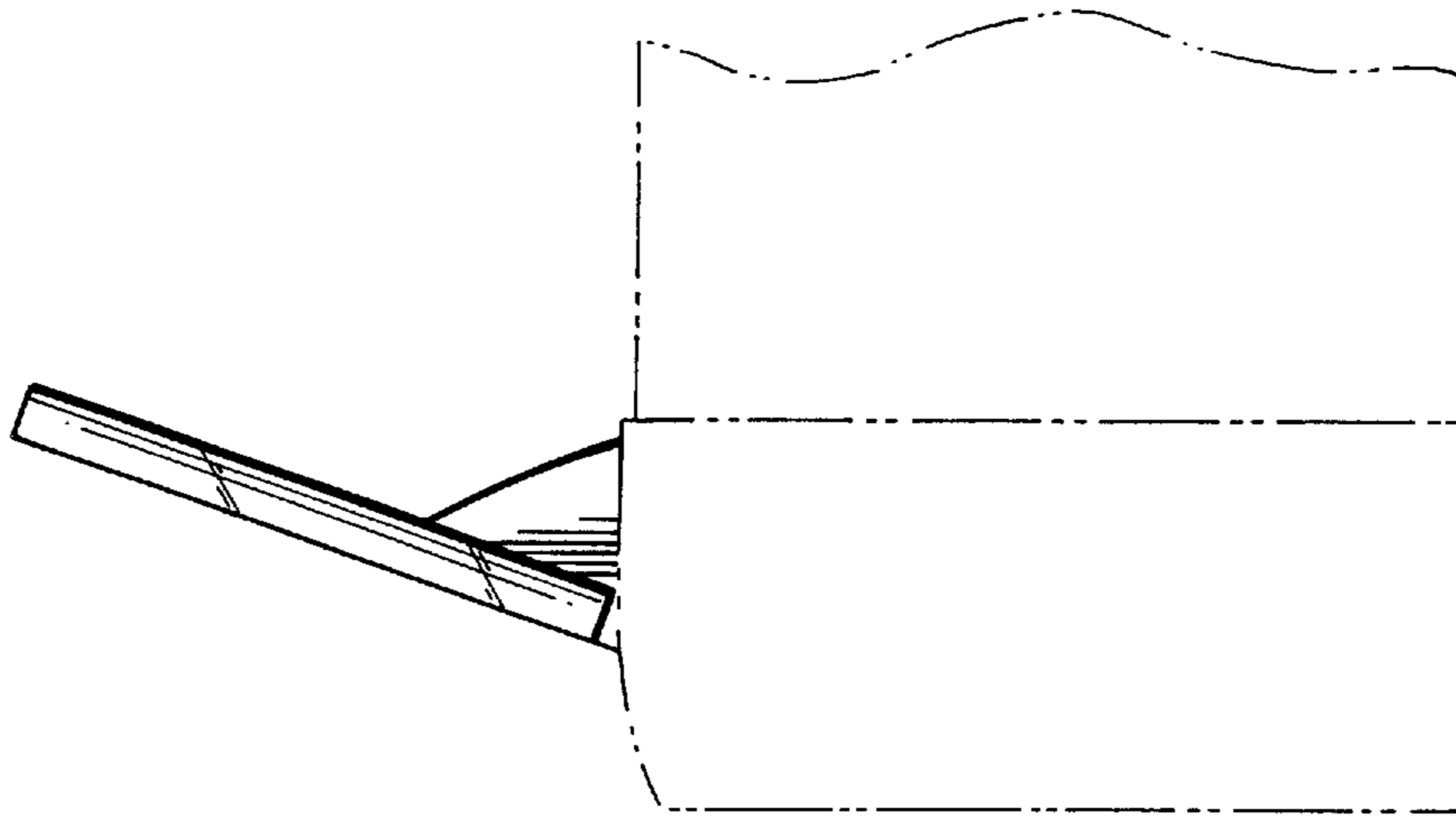


FIG. 3

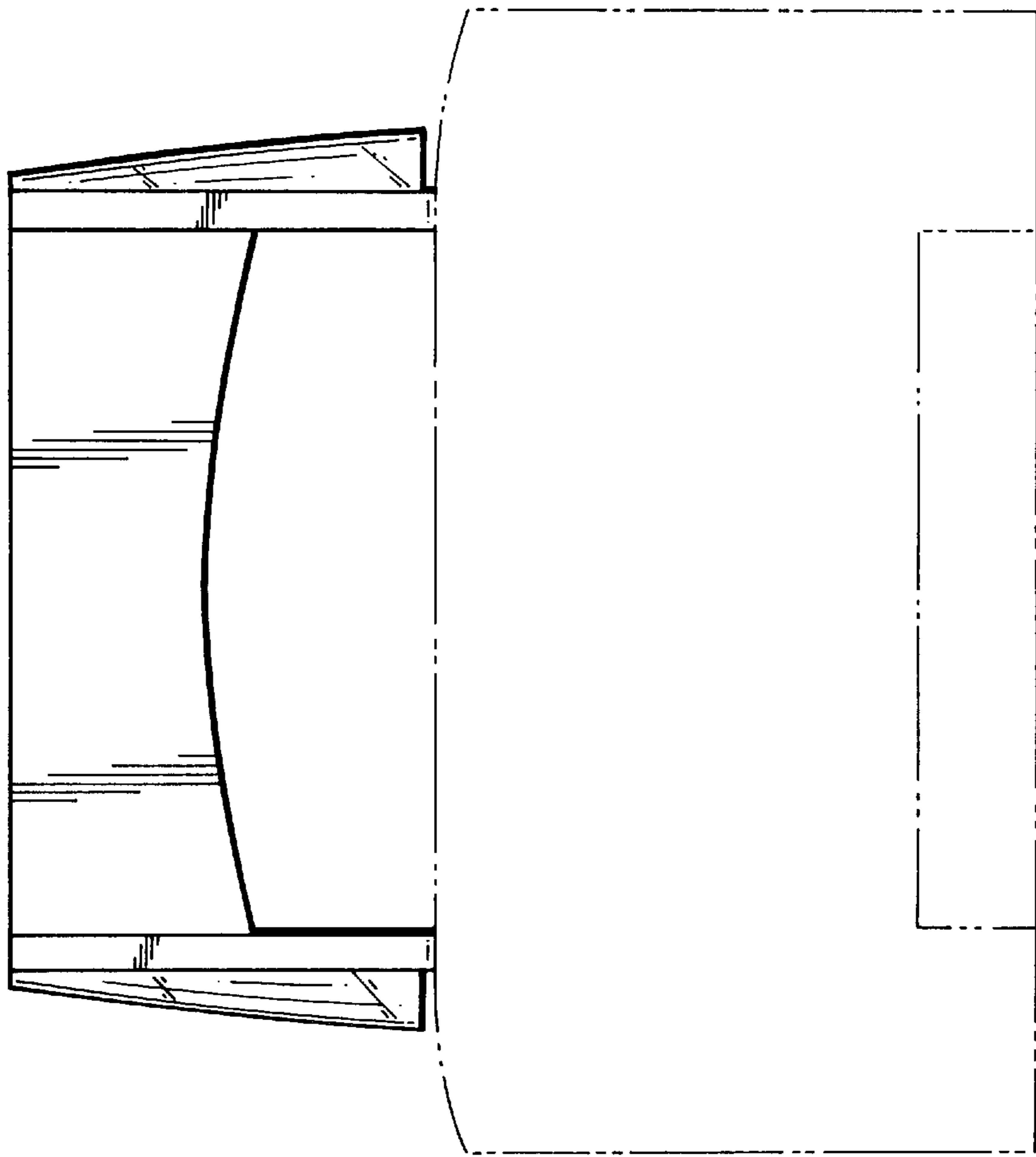


FIG. 2