



US00D450741B1

(12) **United States Design Patent**  
**Oka**

(10) **Patent No.:** **US D450,741 S**

(45) **Date of Patent:** **\*\* Nov. 20, 2001**

(54) **VIDEO CAMERA**

(75) Inventor: **Hiroki Oka**, Tokyo (JP)

(73) Assignee: **Sony Corporation**, Tokyo (JP)

(\*\*) Term: **14 Years**

(21) Appl. No.: **29/130,094**

(22) Filed: **Aug. 30, 2000**

(51) **LOC (7) Cl.** ..... **16-01**

(52) **U.S. Cl.** ..... **D16/219; D16/202**

(58) **Field of Search** ..... **D16/200–206,**  
**D16/208, 218, 219, 237; 348/373–376;**  
**396/535–541**

(56) **References Cited**

**U.S. PATENT DOCUMENTS**

D. 337,340	*	7/1993	Tanaka	.....	D16/202
D. 381,996		8/1997	Kobayashi	.....	D16/202
D. 400,202	*	10/1998	Kitutani	.....	D16/237
D. 404,748	*	1/1999	Miyashita	.....	D16/202
D. 412,178	*	7/1999	Kobayashi	.....	D16/202
D. 412,515	*	8/1999	Oka	.....	D16/202
D. 431,041	*	9/2000	Sekine	.....	D16/202

**FOREIGN PATENT DOCUMENTS**

9793332-1 8/1997 (JP).

**OTHER PUBLICATIONS**

Catalog "Sony Broadcast/Production System", p. 131, Sony, Nov. 1999.

\* cited by examiner

*Primary Examiner*—Adir Aronovich

(74) *Attorney, Agent, or Firm*—Rader, Fishman & Grauer, PLLC

(57) **CLAIM**

The ornamental design for a video camera, as shown and described.

**DESCRIPTION**

FIG. 1 is a top, front and left side perspective view of a video camera showing my new design;

FIG. 2 is a top plan view thereof;

FIG. 3 is a bottom plan view thereof;

FIG. 4 is a front elevational view thereof;

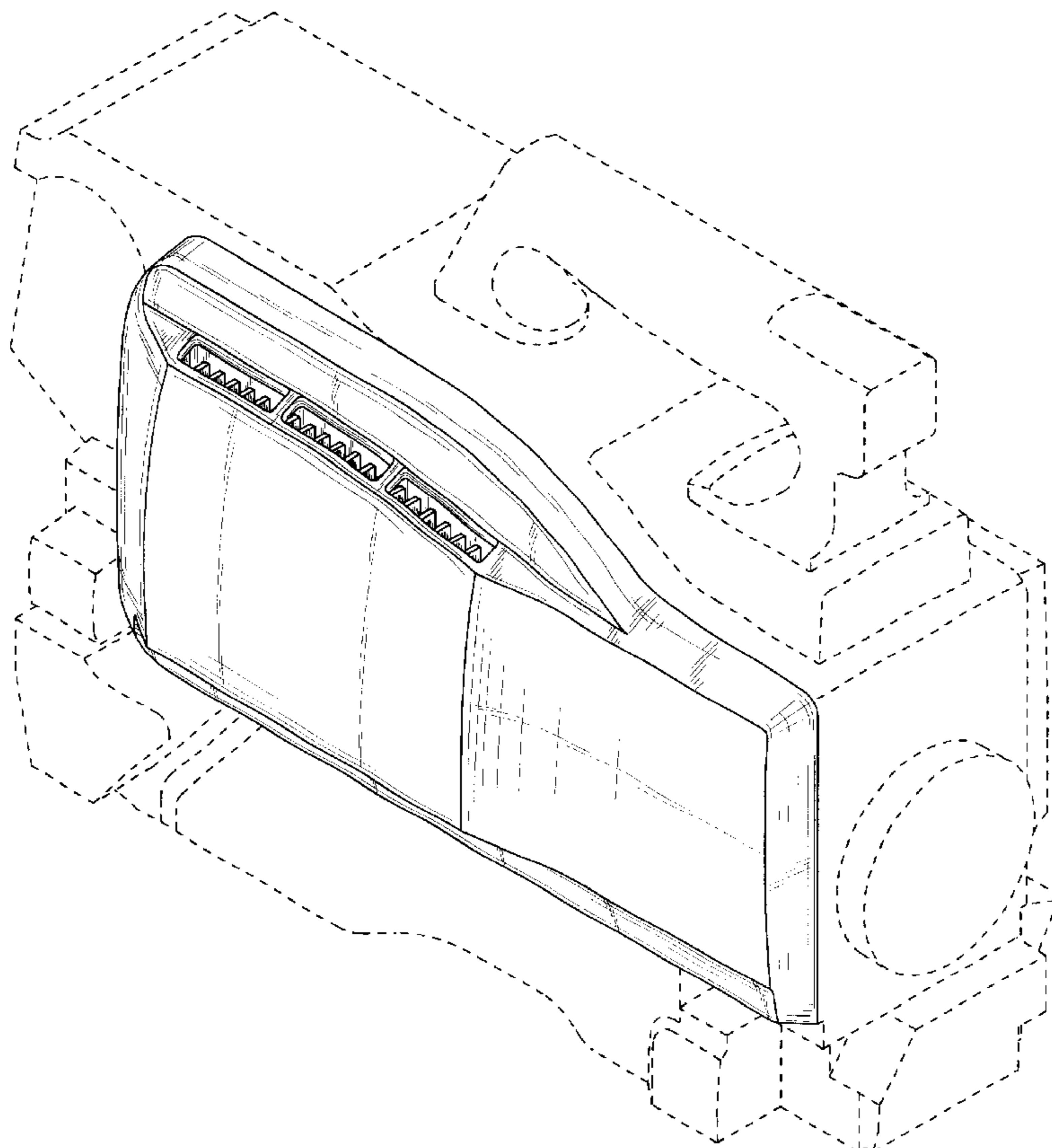
FIG. 5 is a rear elevational view thereof;

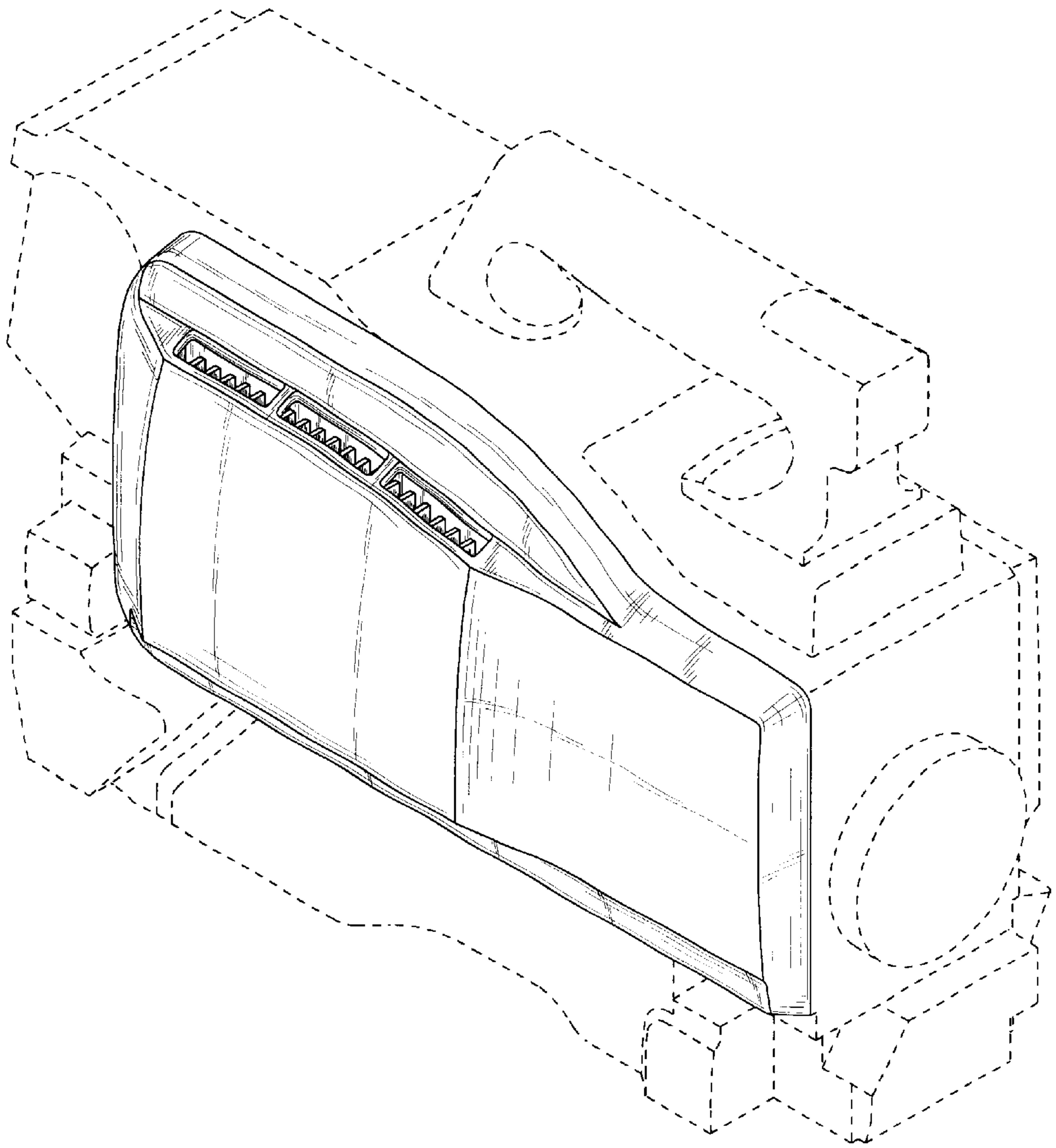
FIG. 6 is a left side elevational view thereof; and,

FIG. 7 is a right side elevational view thereof.

The broken lines in FIGS. 1–7 are shown to illustrate environment only and form no part of the claimed design.

**1 Claim, 5 Drawing Sheets**





**Fig. 1**

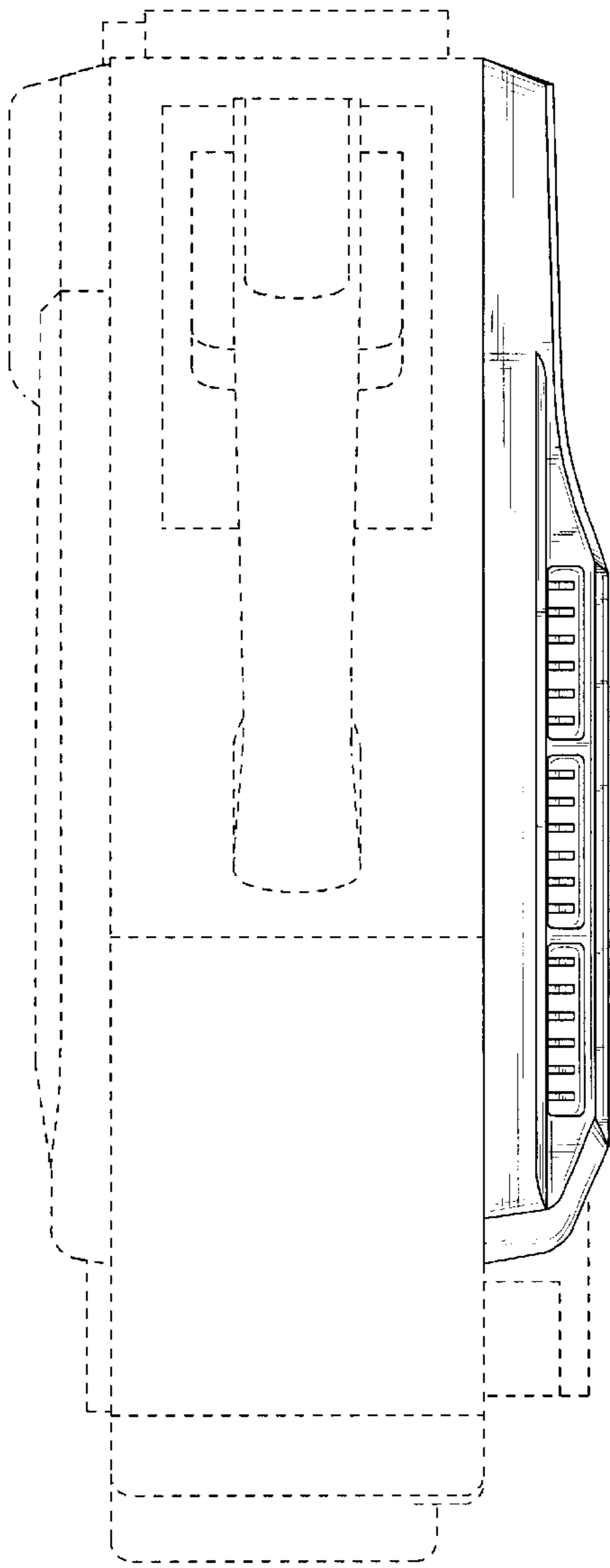


Fig. 2

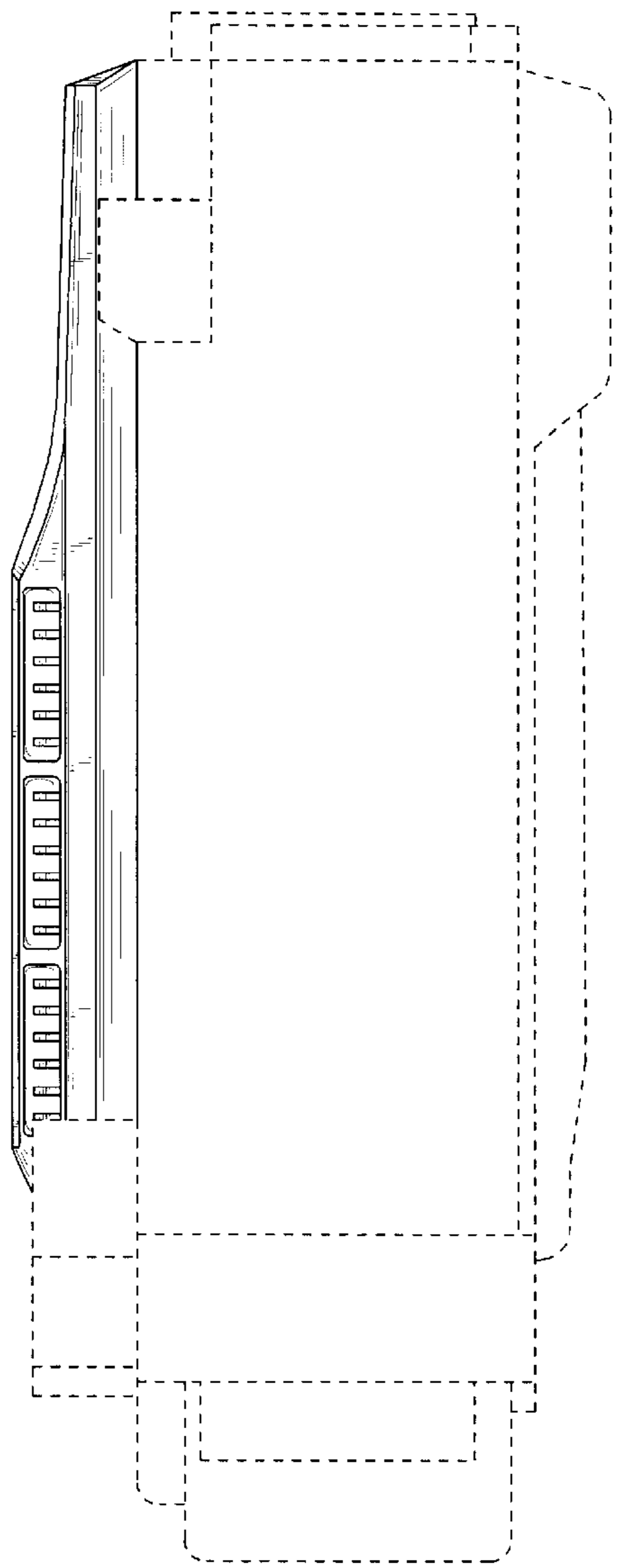
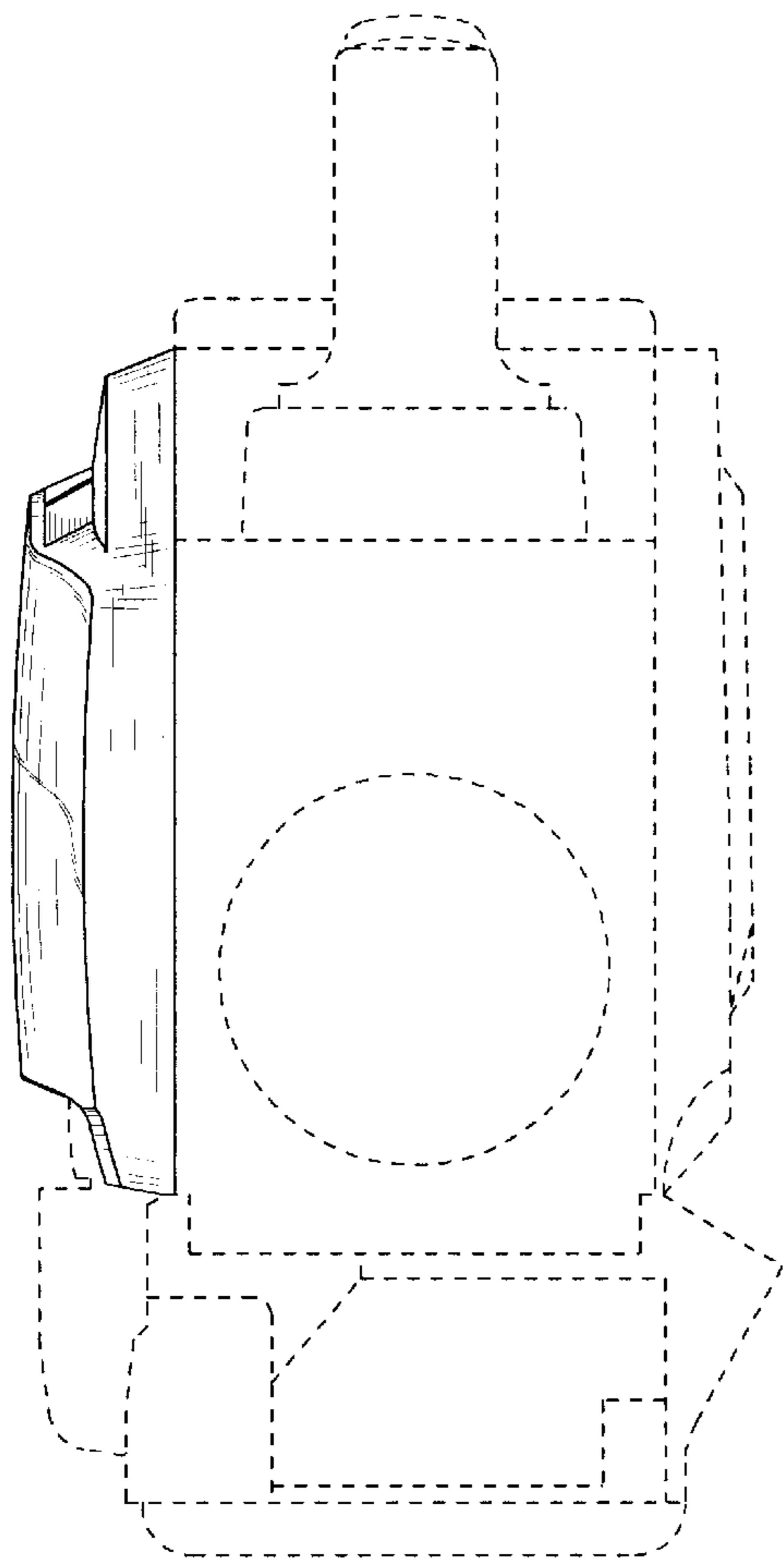
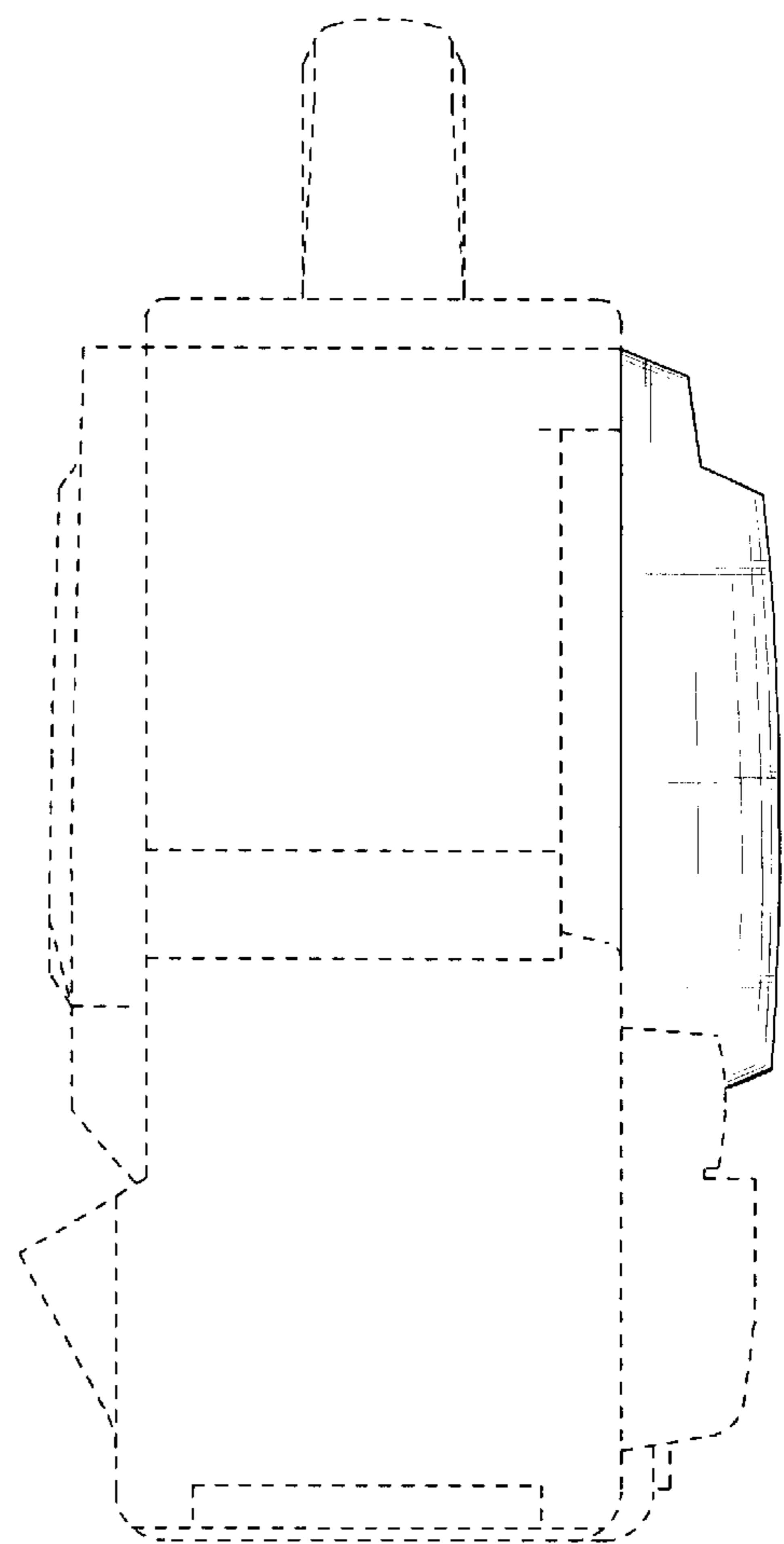


Fig. 3



**Fig. 4**



**Fig. 5**

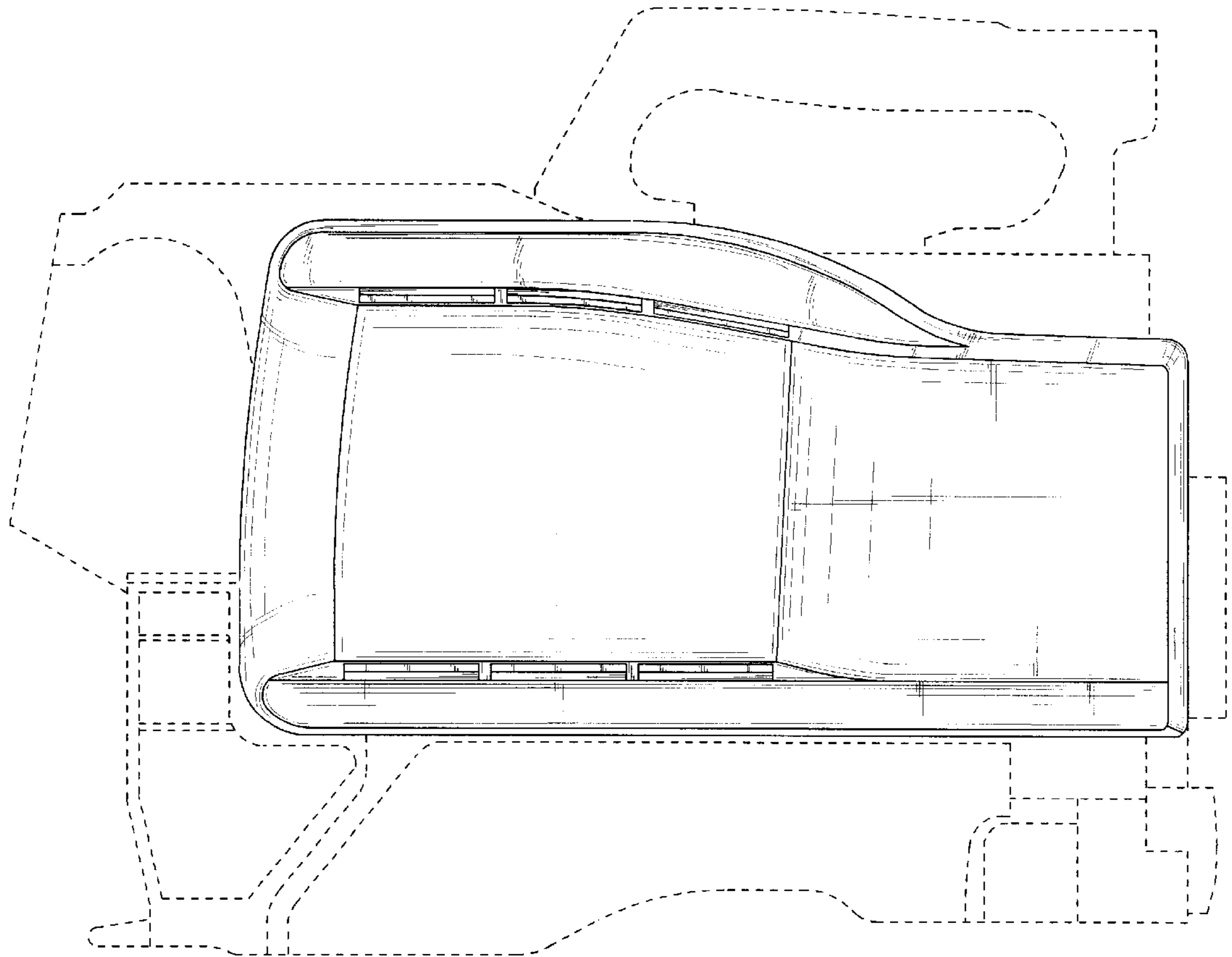
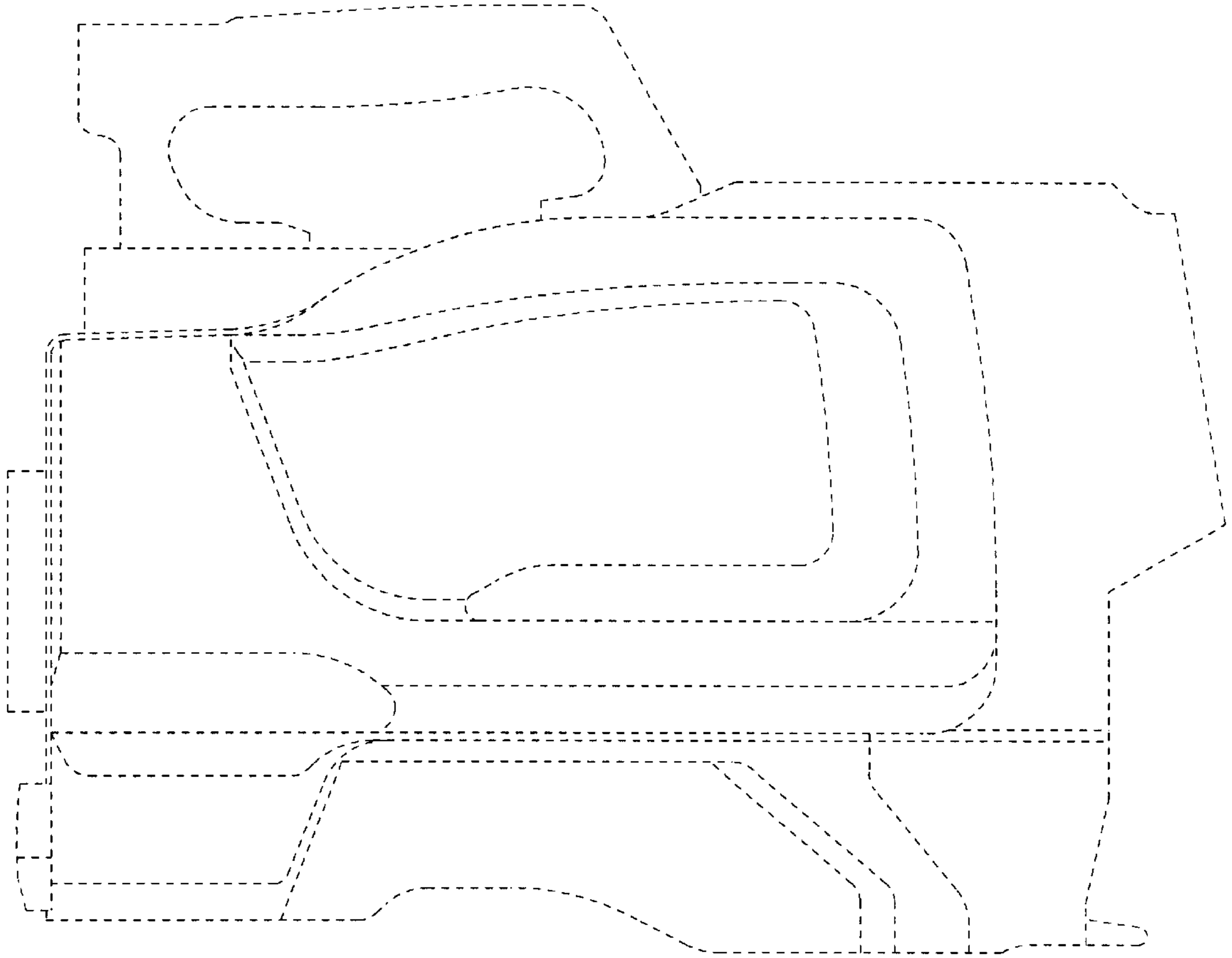


Fig. 6



**Fig. 7**