



US00D450737B1

(12) **United States Design Patent**
Suzuki

(10) **Patent No.:** **US D450,737 S**

(45) **Date of Patent:** **** Nov. 20, 2001**

(54) **ELECTRONIC STILL CAMERA**

(75) Inventor: **Akio Suzuki**, Tokyo (JP)

(73) Assignee: **Sony Corporation**, Tokyo (JP)

(**) Term: **14 Years**

(21) Appl. No.: **29/139,375**

(22) Filed: **Mar. 30, 2001**

(51) **LOC (7) Cl.** **16-01**

(52) **U.S. Cl.** **D16/202**

(58) **Field of Search** D16/200-206,
D16/208, 209, 217, 218; 358/906, 909.1;
348/373-376; 396/535-541

(56) **References Cited**

U.S. PATENT DOCUMENTS

- D. 416,270 * 11/1999 Harata D16/202
- D. 424,085 * 5/2000 Naito D16/202
- D. 441,001 * 4/2001 Naito D16/218
- D. 442,614 * 5/2001 Sumita D16/202

- D. 445,438 * 7/2001 Kubota D16/202
- 3,418,909 * 12/1968 Rabinow D16/218

* cited by examiner

Primary Examiner—Adir Aronovich

(74) *Attorney, Agent, or Firm*—Rader, Fishman & Grauer, PLLC

(57) **CLAIM**

The ornamental design for a electronic still camera, as shown and described.

DESCRIPTION

FIG. 1 is a perspective view of an electronic still camera showing my new design;
 FIG. 2 is a front elevational view thereof;
 FIG. 3 is a rear elevational view thereof;
 FIG. 4 is a left side elevational view thereof;
 FIG. 5 is a right side elevational view thereof;
 FIG. 6 is a top plan view thereof; and,
 FIG. 7 is a bottom plan view thereof.

1 Claim, 4 Drawing Sheets

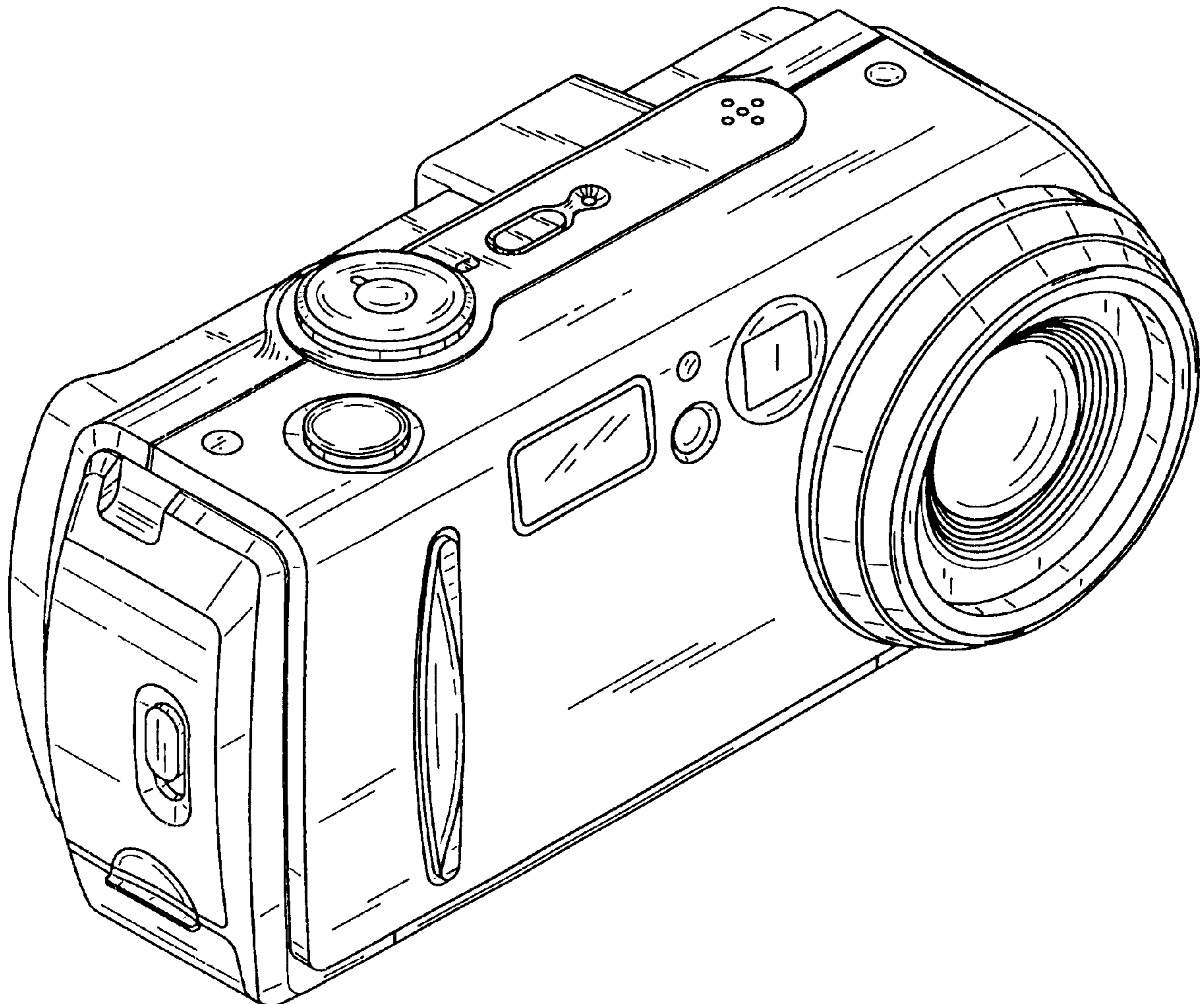


FIG. 1

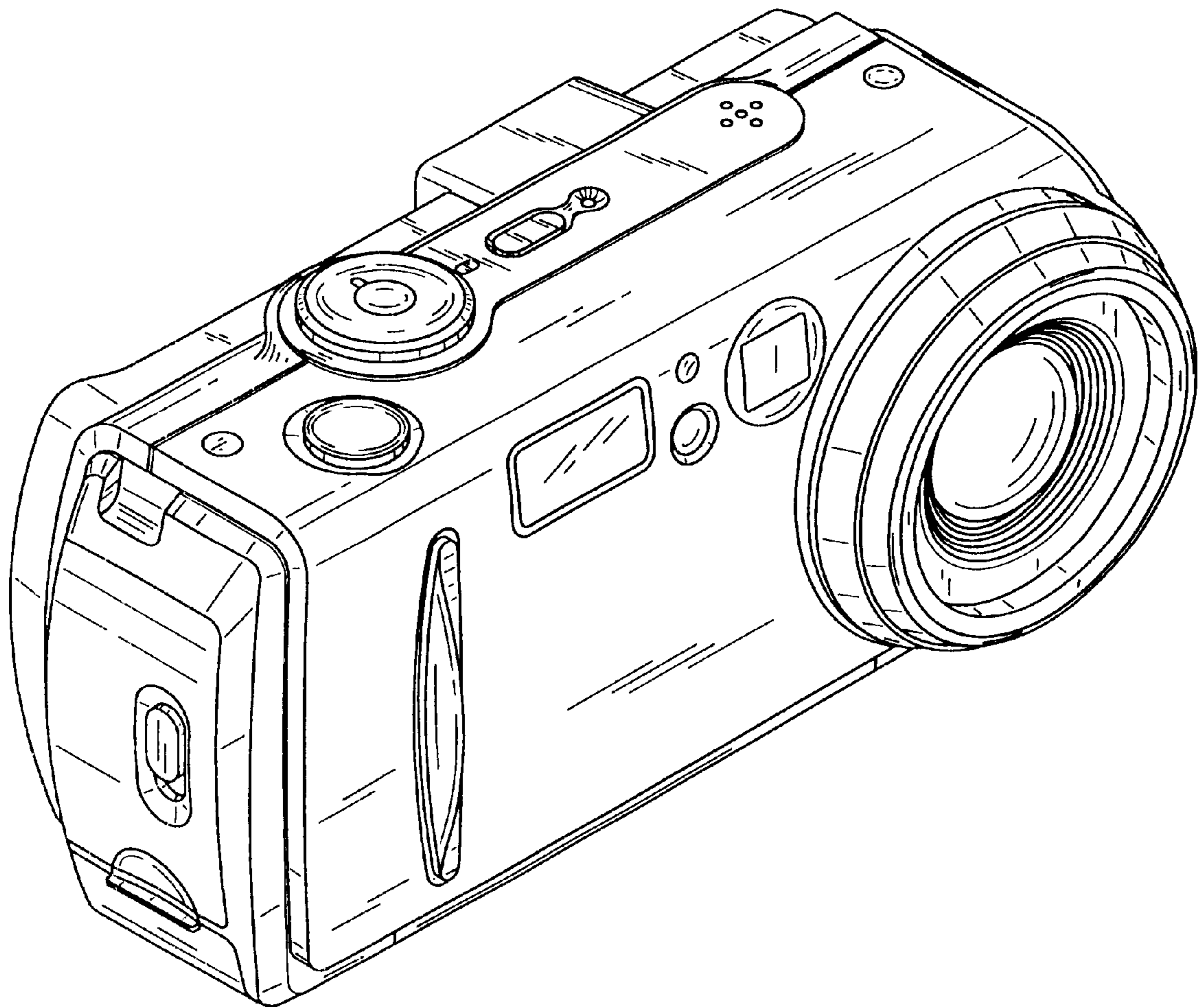


FIG. 2

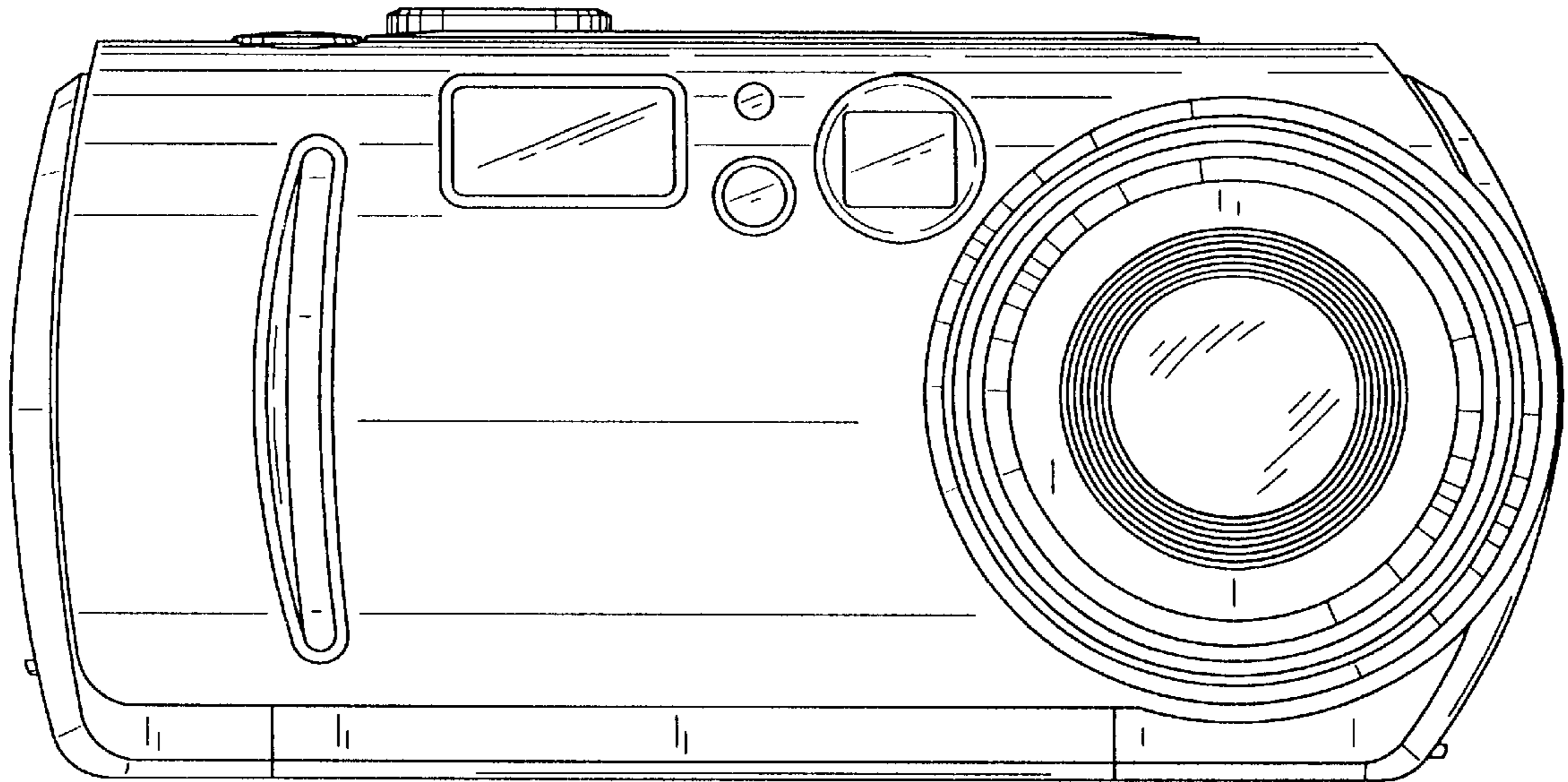


FIG. 3

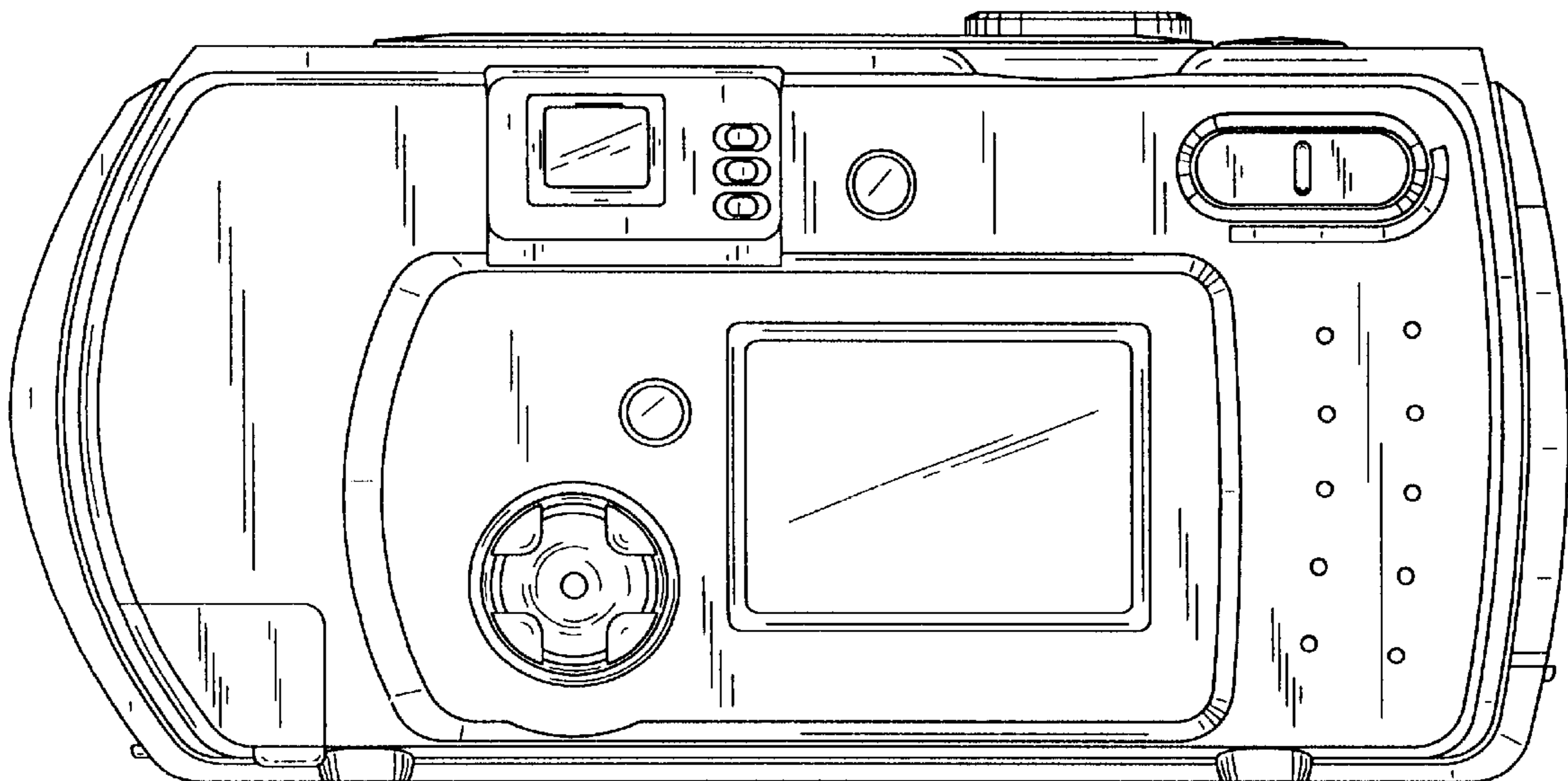


FIG. 4

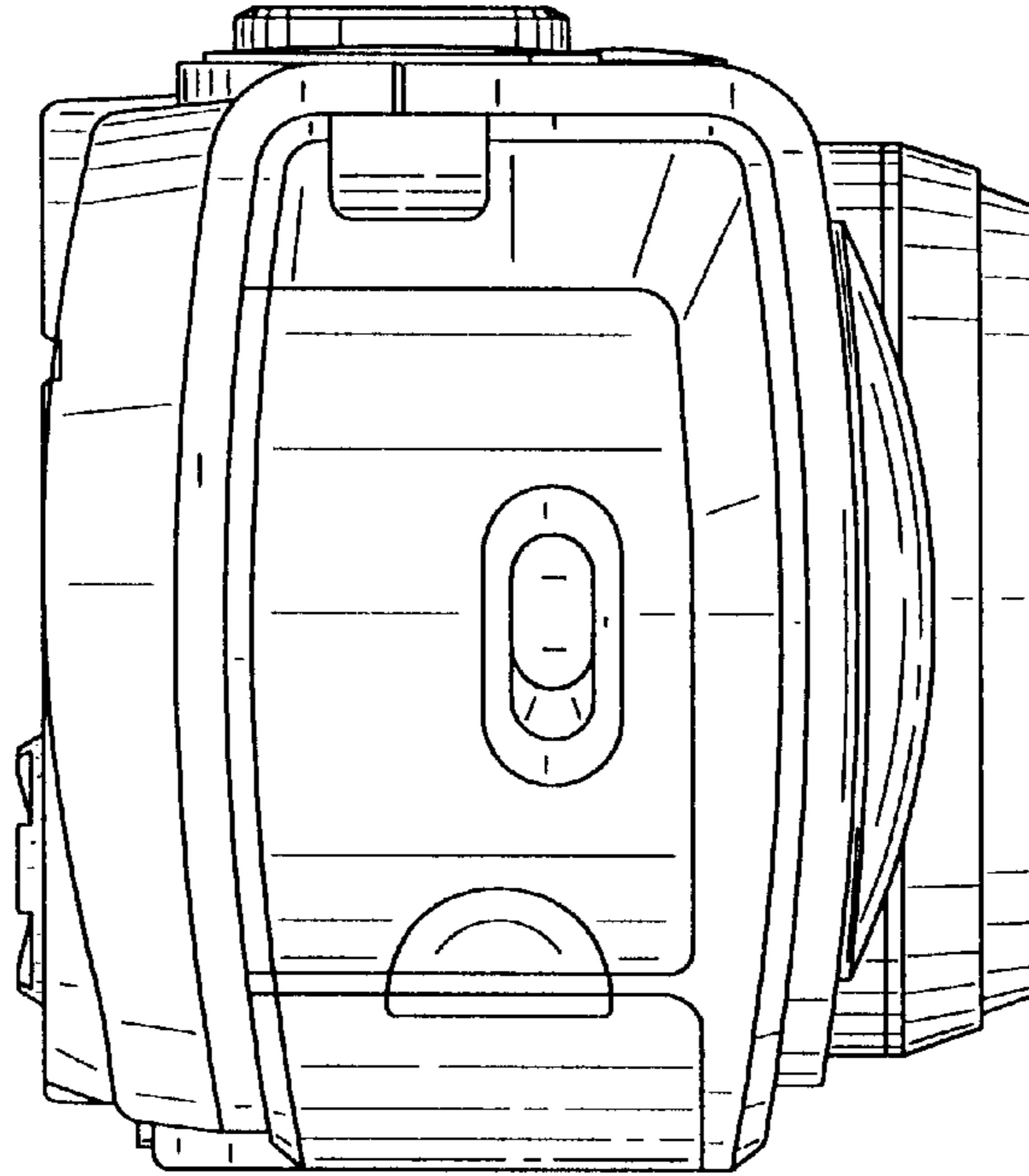


FIG. 5

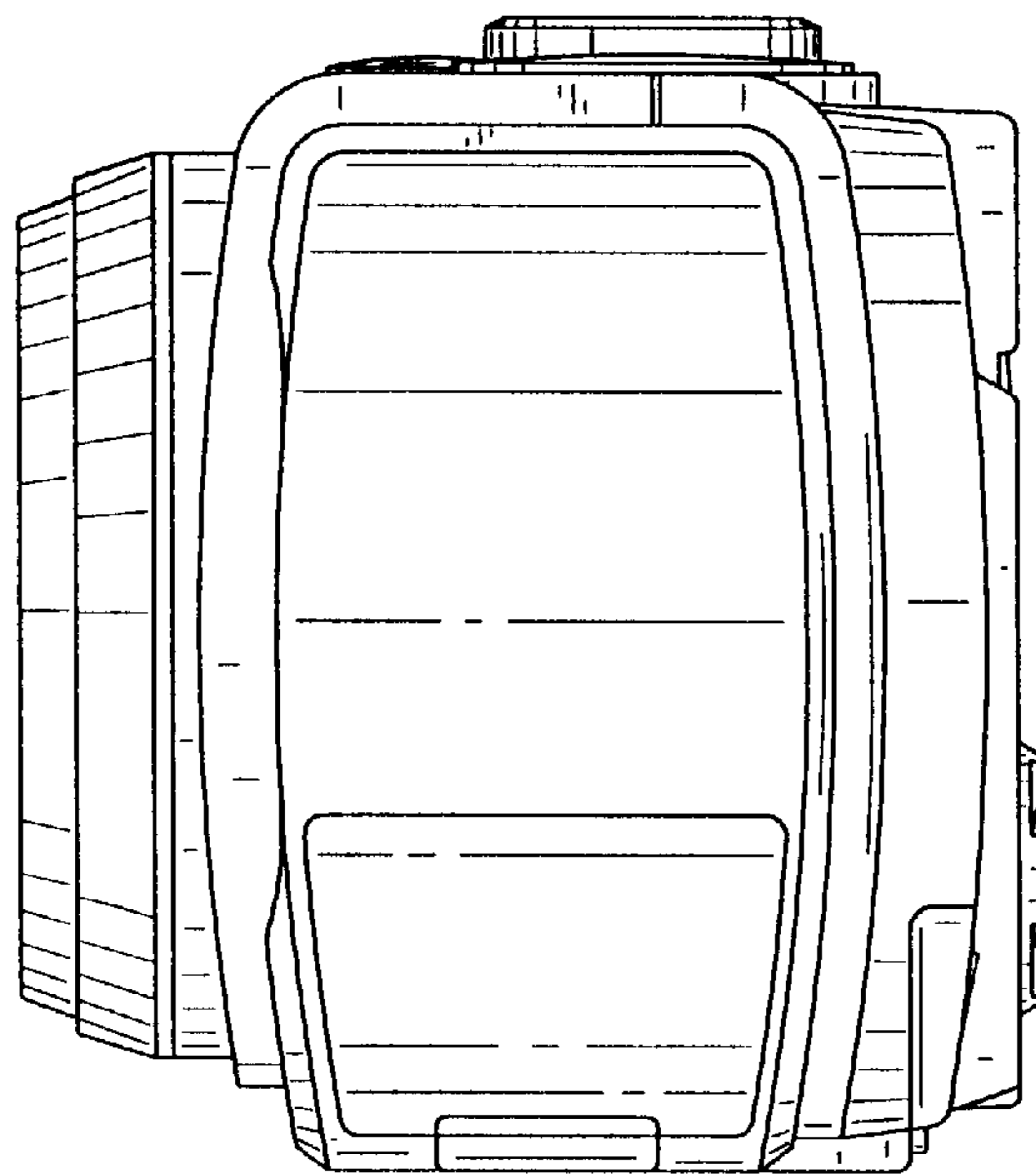


FIG. 6

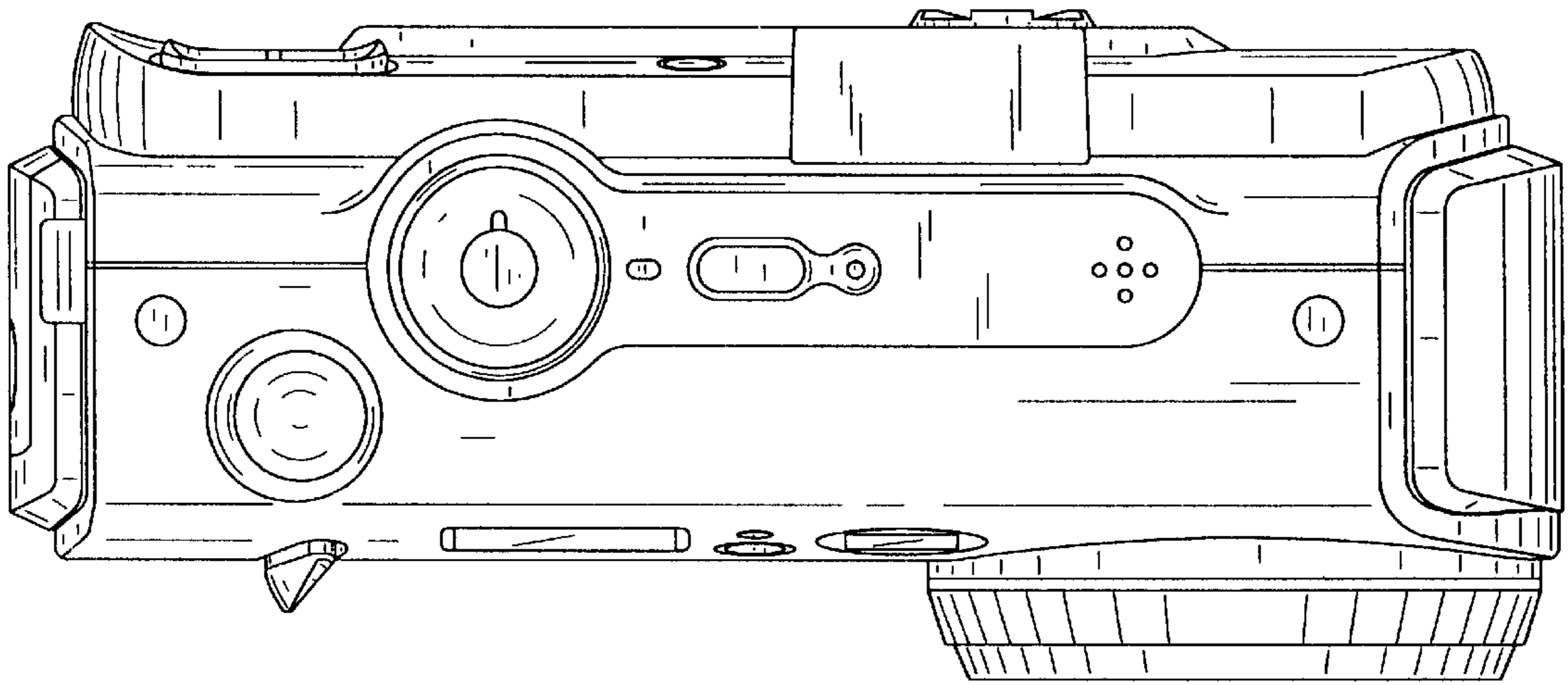


FIG. 7

