



US00D450735B1

(12) **United States Design Patent**  
**Teng et al.**

(10) **Patent No.:** **US D450,735 S**

(45) **Date of Patent:** **\*\* Nov. 20, 2001**

(54) **DIGITAL CAMERA**

(75) Inventors: **Chau-Farn Teng; Chia-Ping Chang;**  
**Yann-Rong Chen**, all of Tao Yuan  
Hsien (TW)

(73) Assignee: **Sampo Corporation**, Yuan Hsien (TW)

(\*\*) Term: **14 Years**

(21) Appl. No.: **29/138,187**

(22) Filed: **Mar. 9, 2001**

(51) **LOC (7) Cl.** ..... **16-01**

(52) **U.S. Cl.** ..... **D16/202; D16/218**

(58) **Field of Search** ..... **D16/200-205,**  
**D16/208, 209, 212, 217, 218; 396/6, 25,**  
**26-29, 535-541**

(56) **References Cited**

**U.S. PATENT DOCUMENTS**

D. 404,751 \* 1/1999 Takaba ..... D16/209  
D. 427,618 \* 7/2000 Row et al. .... D6/209

D. 428,035 \* 7/2000 Hou et al. .... D16/209  
D. 430,186 \* 8/2000 Suzuki et al. .... D16/218  
D. 433,045 \* 10/2000 Yamano et al. .... D16/202  
6,118,941 \* 9/2000 Sugiyama ..... 396/6

\* cited by examiner

*Primary Examiner*—Adir Aronovich

(74) *Attorney, Agent, or Firm*—Rosenberg, Klein & Lee

(57) **CLAIM**

The ornamental design for a digital camera, as shown and described.

**DESCRIPTION**

FIG. 1 is the perspective view of a digital camera showing our new design;

FIG. 2 is the front view thereof;

FIG. 3 is the rear view thereof;

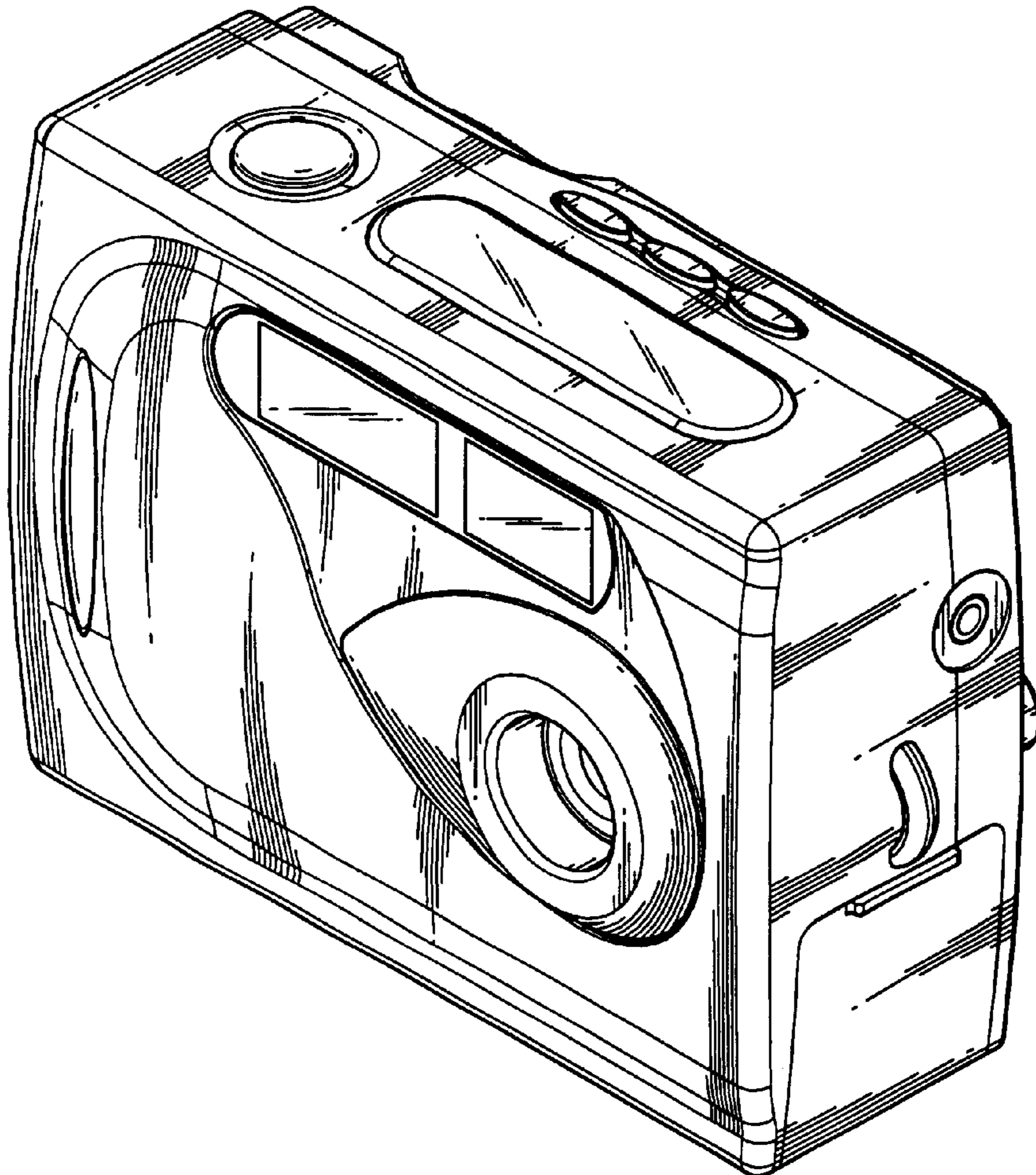
FIG. 4 is the left side view thereof;

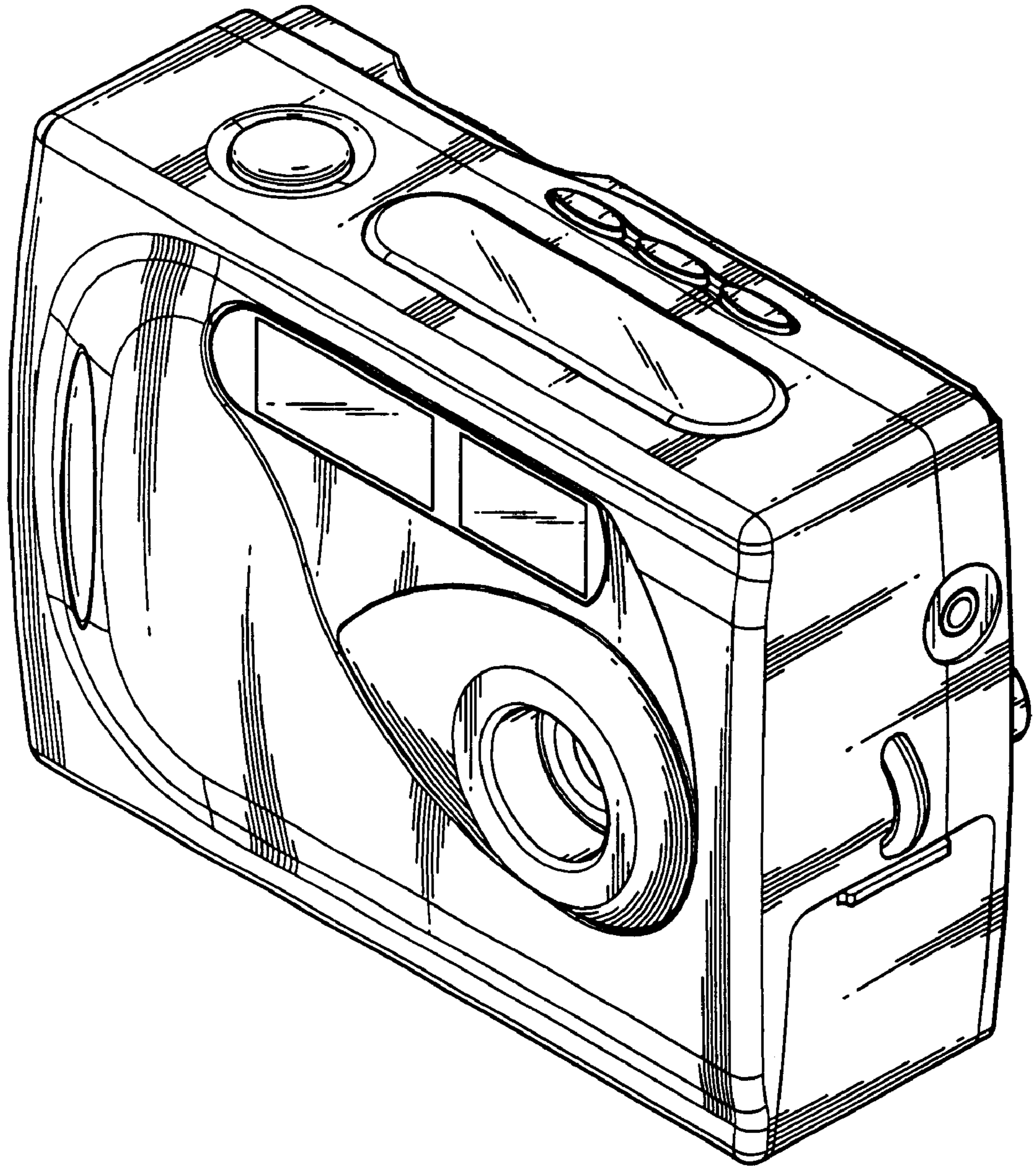
FIG. 5 is the right side view thereof;

FIG. 6 is the top view thereof; and,

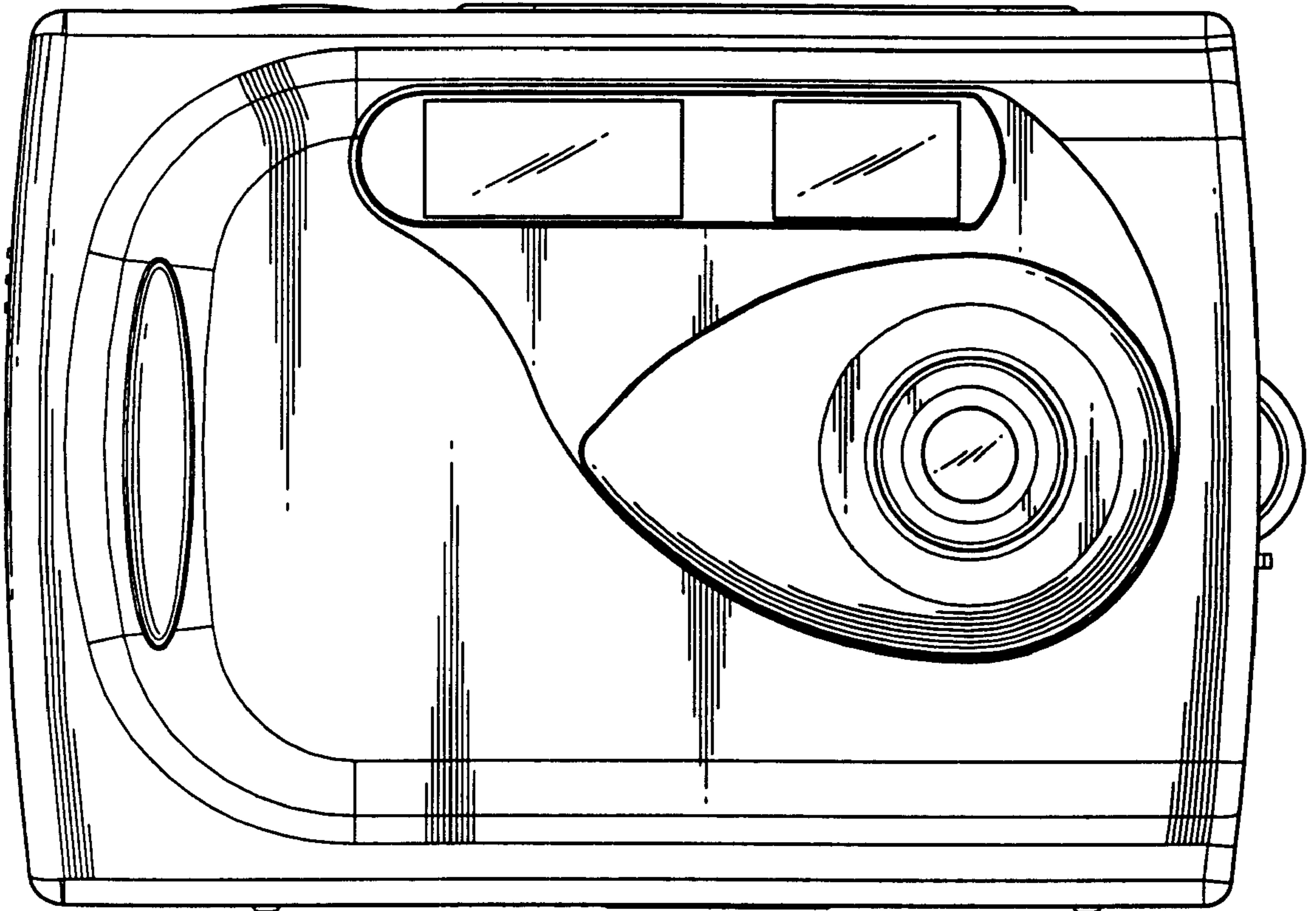
FIG. 7 is the bottom view thereof.

**1 Claim, 5 Drawing Sheets**

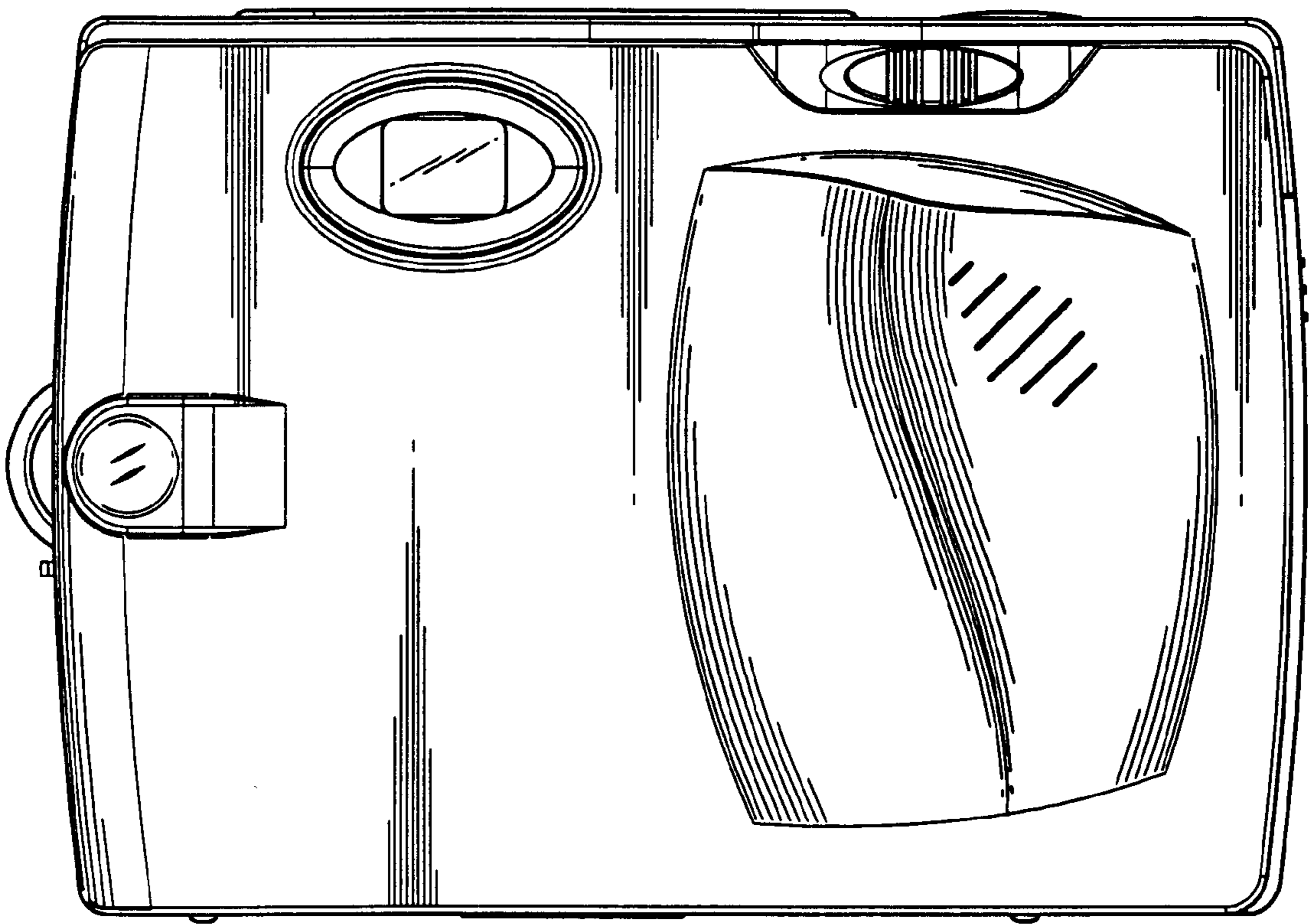




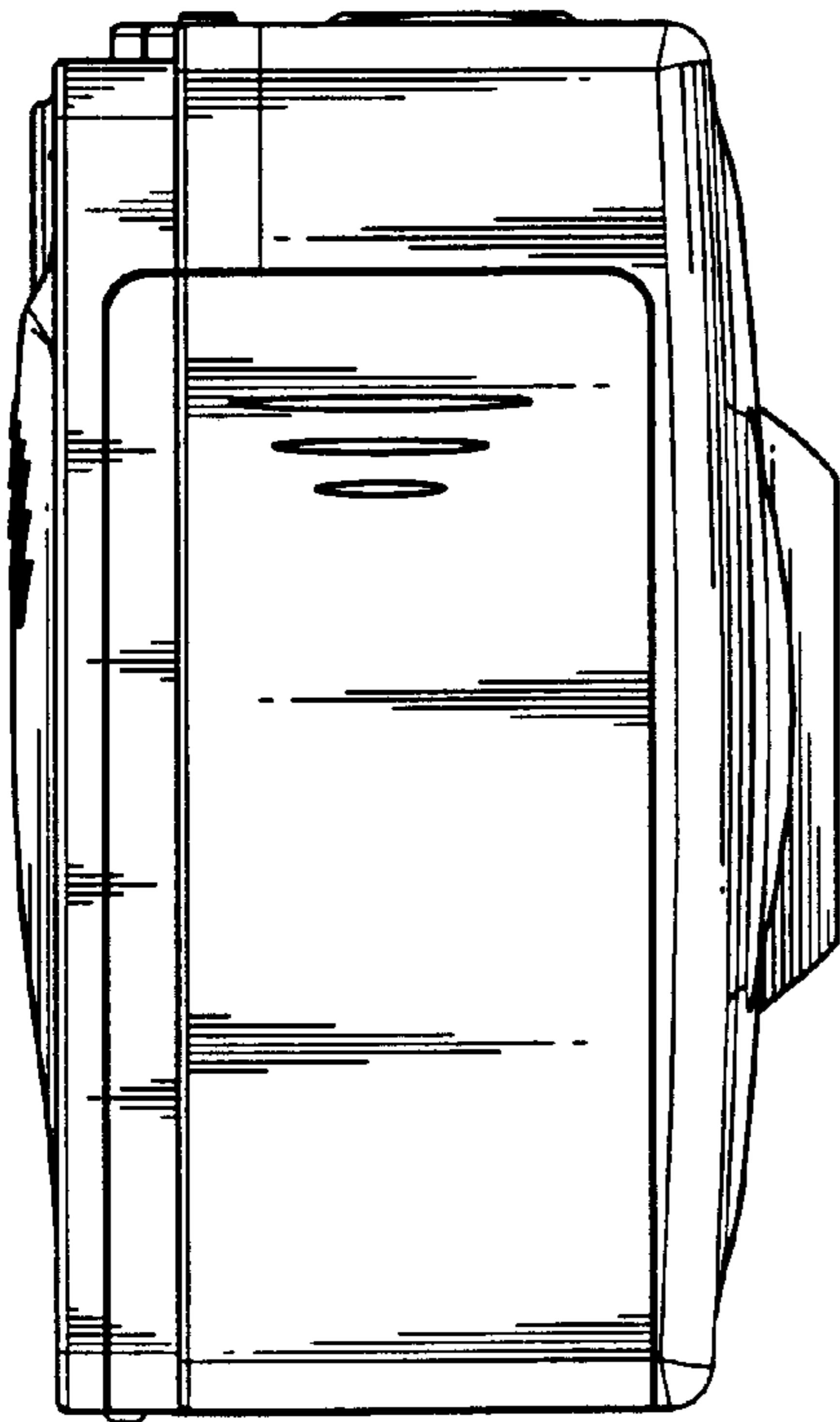
**FIG. 1**



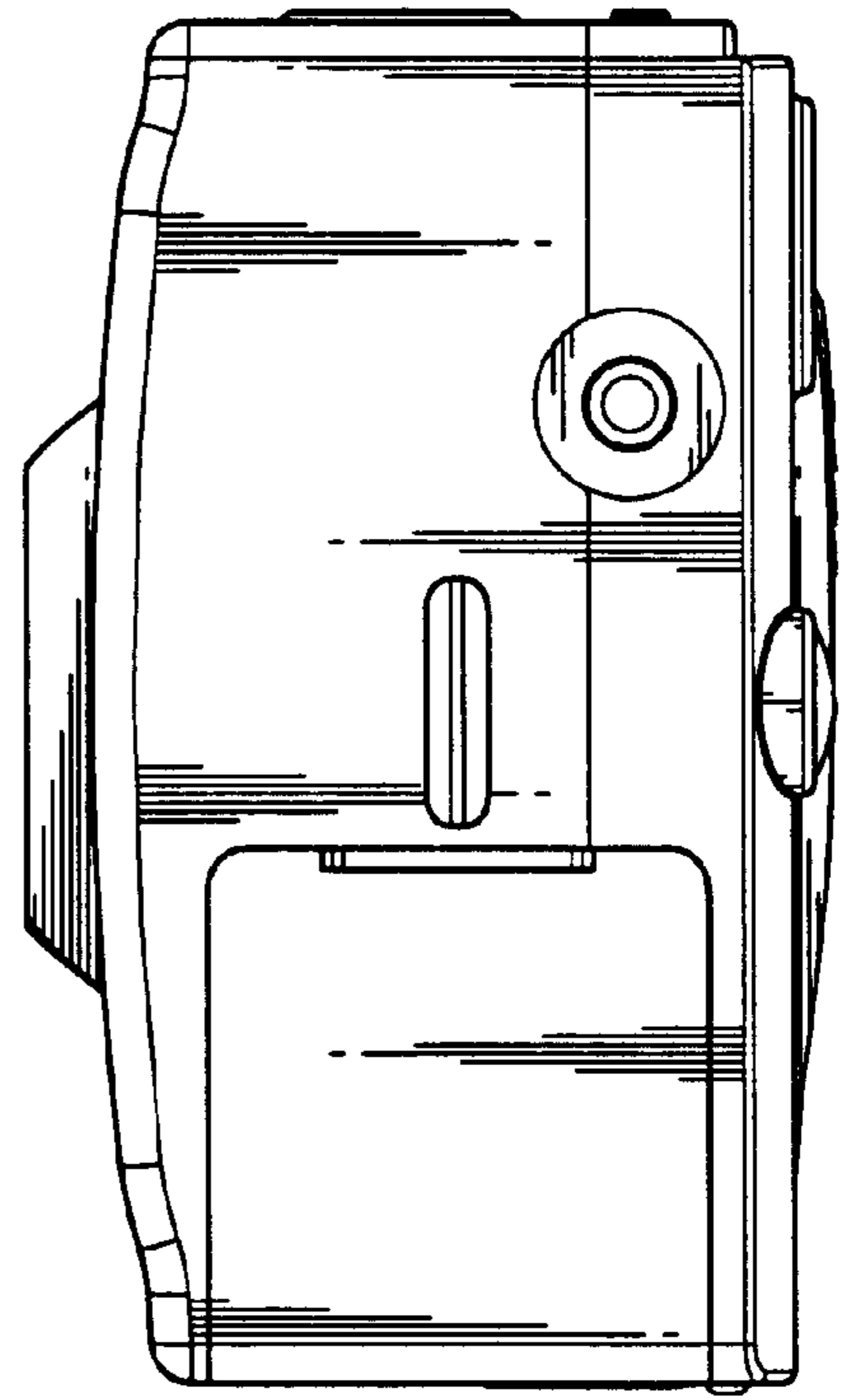
***FIG. 2***



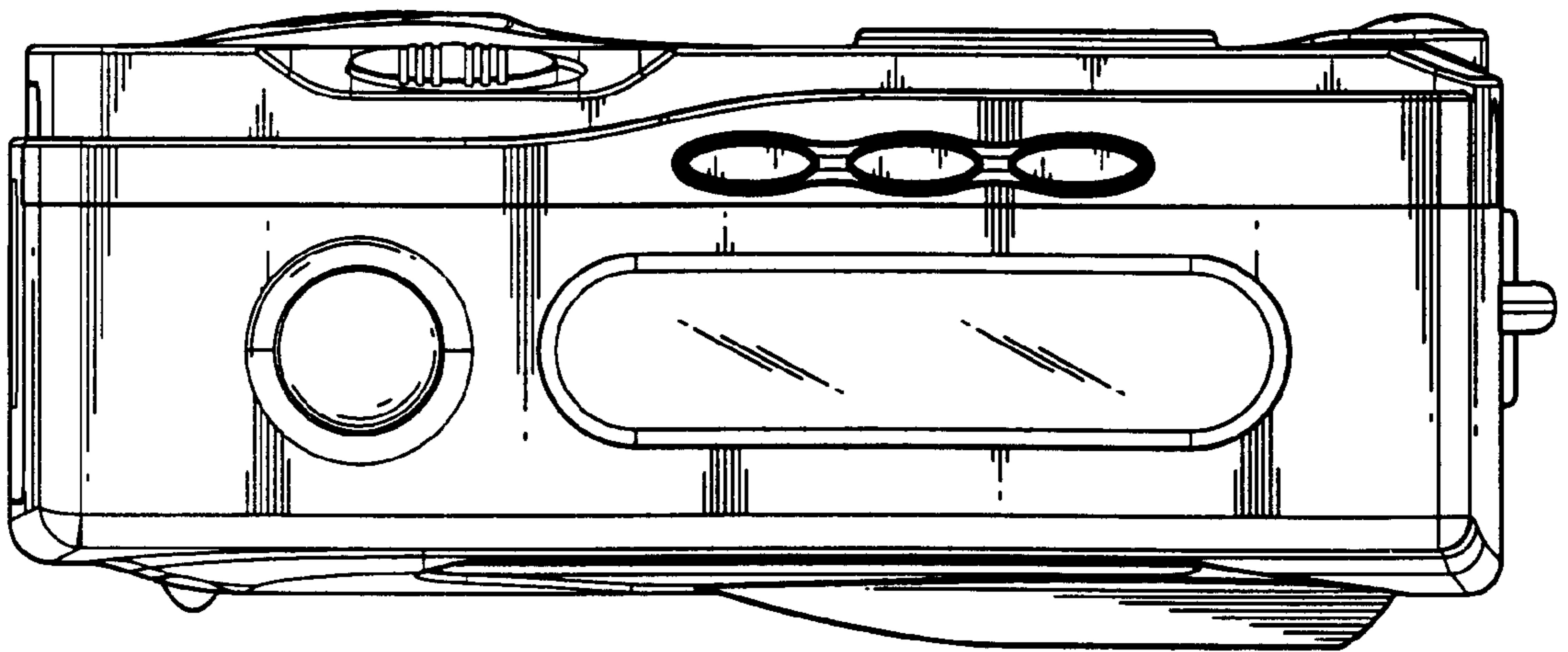
**FIG. 3**



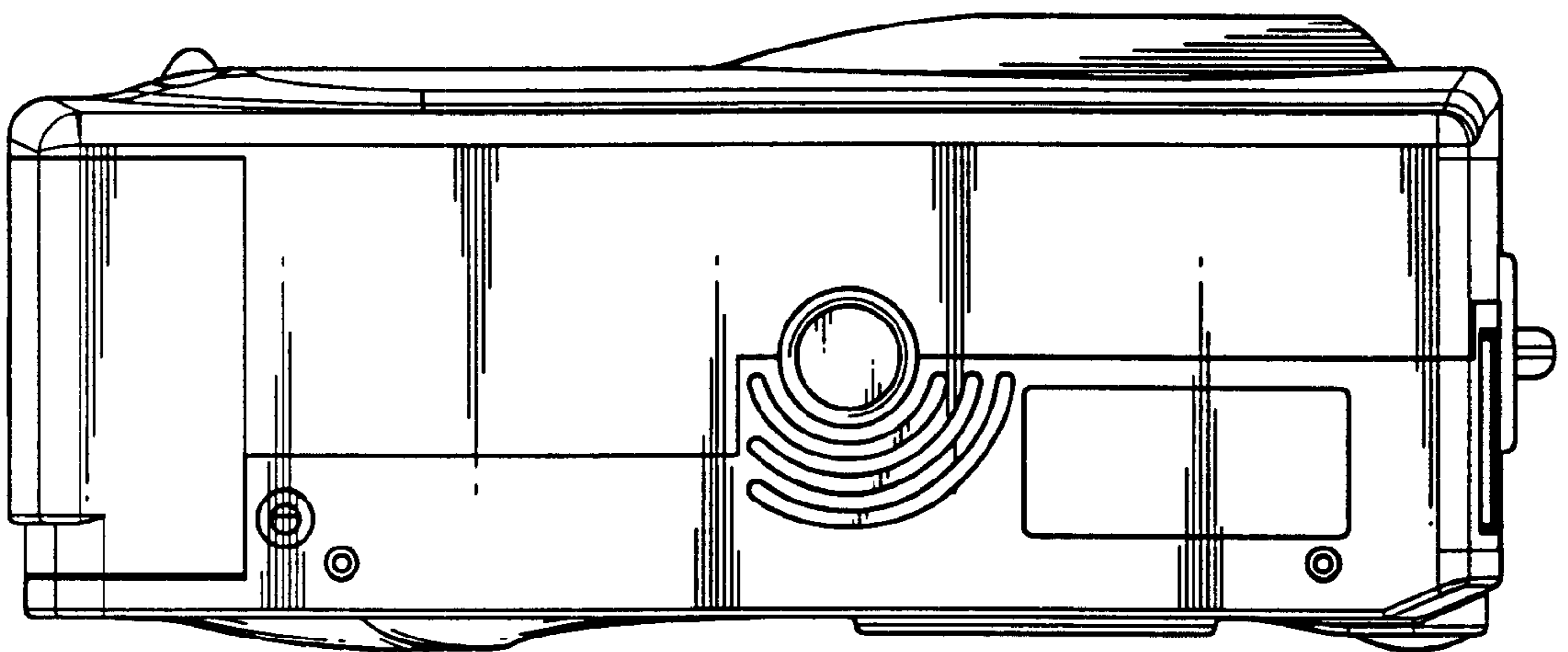
**FIG. 4**



**FIG. 5**



**FIG. 6**



**FIG. 7**