



US00D450726B1

(12) **United States Design Patent**
Menz

(10) **Patent No.:** **US D450,726 S**

(45) **Date of Patent:** **** Nov. 20, 2001**

- (54) **REFRIGERATION UNIT**
- (75) Inventor: **Albert Menz**, New York, NY (US)
- (73) Assignee: **Display Technologies, LLC**, College Point, NY (US)
- (**) Term: **14 Years**
- (21) Appl. No.: **29/127,277**
- (22) Filed: **Aug. 2, 2000**
- (51) **LOC (7) Cl.** **15-07**
- (52) **U.S. Cl.** **D15/81**
- (58) **Field of Search** D15/79, 81, 83, D15/85; D6/449, 451, 454, 470, 481; 312/140.1, 401, 236, 237, 277, 285, 290; 62/258, 331

- 4,603,557 8/1986 Halbmann .
- 5,201,191 4/1993 Bustos .
- 5,301,517 4/1994 Bustos .
- 5,401,092 3/1995 Ady .
- 5,499,513 3/1996 Bustos .
- 5,584,192 12/1996 Bustos .

* cited by examiner

Primary Examiner—Mitchell Siegel

(74) *Attorney, Agent, or Firm*—Amster, Rotherstein & Ebenstein

(57) **CLAIM**

The ornamental design for a refrigeration unit, as shown and described.

DESCRIPTION

FIG. 1 is an isometric view, from the top, front and one side, of a refrigeration unit showing my new design, in a position of use with one door of the unit being shown open and the other door being shown closed;

FIG. 2 is a side elevational view thereof, with both doors closed;

FIG. 3 is a front elevational view thereof;

FIG. 4 is a rear elevational view thereof;

FIG. 5 is a top plan view thereof; and,

FIG. 6 is a bottom plan view thereof.

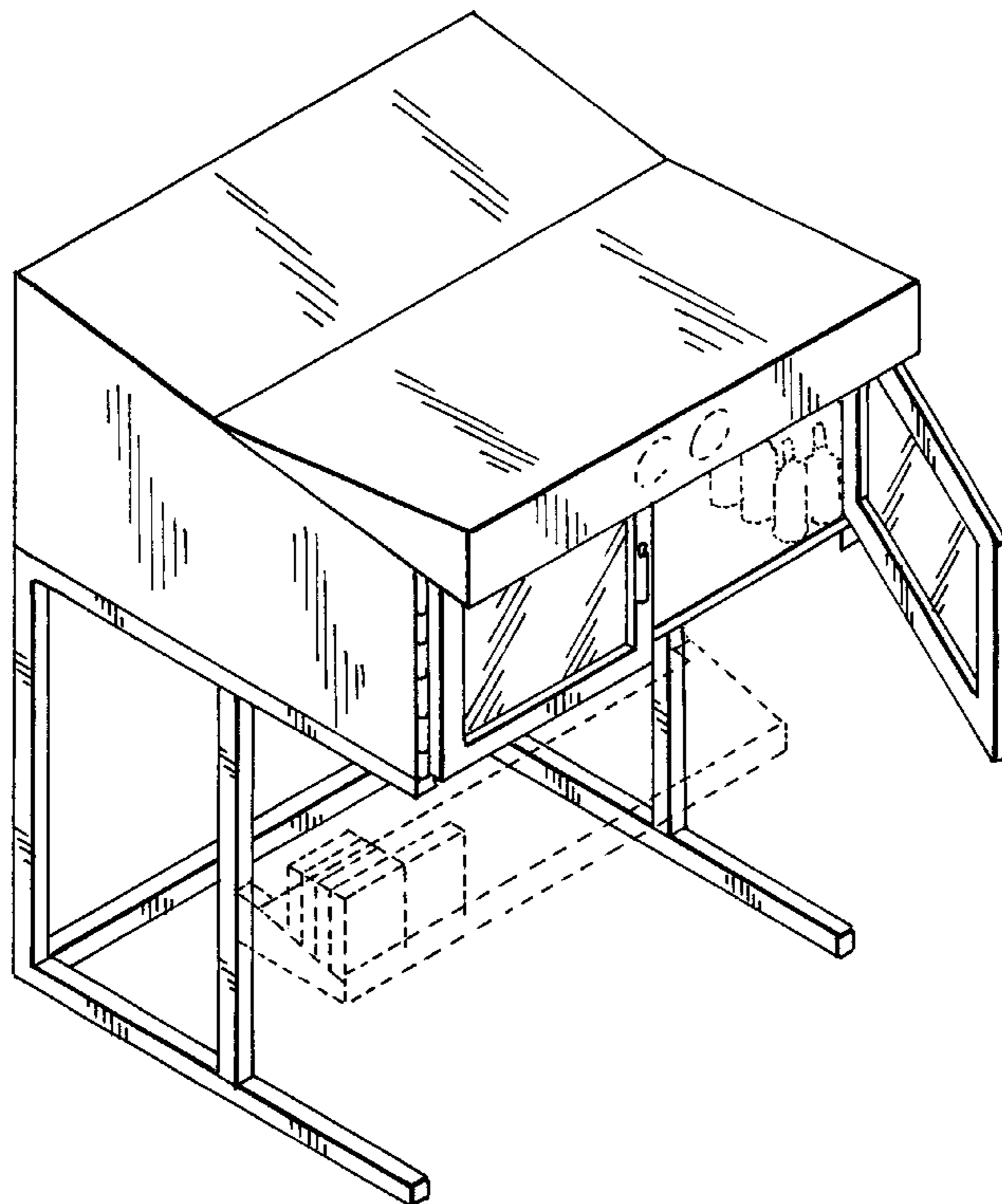
The dashed line depictions of FIG. 1 form no part of the claimed design and indicate only an environment of use.

(56) **References Cited**

U.S. PATENT DOCUMENTS

- D. 103,571 3/1937 Hensey .
- D. 193,287 7/1962 Grafton .
- D. 334,495 4/1993 Bustos .
- D. 357,026 4/1995 Kelemen et al. .
- D. 438,400 * 3/2001 Acheson D15/85
- 1,689,054 10/1928 Samuels .
- 1,718,407 * 6/1929 Buergermeister 312/236
- 1,840,943 1/1932 Gloekler .
- 1,967,058 7/1934 Longstreth .
- 2,503,419 4/1950 Secunde .
- 4,250,955 2/1981 Plattner et al. .

1 Claim, 5 Drawing Sheets



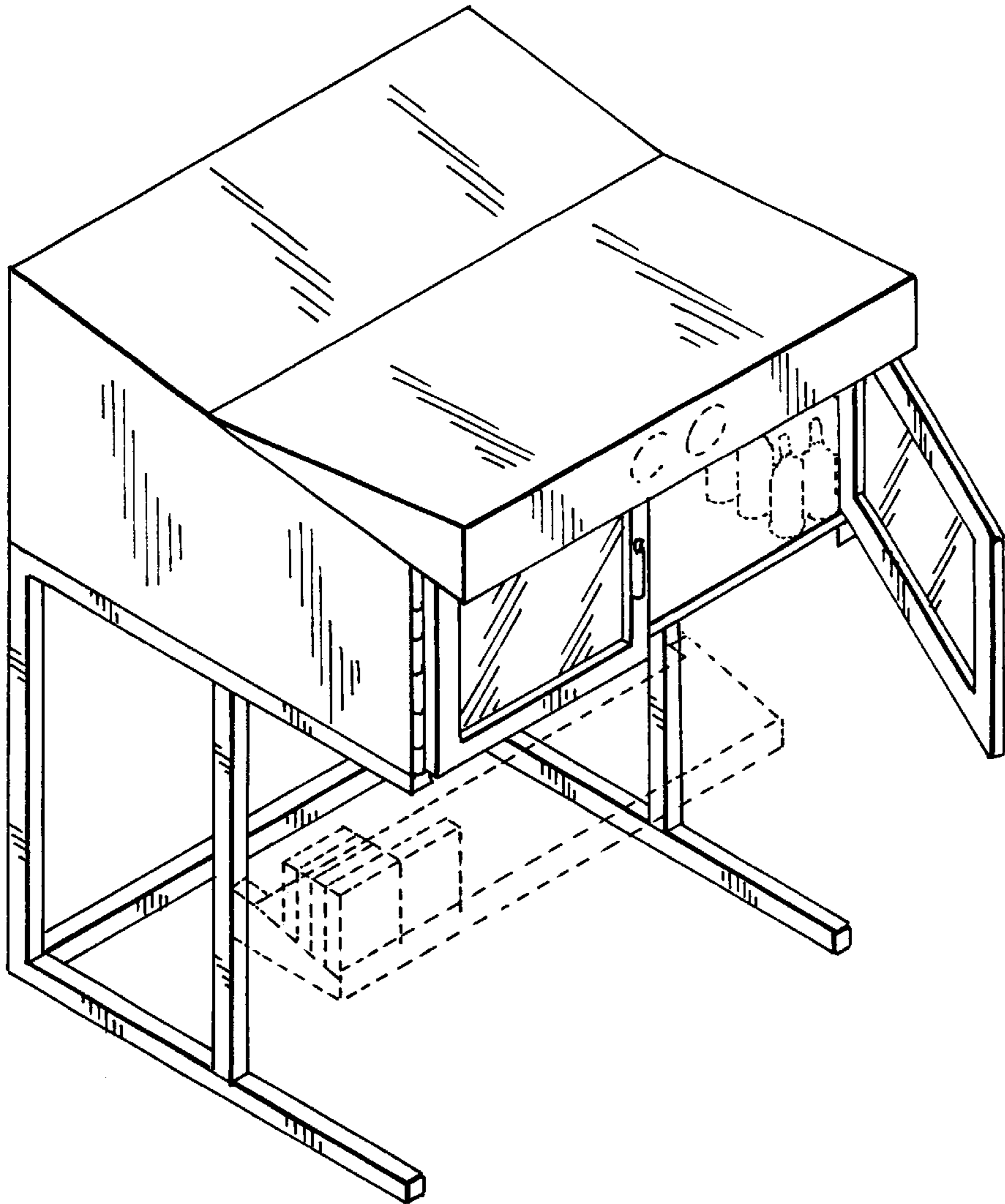


FIG. 1

FIG. 2

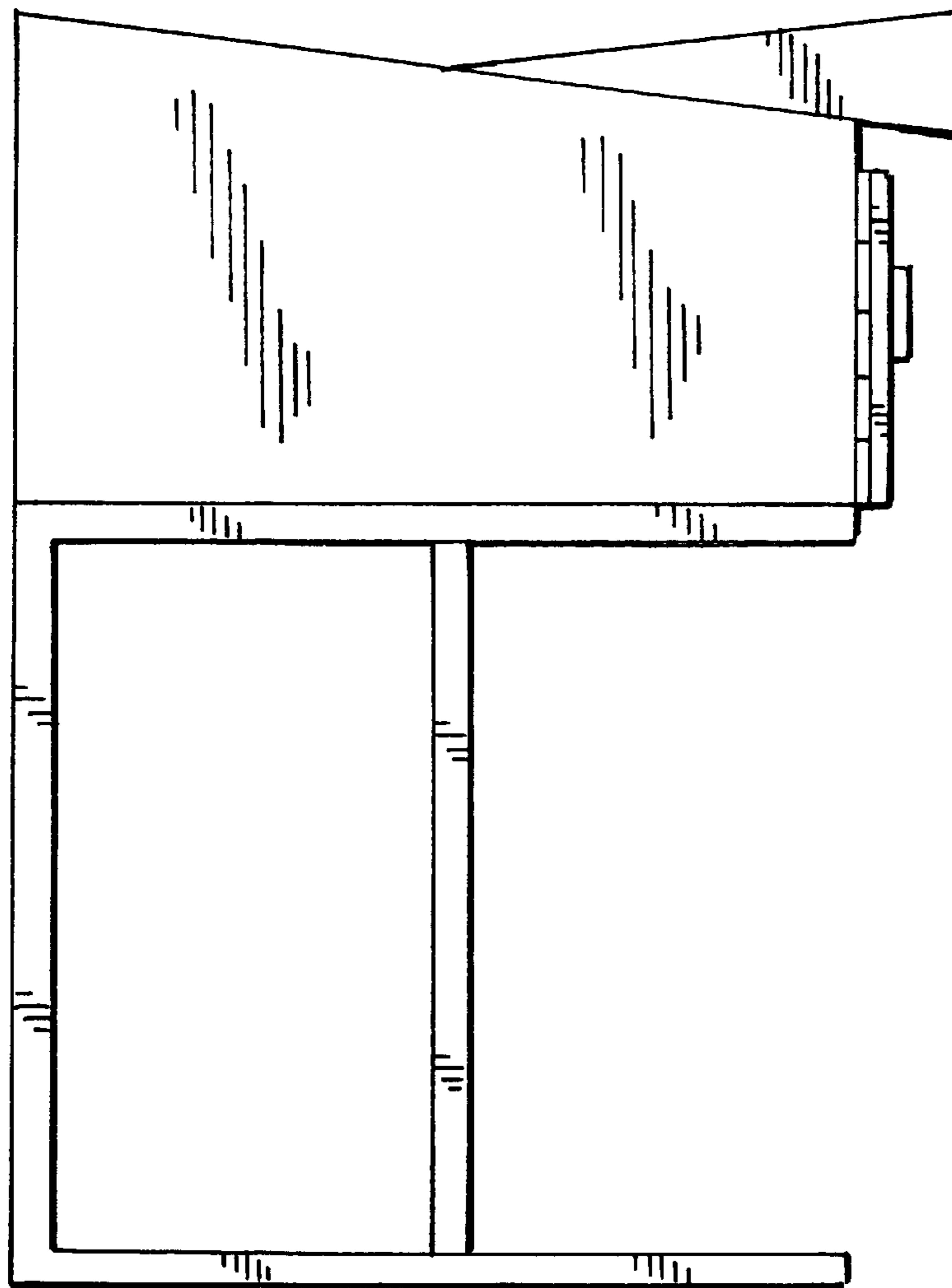


FIG. 3

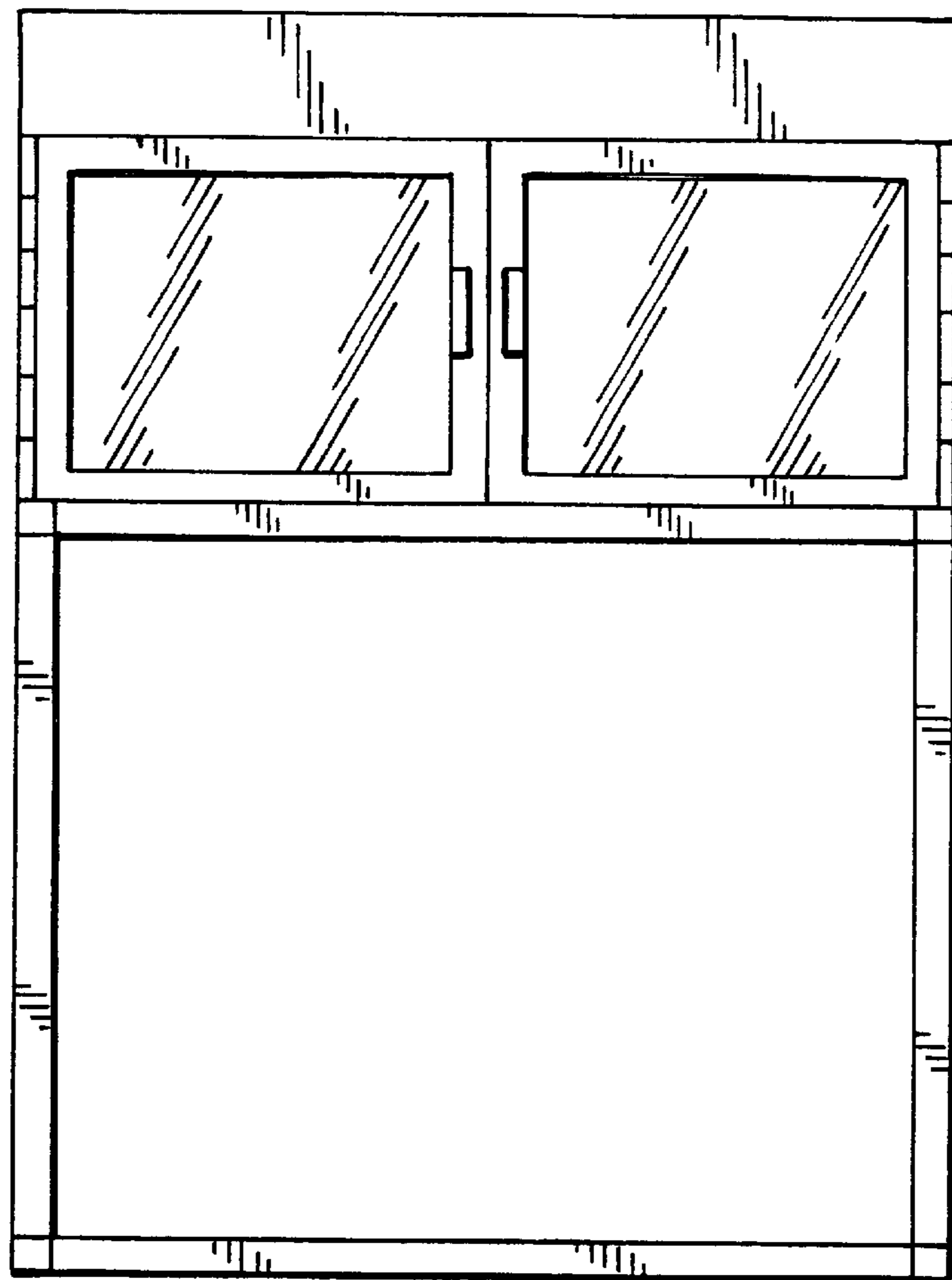


FIG. 4

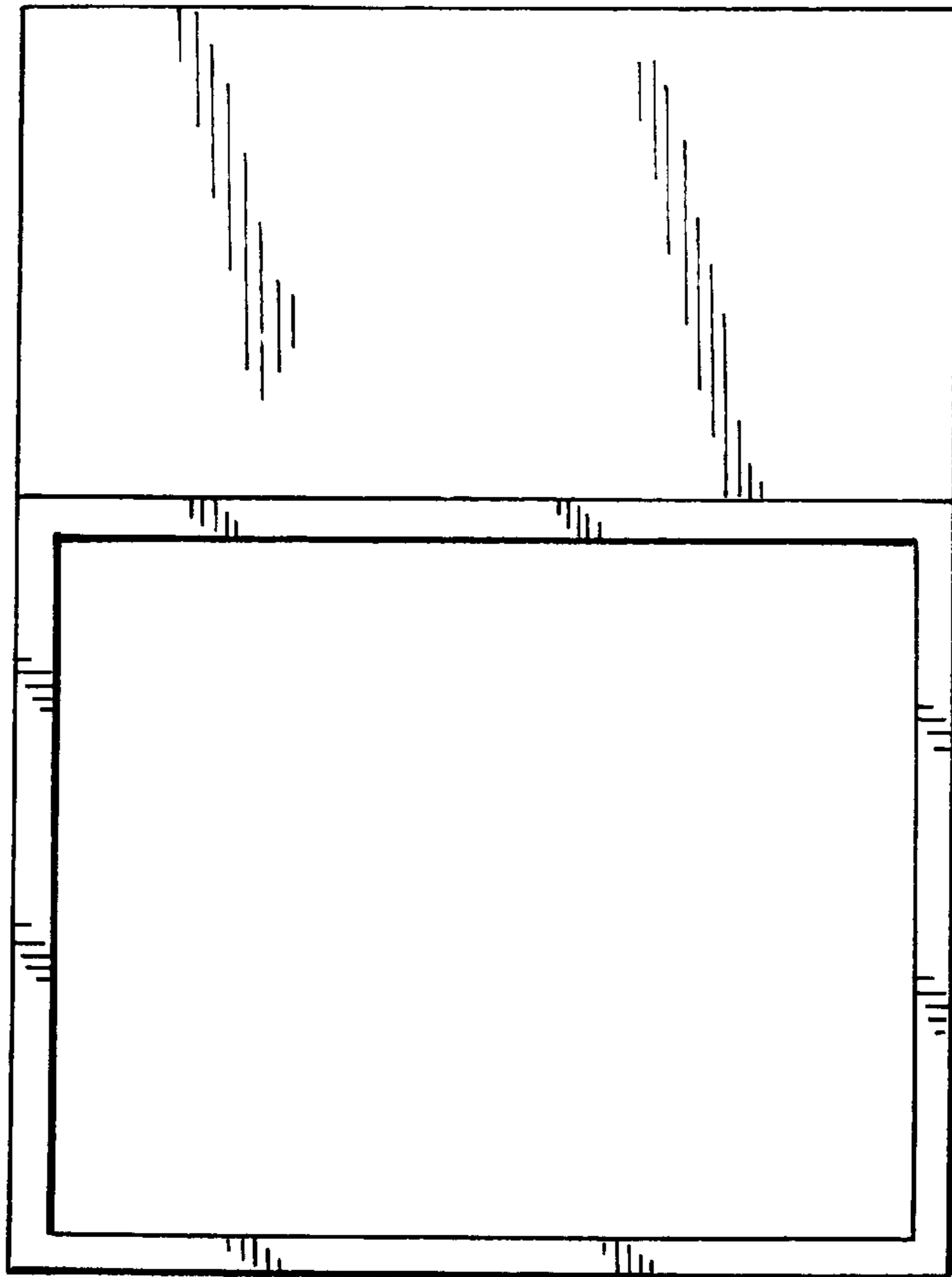


FIG. 5

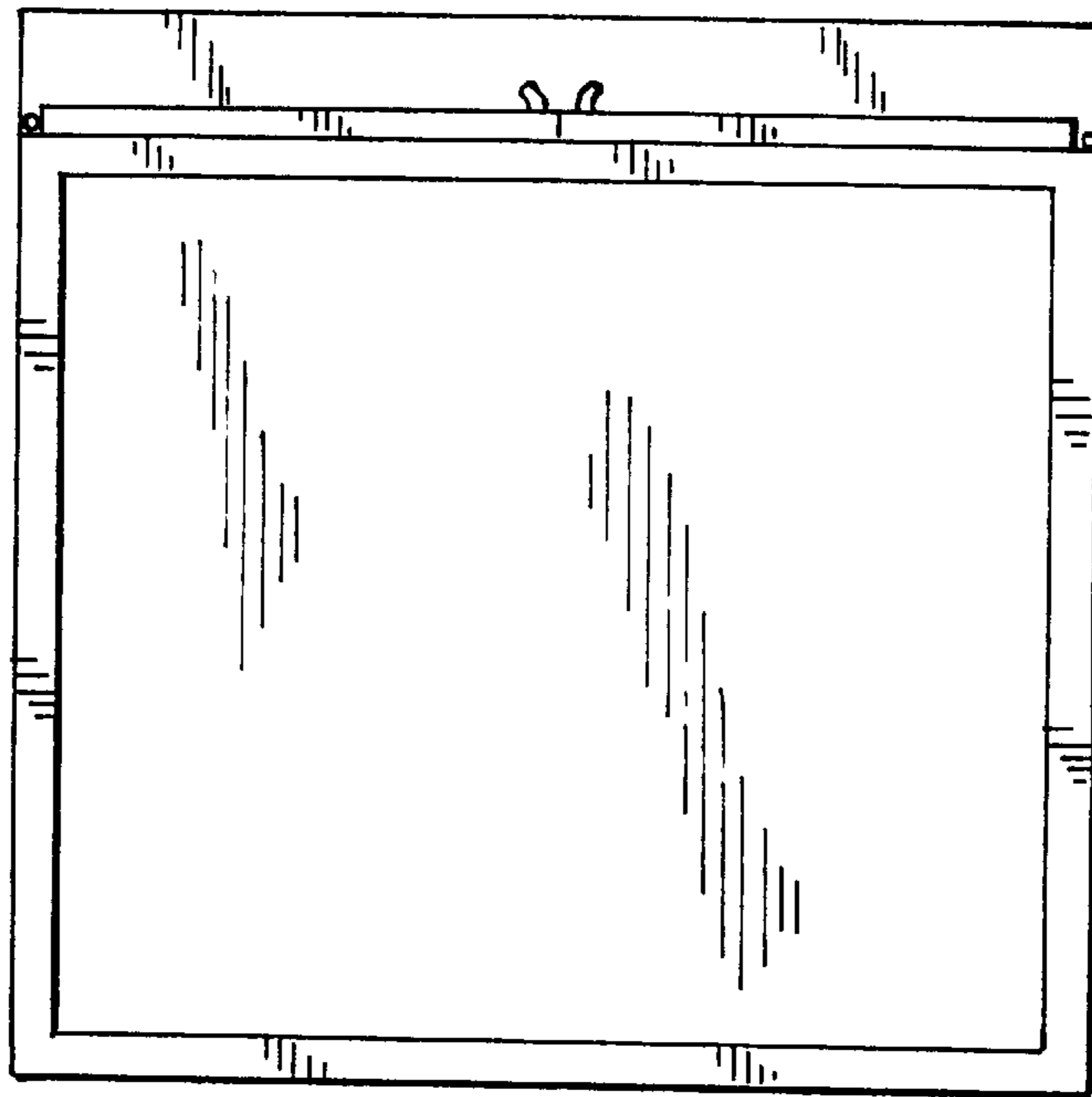
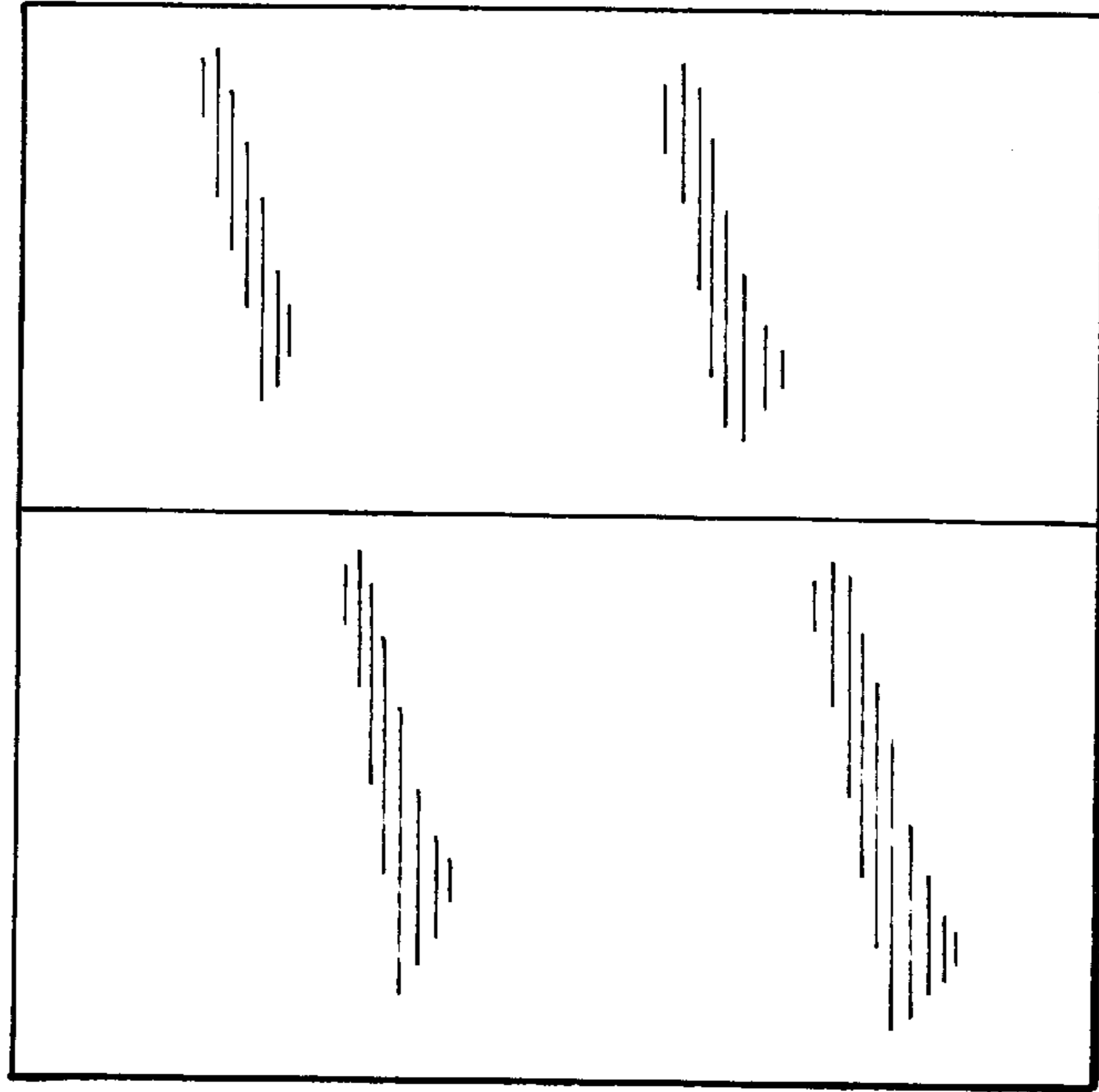


FIG. 6