



US00D450724B1

(12) **United States Design Patent**
Kawaguchi

(10) **Patent No.:** **US D450,724 S**

(45) **Date of Patent:** **** Nov. 20, 2001**

(54) **PRESSER FOOT FOR CONCEALED SLIDE FASTENERS**

(75) Inventor: **Shinichi Kawaguchi**, Tokyo (JP)

(73) Assignee: **Kawaguchi Co., Ltd.**, Tokyo (JP)

(**) Term: **14 Years**

(21) Appl. No.: **29/132,840**

(22) Filed: **Nov. 17, 2000**

(51) **LOC (7) Cl.** **15-06**

(52) **U.S. Cl.** **D15/72**

(58) **Field of Search** D15/69, 72; 112/104,
112/235, 240

(56) **References Cited**

U.S. PATENT DOCUMENTS

D. 211,703	*	7/1968	Carlisle	D15/72
D. 243,555	*	3/1977	Drew	D15/72
D. 296,443	*	6/1988	Griffith	D15/72
D. 336,477	*	6/1993	Rowley	D15/72
3,854,433	*	12/1974	Hanyu	112/235
3,859,939	*	1/1975	Howell	112/235
4,202,285		5/1980	Kanzaka	.	
4,572,088		2/1986	Matsuda	.	
5,515,797	*	5/1996	Janouschek et al.	112/235

* cited by examiner

Primary Examiner—Mitchell Siegel
(74) *Attorney, Agent, or Firm*—Wenderoth, Lind & Ponack, L.L.P.

(57) **CLAIM**

The ornamental design for a presser foot for concealed slide fasteners, as shown in the drawings and described above.

DESCRIPTION

FIG. 1 is a perspective view from the top and left side of a presser foot for concealed slide fasteners when seen before attachment to a sewing machine, showing my new design; FIG. 2 a perspective view from the top and left side thereof when seen after attachment to the sewing machine.

FIG. 3 is a front elevational view thereof;

FIG. 4 is a top plan view thereof;

FIG. 5 is a left side elevational view thereof;

FIG. 6 is a right side elevational view thereof;

FIG. 7 is a bottom plan view thereof; and,

FIG. 8 is a longitudinal section view taken through line vm—vm of FIG. 4.

A rear elevational view thereof not shown appears symmetrical to the front elevational view.

The broken lines showing a part of the sewing machine in FIG. 1 and FIG. 2 are for illustrative purpose only and form no part of the claimed design.

1 Claim, 3 Drawing Sheets

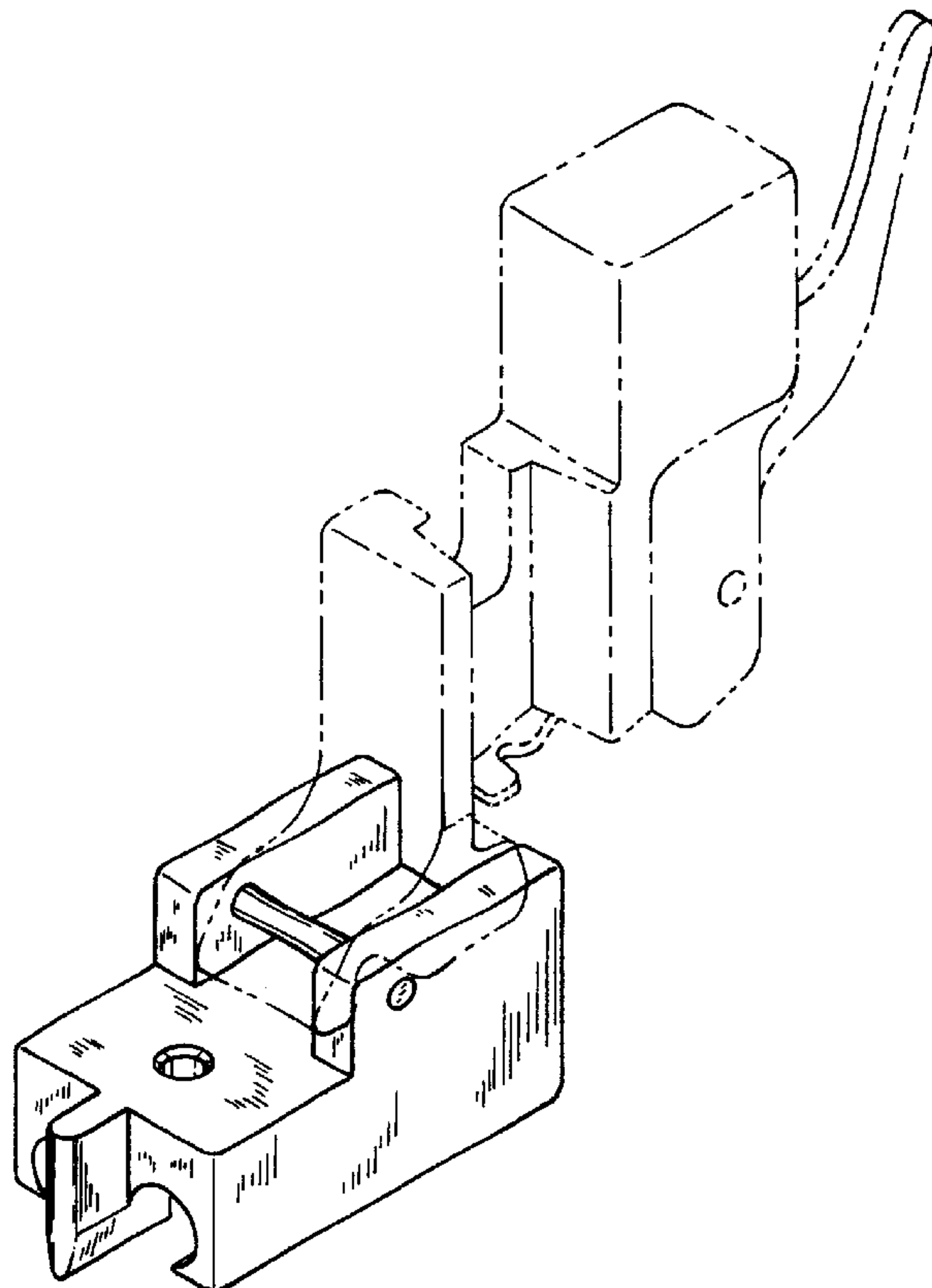


FIG. 1

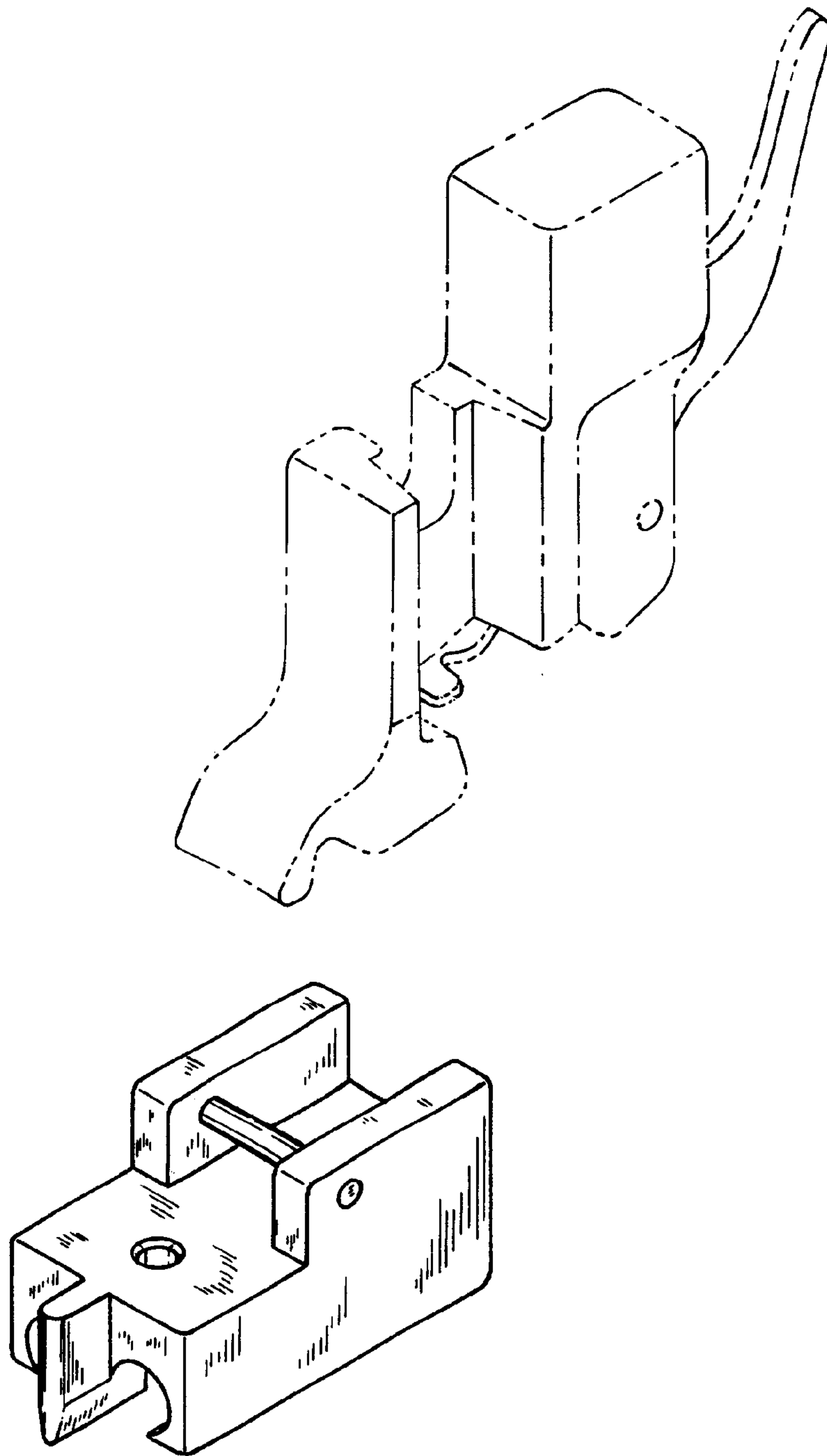


FIG. 2

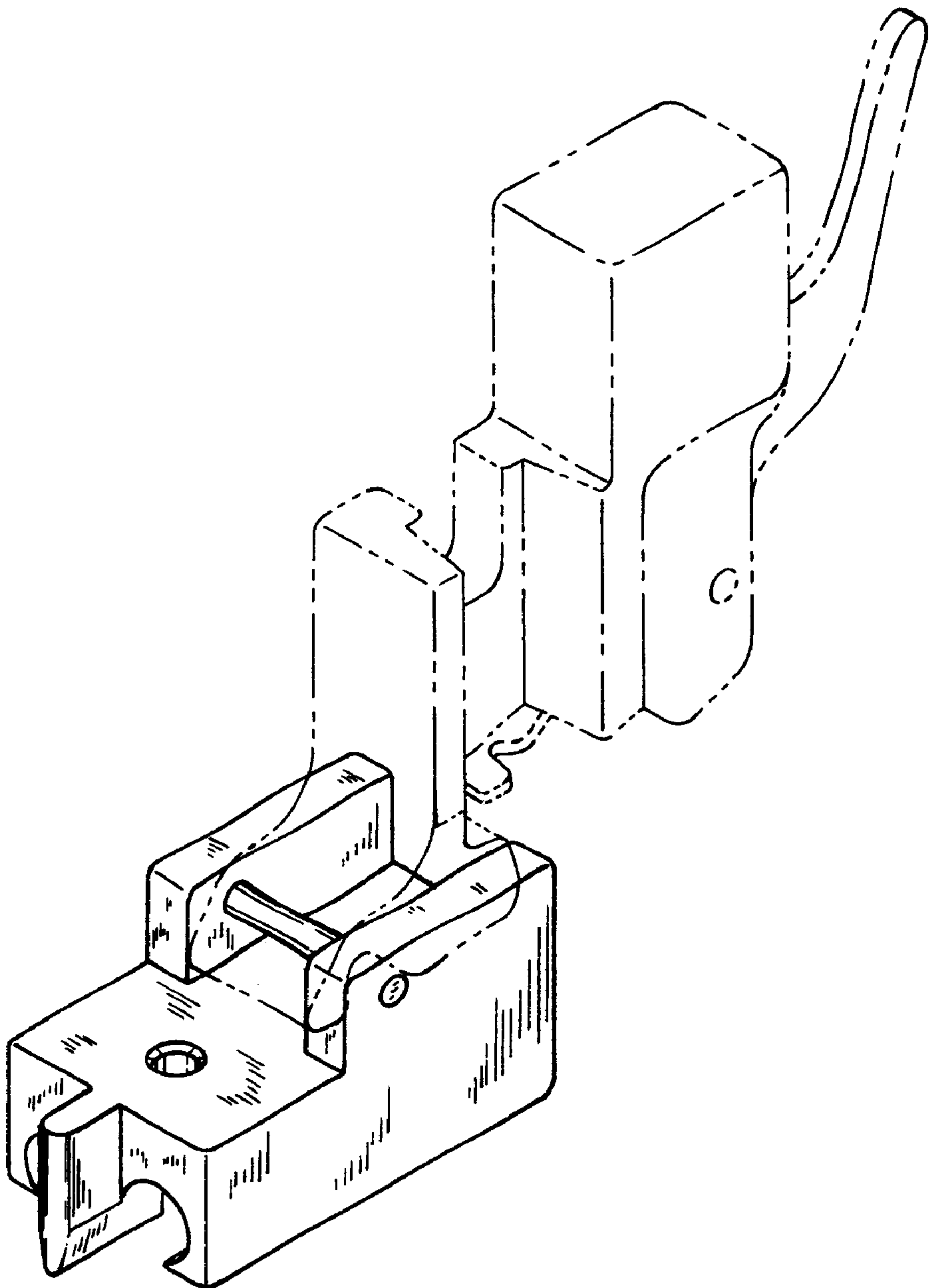


FIG. 3

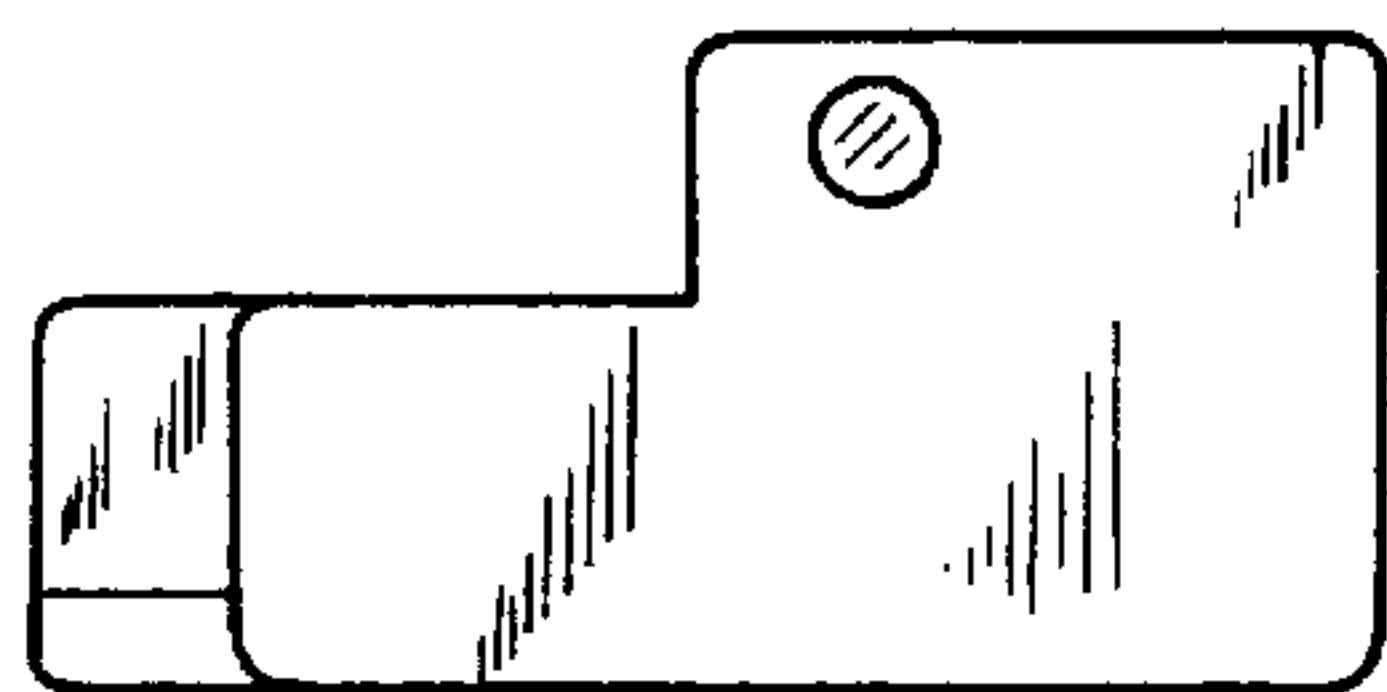


FIG. 4

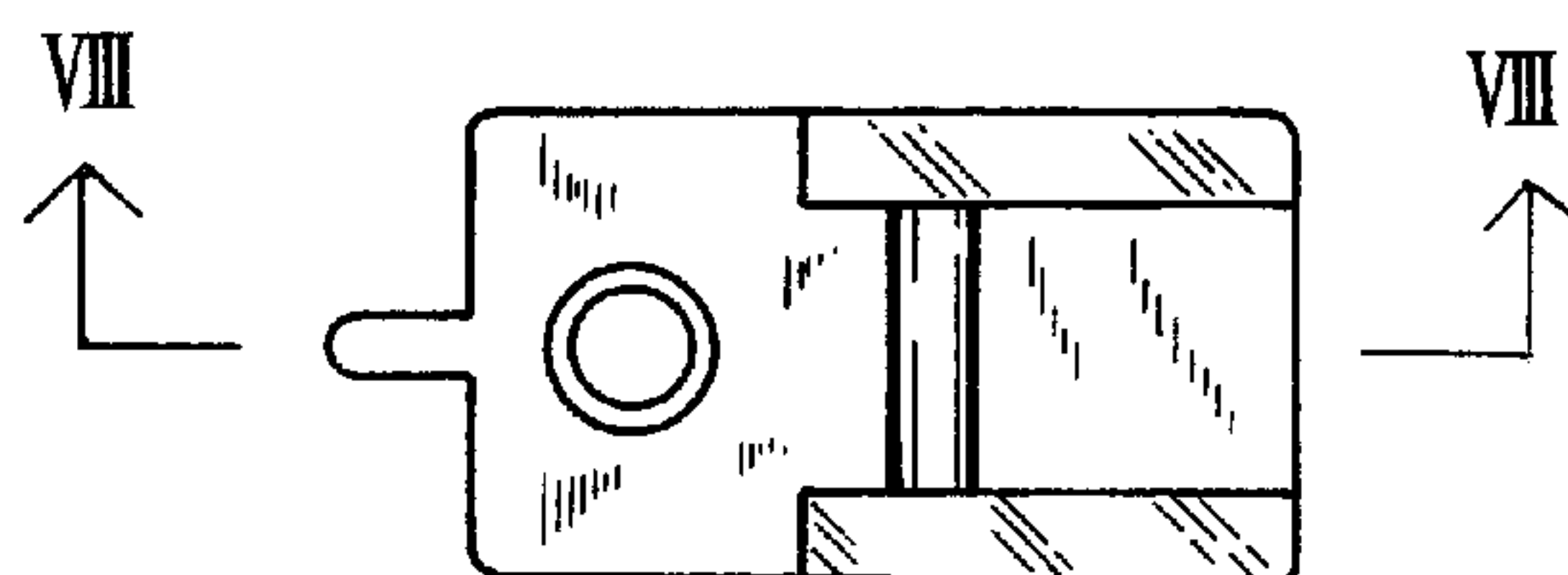


FIG. 5

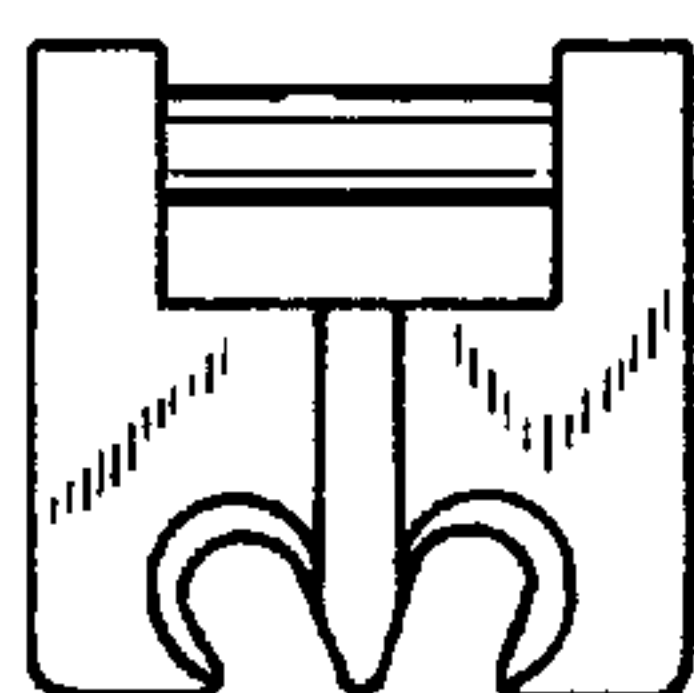


FIG. 6

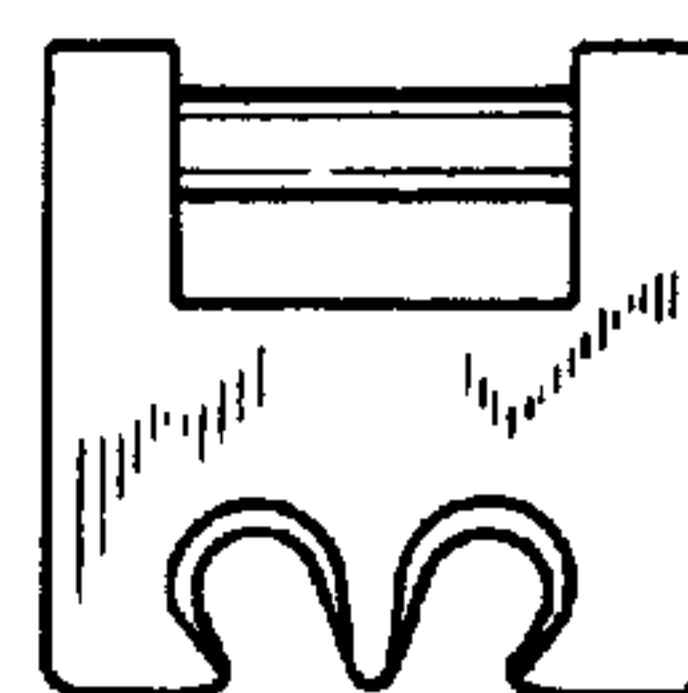


FIG. 7

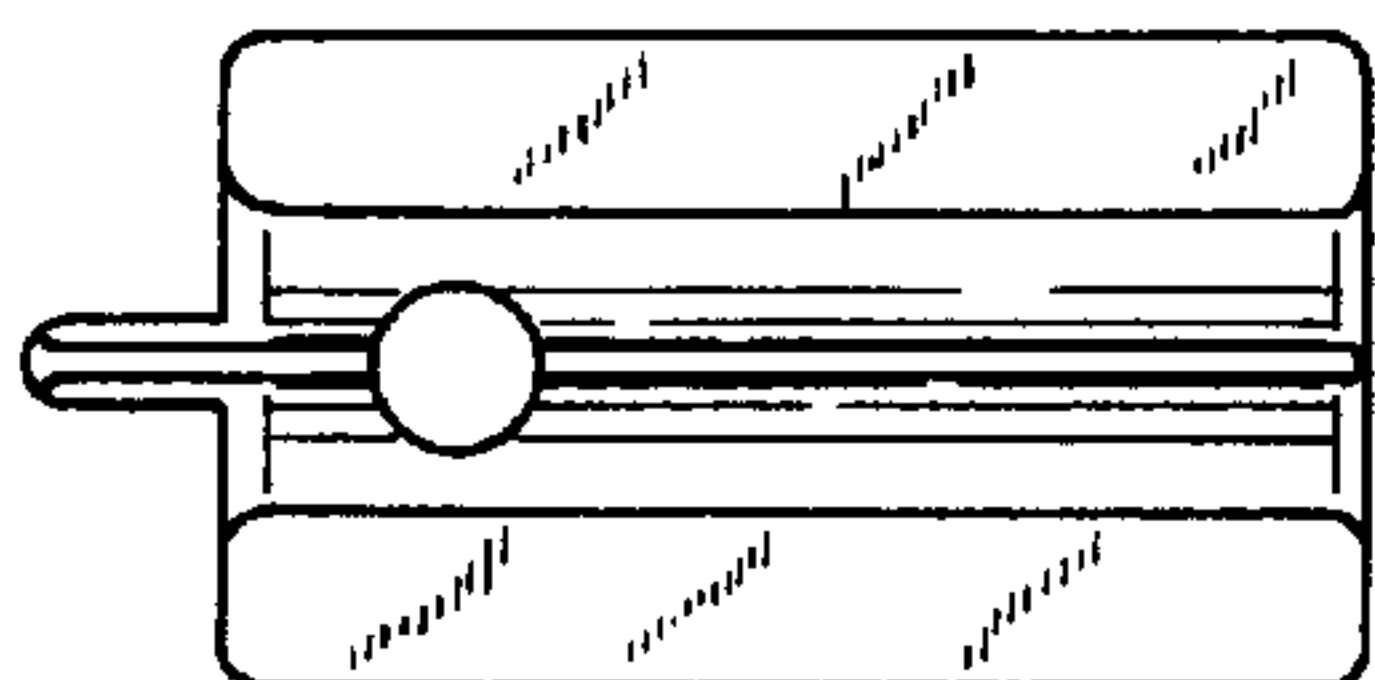


FIG. 8

