



US00D450723B1

(12) **United States Design Patent**
Iwai et al.

(10) **Patent No.:** **US D450,723 S**

(45) **Date of Patent:** **** Nov. 20, 2001**

(54) **SEWING MACHINE**

D. 419,571 * 1/2000 Kao D15/70

(75) Inventors: **Nobuyuki Iwai**, Aichi-ken; **Mitsuharu Hattori**, Nagoya, both of (JP)

* cited by examiner

(73) Assignee: **Brother Industries, Ltd.**, Nagoya (JP)

Primary Examiner—Mitchell Siegel

(74) *Attorney, Agent, or Firm*—Oliff & Berridge, PLC

(**) Term: **14 Years**

(57) **CLAIM**

(21) Appl. No.: **29/126,446**

The ornamental design for sewing machine, as shown and described.

(22) Filed: **Jul. 18, 2000**

(30) **Foreign Application Priority Data**

DESCRIPTION

Mar. 29, 2000 (JP) 12-007752

FIG. 1 is a perspective view of the sewing machine;

(51) **LOC (7) Cl.** **15-06**

FIG. 2 is a front view thereof;

(52) **U.S. Cl.** **D15/70**

FIG. 3 is a rear view thereof;

(58) **Field of Search** D15/69-76; 112/63,
112/258-261, 217.1-219.4, 444

FIG. 4 is a left side view thereof;

FIG. 5 is a right side view thereof;

FIG. 6 is a top view thereof; and,

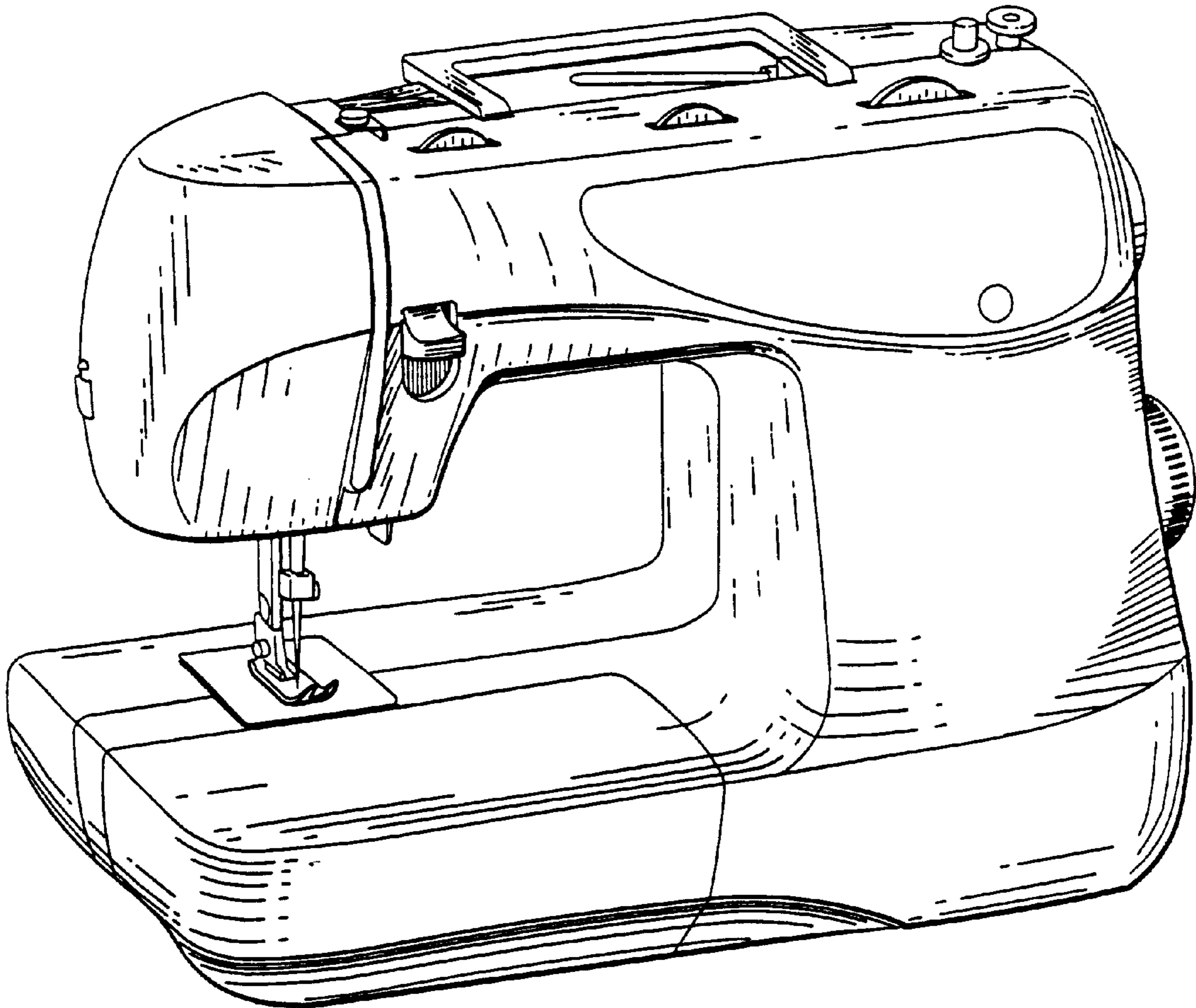
FIG. 7 is a bottom view thereof.

(56) **References Cited**

U.S. PATENT DOCUMENTS

D. 300,832 * 4/1989 Kuroki D15/70

1 Claim, 6 Drawing Sheets



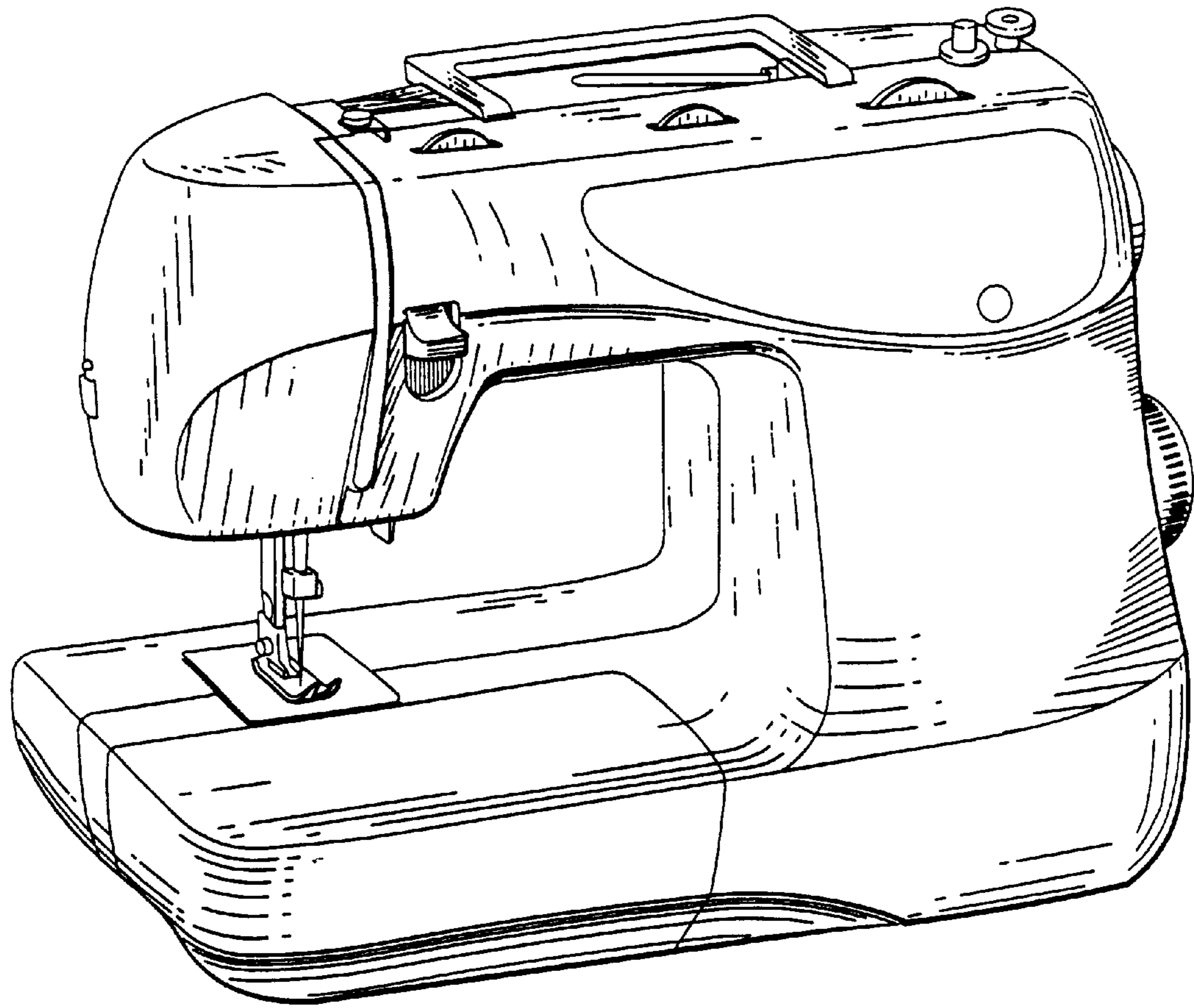


Fig. 1

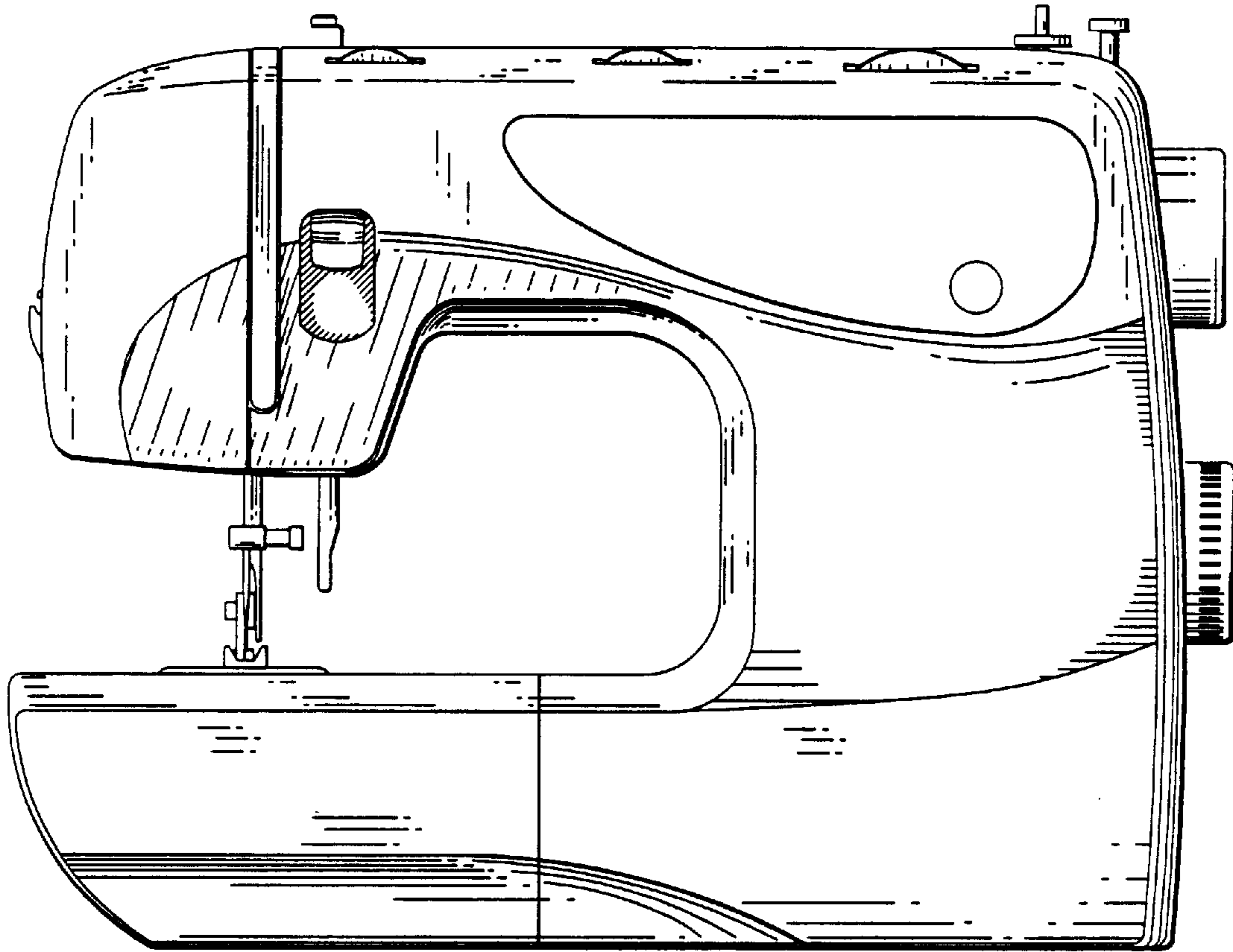


Fig. 2

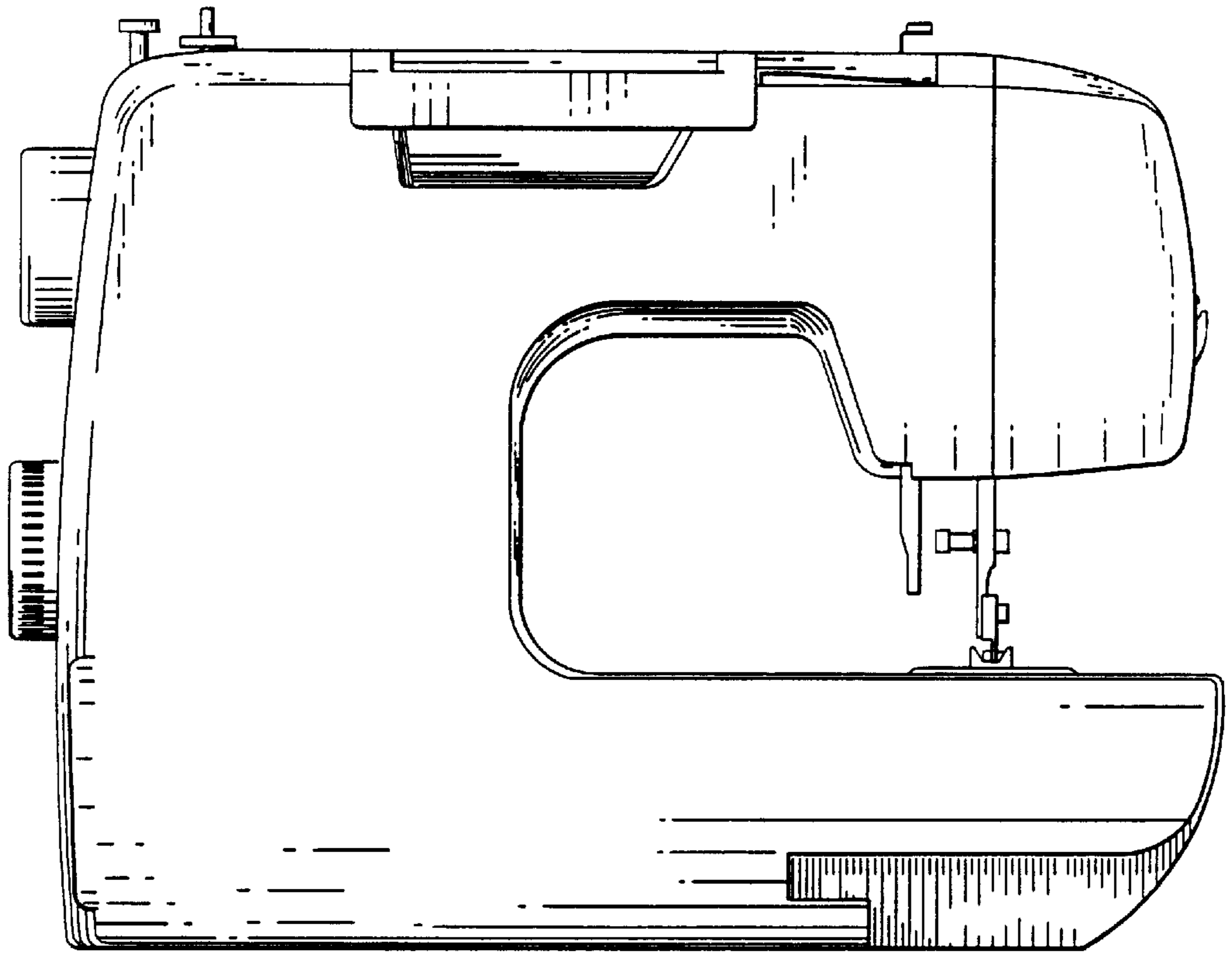


Fig. 3

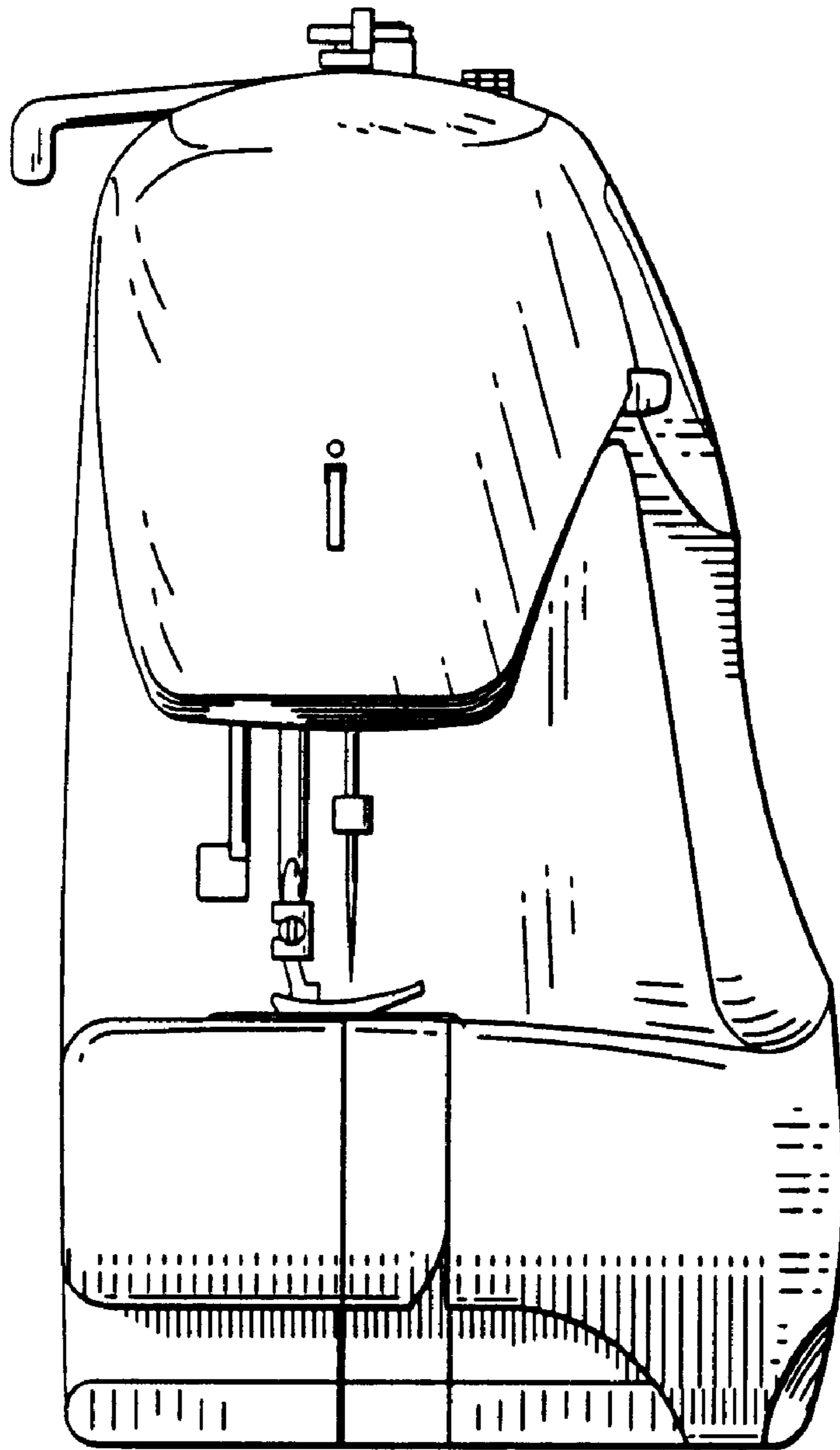


Fig. 4

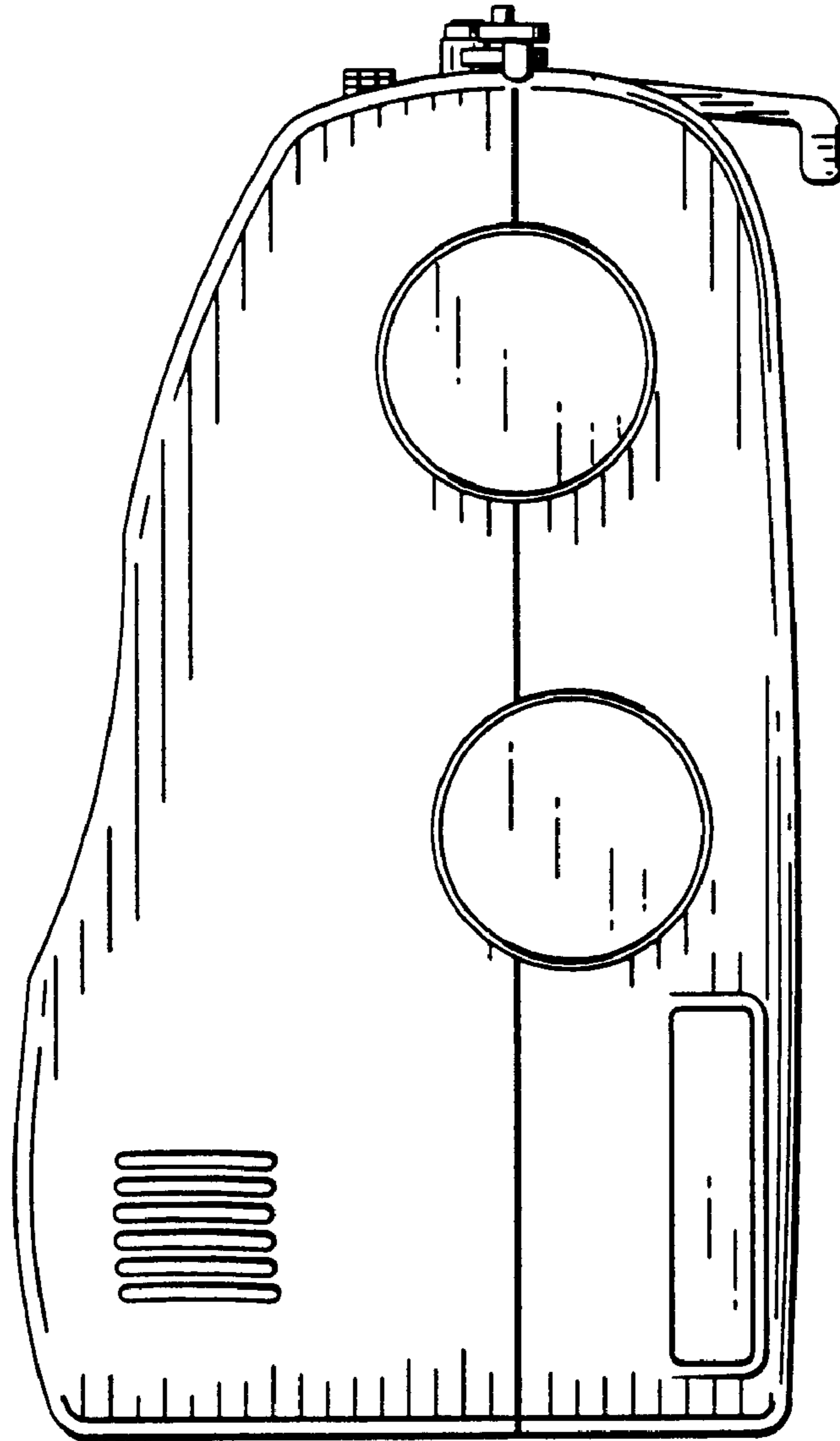


Fig. 5

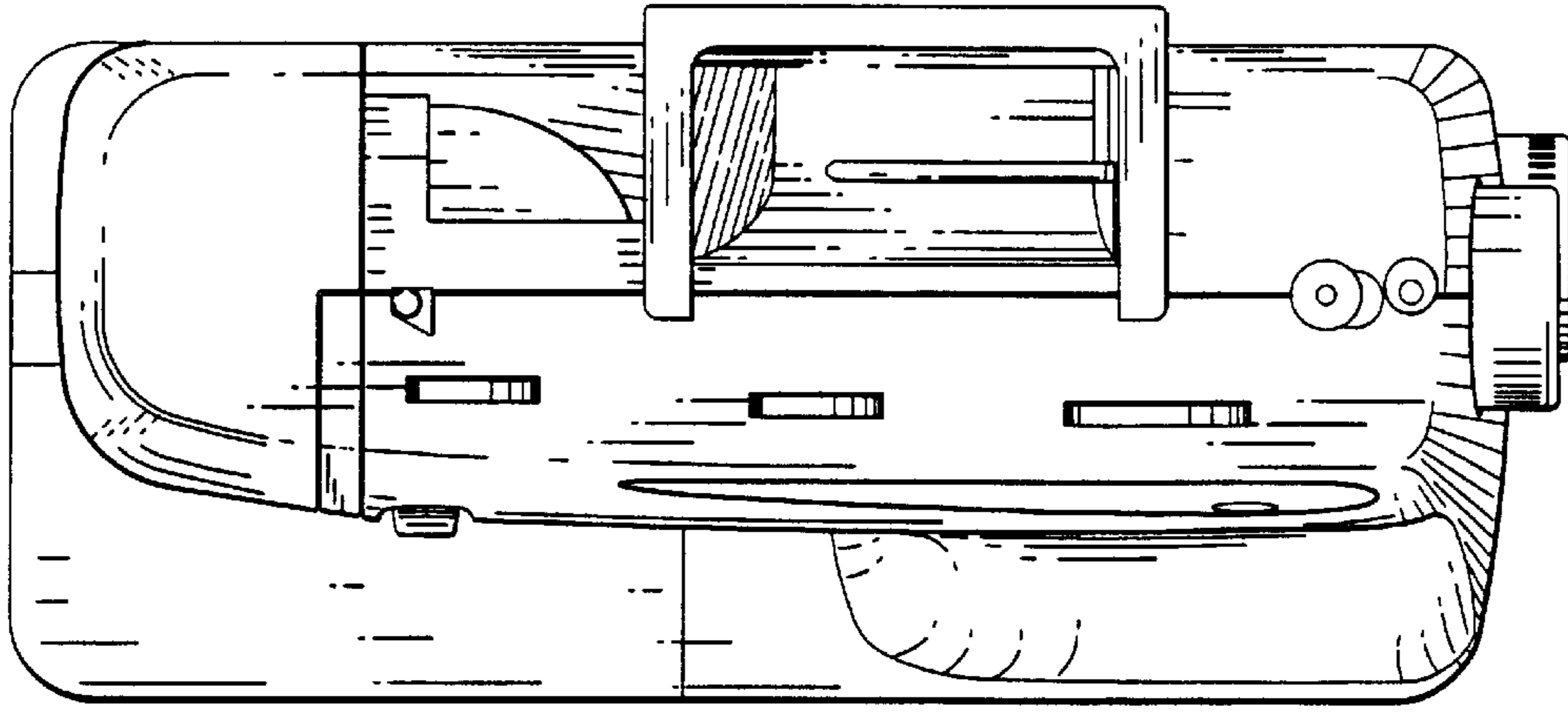


Fig. 6

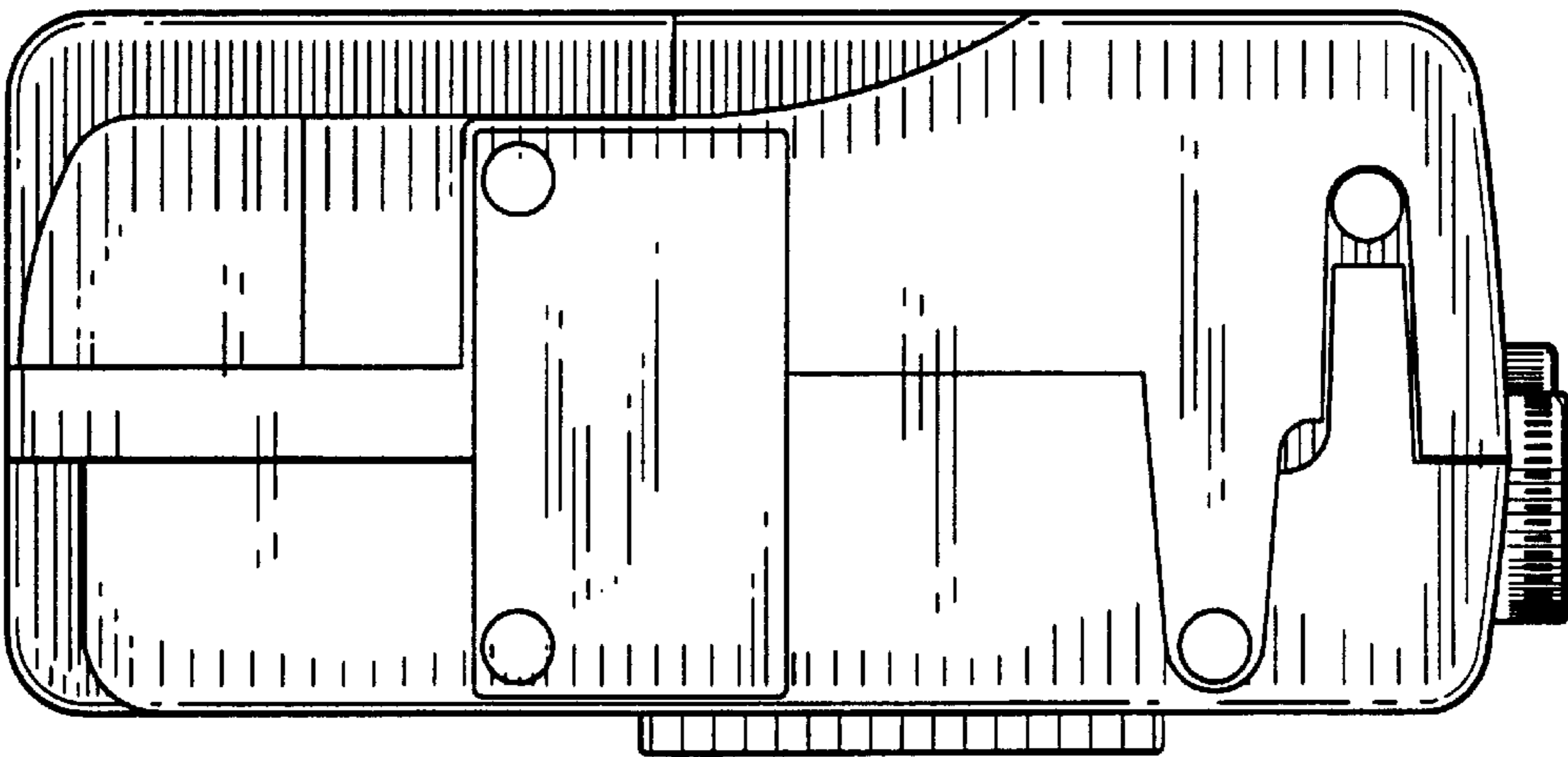


Fig. 7