



US00D450721B1

(12) **United States Design Patent**
Kawaguchi

(10) **Patent No.:** **US D450,721 S**

(45) **Date of Patent:** **** Nov. 20, 2001**

(54) **SEWING MACHINE**

(75) **Inventor:** **Kiyomi Kawaguchi, Tokyo (JP)**

(73) **Assignee:** **Janome Sewing Machine Company Limited, Tokyo (JP)**

(**) **Term:** **14 Years**

(21) **Appl. No.:** **29/131,929**

(22) **Filed:** **Oct. 31, 2000**

(30) **Foreign Application Priority Data**

Jun. 29, 2000 (JP) 12-017647

(51) **LOC (7) Cl.** **15-06**

(52) **U.S. Cl.** **D15/69**

(58) **Field of Search** D15/69-76; 112/63,
112/258-261, 217.1-219.4, 444

(56) **References Cited**

U.S. PATENT DOCUMENTS

- D. 309,739 * 8/1990 Itoh et al. D15/69
- D. 321,518 * 11/1991 Uchida D15/69
- D. 338,021 * 8/1993 Uchida D15/69

- D. 338,022 * 8/1993 Takada et al. D15/69
- D. 372,720 * 8/1996 Hattori et al. D15/69
- D. 377,357 * 1/1997 Tseng D15/69
- D. 392,294 * 3/1998 Kato et al. D15/69
- D. 404,403 * 1/1999 Uchida D15/69

* cited by examiner

Primary Examiner—Mitchell Siegel

(74) *Attorney, Agent, or Firm*—Jacobson Holman, PLLC

(57) **CLAIM**

The ornamental design for a sewing machine, as shown and described.

DESCRIPTION

FIG. 1 is a front side view showing my new design for a sewing machine,
 FIG. 2 is a rear side view thereof;
 FIG. 3 is a left side view thereof;
 FIG. 4 is a right side view thereof;
 FIG. 5 is a top plan view thereof;
 FIG. 6 is a bottom view thereof; and,
 FIG. 7 is a perspective view thereof.

1 Claim, 4 Drawing Sheets

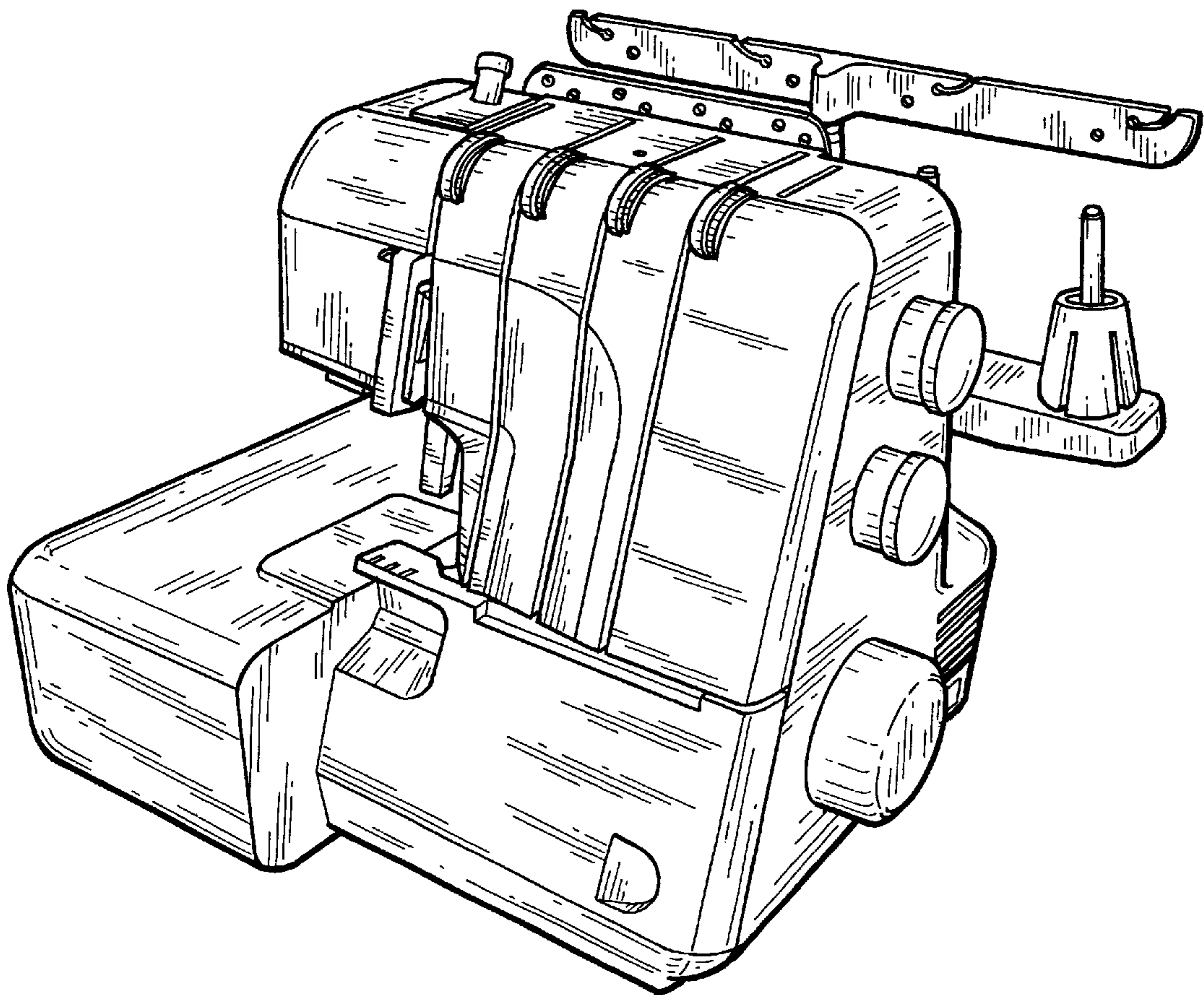


FIG. 1

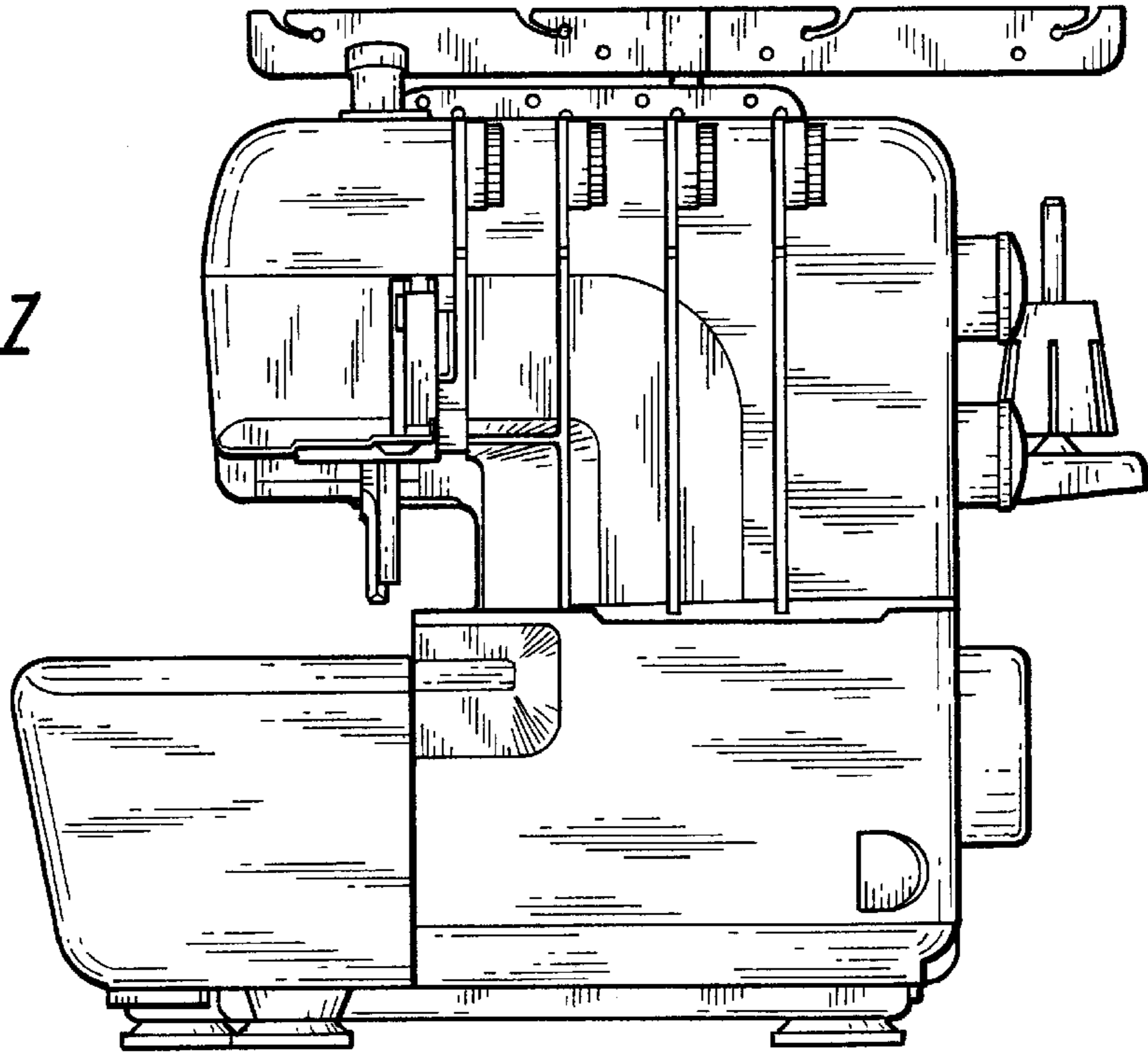
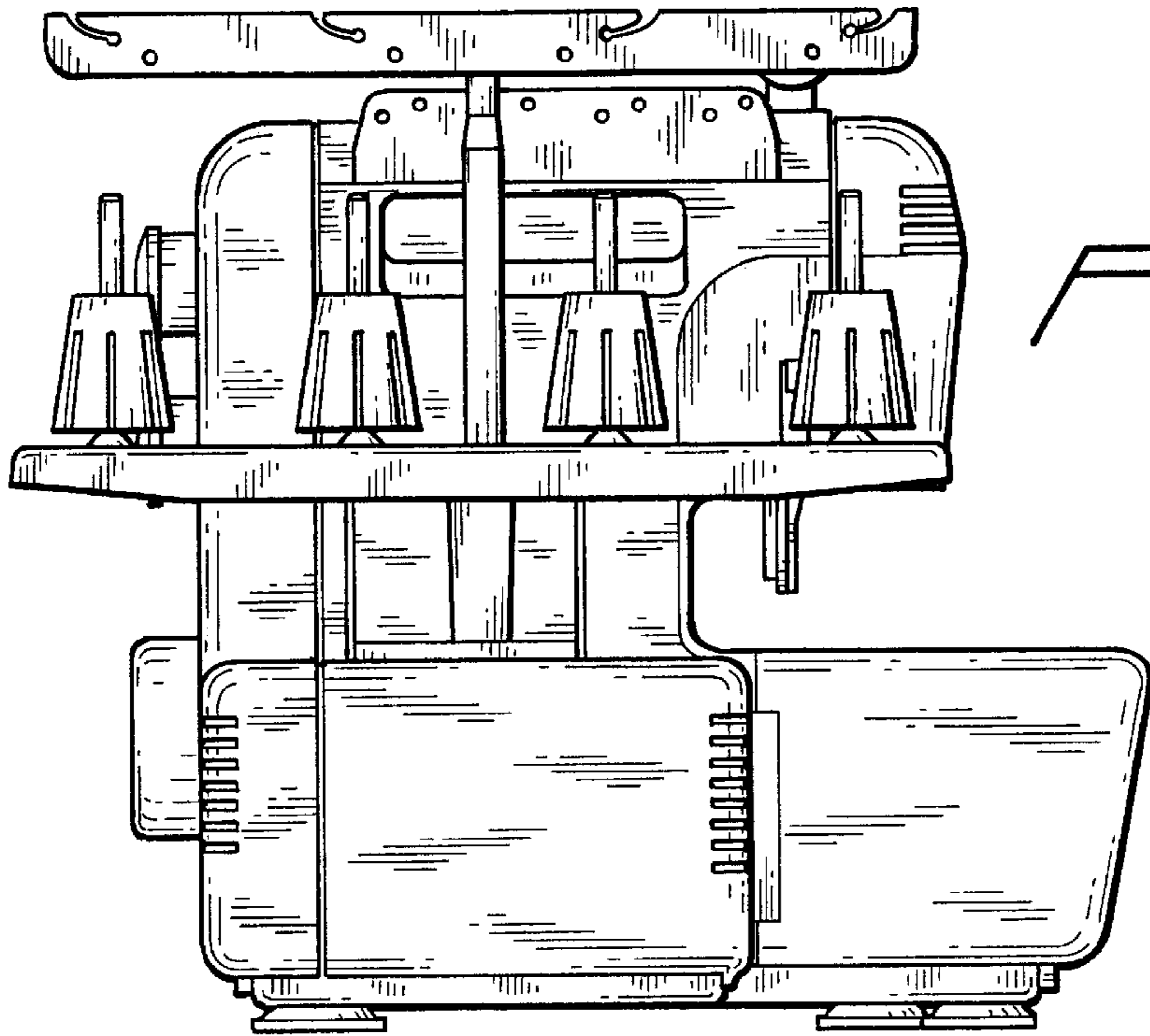


FIG. 2



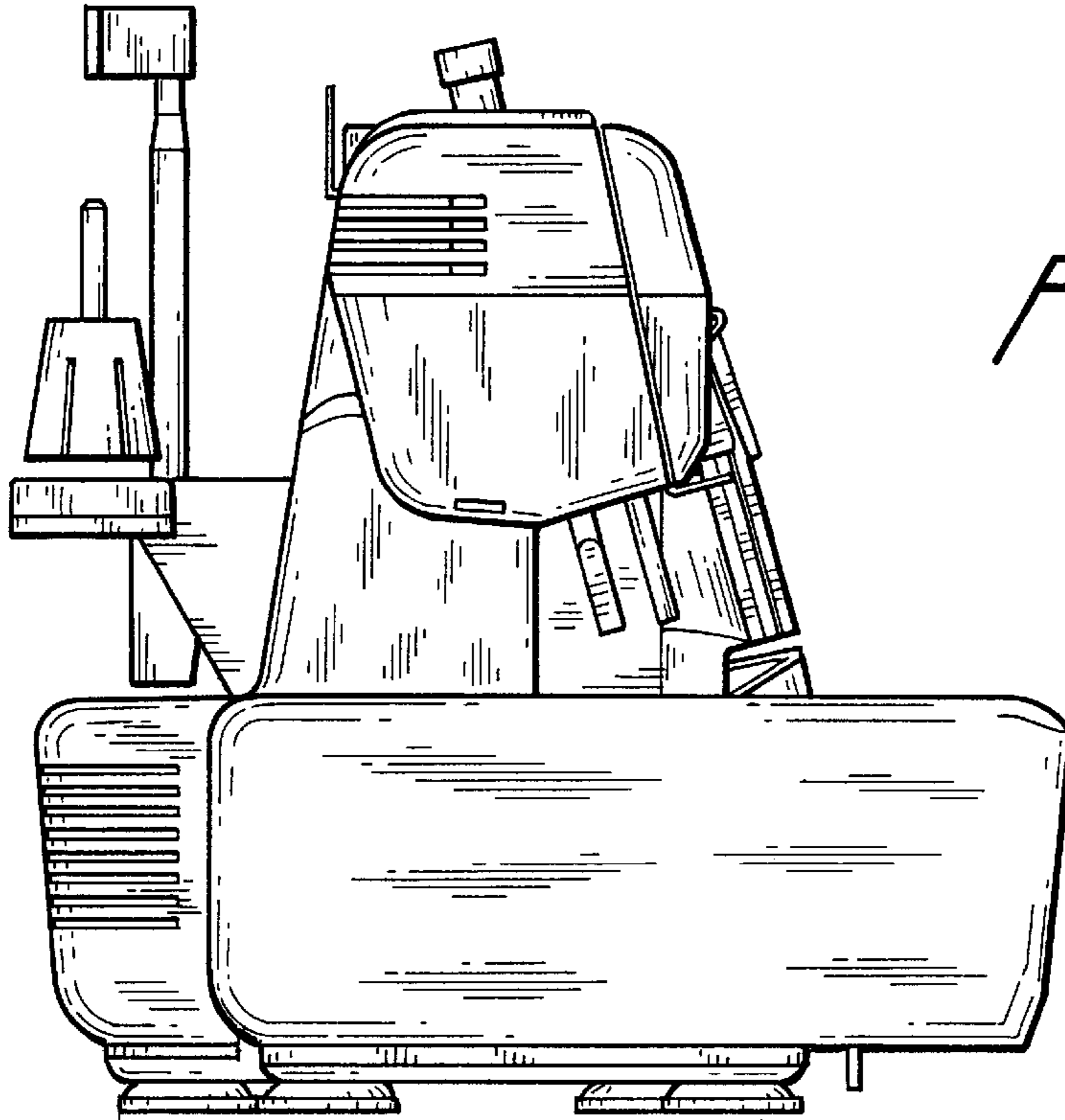


FIG. 3

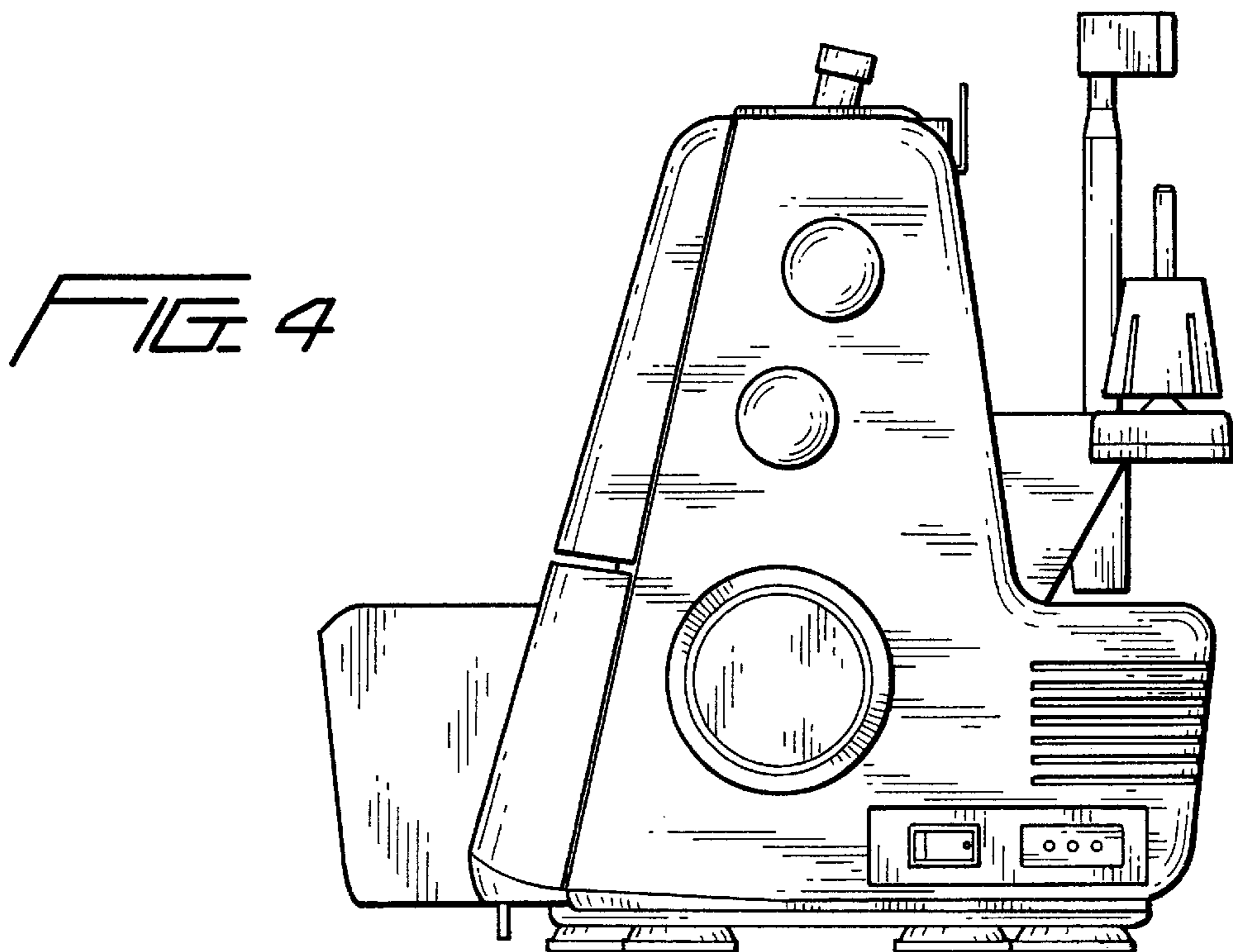


FIG. 4

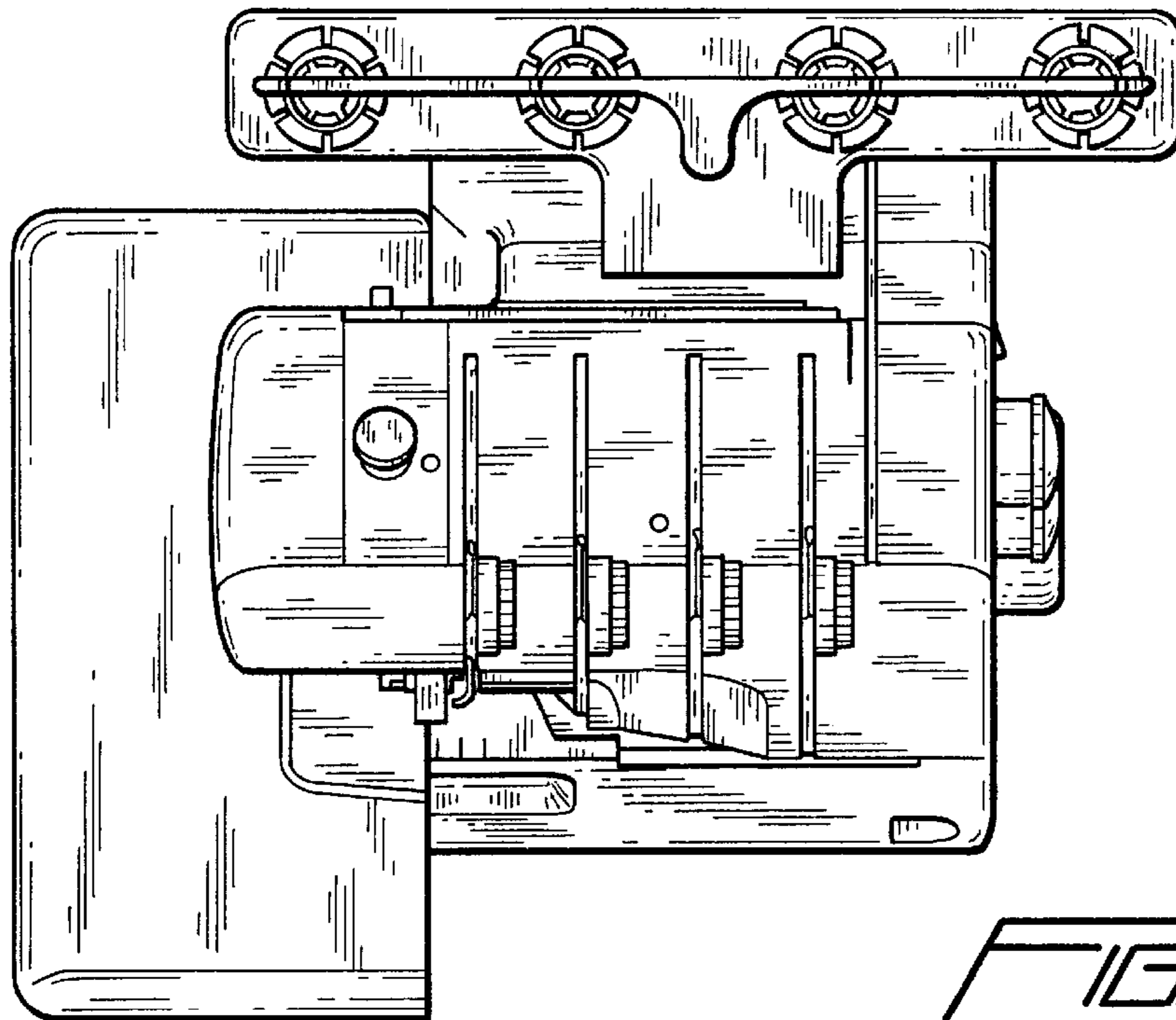


FIG. 5

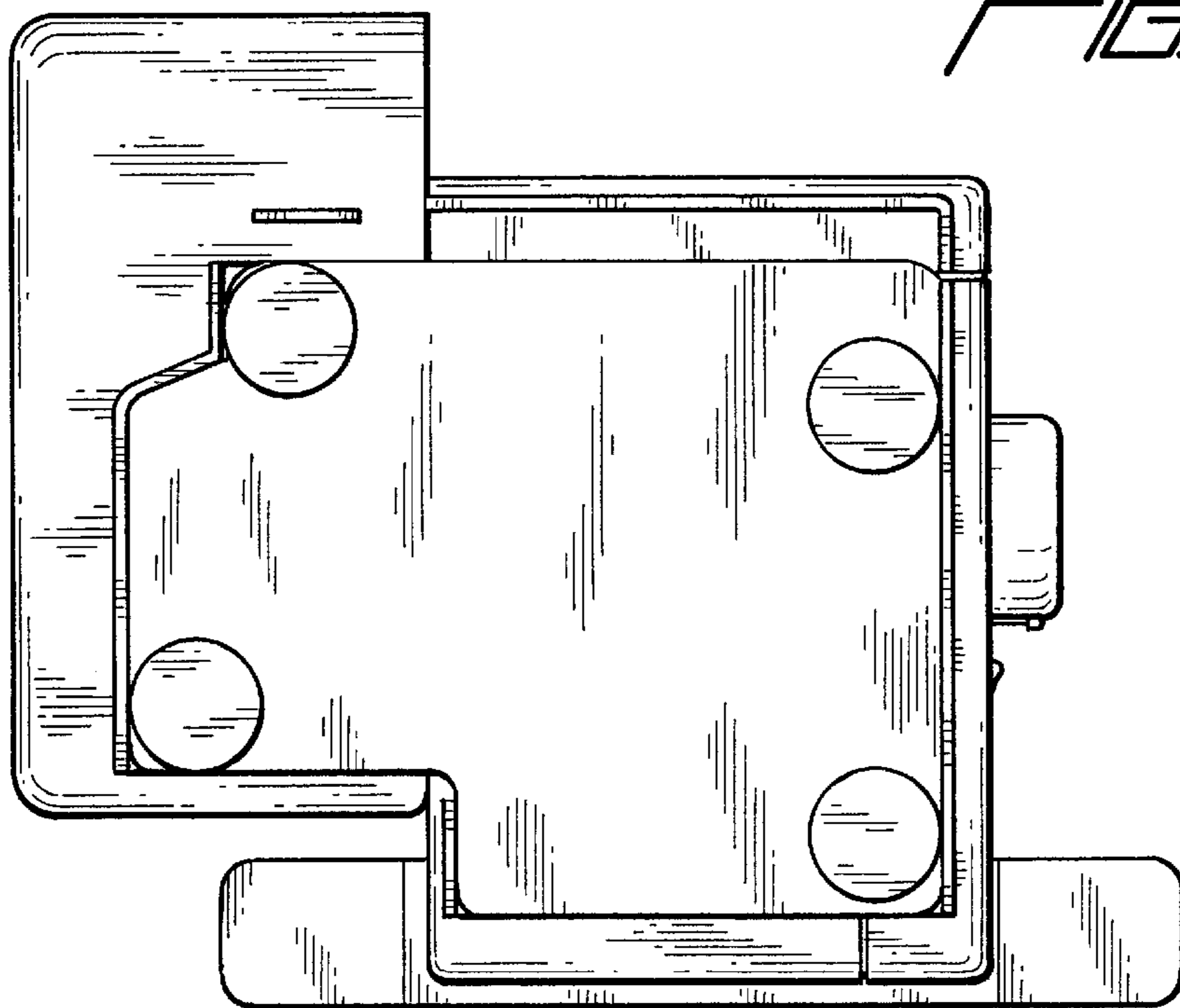


FIG. 6

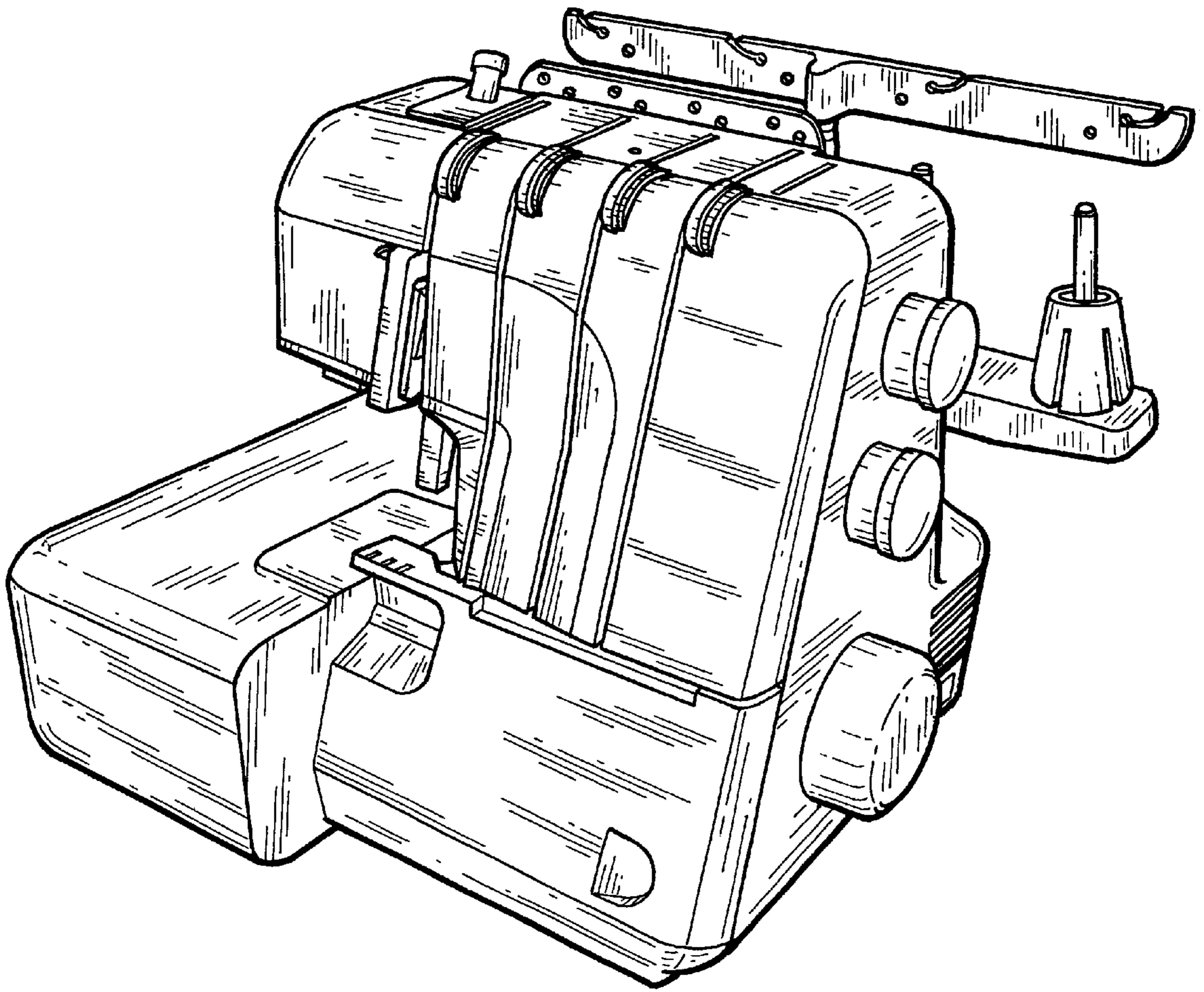


FIG. 7