



US00D450719B1

(12) **United States Design Patent**
Kuroki et al.

(10) **Patent No.:** **US D450,719 S**

(45) **Date of Patent:** **** Nov. 20, 2001**

(54) **SEWING MACHINE**

(75) **Inventors:** **Nobufusa Kuroki; Masatomo Amemiya, both of Tokyo (JP)**

(73) **Assignee:** **Janome Sewing Machine Company Limited, Tokyo (JP)**

(**) **Term:** **14 Years**

(21) **Appl. No.:** **29/131,206**

(22) **Filed:** **Oct. 17, 2000**

(30) **Foreign Application Priority Data**

Apr. 28, 2000 (JP) 12-011384

(51) **LOC (7) Cl.** **15-06**

(52) **U.S. Cl.** **D15/69**

(58) **Field of Search** D15/69-76; 112/63,
112/258-261, 217.1-219.4, 444

(56) **References Cited**

U.S. PATENT DOCUMENTS

D. 247,901 * 5/1978 Fresard D15/70

D. 260,995 * 9/1981 Fresard D15/70

D. 337,772 * 7/1993 Kuroki D15/70

D. 435,052 * 12/2000 Kuroki D15/70

4,099,474 * 7/1978 Hamlett et al. 112/258

* cited by examiner

Primary Examiner—Mitchell Siegel

(74) *Attorney, Agent, or Firm*—Jacobson Holman, PLLC

(57) **CLAIM**

The ornamental design for a sewing machine, as shown and described.

DESCRIPTION

FIG. 1 is a left side view showing my new design for a sewing machine,

FIG. 2 is a right side view thereof;

FIG. 3 is a front view thereof;

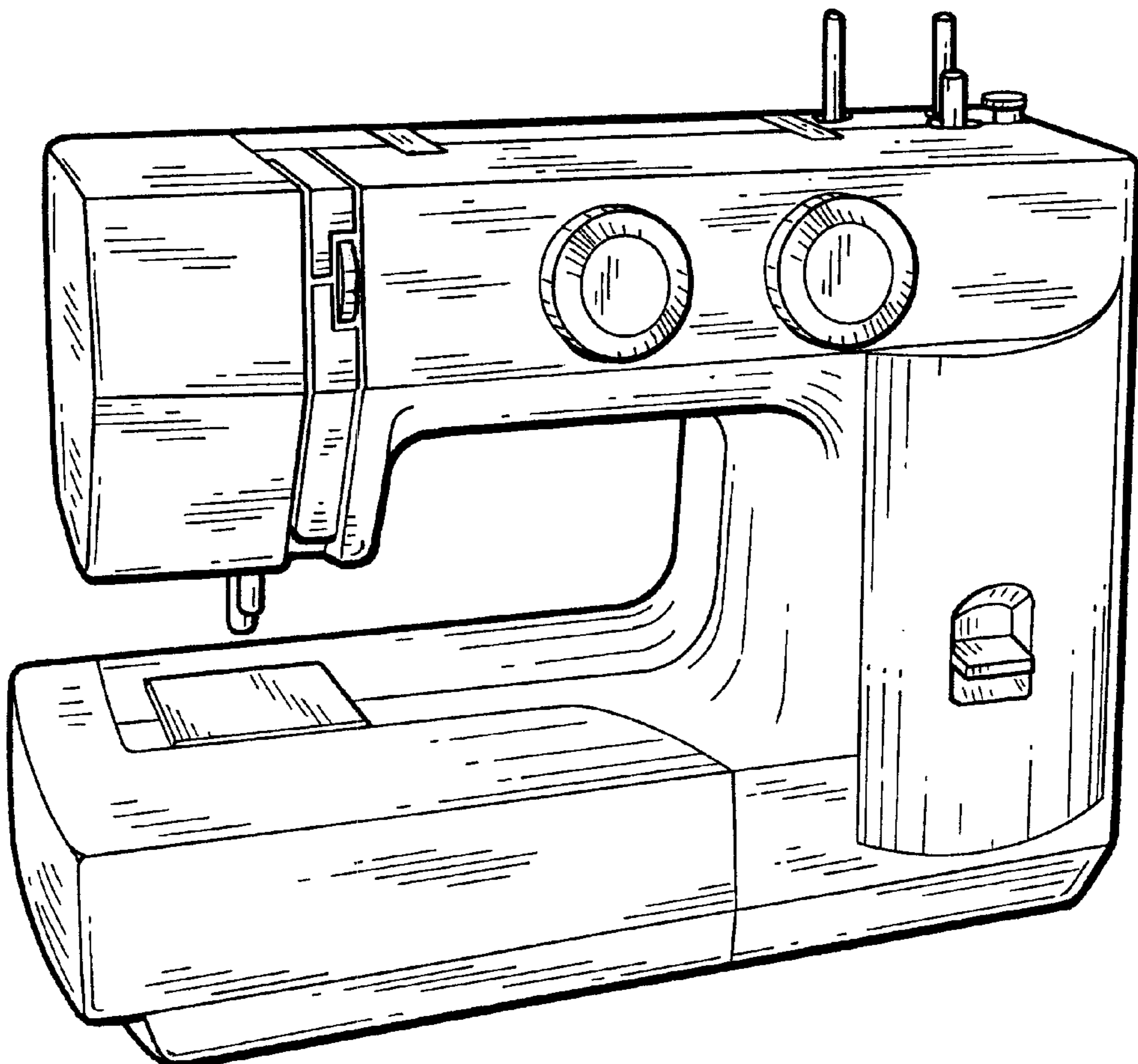
FIG. 4 is a rear view thereof;

FIG. 5 is a top plan view thereof;

FIG. 6 is a bottom view thereof; and,

FIG. 7 is a perspective view thereof.

1 Claim, 3 Drawing Sheets



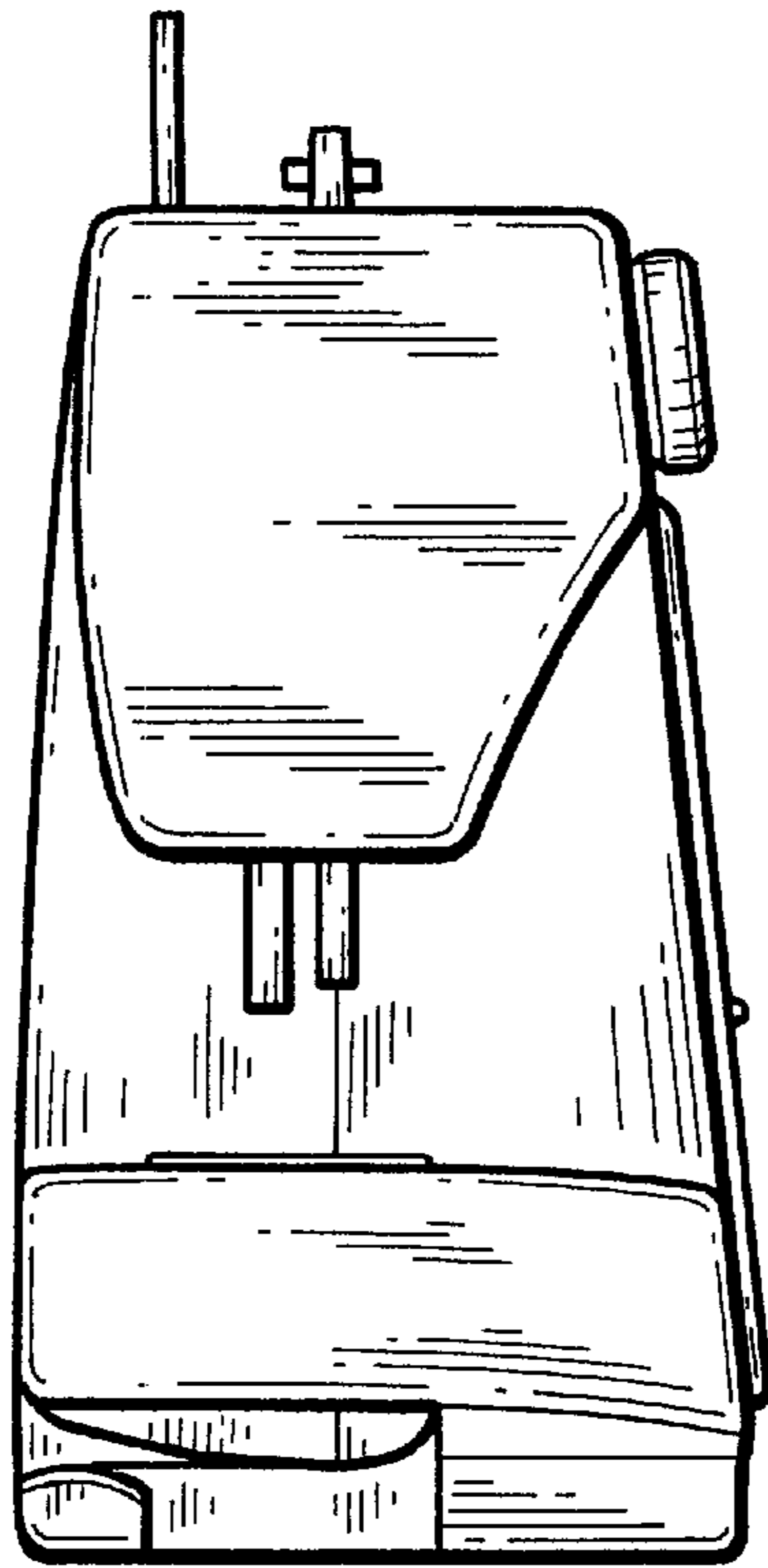


FIG. 1

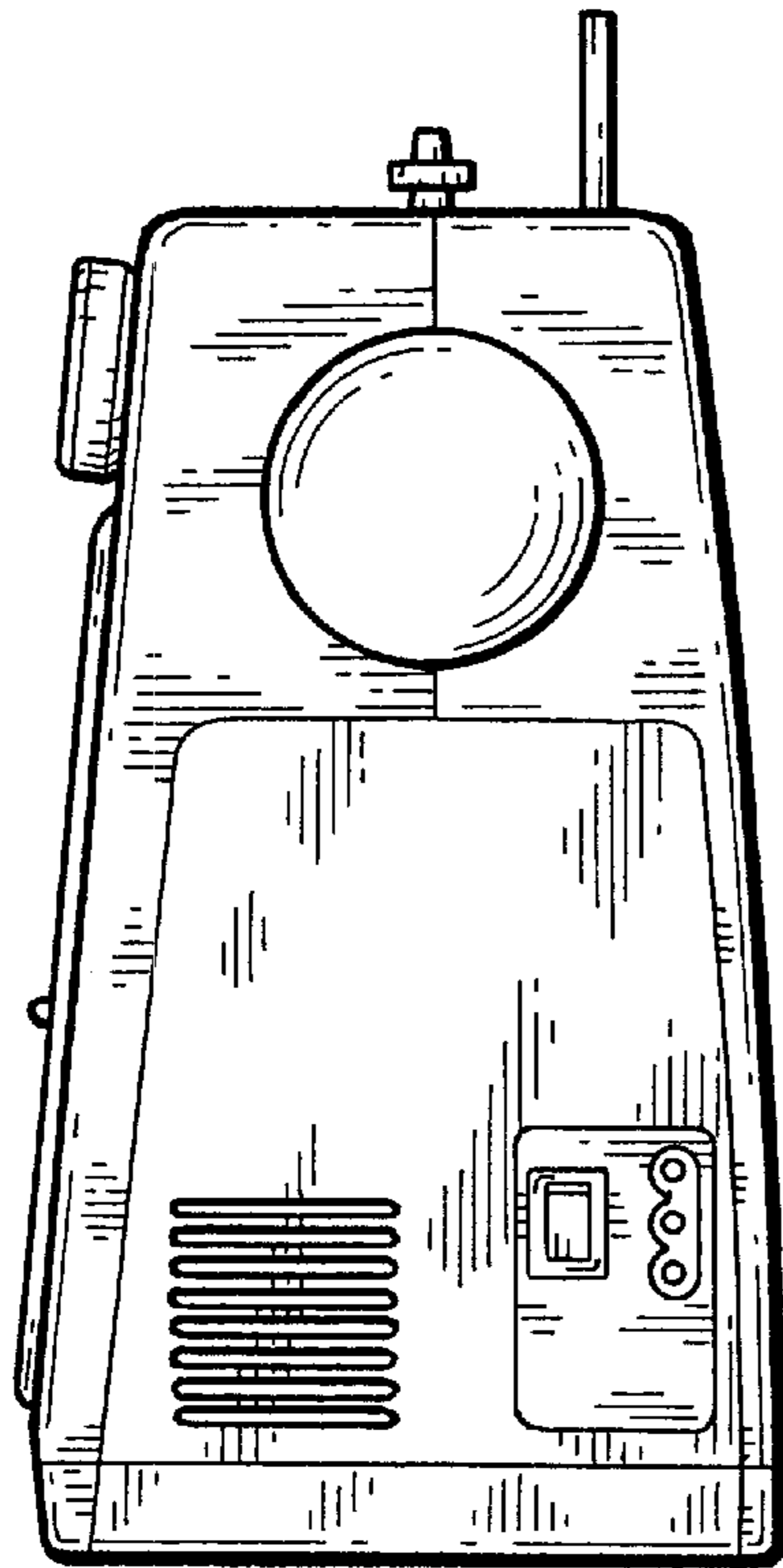


FIG. 2

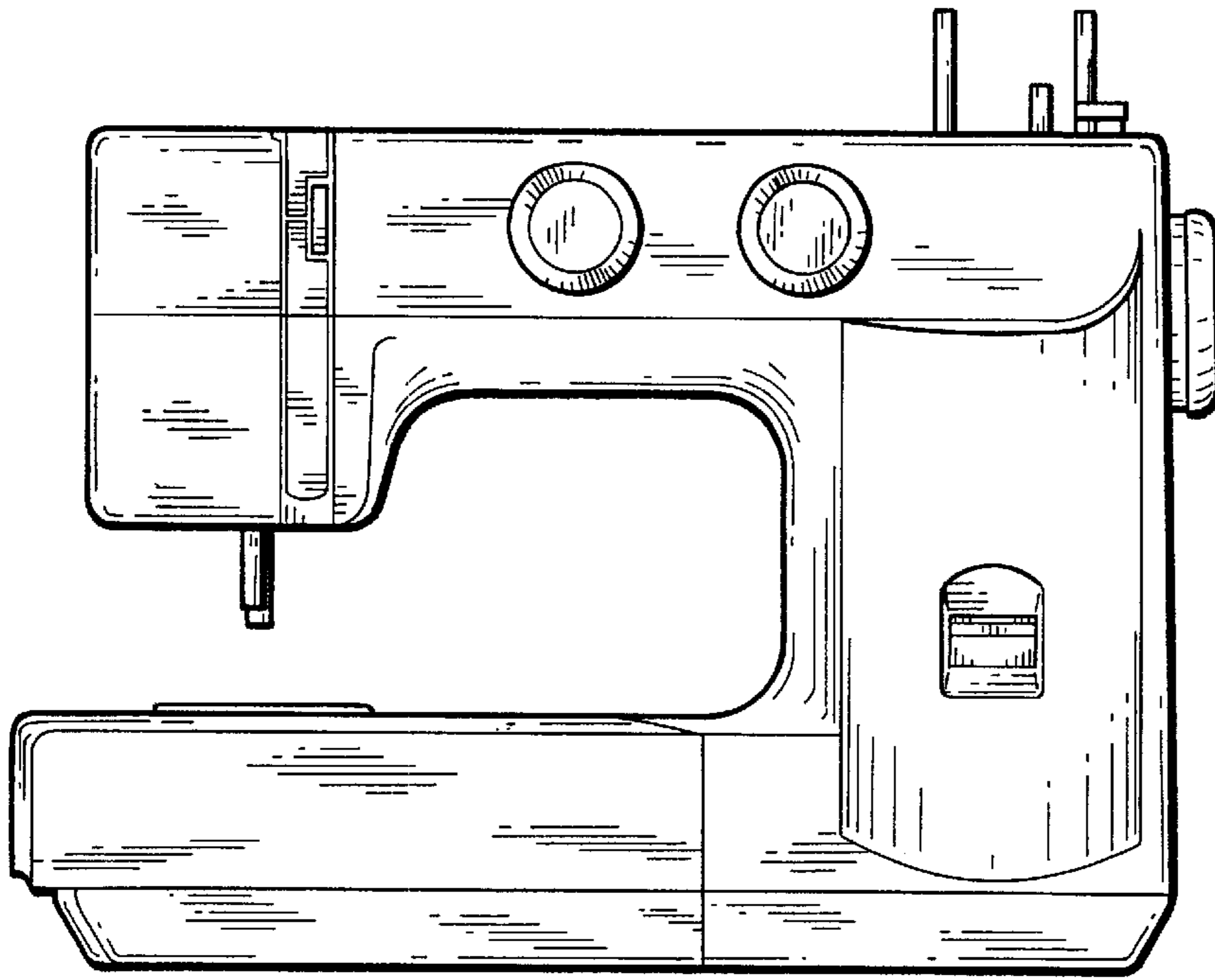


FIG. 3

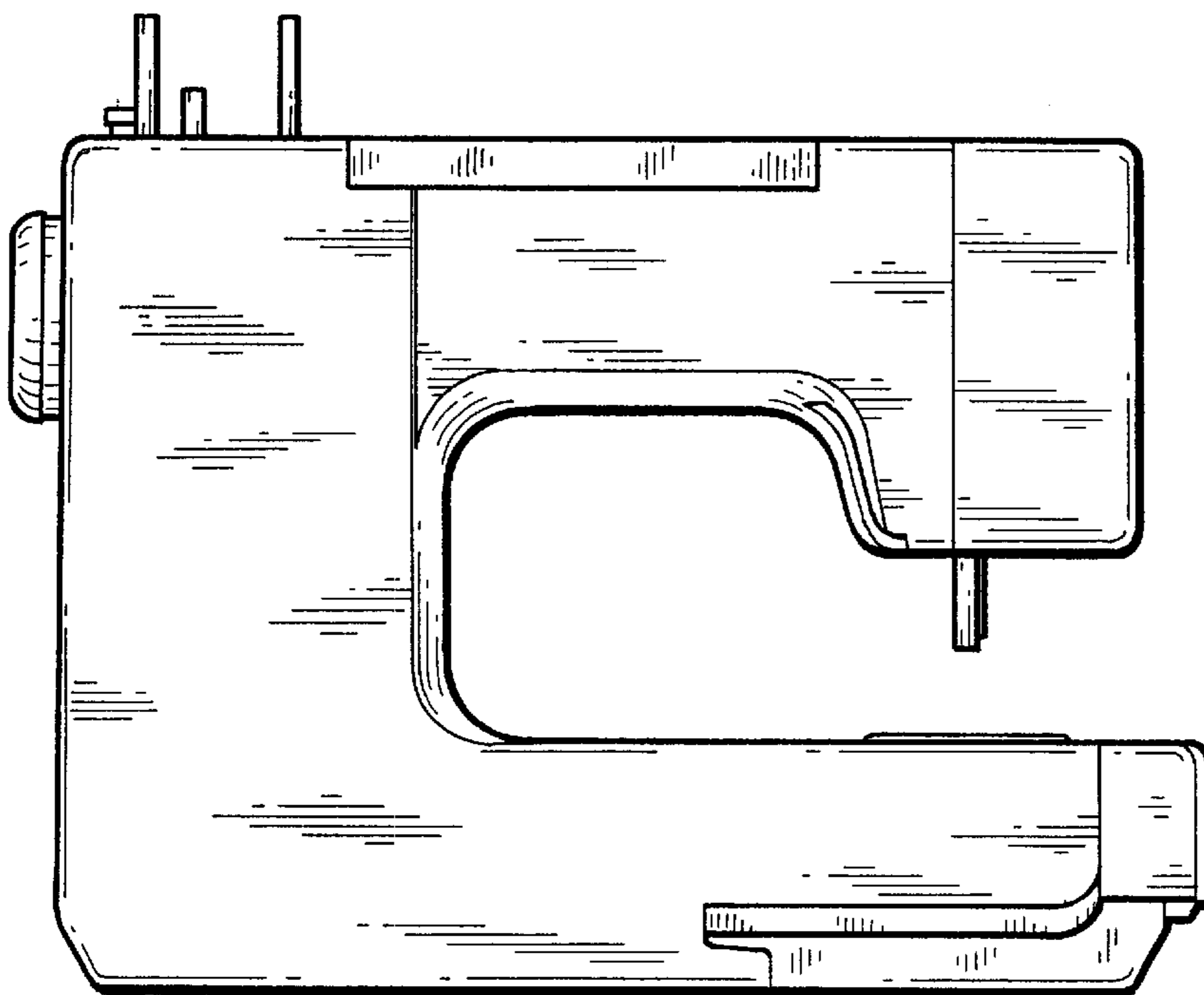


FIG. 4

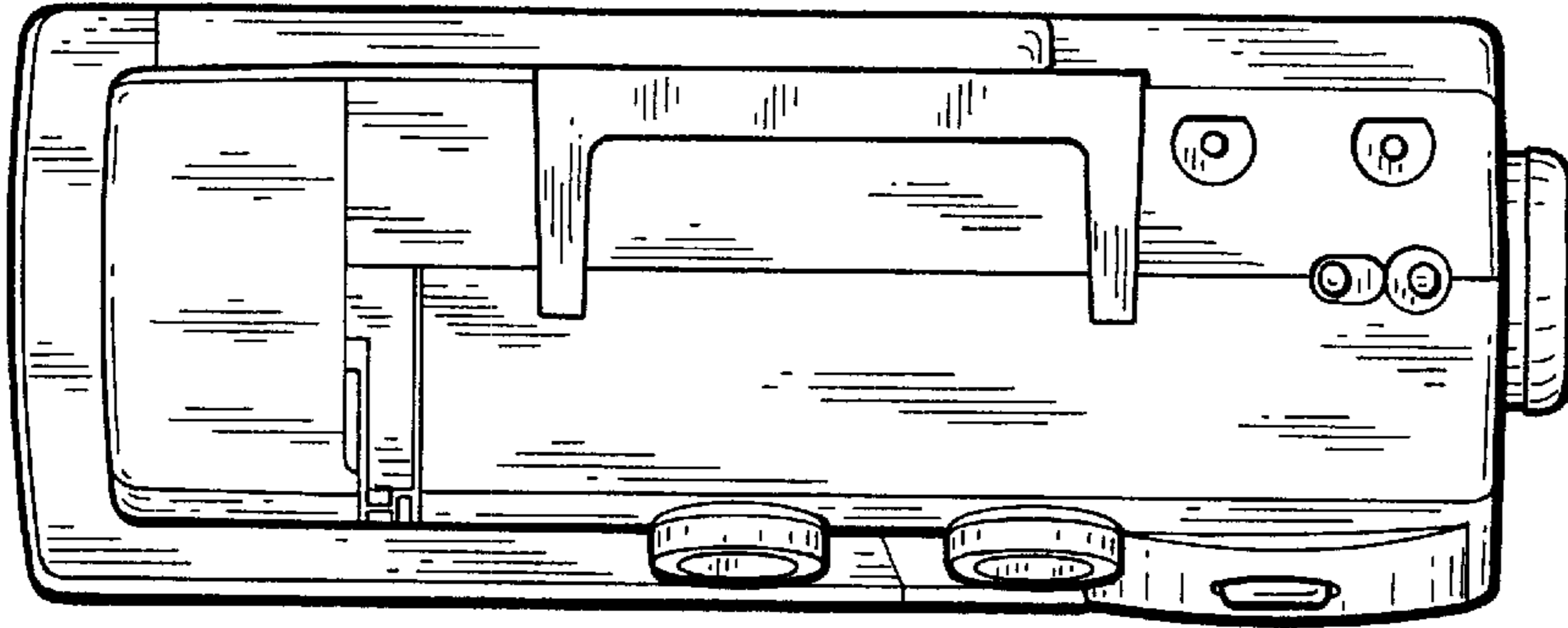


FIG. 5

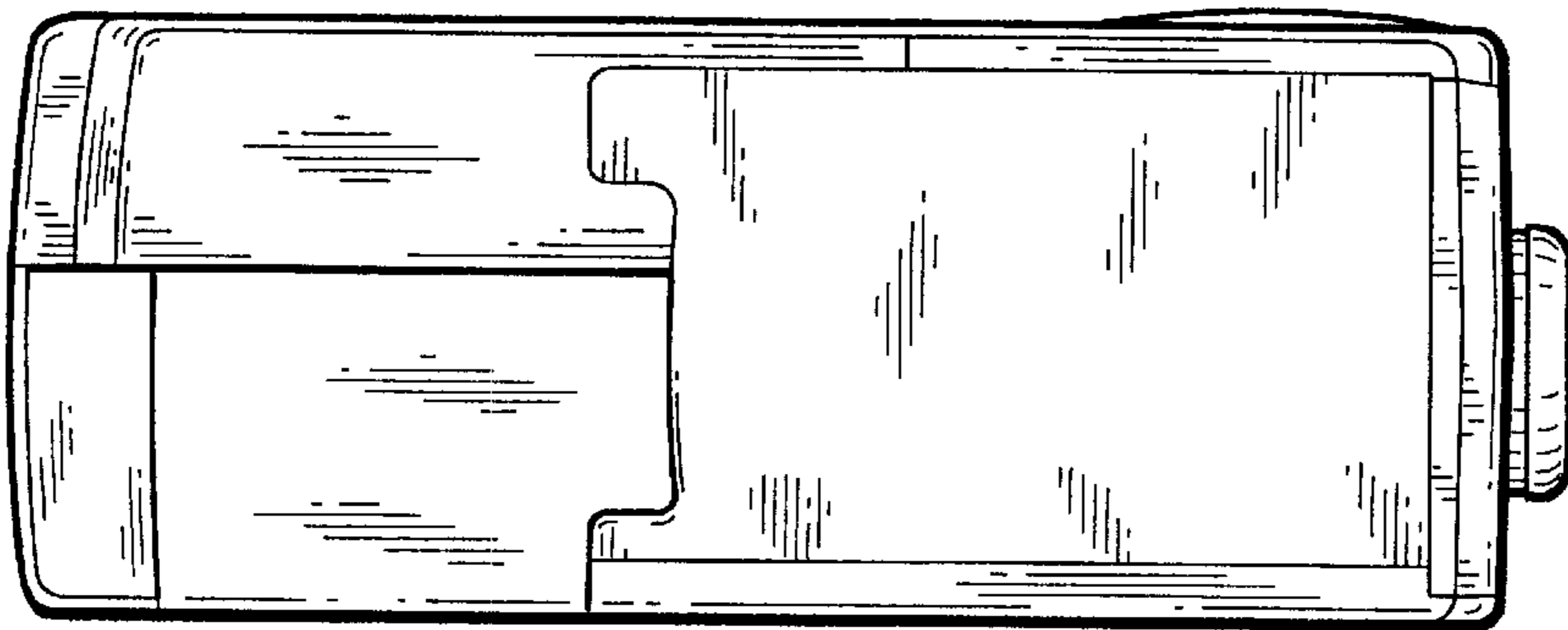


FIG. 6

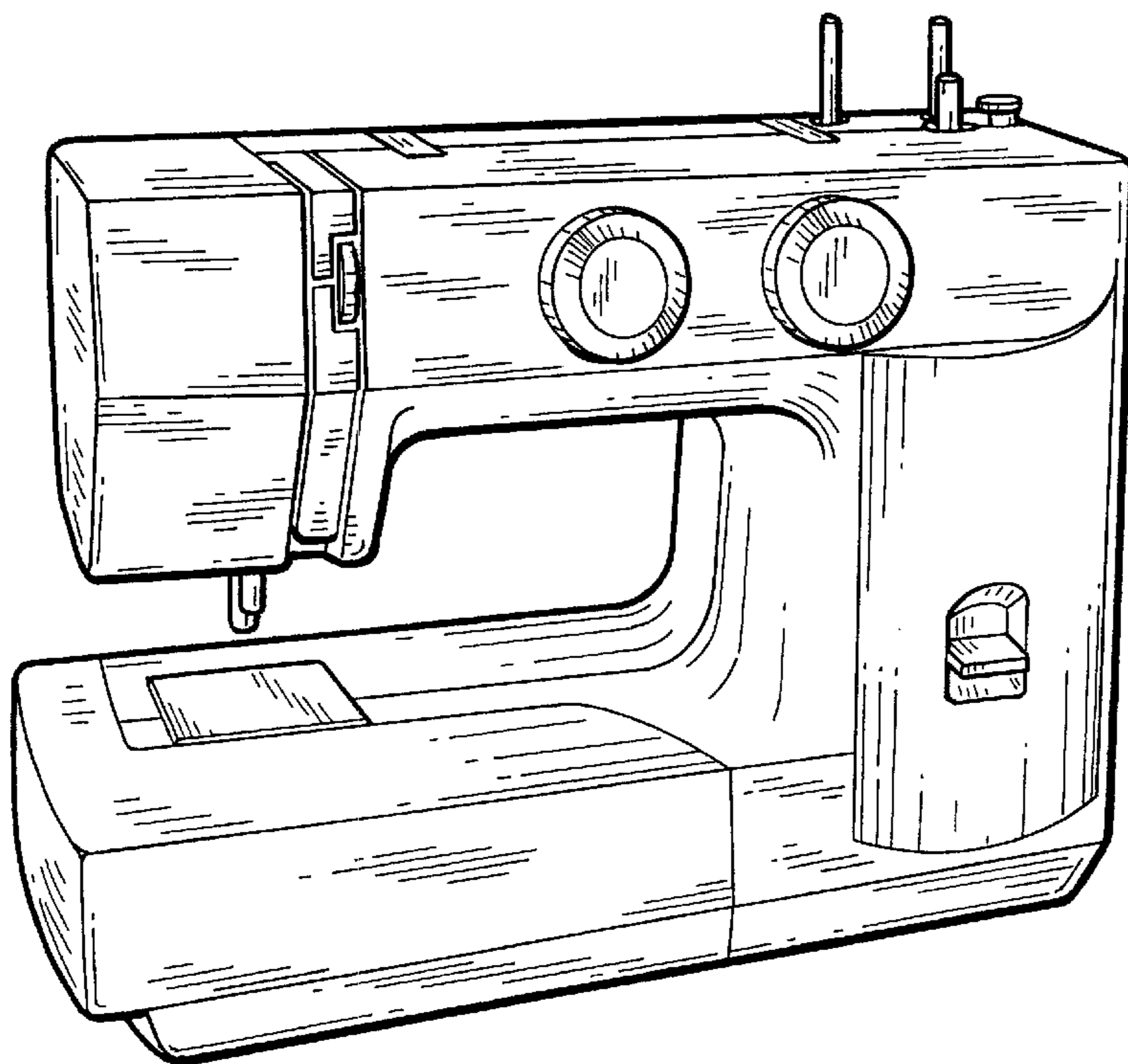


FIG. 7