



US00D450718B1

(12) **United States Design Patent**
Muraro

(10) **Patent No.:** **US D450,718 S**

(45) **Date of Patent:** **** Nov. 20, 2001**

(54) **SKID STEER LOADER**

(75) **Inventor:** **Umberto Muraro**, Noventa Vicentina (IT)

(73) **Assignee:** **Komatsu Utility Europe S.p.A.**, Noventa Vicentina (IT)

(**) **Term:** **14 Years**

(21) **Appl. No.:** **29/131,237**

(22) **Filed:** **Oct. 18, 2000**

(51) **LOC (7) Cl.** **12-09**

(52) **U.S. Cl.** **D15/25**

(58) **Field of Search** D15/23-25; 180/89.1, 180/89.12; 414/680, 685, 686, 697

(56) **References Cited**

U.S. PATENT DOCUMENTS

- D. 231,482 * 4/1974 Bauer D15/25
- D. 247,814 * 5/1978 Johnson et al. D15/23
- D. 322,792 * 12/1991 Park D15/25

- D. 376,372 * 12/1996 Little et al. D15/23
- D. 419,568 * 1/2000 Baig et al. D15/25
- D. 423,521 * 4/2000 Walter et al. D15/23
- D. 424,778 * 5/2000 Dahl et al. D15/23
- 4,055,262 * 10/1977 Bauer et al. 414/697
- 5,240,366 * 8/1993 Bamford 414/686

* cited by examiner

Primary Examiner—Mitchell Siegel

(74) *Attorney, Agent, or Firm*—Browdy and Neimark

(57) **CLAIM**

The ornamental design for a skid steer loader, as shown and described.

DESCRIPTION

FIG. 1 is a front view of the skid steer loader; FIG. 2 is a rear view of the skid steer loader; FIG. 3 is a left side view of the skid steer loader; FIG. 4 is a right side view of the skid steer loader; FIG. 5 is an upper view of the skid steer loader; and, FIG. 6 is a perspective rear view of the skid steer loader.

1 Claim, 5 Drawing Sheets

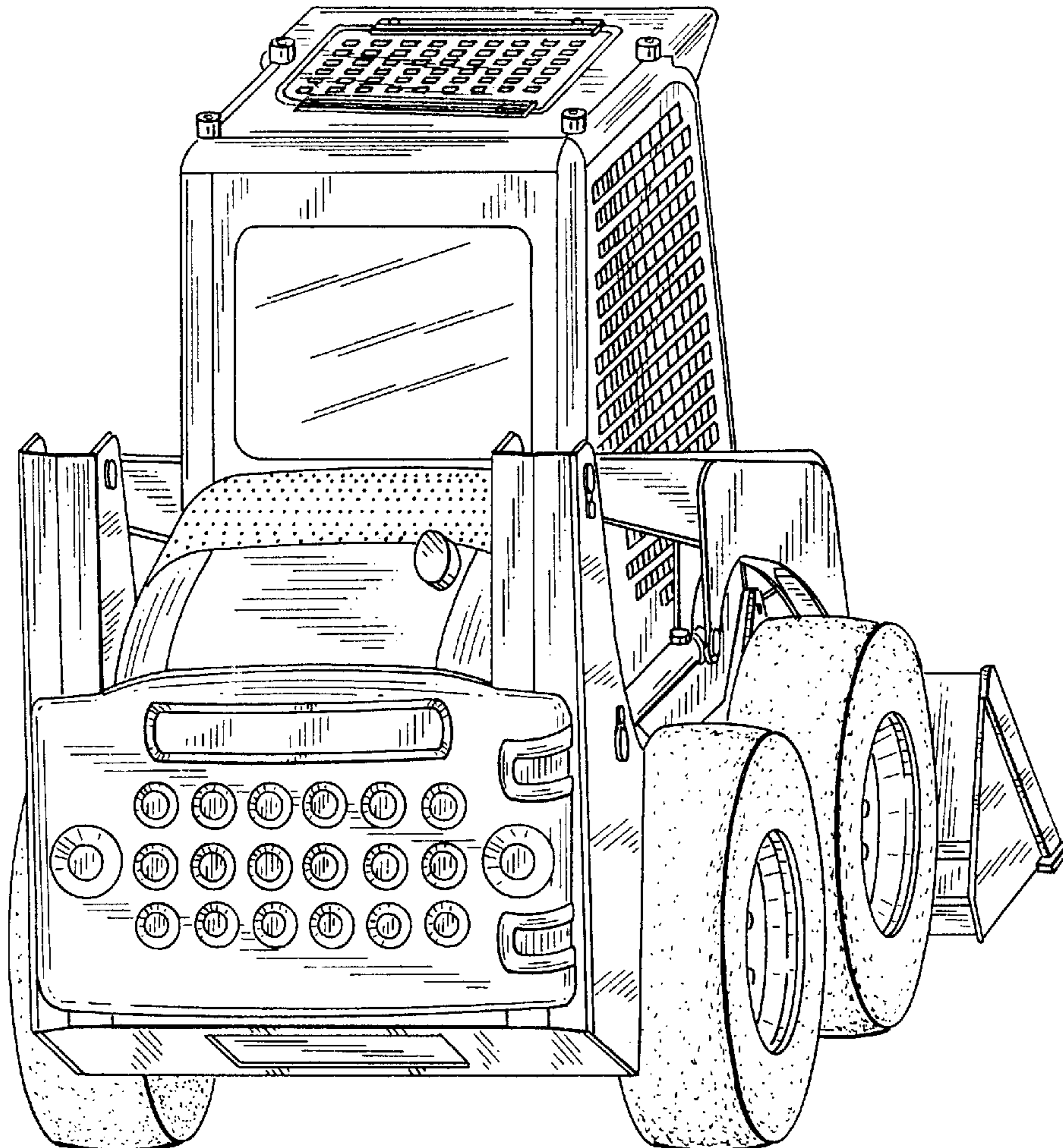


FIG. 2

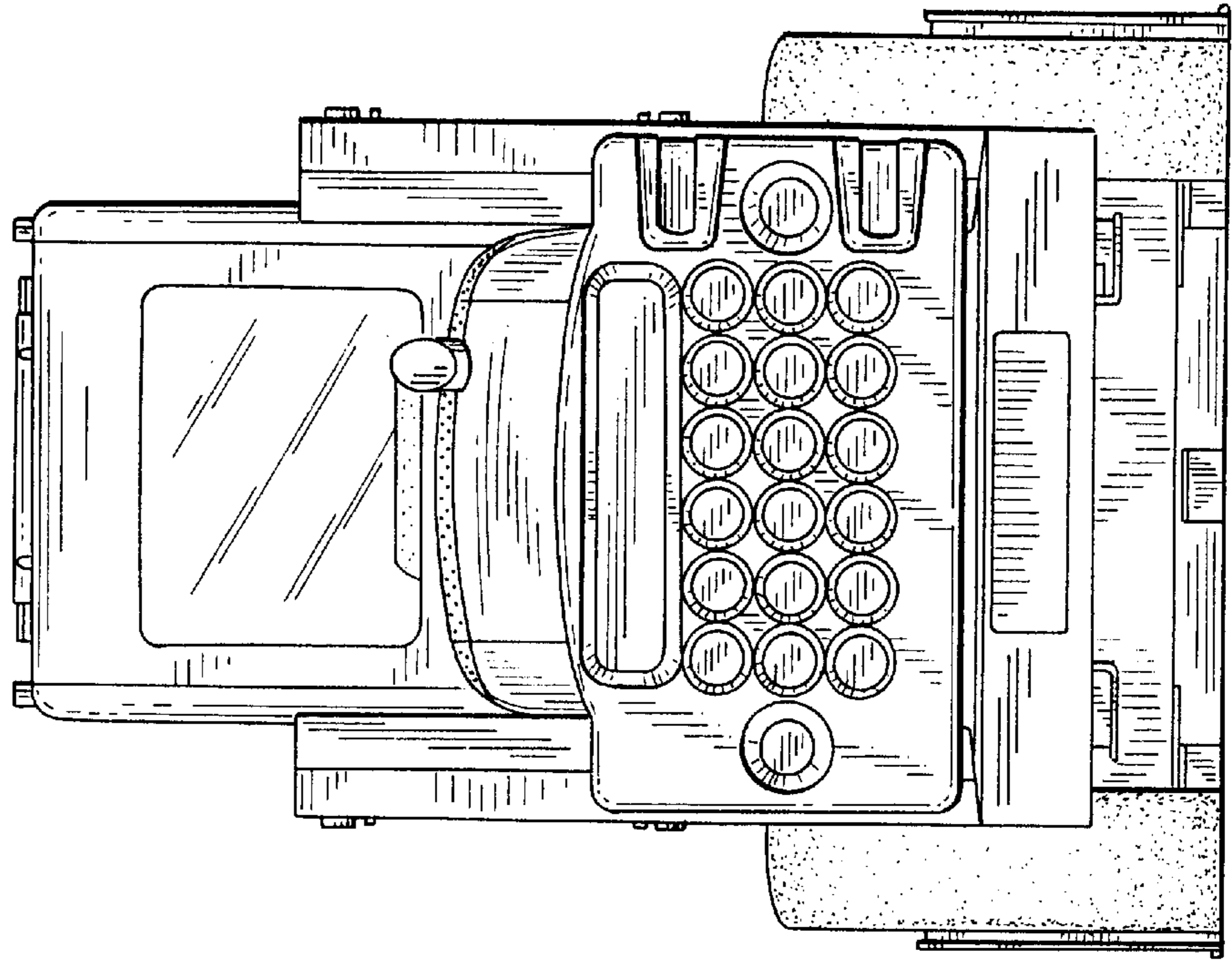
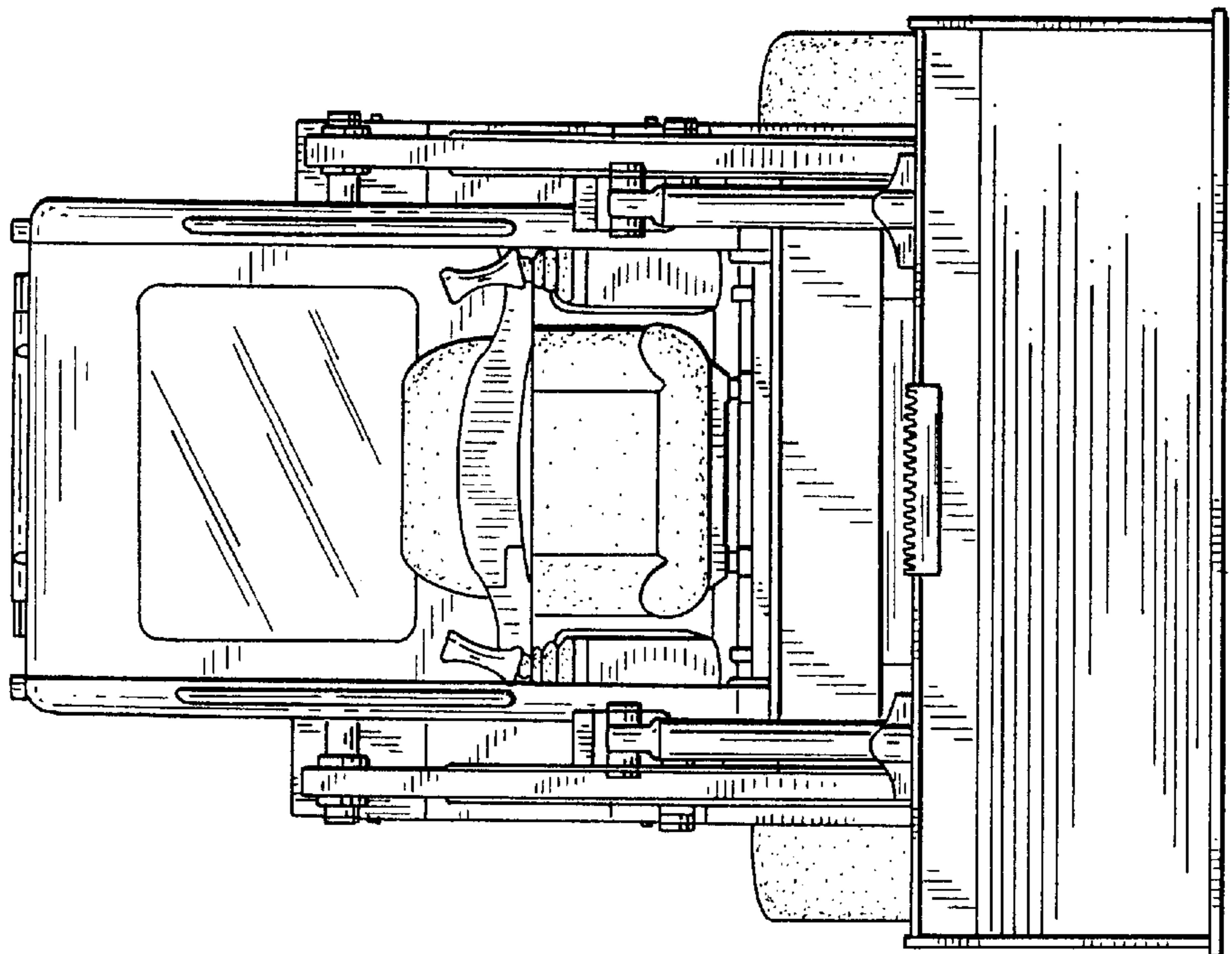


FIG. 1



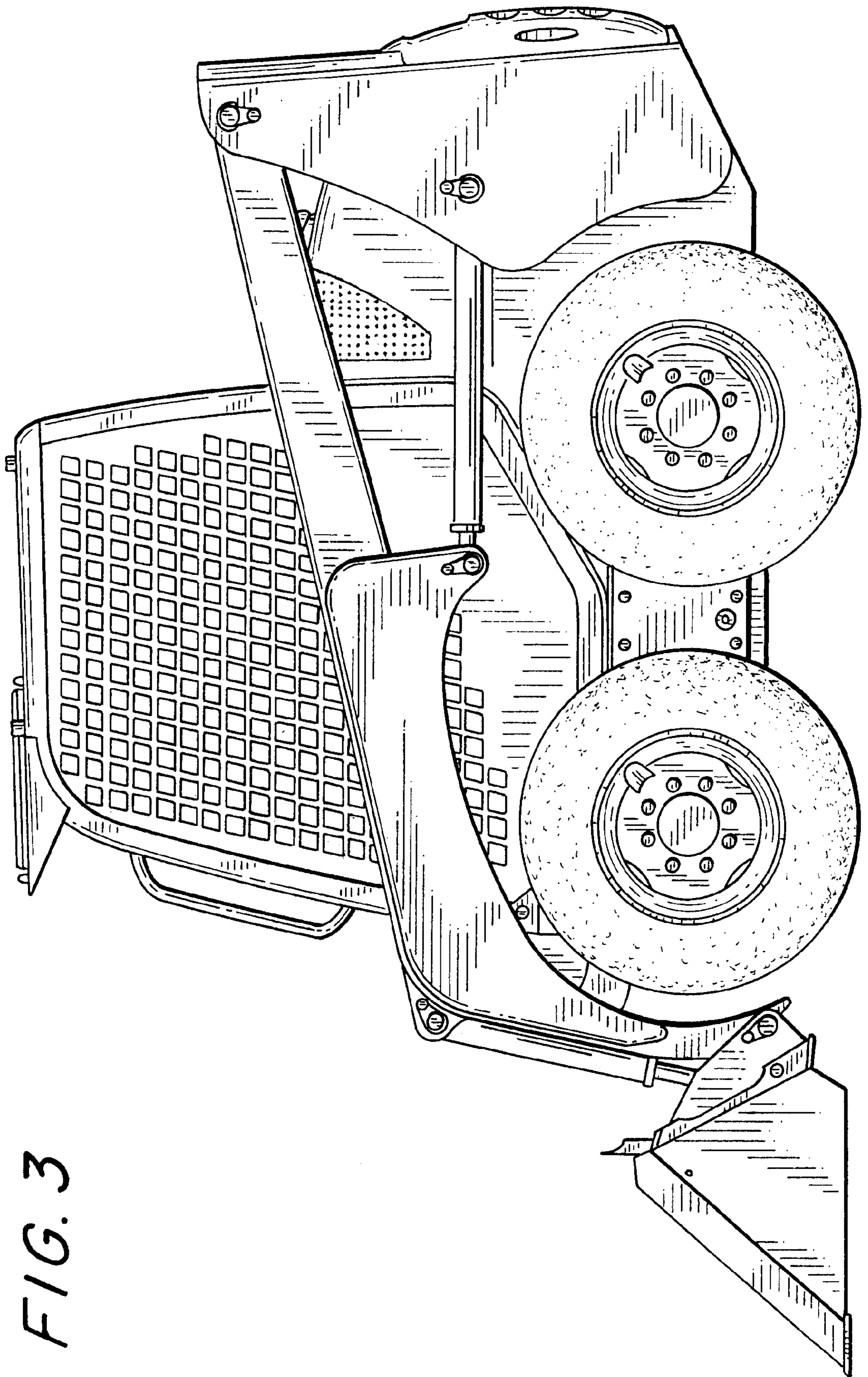


FIG. 3

FIG. 4

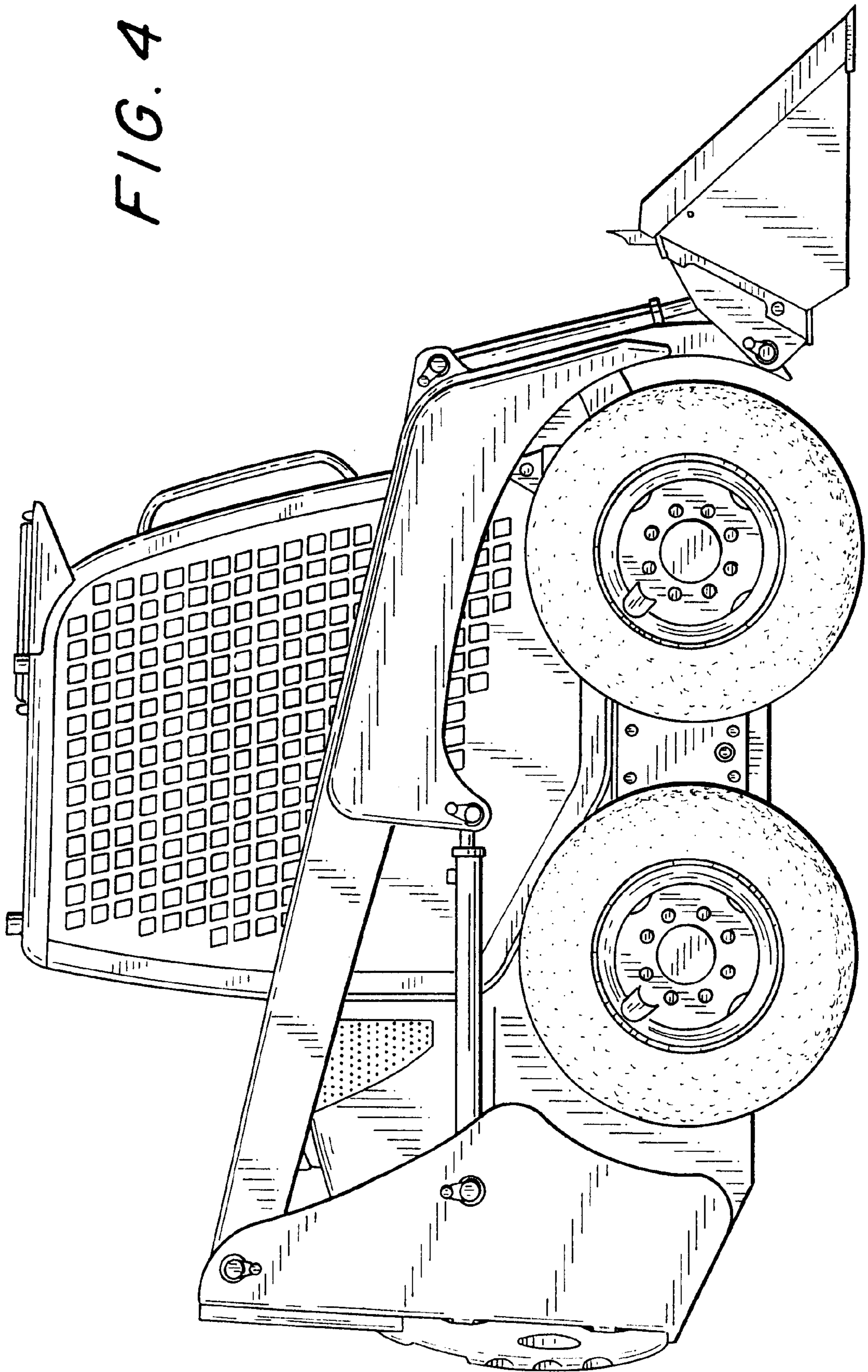


FIG. 5

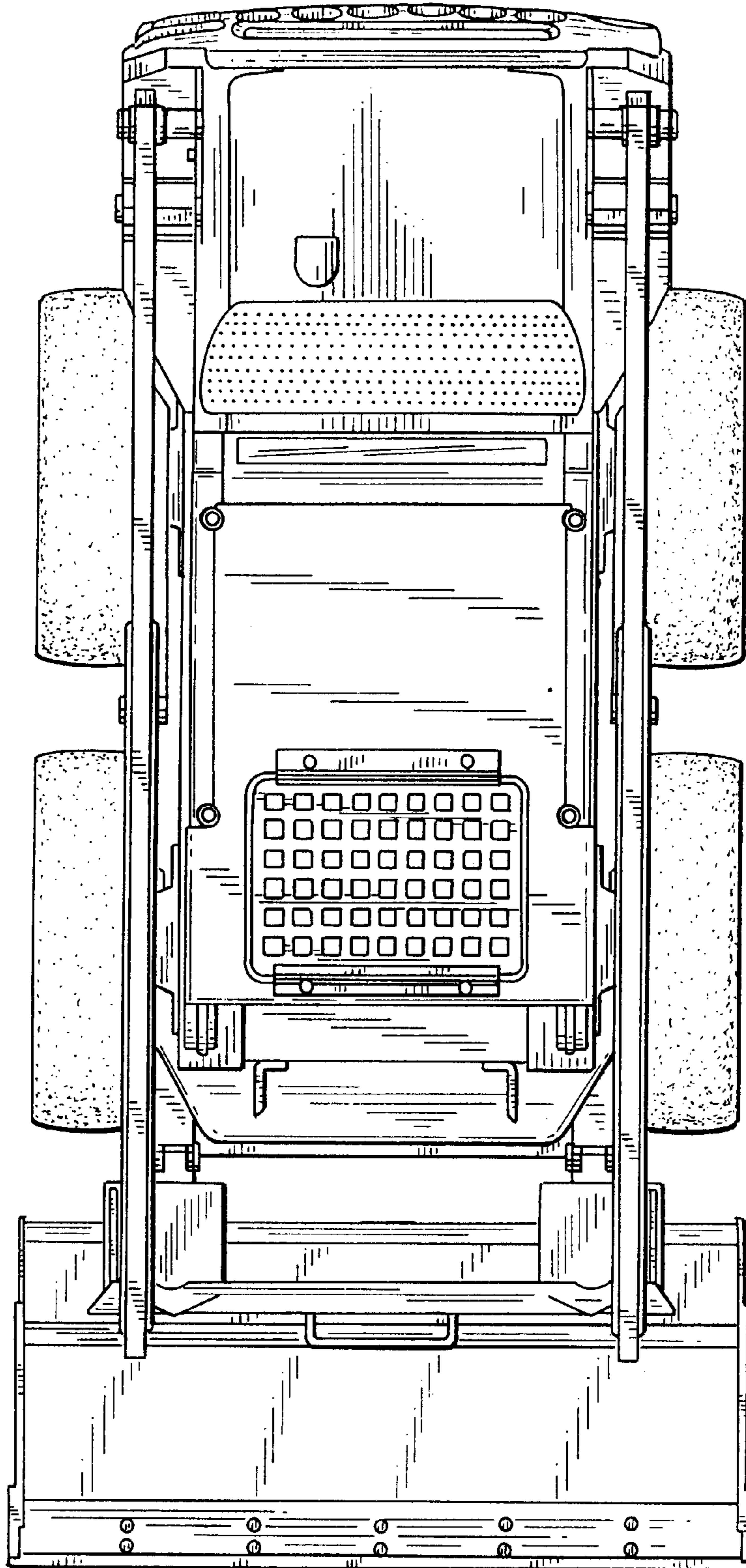


FIG. 6

