



US00D450717B1

(12) **United States Design Patent**
Muraro

(10) **Patent No.:** **US D450,717 S**

(45) **Date of Patent:** **** Nov. 20, 2001**

(54) **EARTH MOVING VEHICLE**

(75) **Inventor:** **Umberto Muraro**, Noventa Vicentina (IT)

(73) **Assignee:** **Komatsu Utility Europe S.p.A.**, Noventa Vicentina (IT)

(**) **Term:** **14 Years**

(21) **Appl. No.:** **29/130,137**

(22) **Filed:** **Sep. 29, 2000**

(51) **LOC (7) Cl.** **12-09**

(52) **U.S. Cl.** **D15/25**

(58) **Field of Search** D15/23-25; 180/9.1, 180/9.2, 89.1, 89.12, 139, 235, 9.62, 14 R; 280/400; 414/694, 698, 699, 722-724

(56) **References Cited**

U.S. PATENT DOCUMENTS

- D. 273,384 * 4/1984 Nasu et al. D15/25
- D. 309,313 * 7/1990 Takashima et al. D15/25
- D. 406,152 * 2/1999 Miyaoka et al. D15/25

- D. 409,629 * 5/1999 Miyaoka et al. D15/25
- D. 431,253 * 9/2000 Marchetta et al. D15/25
- D. 432,144 * 10/2000 Kraft et al. D15/25
- D. 432,145 * 10/2000 Kraft et al. D15/25
- D. 433,689 * 11/2000 Kraft et al. D15/25
- D. 436,605 * 1/2001 Shaw et al. D15/25
- D. 440,235 * 4/2001 Kuwae et al. D15/25

* cited by examiner

Primary Examiner—Mitchell Siegel

(74) *Attorney, Agent, or Firm*—Browdy and Neimark

(57) **CLAIM**

The ornamental design for an earth moving vehicle, as shown and described.

DESCRIPTION

FIG. 1 is a front view of the earth moving vehicle; FIG. 2 is a rear view of the earth moving vehicle; FIG. 3 is a left side view of the earth moving vehicle; FIG. 4 is a right side view of the earth moving vehicle; and, FIG. 5 is a upper view of the earth moving vehicle.

1 Claim, 4 Drawing Sheets

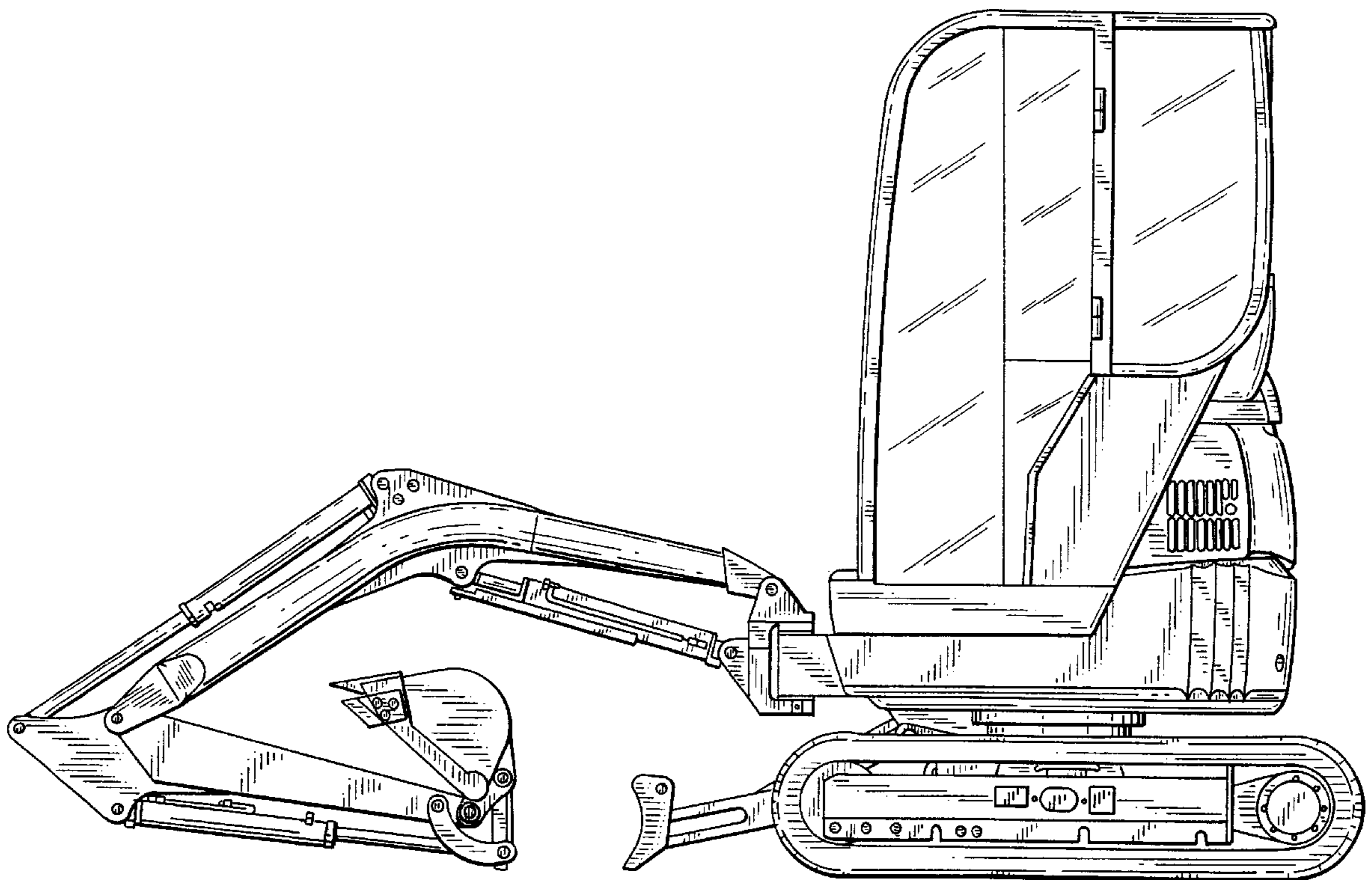


FIG. 2

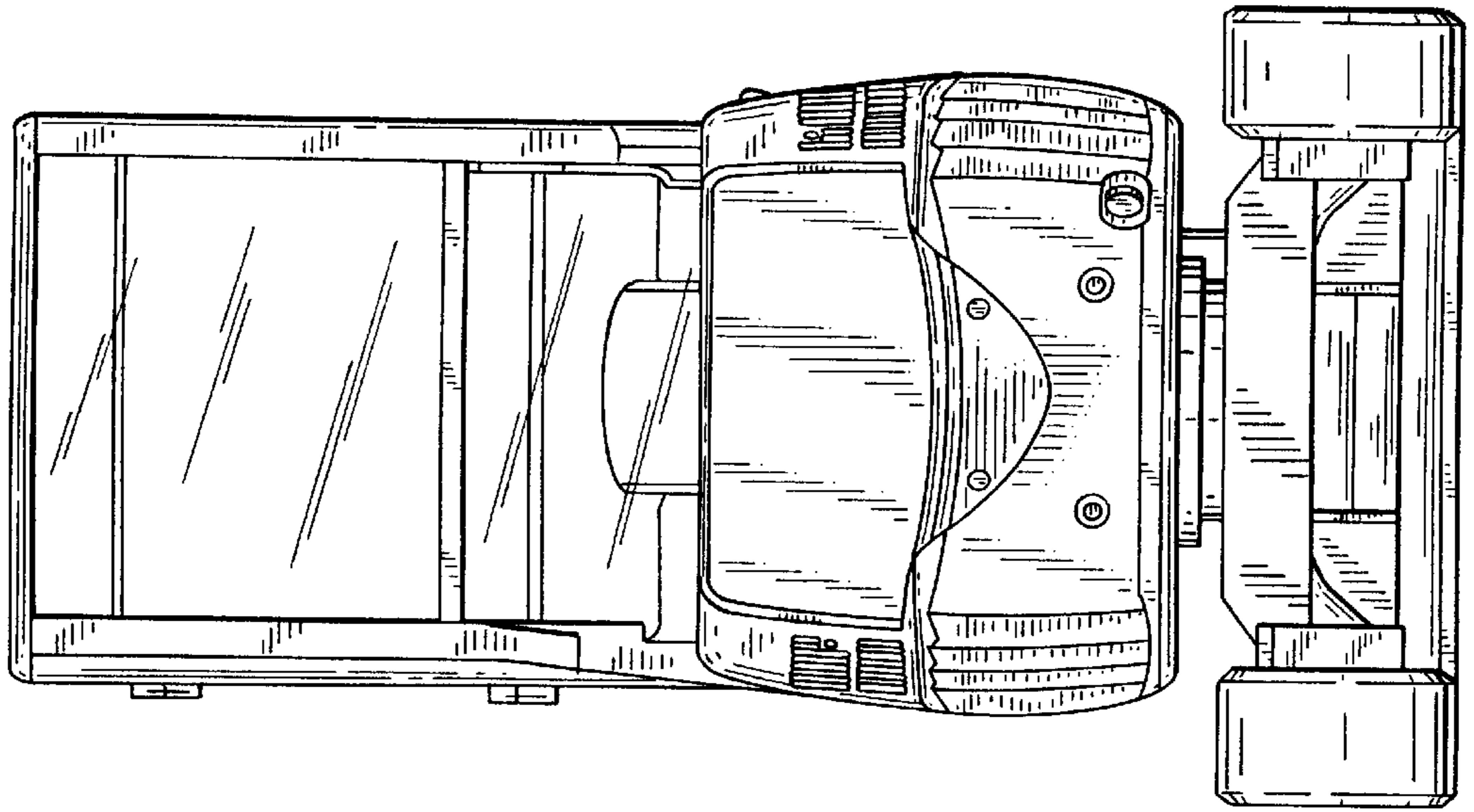
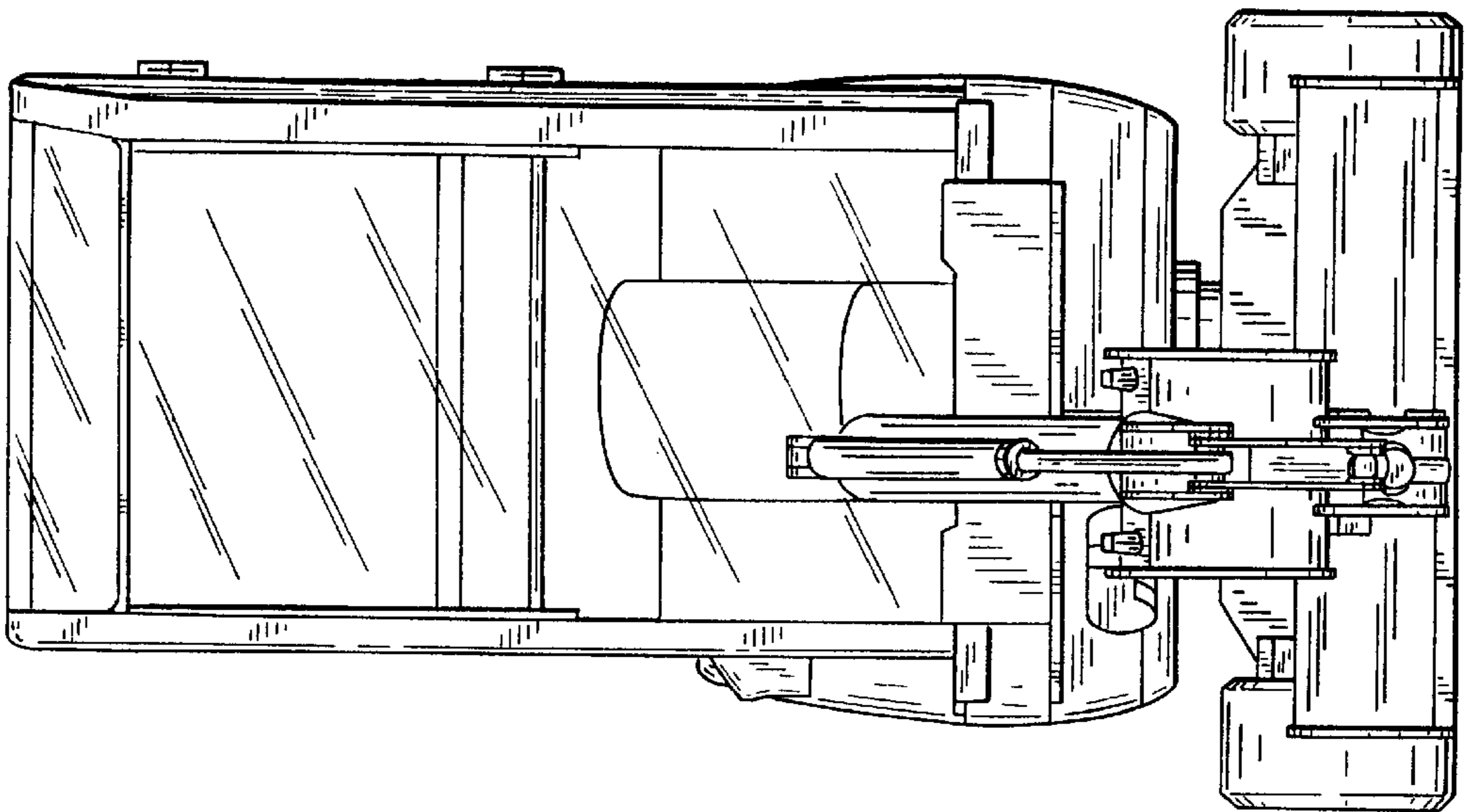


FIG. 1



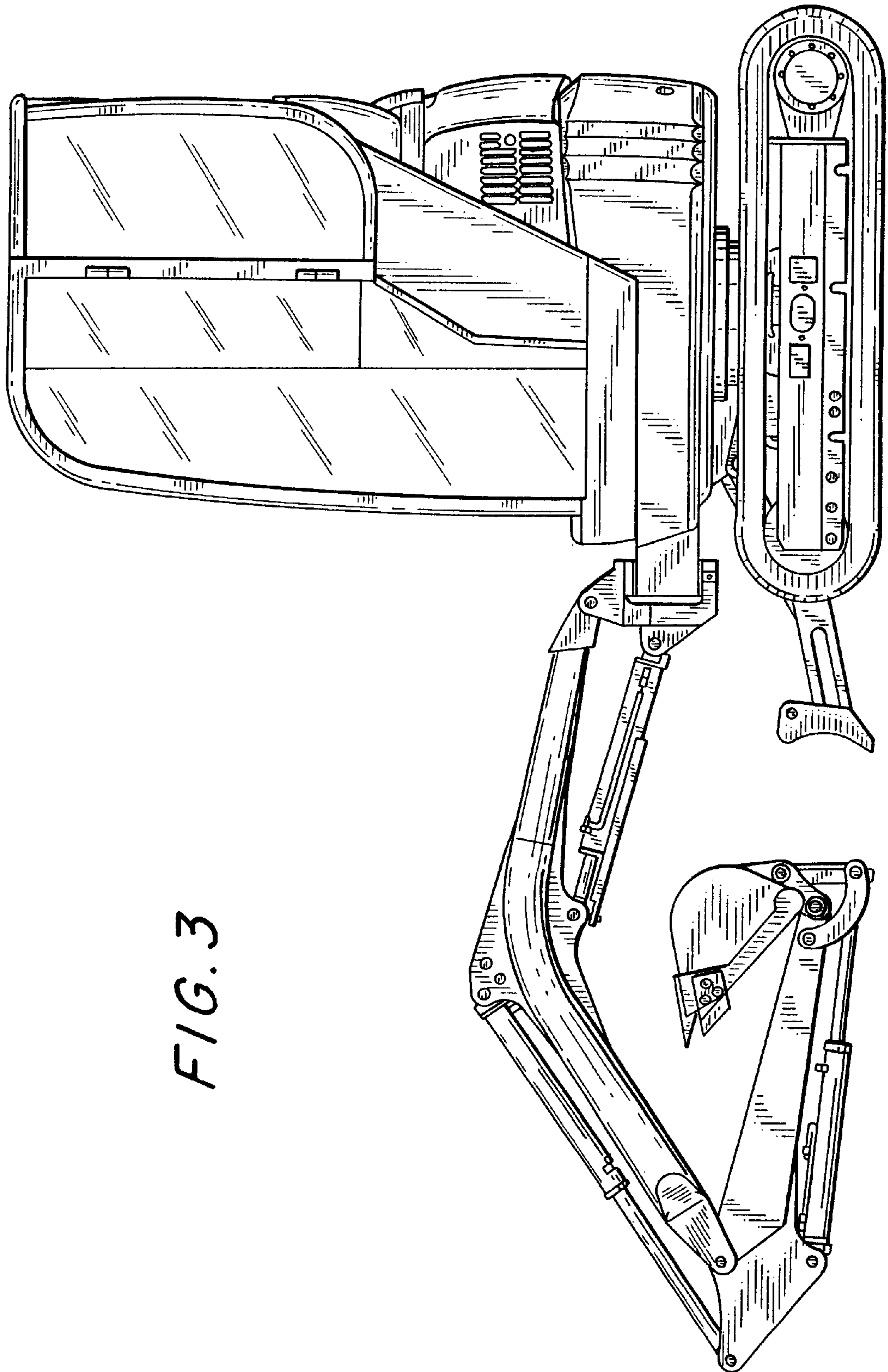


FIG. 3

FIG. 4

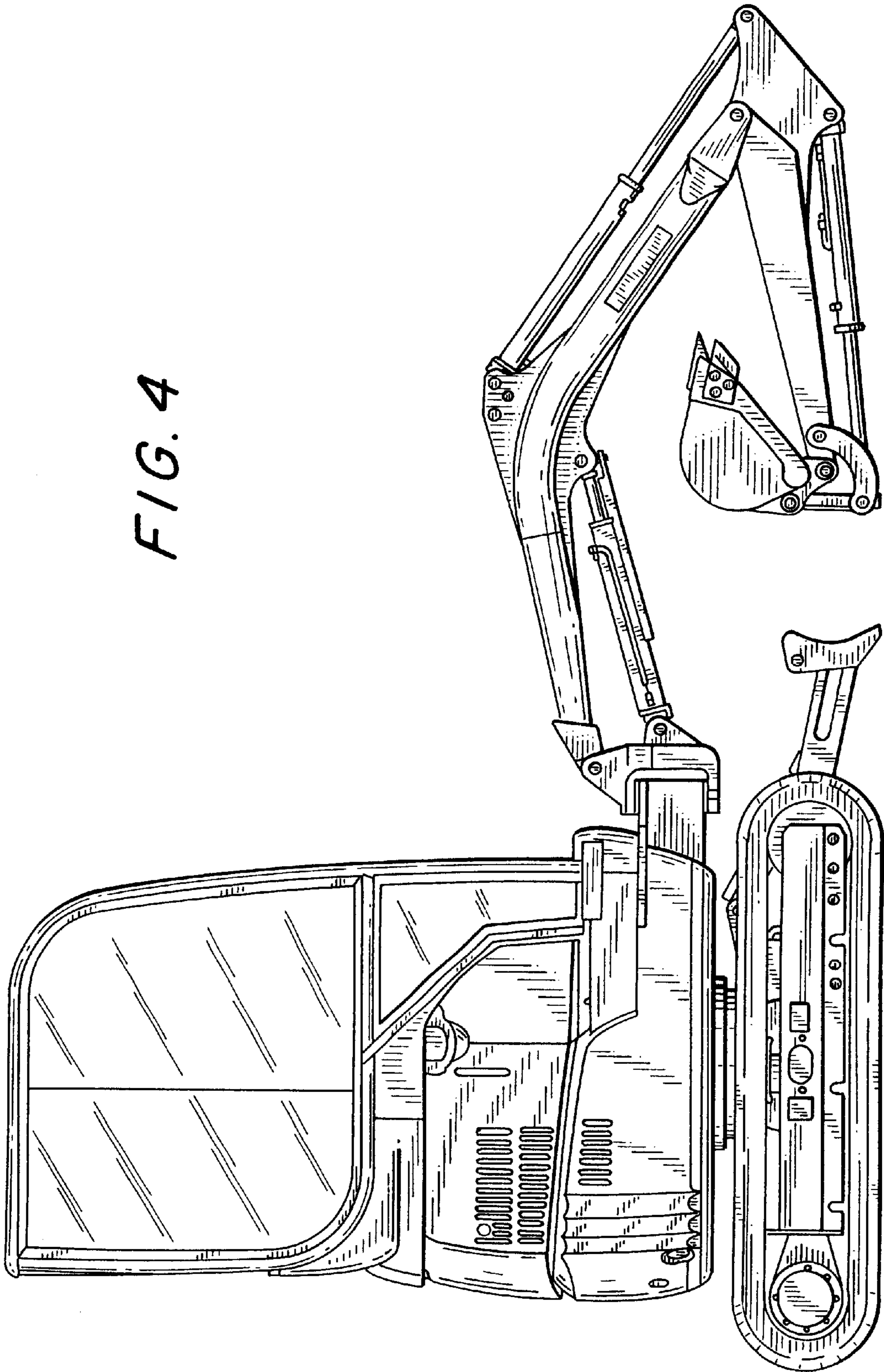


FIG. 5

