



US00D450716B1

(12) **United States Design Patent**
Johnson et al.

(10) **Patent No.:** **US D450,716 S**

(45) **Date of Patent:** **** Nov. 20, 2001**

(54) **GRASS CATCHER**

(76) Inventors: **Glenn Johnson**, 25 Woodside Rd.,
Robbinsville, NJ (US) 08691; **John**
Pallay, P.O. Box 2132, 435 Canal Rd.,
East Millstone, NJ (US) 08873; **Kevin**
Mak, 136 Crestwood Dr., Warren, NJ
(US) 07059

(**) Term: **14 Years**

(21) Appl. No.: **29/134,079**

(22) Filed: **Dec. 13, 2000**

(51) **LOC (7) Cl.** **15-03**

(52) **U.S. Cl.** **D15/17**

(58) **Field of Search** D15/14, 16, 17;
56/16.6, 202, 320.1, 320.2

(56) **References Cited**

U.S. PATENT DOCUMENTS

- D. 213,062 * 12/1968 Leader D15/17
- D. 228,009 * 7/1973 Therod D15/17

- D. 287,251 * 12/1986 DiPaolo D15/17
- 3,014,330 * 12/1961 Oberdick 56/16.6
- 4,665,684 * 5/1987 DiPaolo 56/202
- 5,564,265 * 10/1996 Pitt 56/202

* cited by examiner

Primary Examiner—Mitchell Siegel
(74) *Attorney, Agent, or Firm*—Daniel S. Kirshner

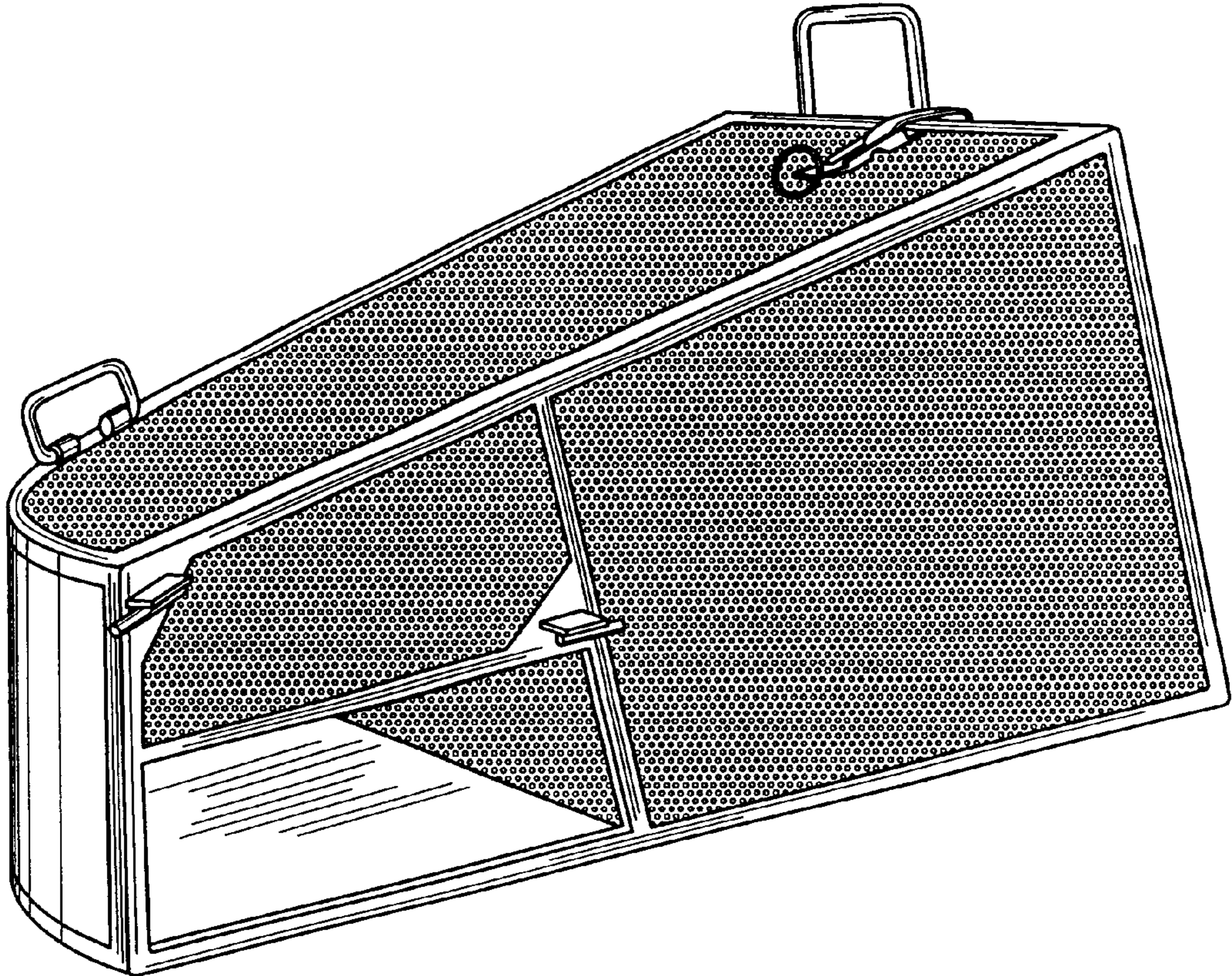
(57) **CLAIM**

The ornamental design for a grass catcher, as shown.

DESCRIPTION

FIG. 1 is a right side perspective view of the grass catcher showing the design;
FIG. 2 is a right side elevational view thereof;
FIG. 3 is a left side elevational view thereof;
FIG. 4 is a rear elevational view thereof;
FIG. 5 is a front elevational view thereof;
FIG. 6 is an top plan view thereof; and,
FIG. 7 is a bottom plan view thereof.

1 Claim, 4 Drawing Sheets



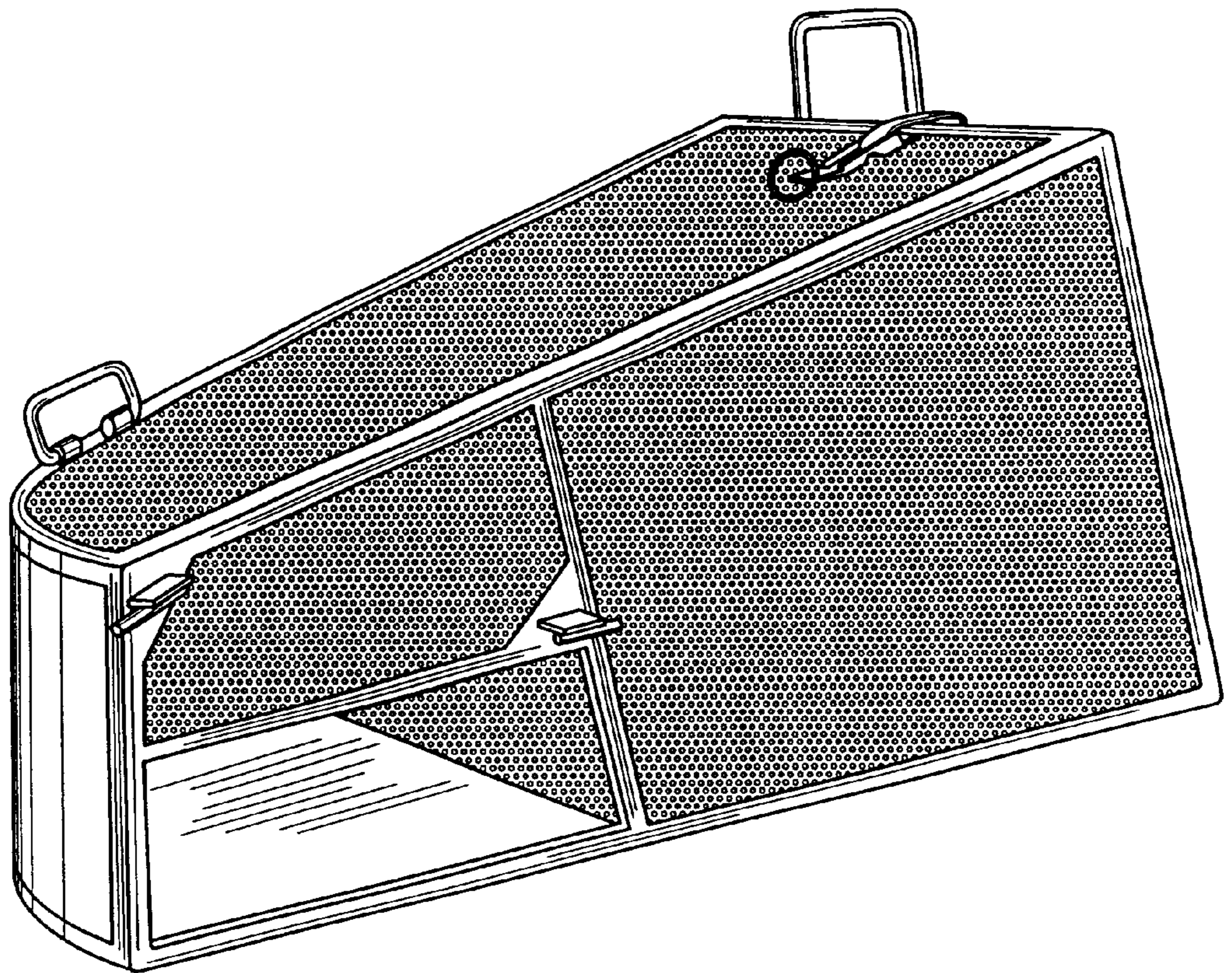


FIG. 1

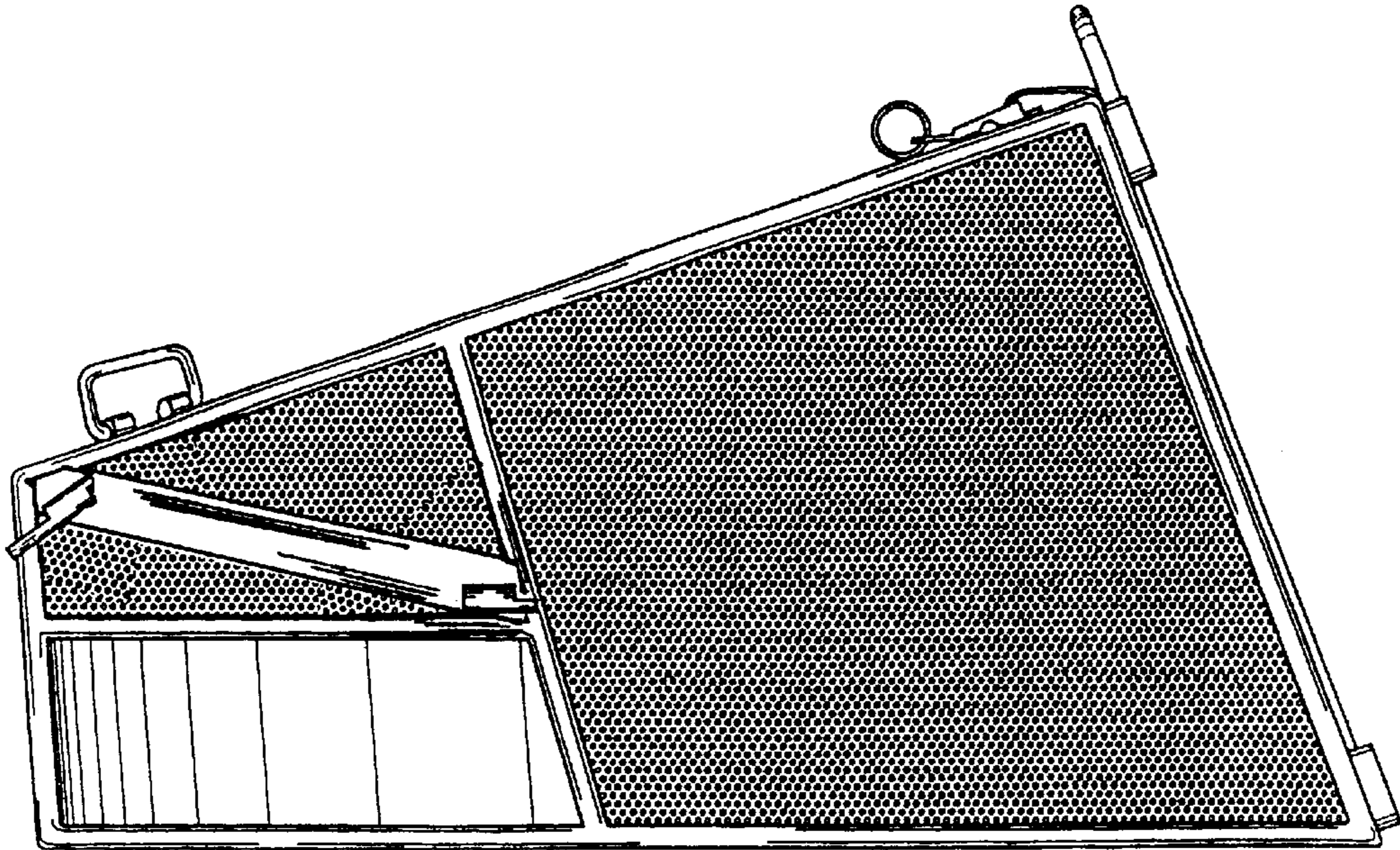


FIG. 2

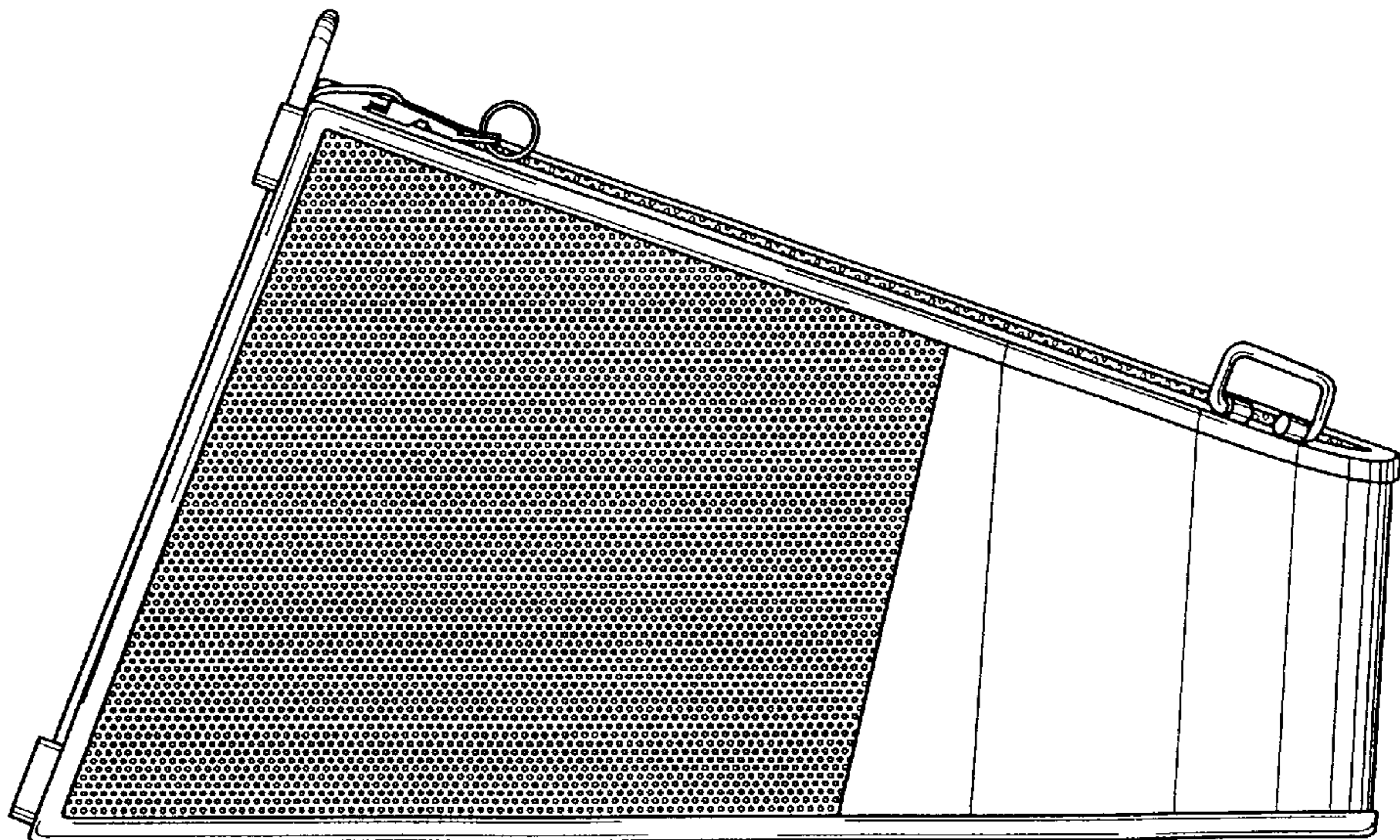


FIG. 3

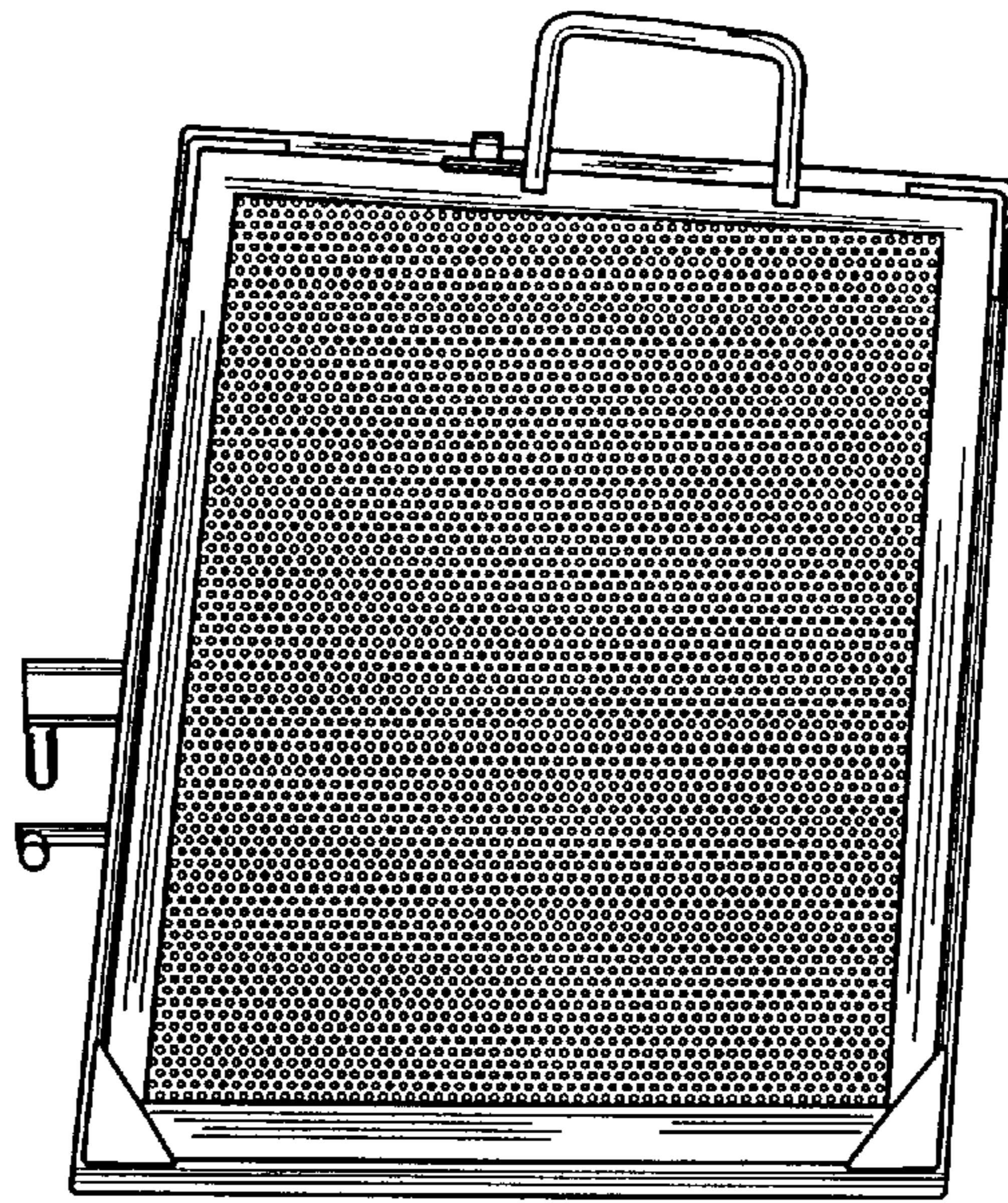


FIG. 4

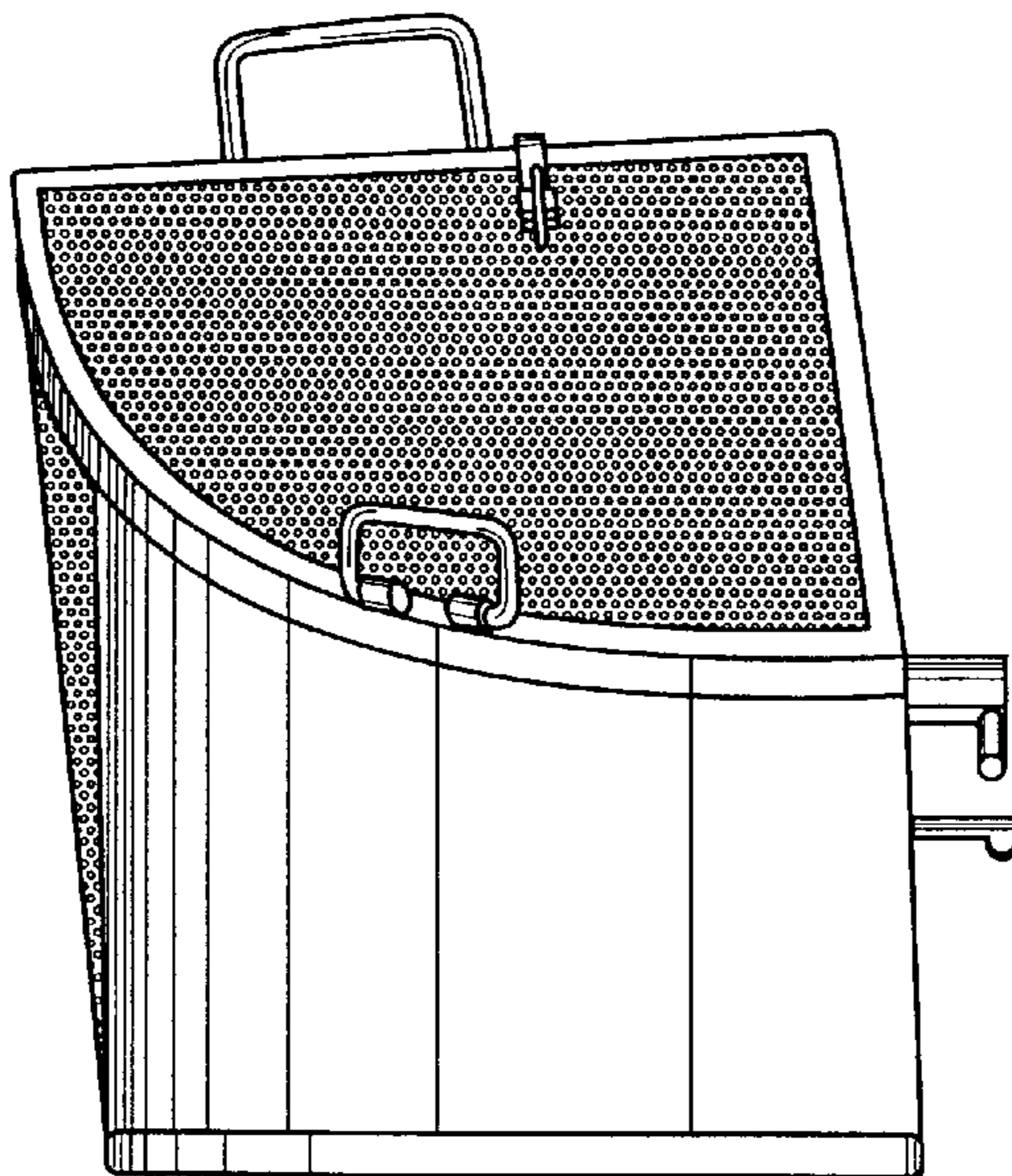


FIG. 5

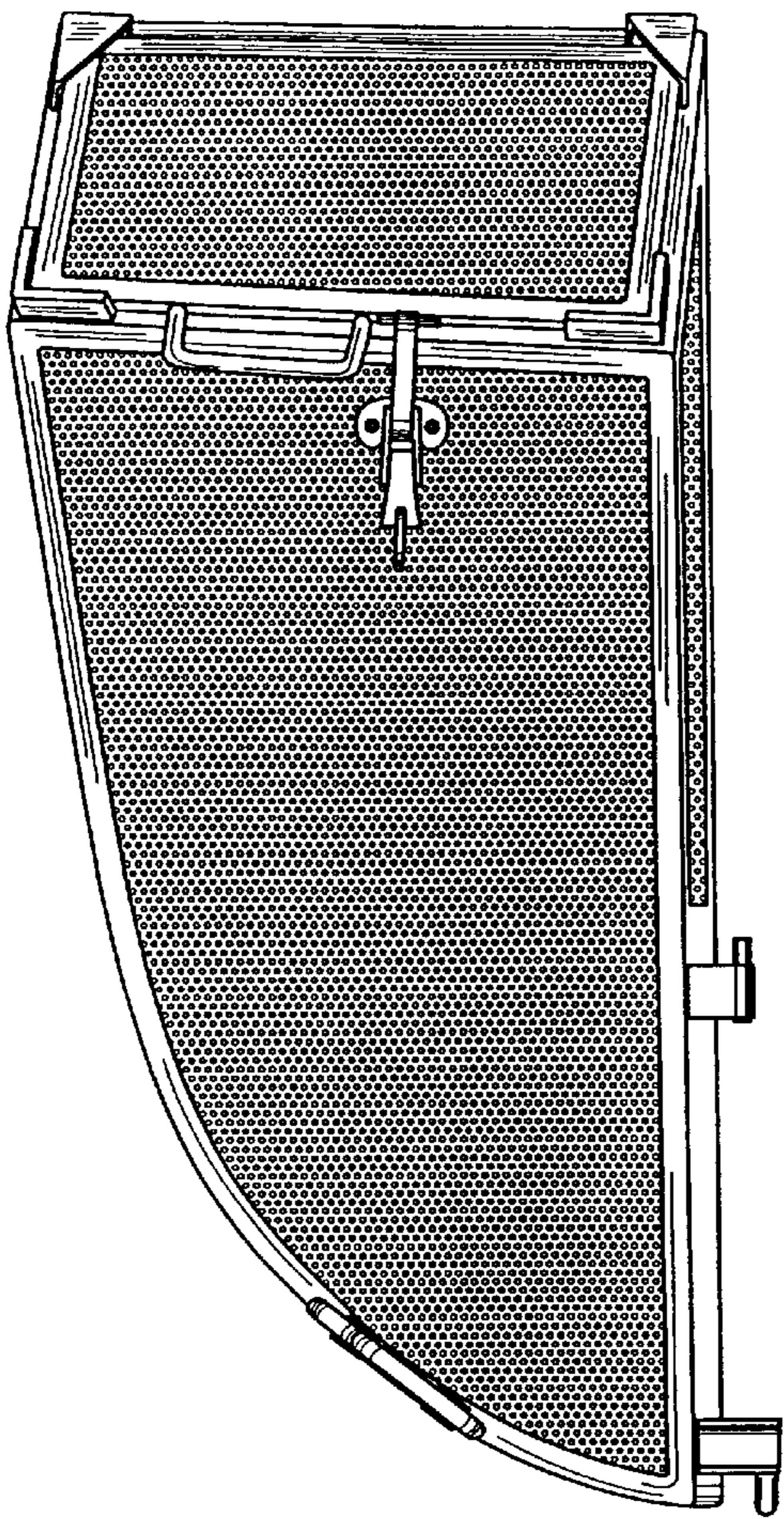


FIG. 6

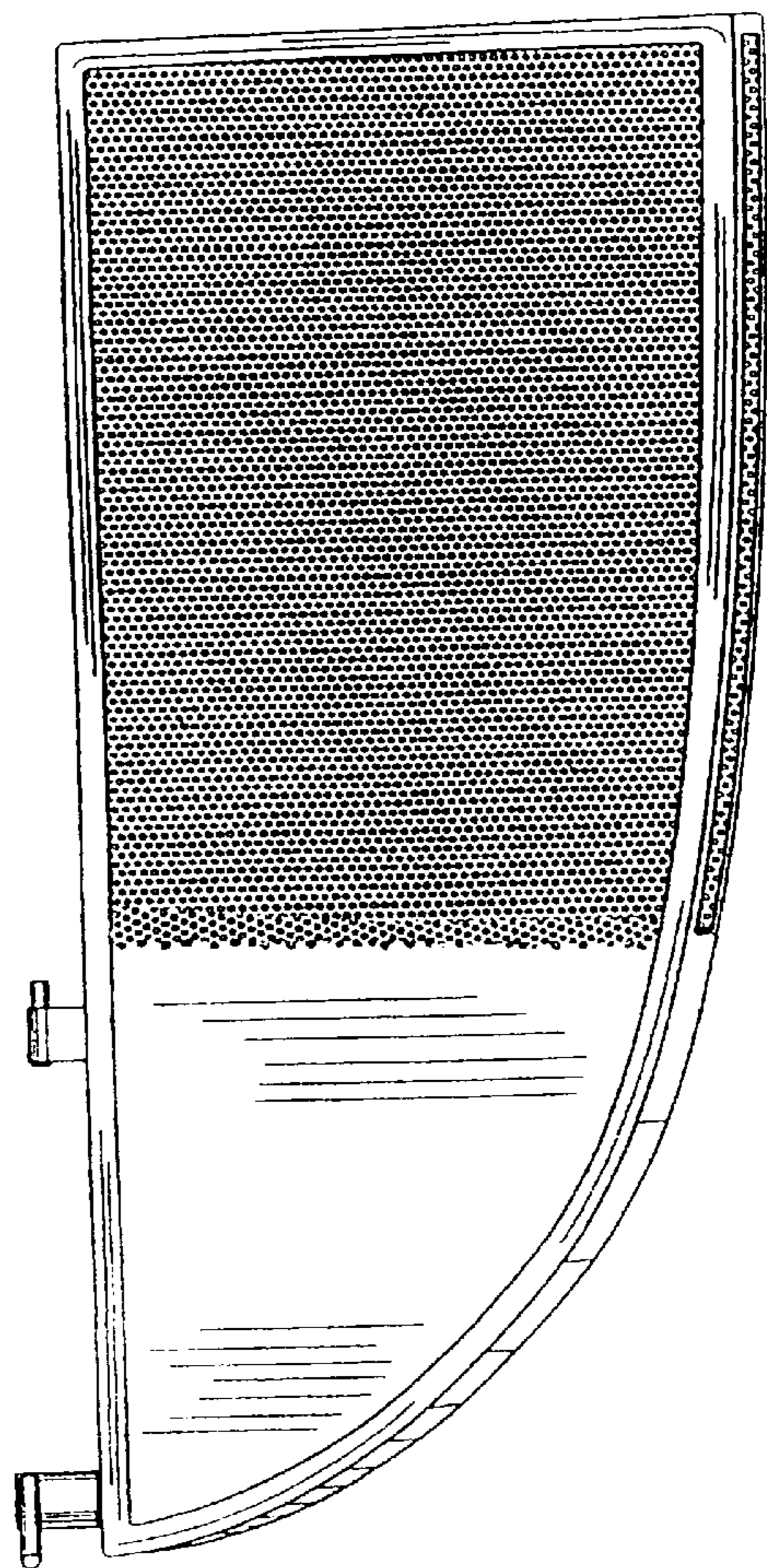


FIG. 7