



US00D450715B1

(12) **United States Design Patent**
Adams

(10) **Patent No.:** **US D450,715 S**

(45) **Date of Patent:** **** Nov. 20, 2001**

(54) **SNOW REMOVAL APPARATUS**

(76) Inventor: **Carletta Adams**, 3603 N. Washington Blvd., Indianapolis, IN (US) 46205

(**) Term: **14 Years**

(21) Appl. No.: **29/123,326**

(22) Filed: **May 16, 2000**

(51) **LOC (7) Cl.** **15-03**

(52) **U.S. Cl.** **D15/12**

(58) **Field of Search** D15/12, 25, 29;
37/228, 227, 260, 251, 229, 230; 126/343.5 A,
343.5 R

(56) **References Cited**

U.S. PATENT DOCUMENTS

D. 253,174	*	10/1979	Mason	D15/12
3,304,632	*	2/1967	Kotlar et al.	37/228
3,309,798	*	3/1967	Devlin et al.	37/228
3,404,470	*	10/1968	Raiti	37/228
4,071,966	*	2/1978	Cohen	37/228
4,885,852	*	12/1989	Gudmundsson	37/260
5,479,730	*	1/1996	Gogan	37/237
5,588,231	*	12/1996	Mavrianos	37/227
5,956,872	*	9/1999	Mavrianos	27/228

* cited by examiner

Primary Examiner—Mitchell Siegel

(74) *Attorney, Agent, or Firm*—Woodard, Emhardt, Naughton, Moriarty & McNett

(57) **CLAIM**

The ornamental design for a snow removal apparatus, as shown and described.

DESCRIPTION

FIG. 1 is a side elevation of the snow removal apparatus of the present invention, the broken line showing is for illustrative purposes only and forms no part of the claimed design.

FIG. 2 is a top plan view.

FIG. 3 is a rear elevation.

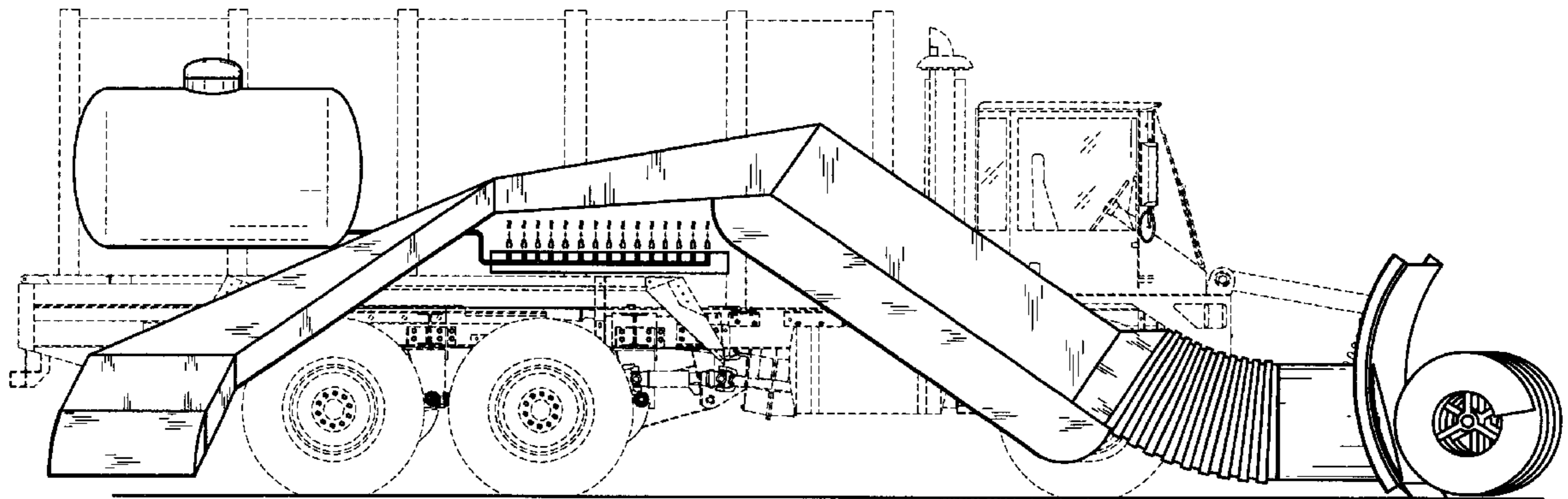
FIG. 4 is a side elevation looking at the opposite side from FIG. 1.

FIG. 5 is a view similar to FIG. 4 but showing the snow removal apparatus without the environment of FIG. 4.

FIG. 6 is a front elevation; and,

FIG. 7 is a bottom plan view.

1 Claim, 7 Drawing Sheets



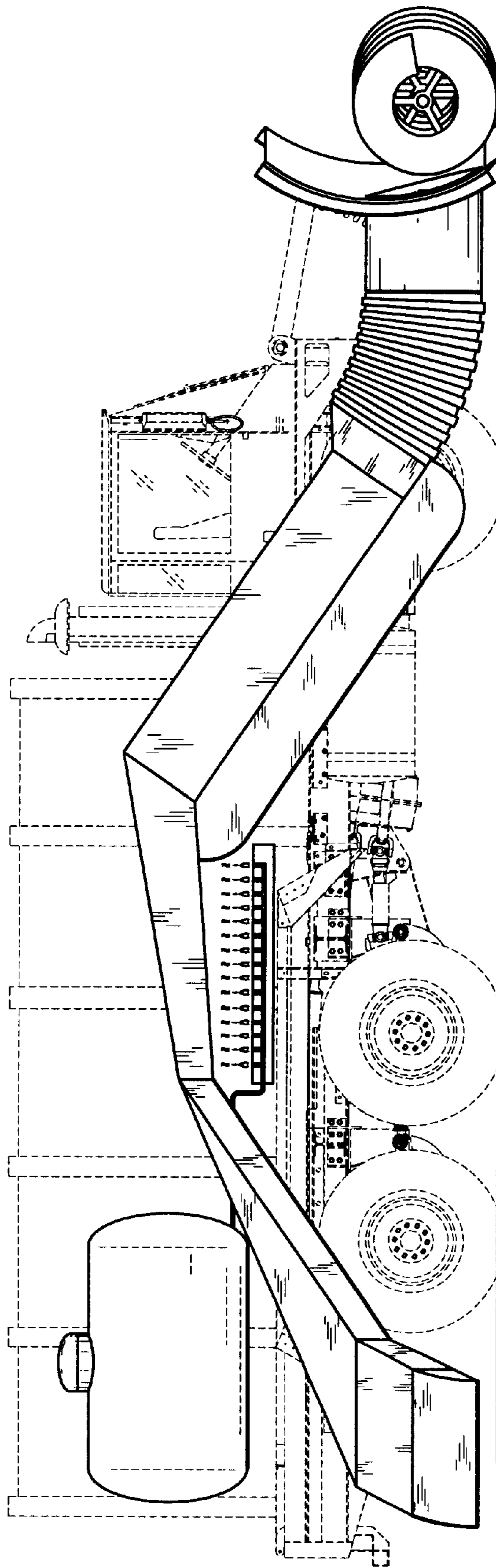


Fig. 1

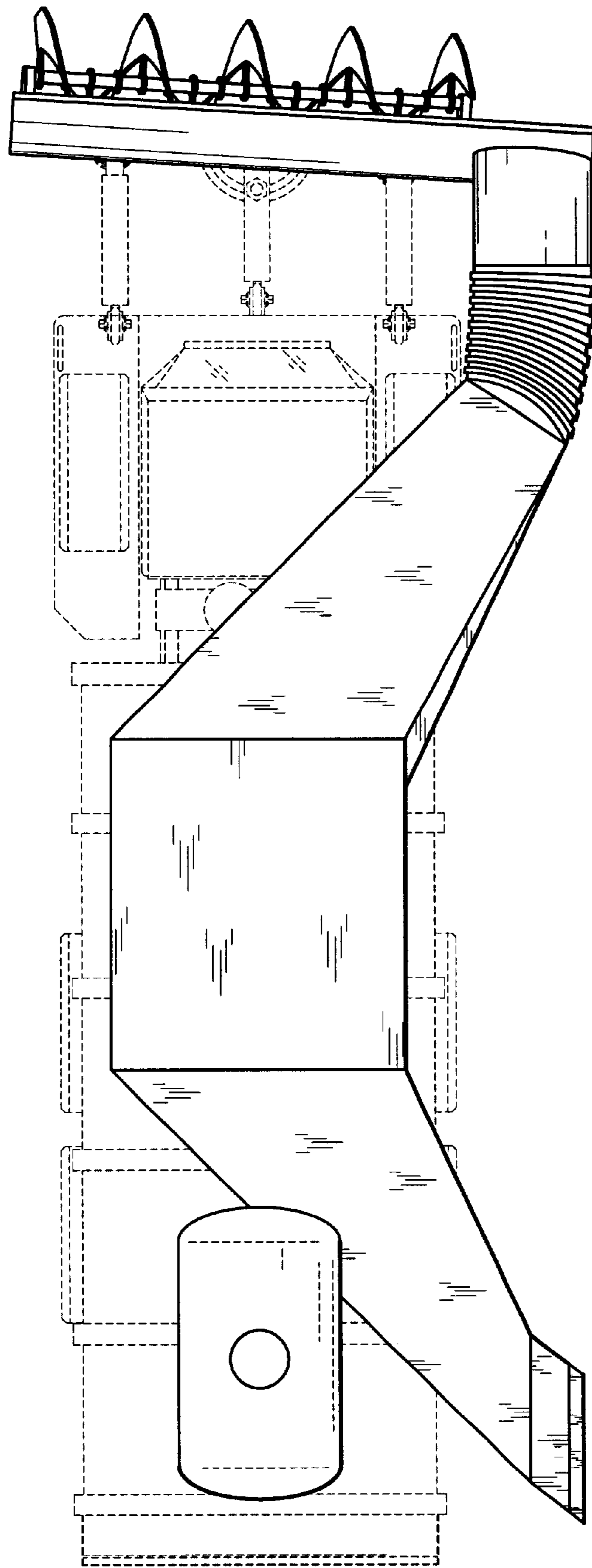


Fig. 2

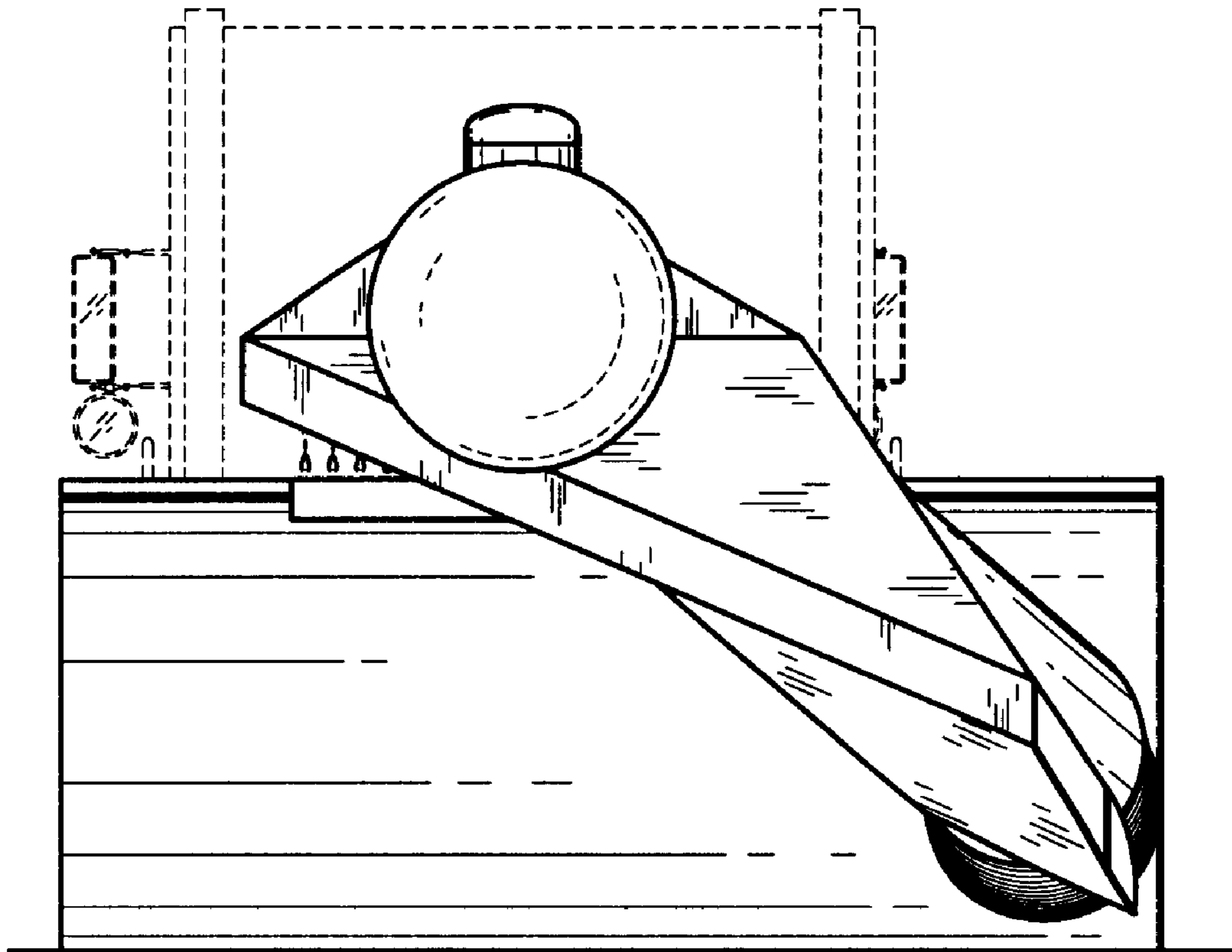


Fig. 3

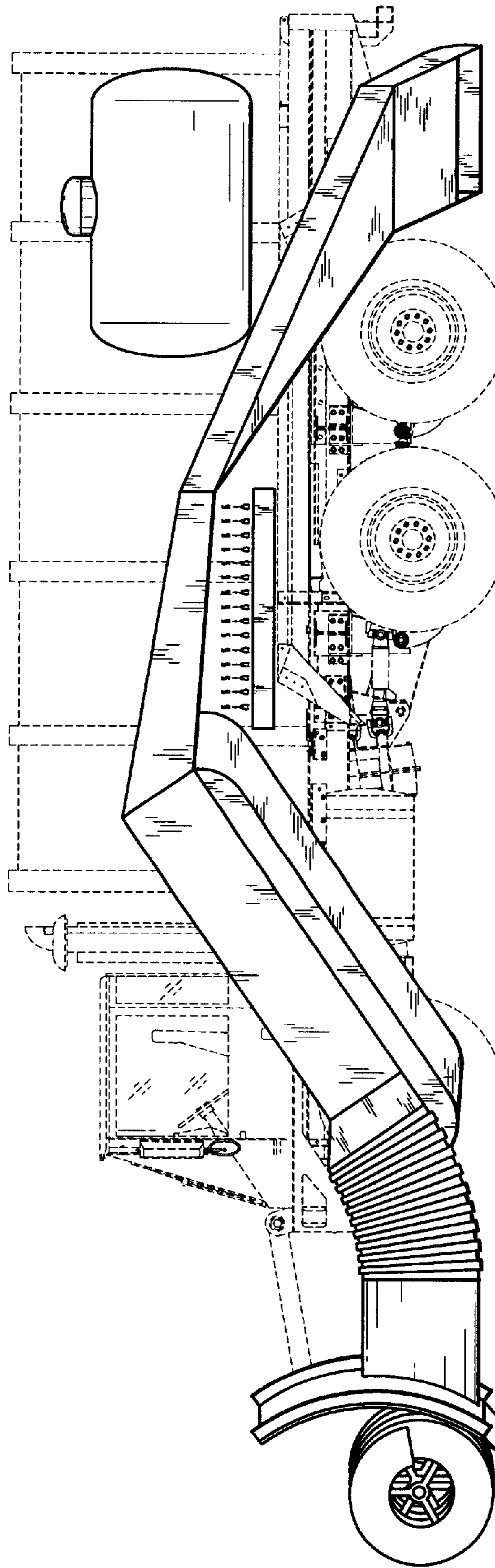


Fig. 4

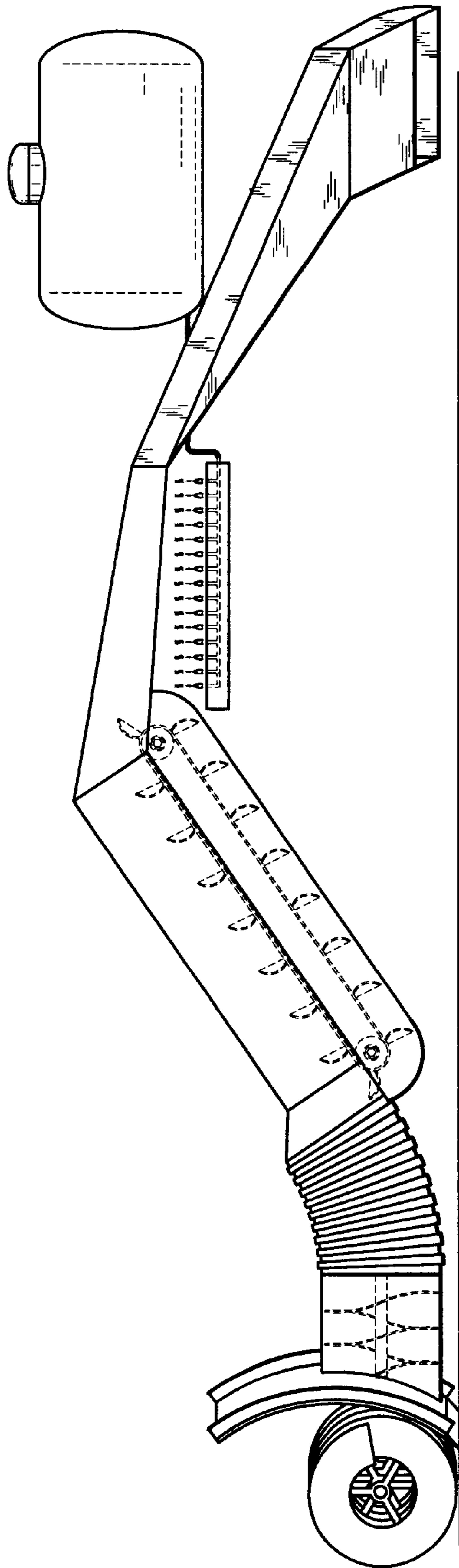


Fig. 5

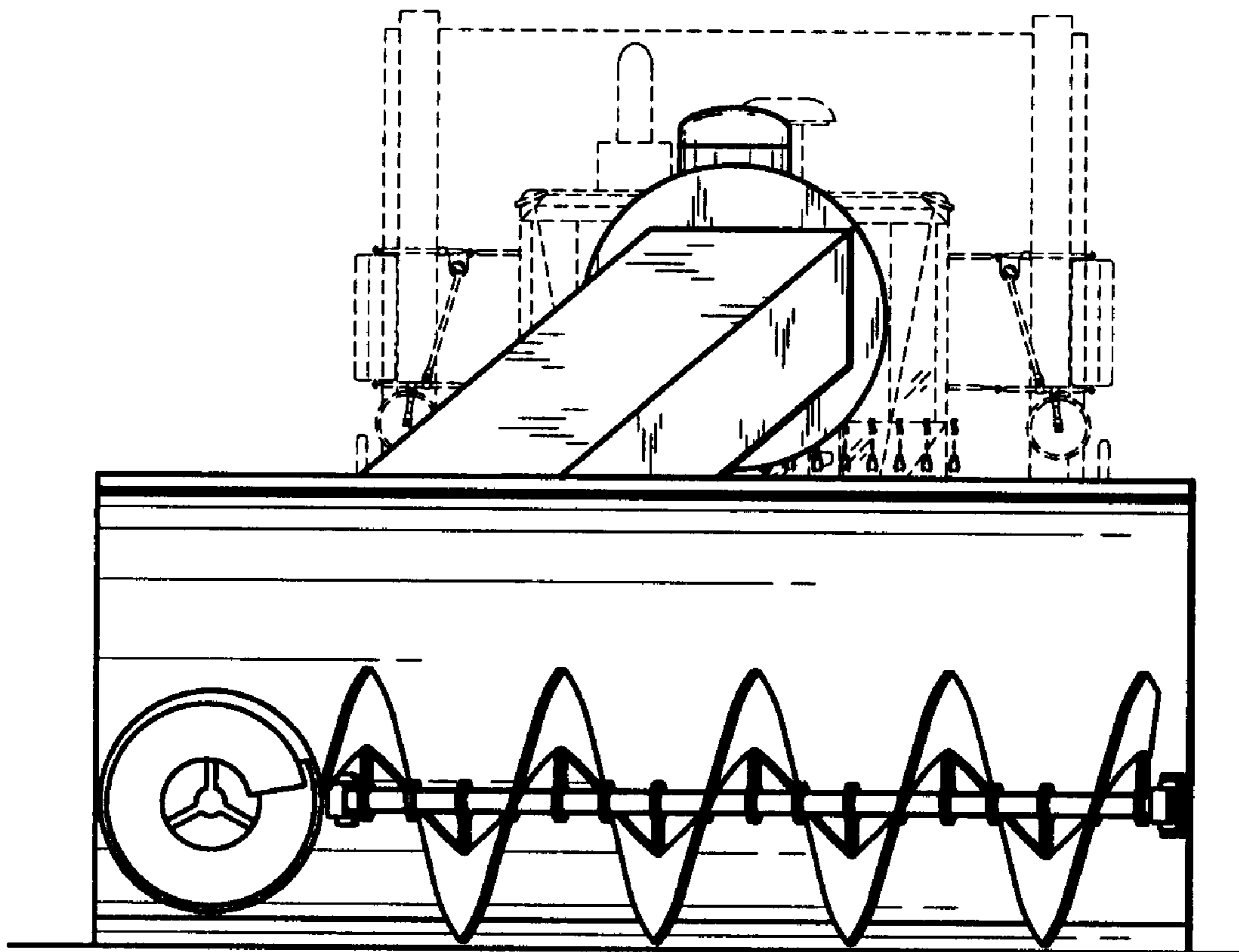


Fig. 6

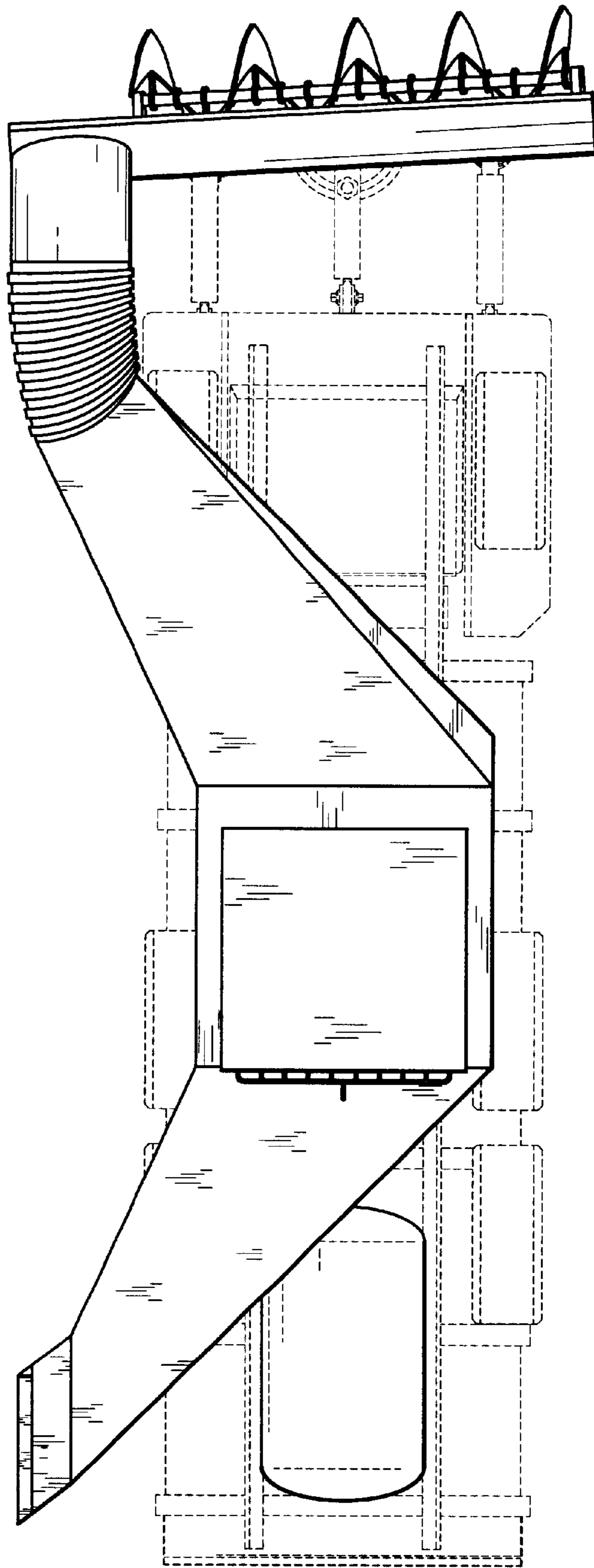


Fig. 7