



US00D450714B1

(12) **United States Design Patent**
Gaylord

(10) **Patent No.:** **US D450,714 S**

(45) **Date of Patent:** **** Nov. 20, 2001**

(54) **TUBE HEATER FOR ENGINE BLOCK**

5,662,072 * 9/1997 Suzuki et al. 123/41.14

(75) Inventor: **Joe W. Gaylord**, Post Falls, ID (US)

* cited by examiner

(73) Assignee: **Kim Hotstart Mfg. Co.**, Spokane, WA (US)

Primary Examiner—Stella Reid

(74) *Attorney, Agent, or Firm*—Wells, St. John, Roberts, Gregory & Matkin P.S.

(**) Term: **14 Years**

(57) **CLAIM**

(21) Appl. No.: **29/132,521**

The ornamental design for a tube heater for engine block, as shown and described.

(22) Filed: **Nov. 9, 2000**

DESCRIPTION

(51) **LOC (7) Cl.** **15-01**

(52) **U.S. Cl.** **D15/5; D15/1**

(58) **Field of Search** D24/216; 219/534,
219/535; 392/478, 479, 480, 483-485;
D15/5, 1

FIG. 1 is a top perspective view of a tube heater for engine block showing my new design;

FIG. 2 is a front end view thereof;

FIG. 3 is a rear end view thereof as seen from the left in FIG. 1;

FIG. 4 is a side elevation view thereof;

FIG. 5 is a side elevation view thereof, opposite the side shown in FIG. 4; and,

FIG. 6 is a bottom plan view thereof.

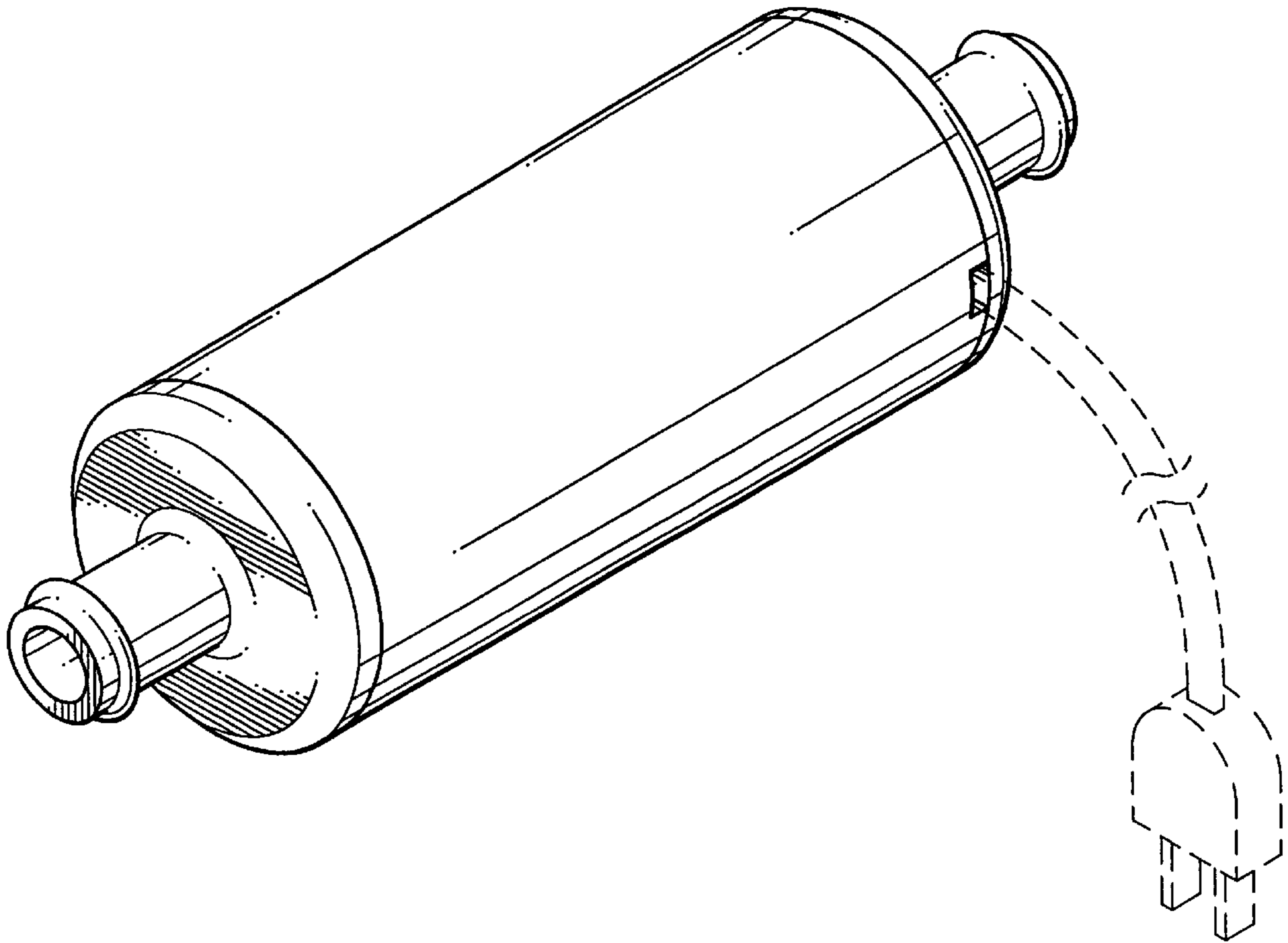
The broken line showing is for illustrative purposes only and is not considered part of the claimed design.

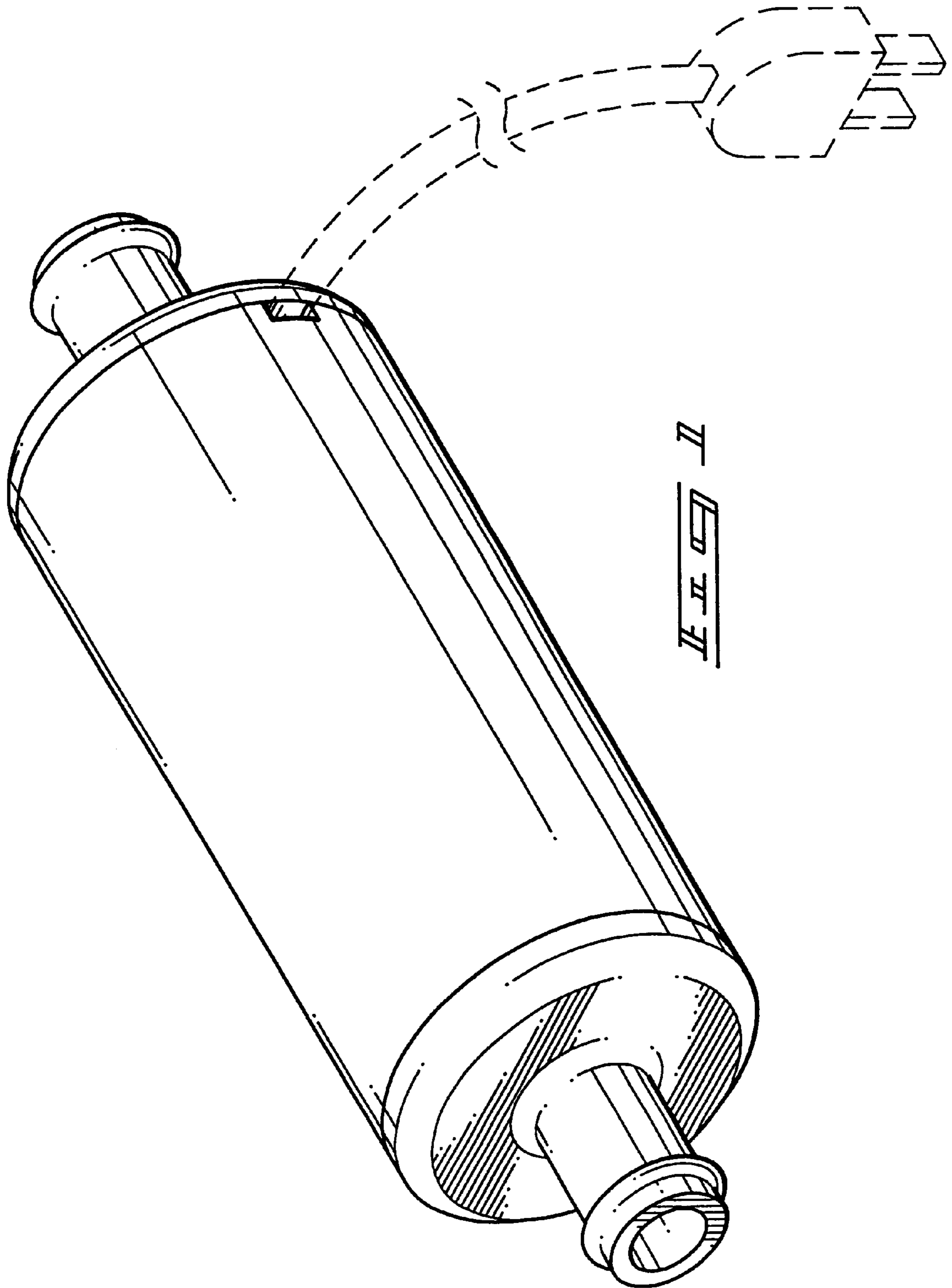
(56) **References Cited**

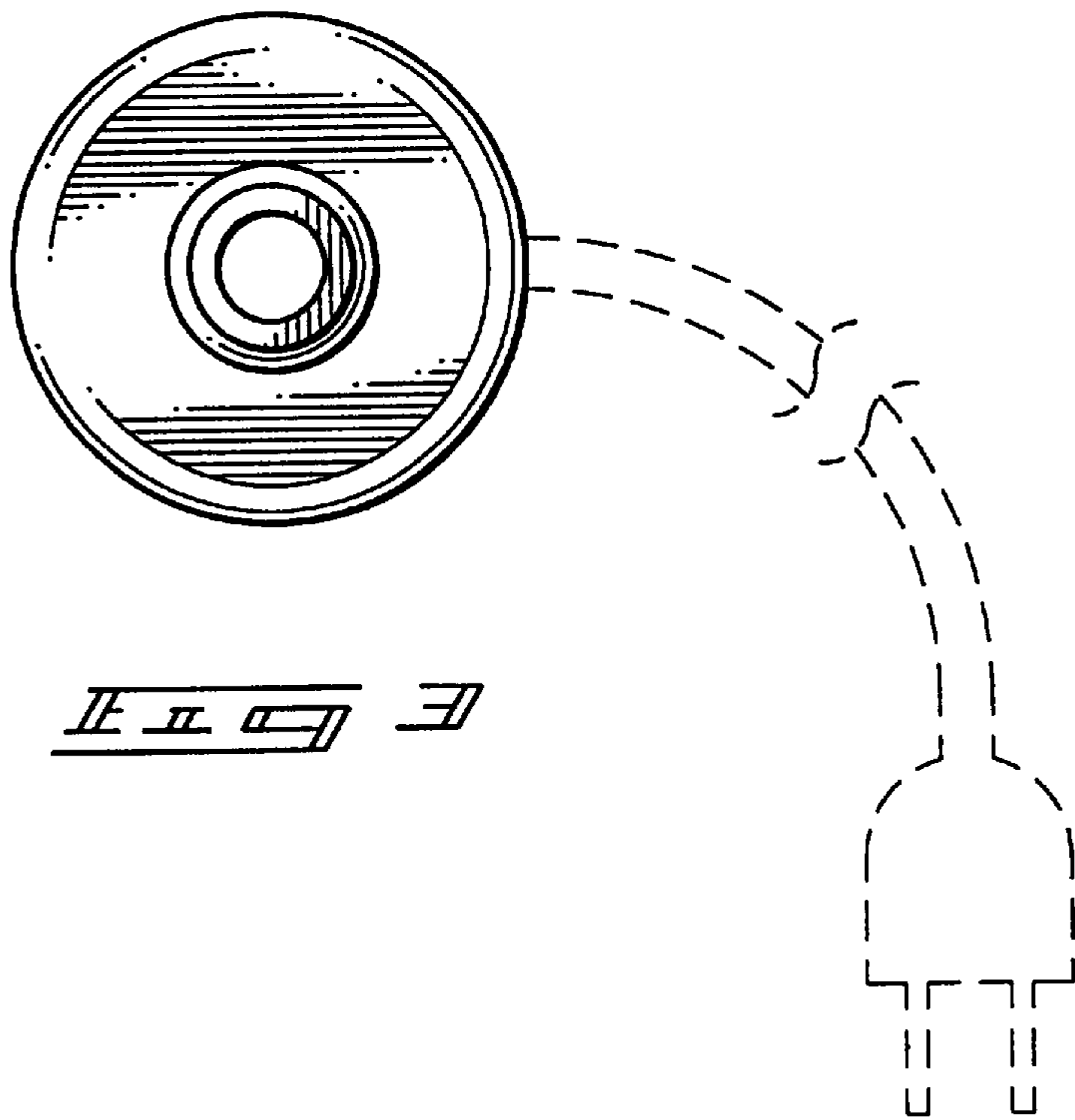
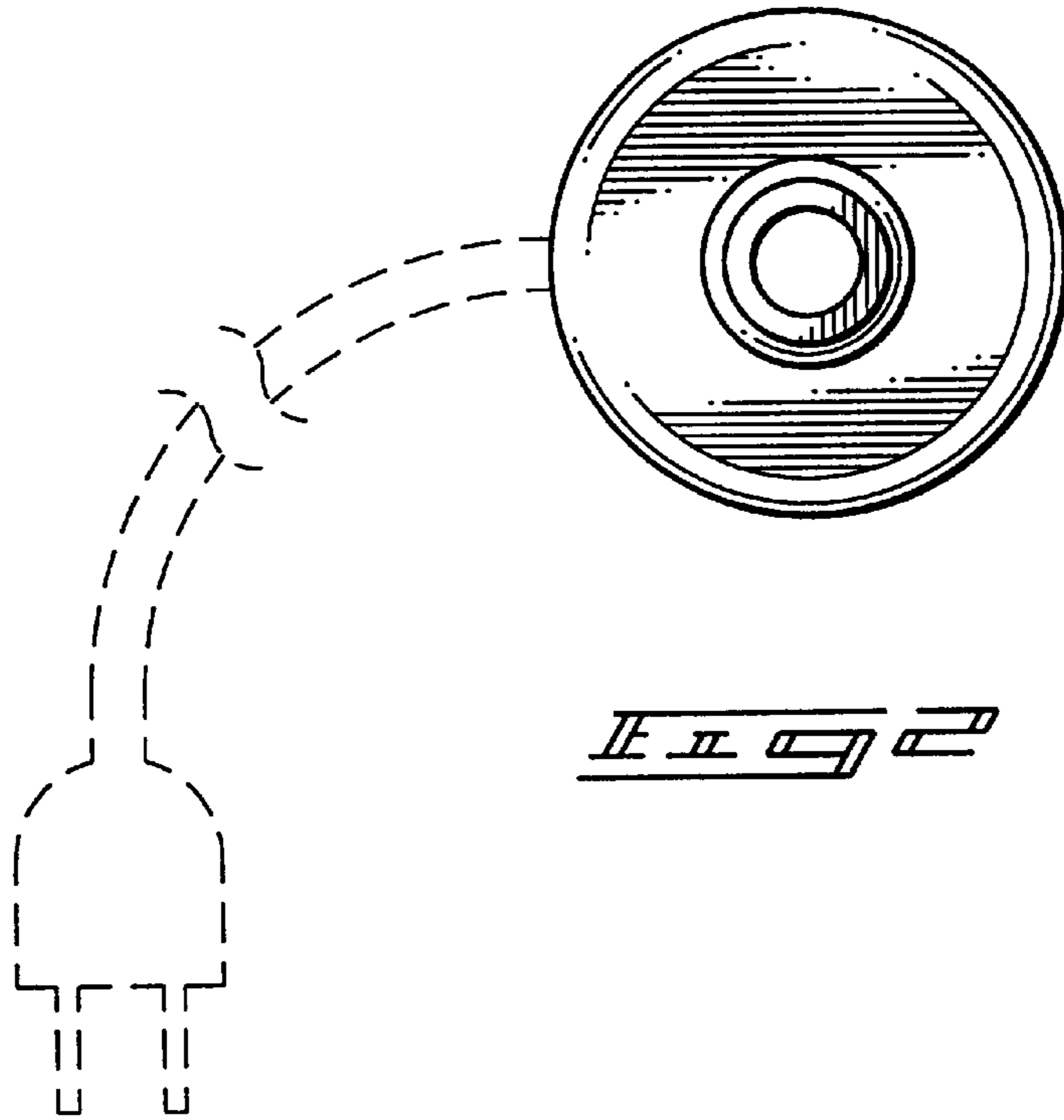
U.S. PATENT DOCUMENTS

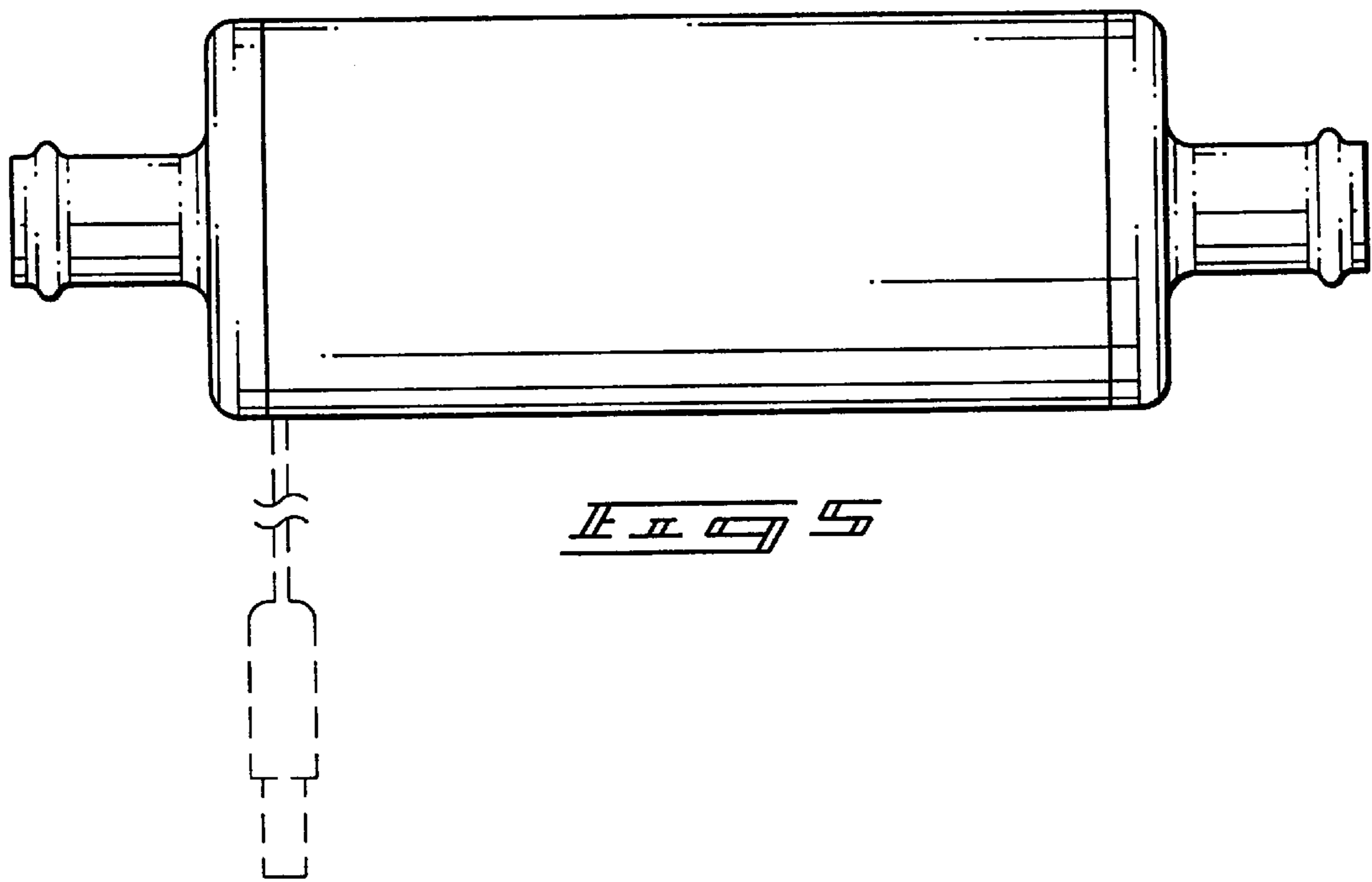
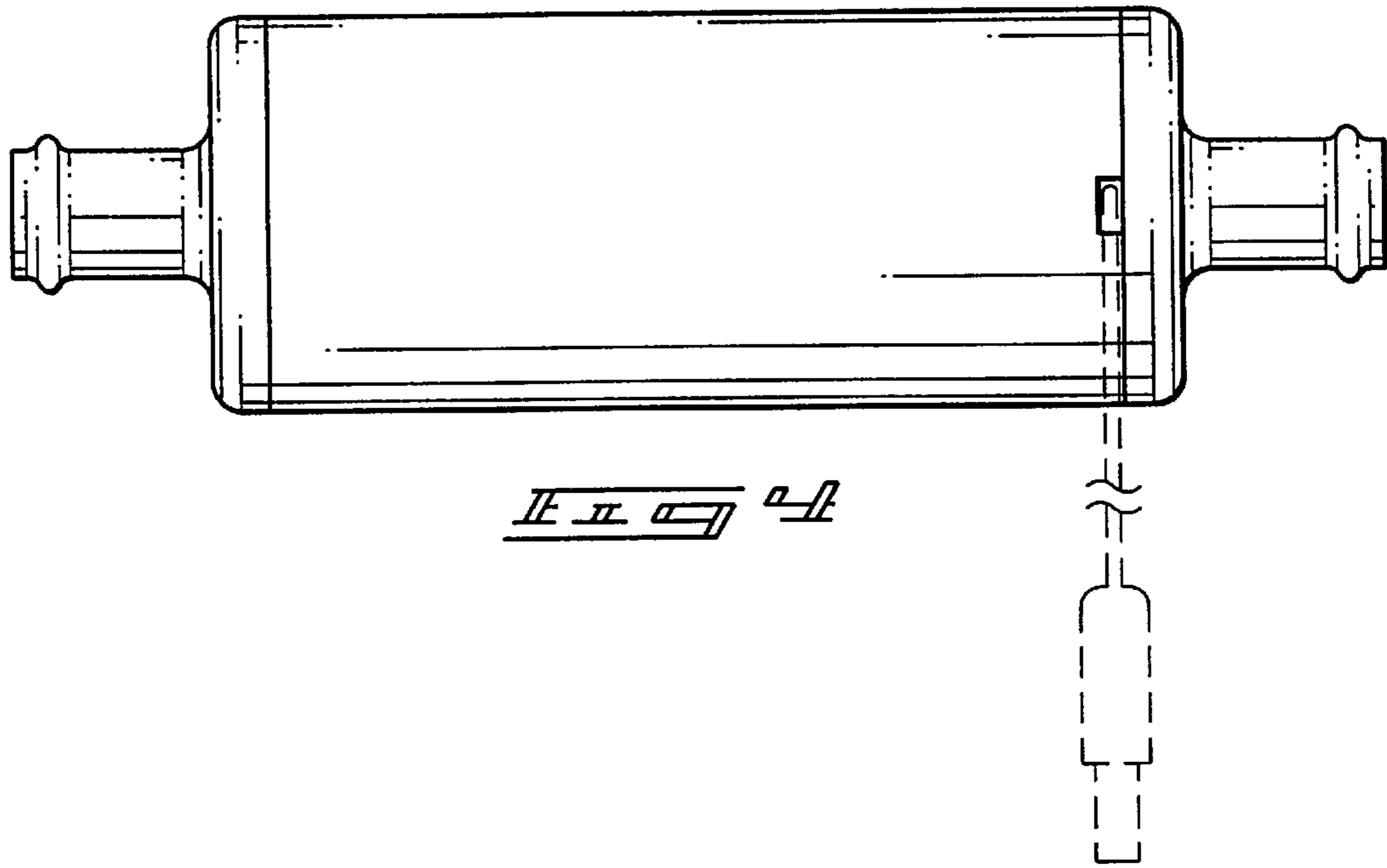
- D. 310,817 * 9/1990 Johnson et al. D13/119
- D. 387,776 * 12/1997 Chan D15/5
- 3,919,520 * 11/1975 Pickard 219/208
- 4,964,797 * 10/1990 Hilton 431/328
- 5,210,393 * 5/1993 Shier 219/205

1 Claim, 4 Drawing Sheets









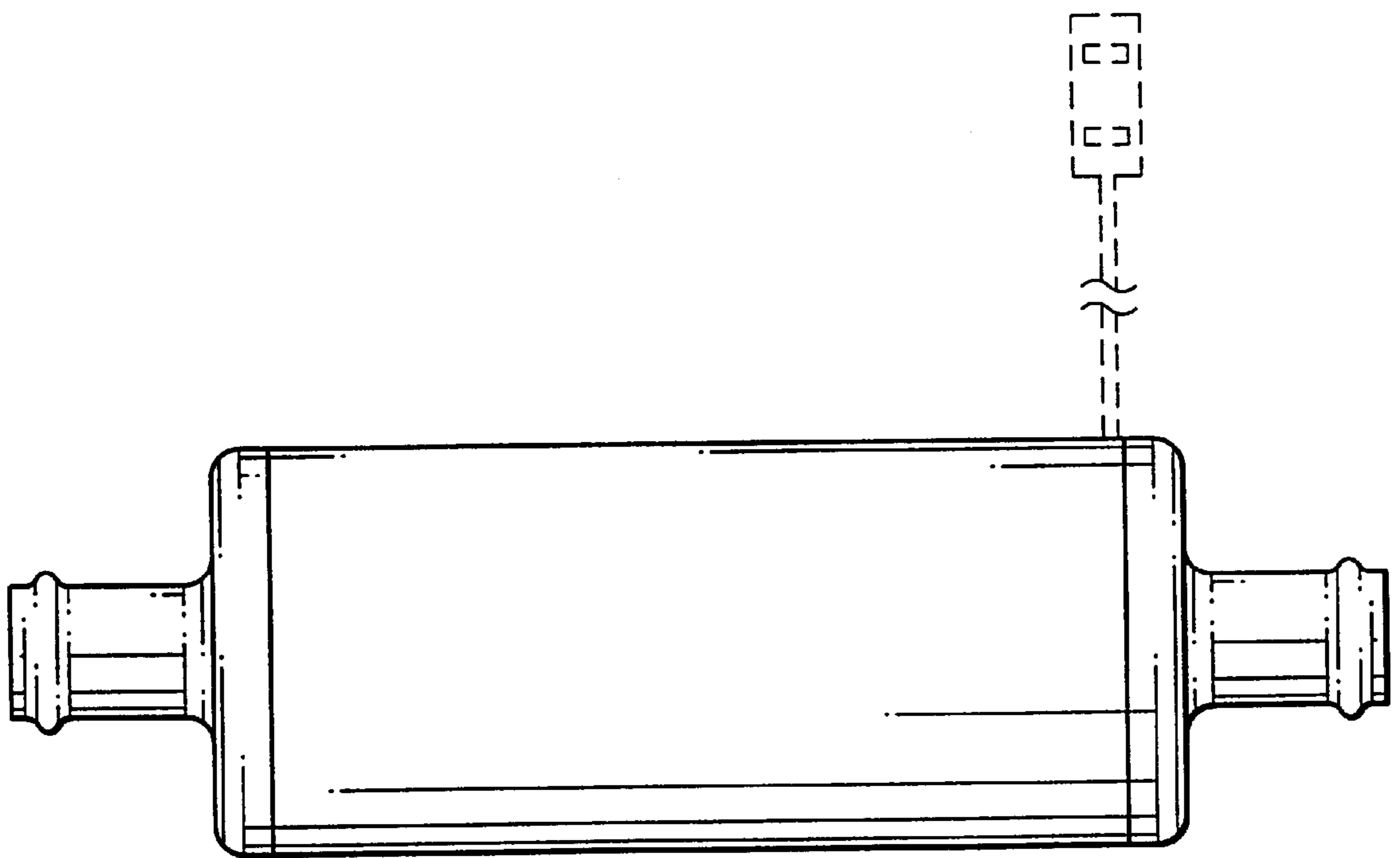


Fig. 6