



US00D450712B1

(12) **United States Design Patent**  
**Teodorescu**

(10) **Patent No.:** **US D450,712 S**

(45) **Date of Patent:** **\*\* Nov. 20, 2001**

(54) **DISK MASTERING APPARATUS**

5,781,368 \* 7/1998 Kotaki et al. .... 369/178  
6,042,205 \* 3/2000 Coffin et al. .... 369/178

(75) Inventor: **George Teodorescu**, Stuttgart (DE)

\* cited by examiner

(73) Assignee: **Nimbus Technology & Engineering**  
(GB)

*Primary Examiner*—Prabhakar Deshmukh  
(74) *Attorney, Agent, or Firm*—Larson & Taylor, PLC

(\*\*) Term: **14 Years**

(57) **CLAIM**

(21) Appl. No.: **29/127,533**

The ornamental design for a disk mastering apparatus, as shown and described.

(22) Filed: **Aug. 9, 2000**

**DESCRIPTION**

(30) **Foreign Application Priority Data**

Feb. 9, 2000 (GB) ..... 2090212

(51) **LOC (7) Cl.** ..... **14-03**

(52) **U.S. Cl.** ..... **D14/496**

(58) **Field of Search** ..... D14/496, 400,  
D14/401, 435, 474, 160, 168; D21/332,  
333; 278/148 B; 463/1, 29-47; 346/134,  
137, 139 R; 369/178, 272; 352/102, 242

FIG. 1 is a perspective front view of the disk mastering apparatus of the invention;  
FIG. 2 is a rear perspective view thereof;  
FIG. 3 is a front perspective view thereof with the front covers removed;  
FIG. 4 is a rear perspective view thereof with the covers removed;  
FIG. 5 is a top view thereof;  
FIG. 6 is a front elevational view thereof;  
FIG. 7 is a right side elevational view thereof;  
FIG. 8 is a left elevational side view thereof;  
FIG. 9 is a rear elevational view thereof;  
FIG. 10 is a left side elevational view thereof with covers removed;  
FIG. 11 is a rear elevational view thereof with covers removed; and,  
FIG. 12 is a bottom plan view thereof.

(56) **References Cited**

**U.S. PATENT DOCUMENTS**

D. 299,726 \* 2/1989 Yukawa ..... D21/332  
D. 356,835 \* 3/1995 Kaminski et al. .... D21/332  
3,914,773 \* 10/1975 Harrower ..... 346/137  
4,146,912 \* 3/1979 Kukreja ..... 346/137  
5,071,673 \* 12/1991 Anezaki et al. .... 346/137  
5,114,157 \* 5/1992 Kita ..... 463/44  
5,241,525 \* 8/1993 Taylor ..... 346/137

**1 Claim, 12 Drawing Sheets**

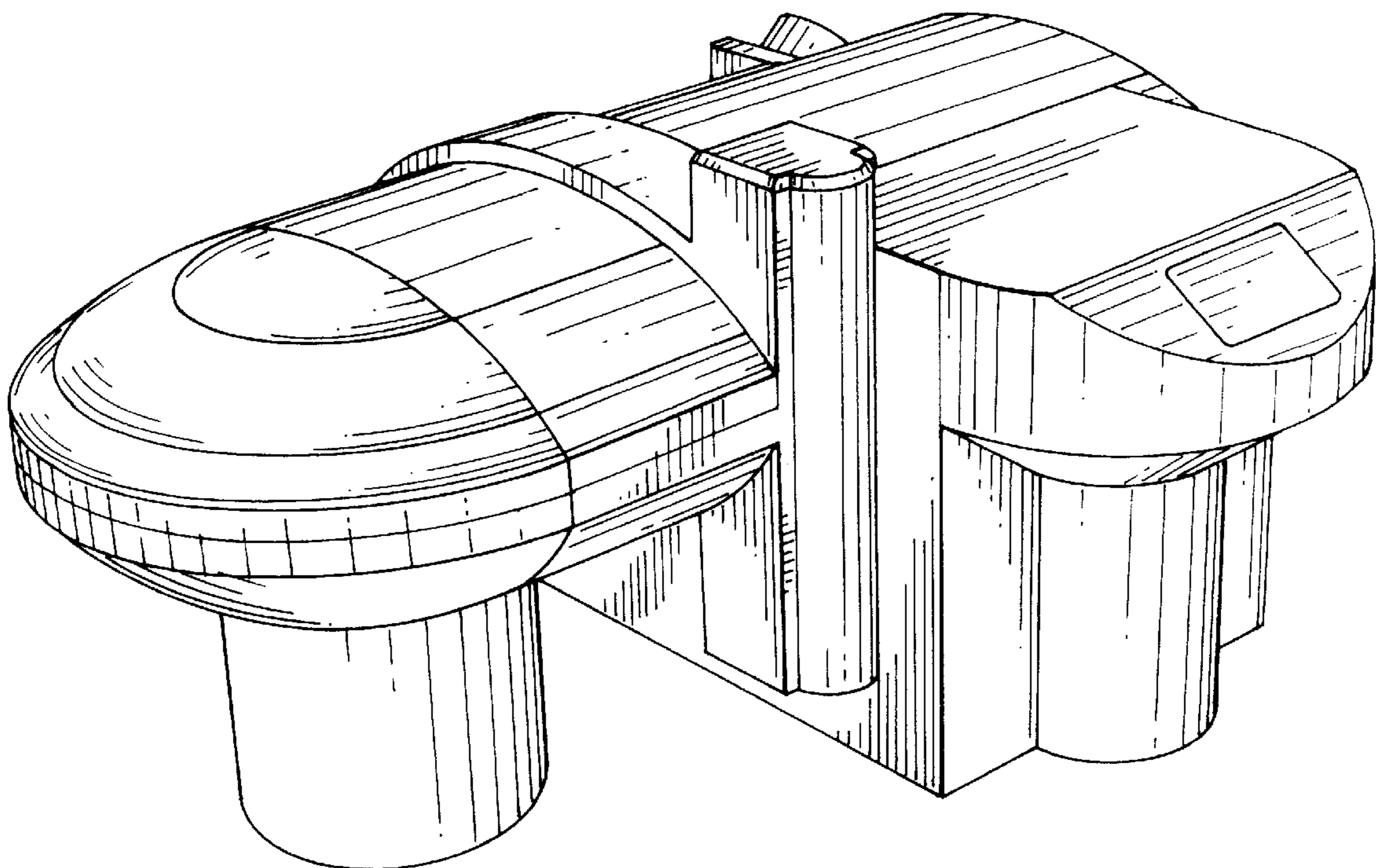


FIG. 1

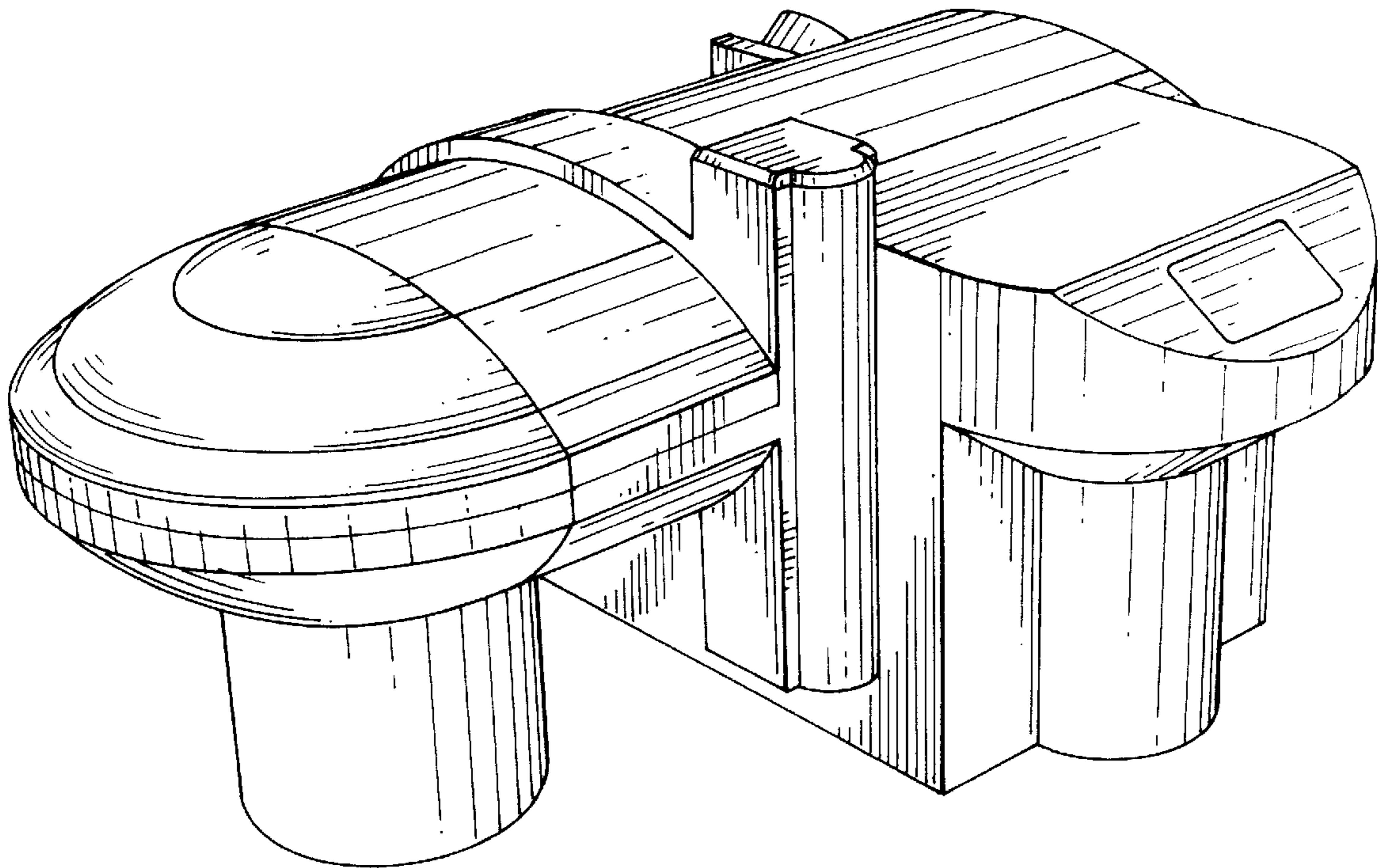


FIG. 2

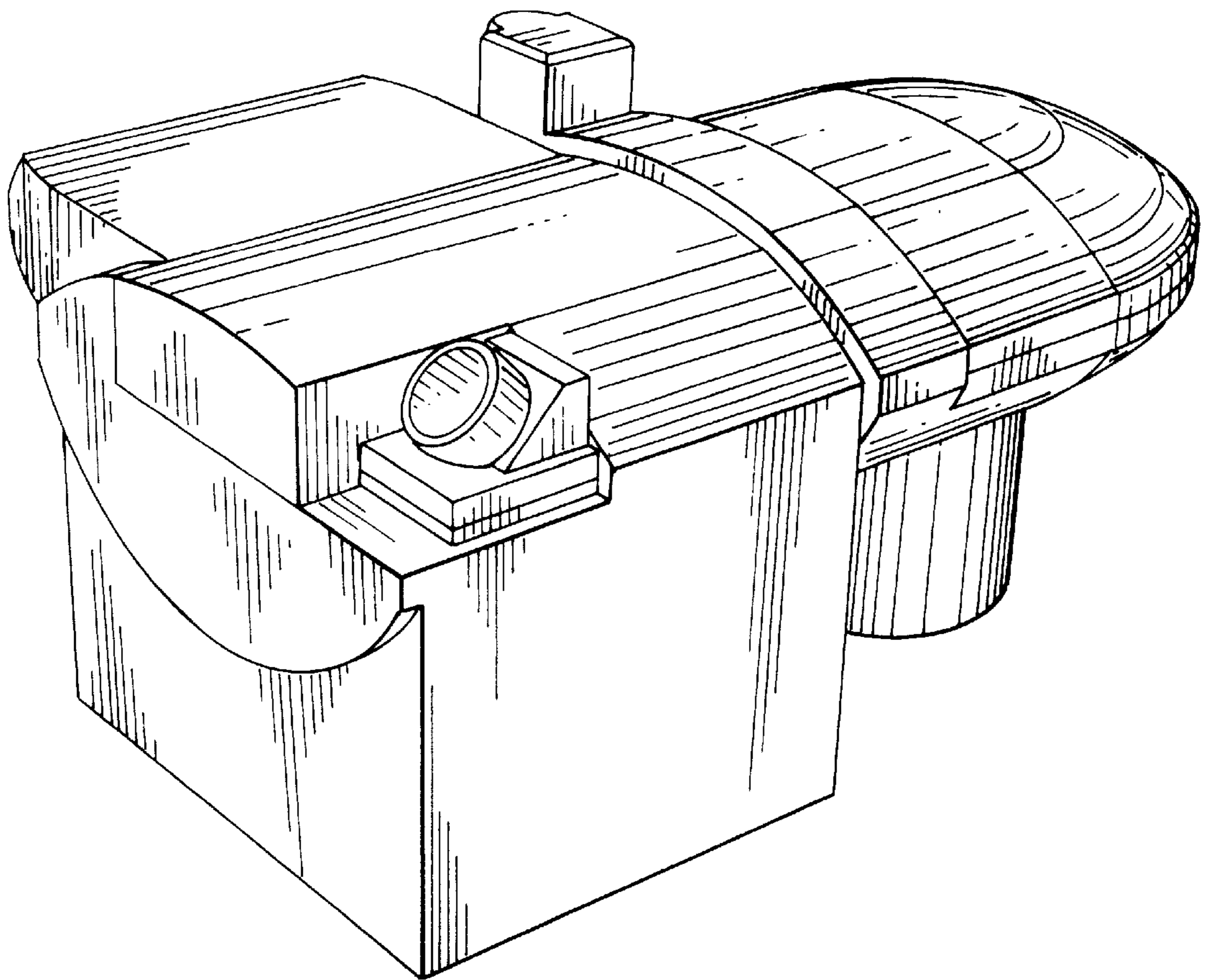


FIG. 3

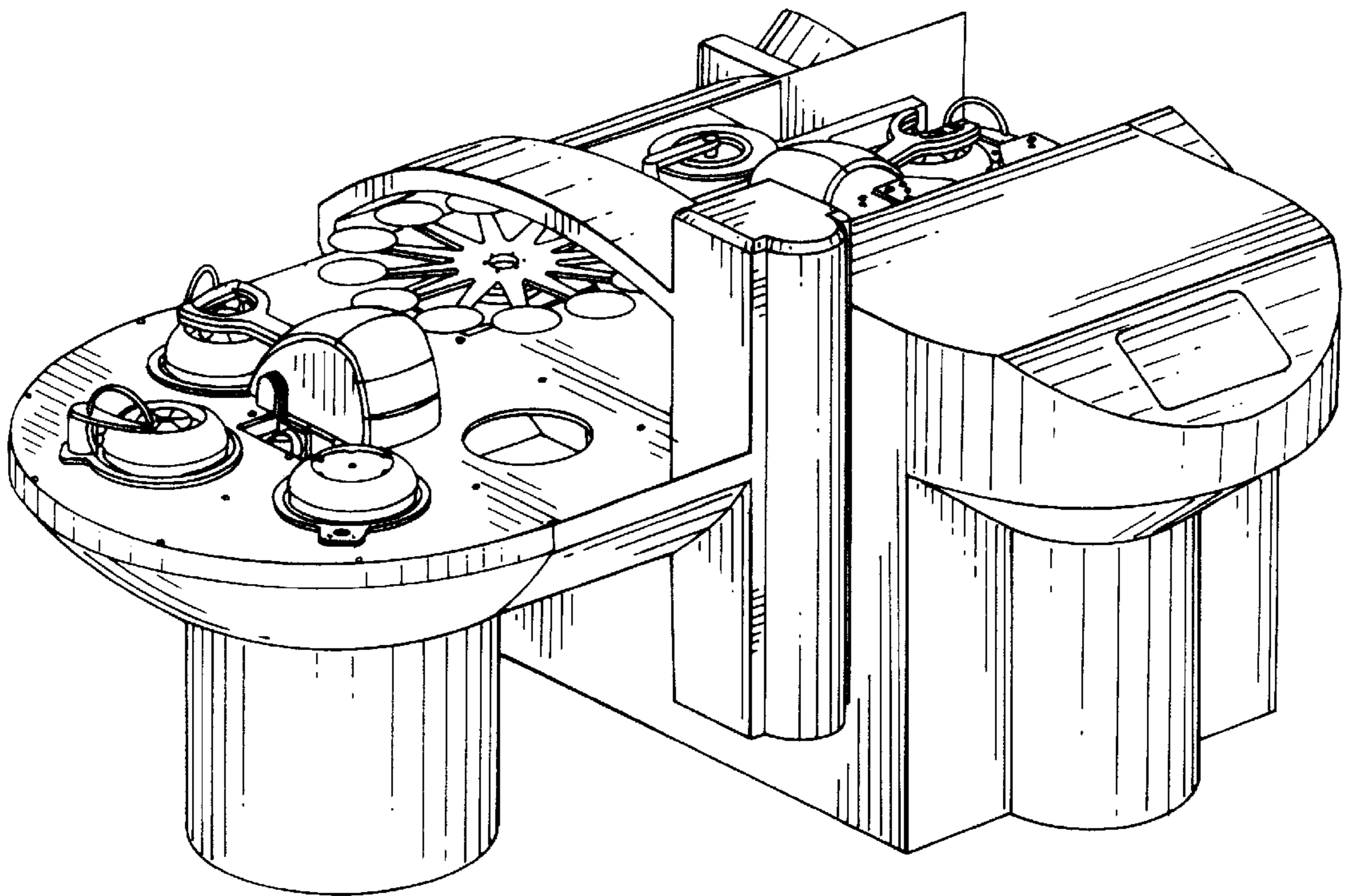
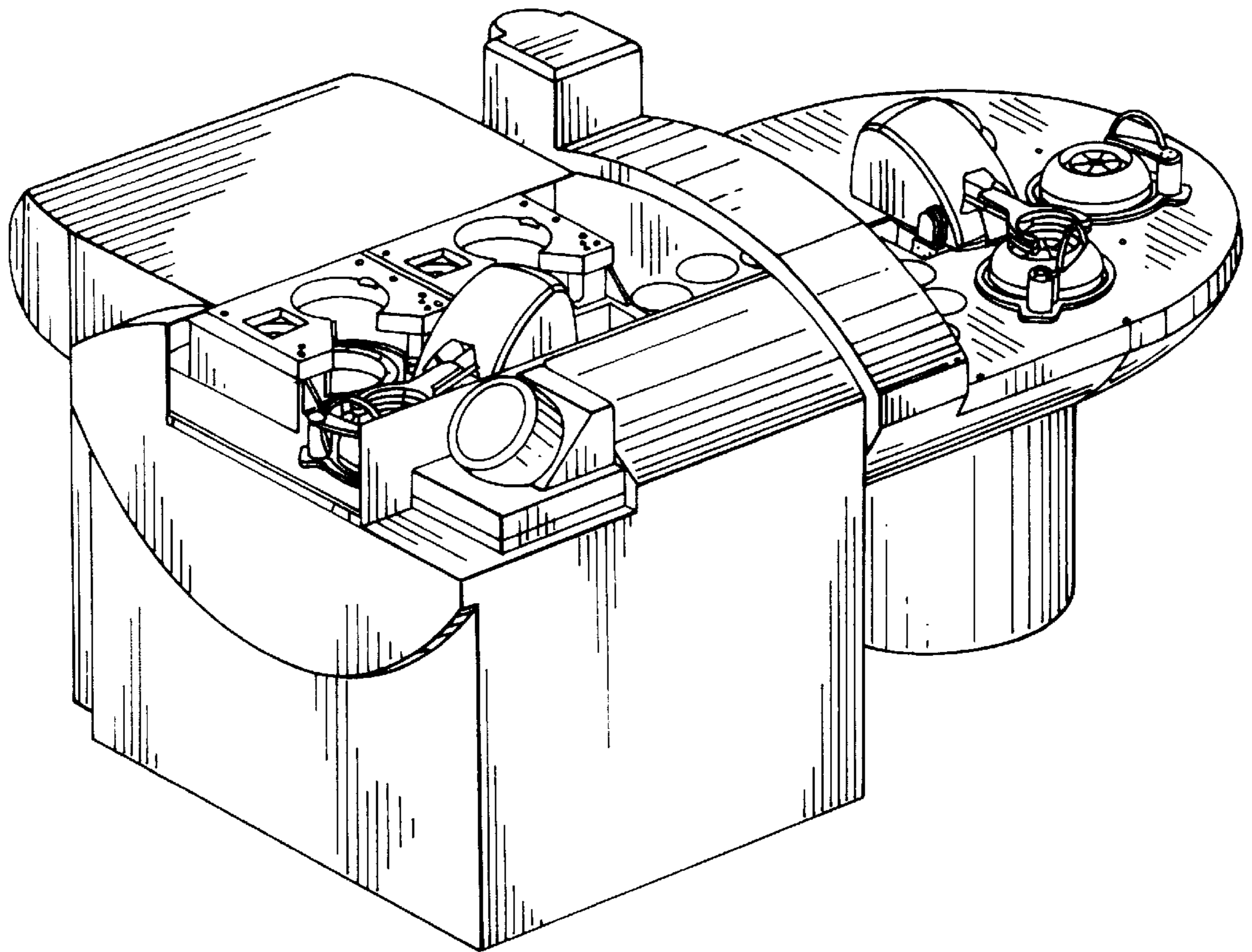


FIG. 4



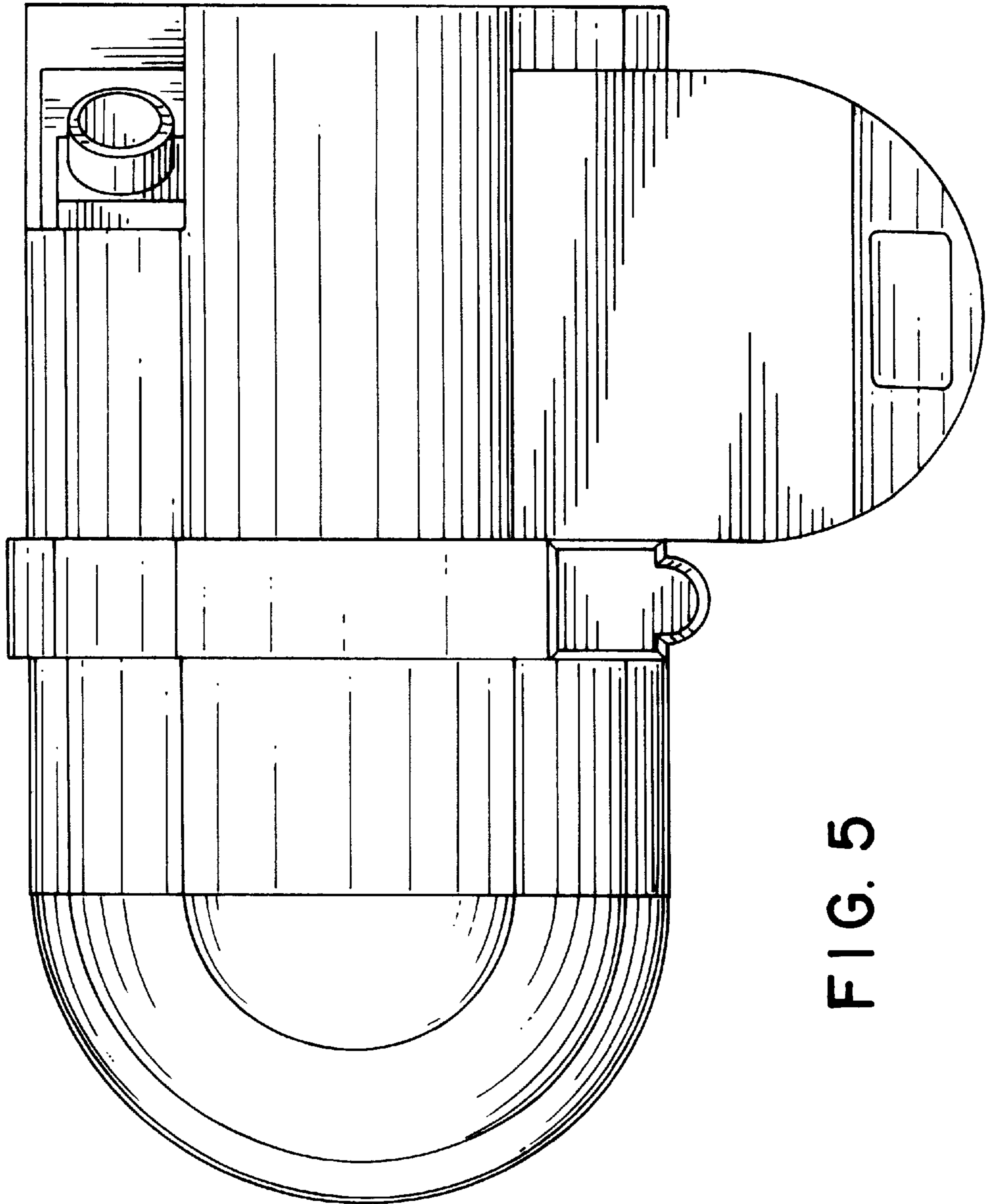


FIG. 5

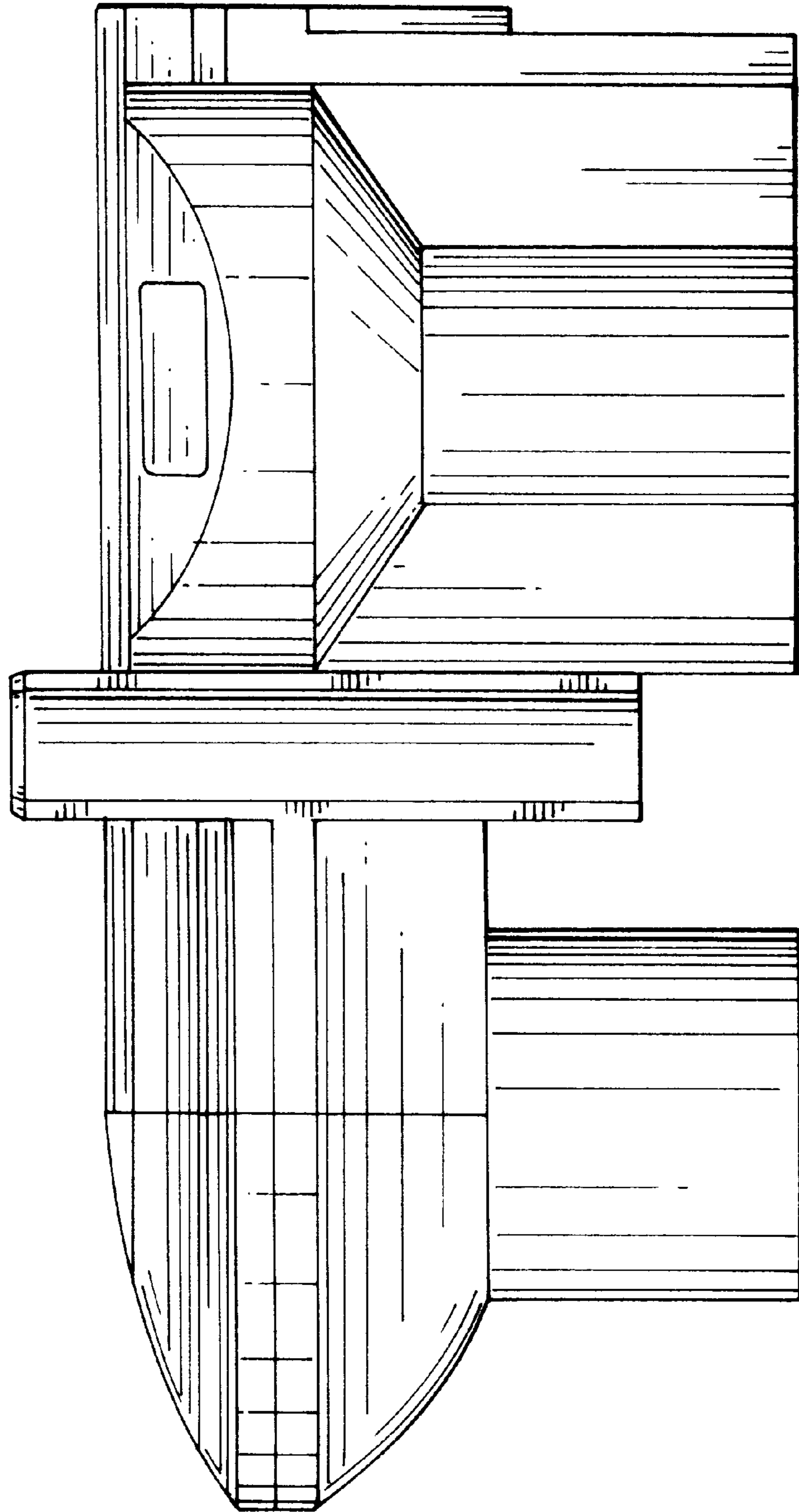


FIG. 6

FIG. 7

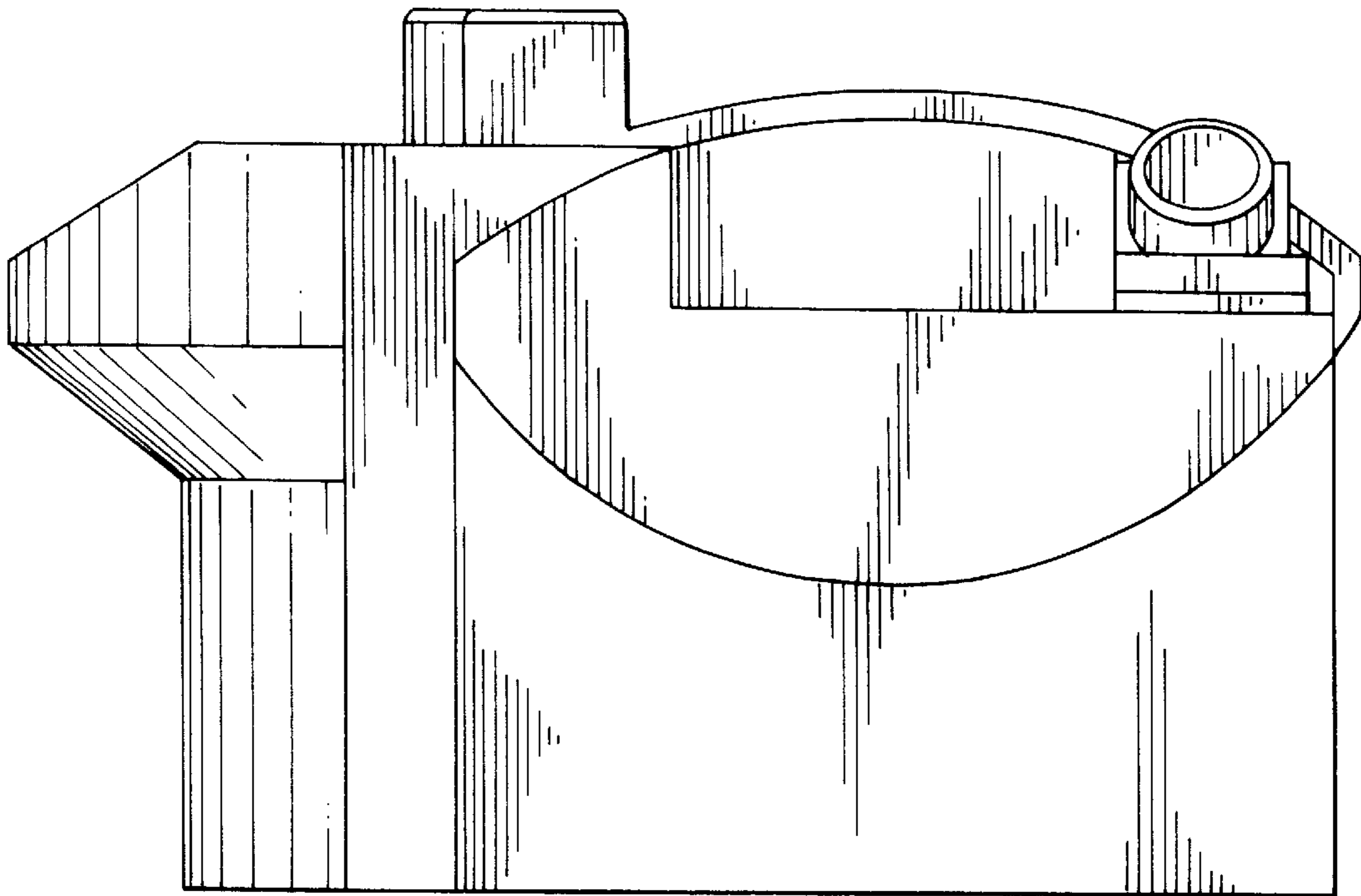




FIG. 8

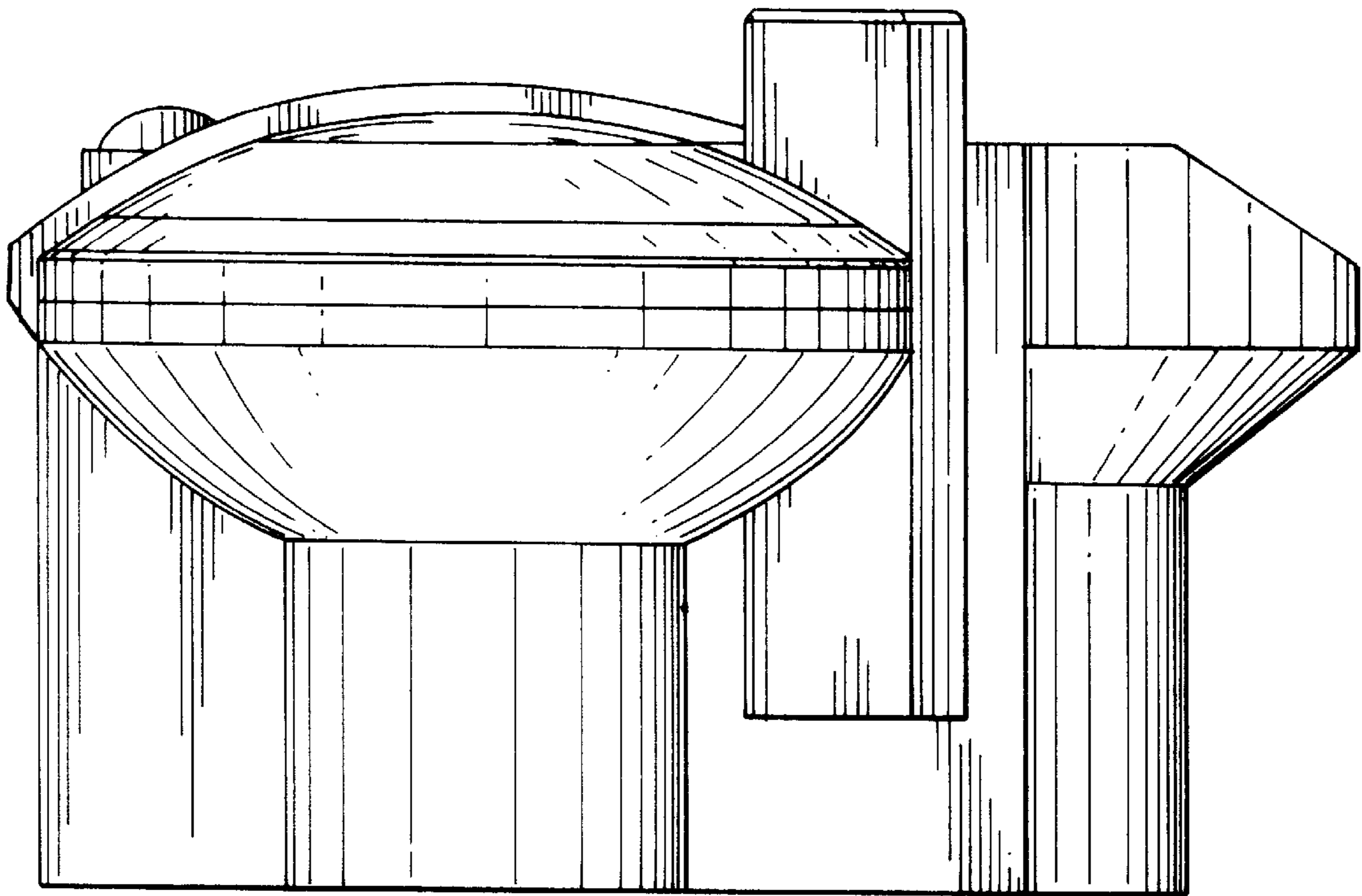


FIG. 9

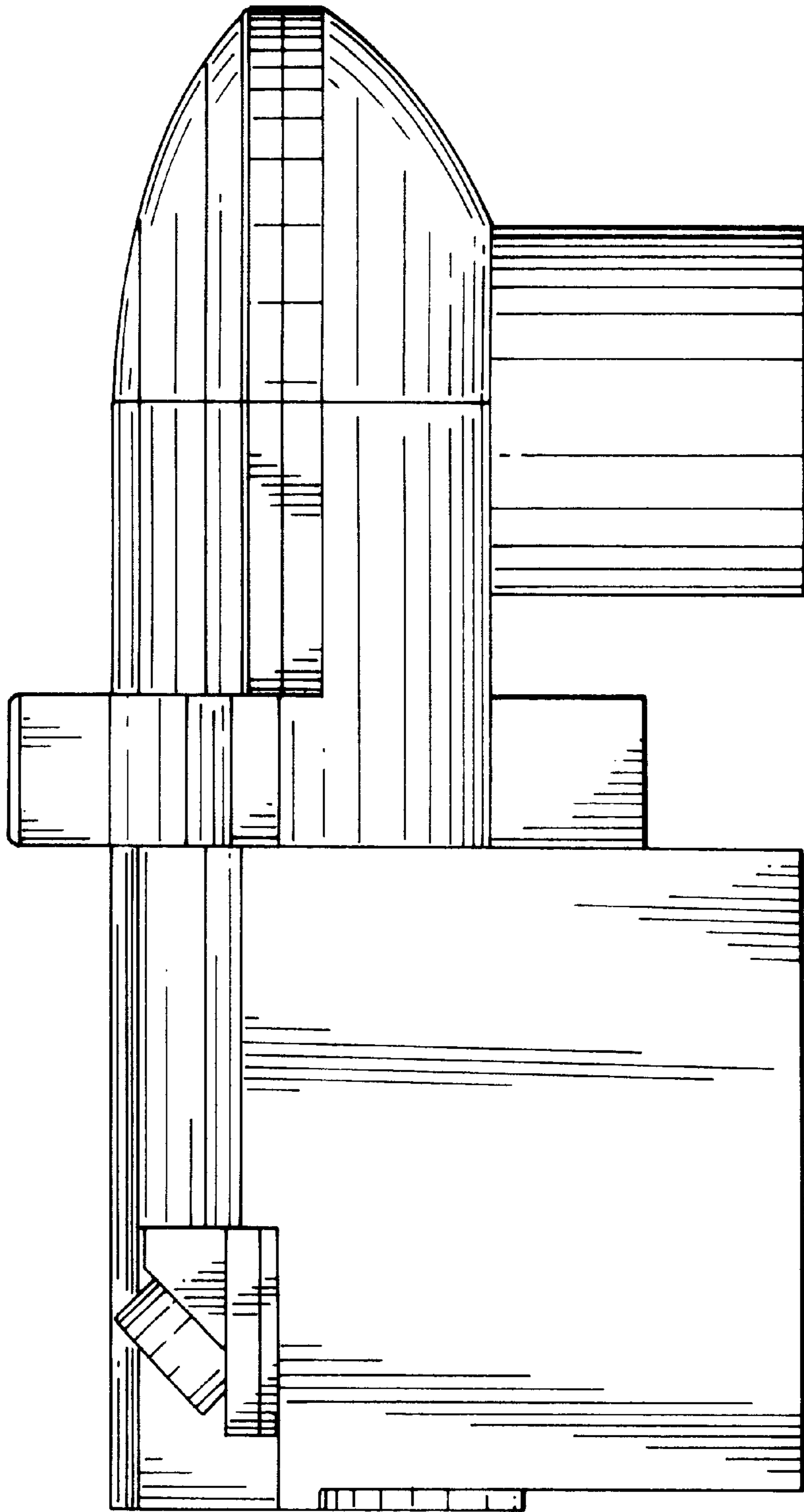


FIG. 10

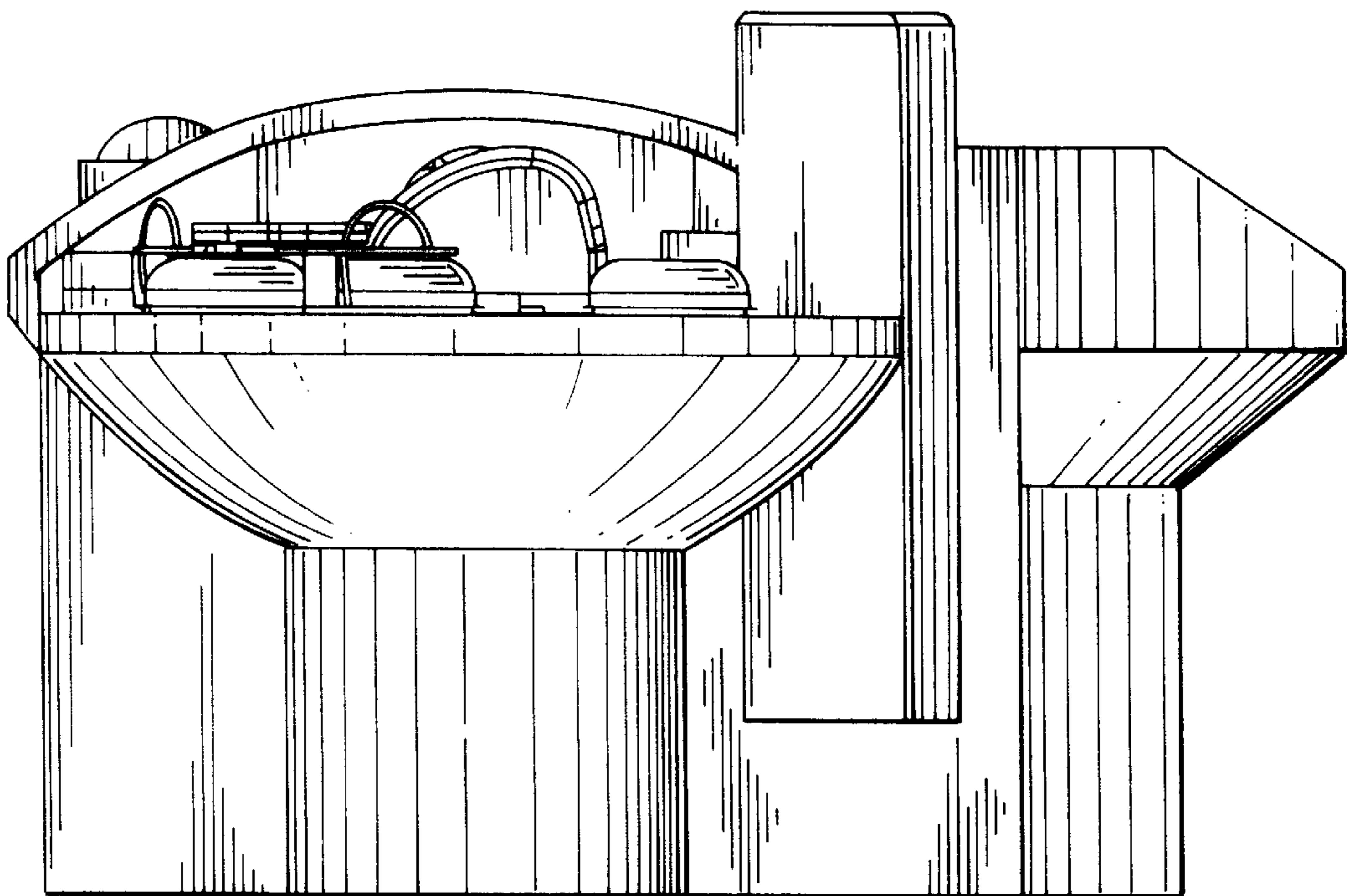


FIG. 11

