



US00D450710B1

(12) **United States Design Patent**
Yoshioka

(10) **Patent No.:** **US D450,710 S**

(45) **Date of Patent:** **** Nov. 20, 2001**

(54) **COMPUTER GENERATED IMAGE FOR DISPLAY PANEL OR SCREEN**

(75) Inventor: **Keiichi Yoshioka**, Tokyo (JP)

(73) Assignee: **Sony Corporation**, Tokyo (JP)

(**) Term: **14 Years**

(21) Appl. No.: **29/117,162**

(22) Filed: **Jan. 19, 2000**

(51) **LOC (7) Cl.** **14-02**

(52) **U.S. Cl.** **D14/486**

(58) **Field of Search** D14/485-95; D18/24-33; D19/6; D20/11; 345/326, 339-58; D21/324-33

(56) **References Cited**

U.S. PATENT DOCUMENTS

- D. 387,750 * 12/1997 Kodosky .
- D. 397,687 * 9/1998 Arora et al. .
- D. 418,826 * 1/2000 Pavely et al. .
- D. 419,152 * 1/2000 Lowenstein .
- D. 435,853 * 1/2001 Mehta et al. .

OTHER PUBLICATIONS

Symbol Sourcebook, Henry Dreyfuss, Van Nostrand Reinhold Co., insured mail symbol, p. 70, magnetic drum, p. 176, enlarged field, p. 195, 1972.*

* cited by examiner

Primary Examiner—M. H. Tung
(74) *Attorney, Agent, or Firm*—Rader, Fishman & Grauer, PLLC

(57) **CLAIM**

The ornamental design for a computer generated image for display panel or screen, as shown and described.

DESCRIPTION

FIG. 1 is a front view of a computer generated image for a display panel or screen;

FIG. 2 is a front view of a second embodiment thereof;

FIG. 3 is a front view of a third embodiment thereof;

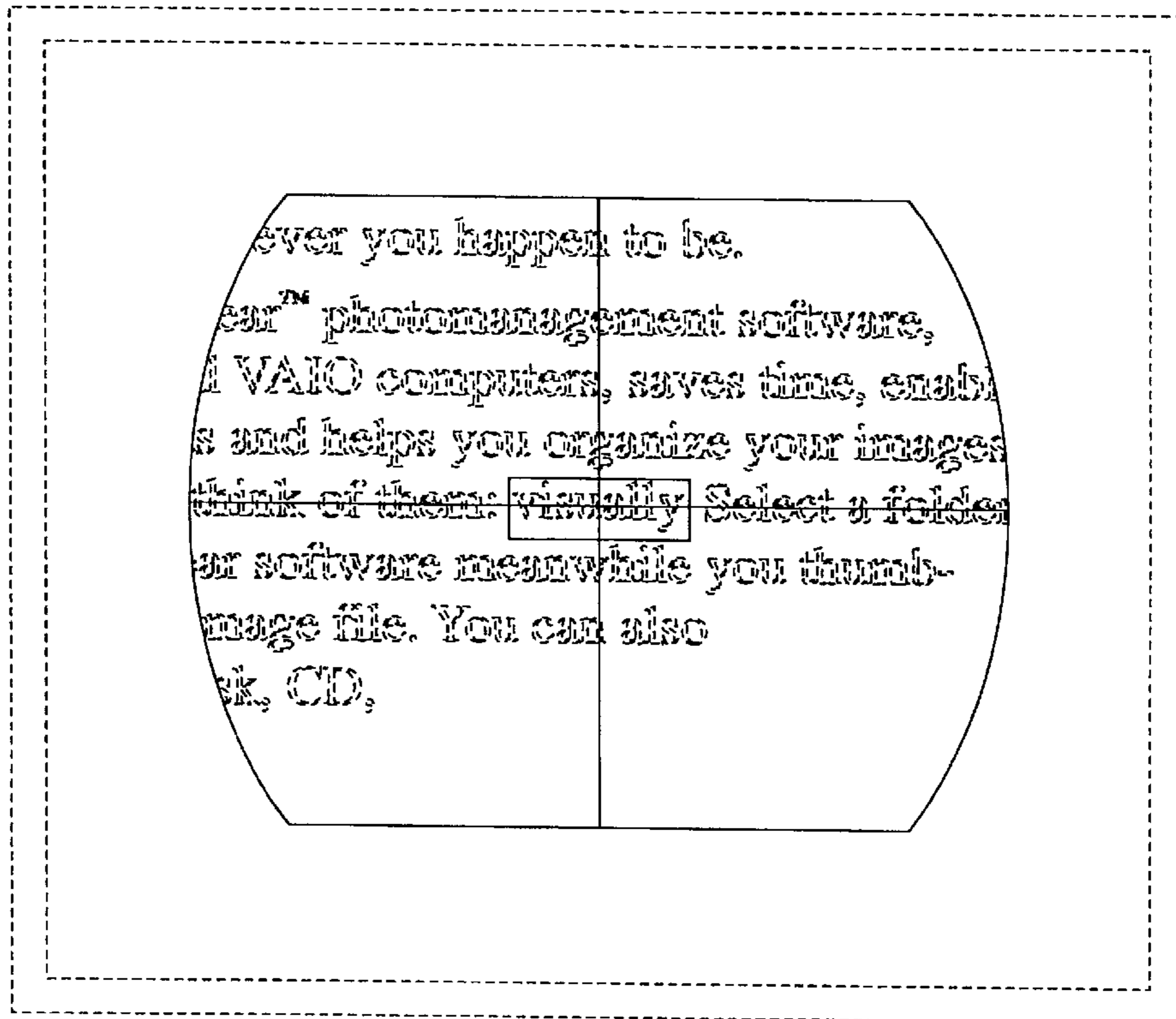
FIG. 4 is a front view of a fourth embodiment thereof;

FIG. 5 is a front view of an fifth embodiment thereof; and,

FIG. 6 is a front view of a sixth embodiment thereof.

The broken line drawing of a display panel or screen in all views and dotted line drawing of letters and lines are for illustrative purposes only and form no part of the claimed design.

1 Claim, 6 Drawing Sheets



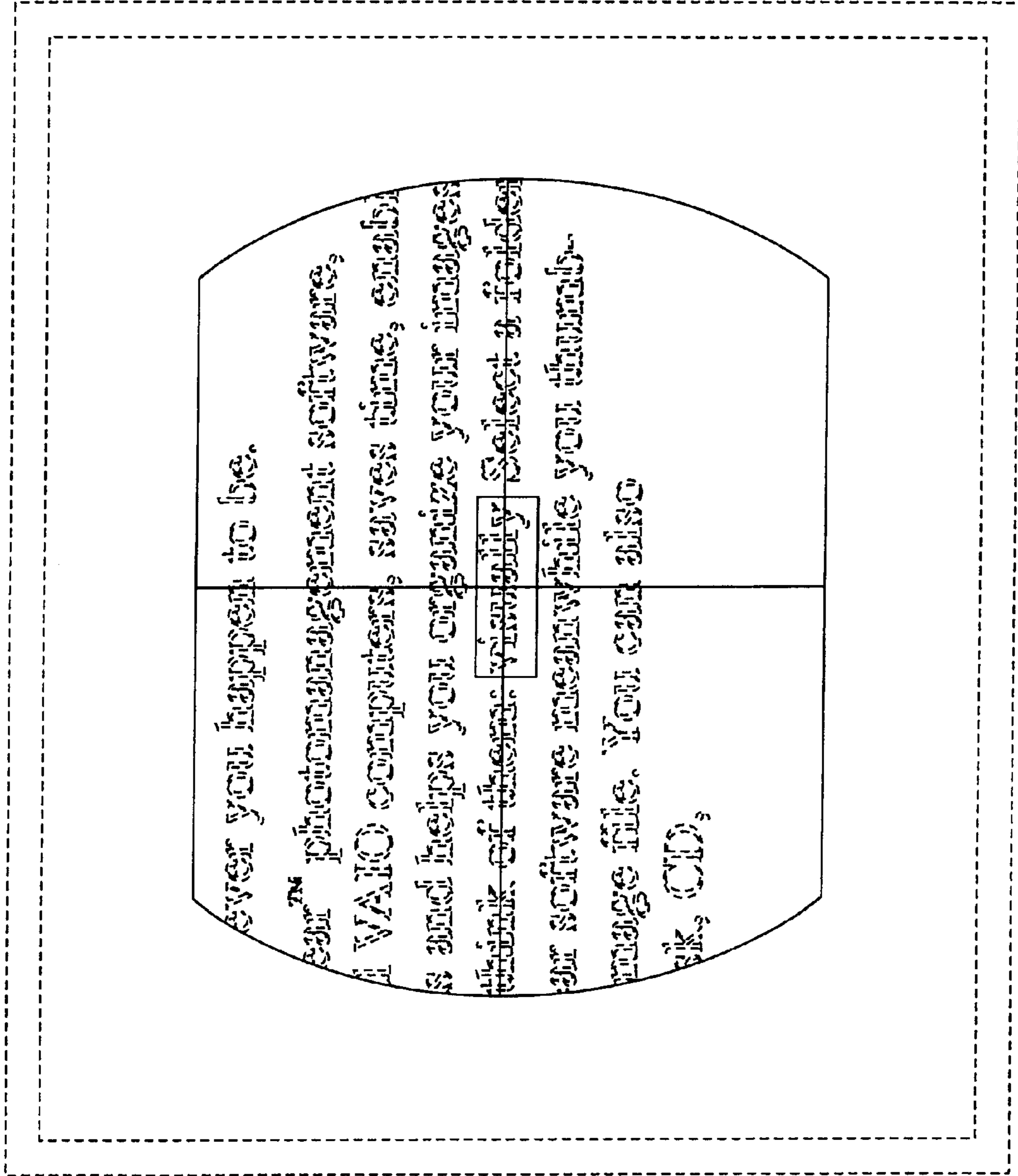


FIG. 1

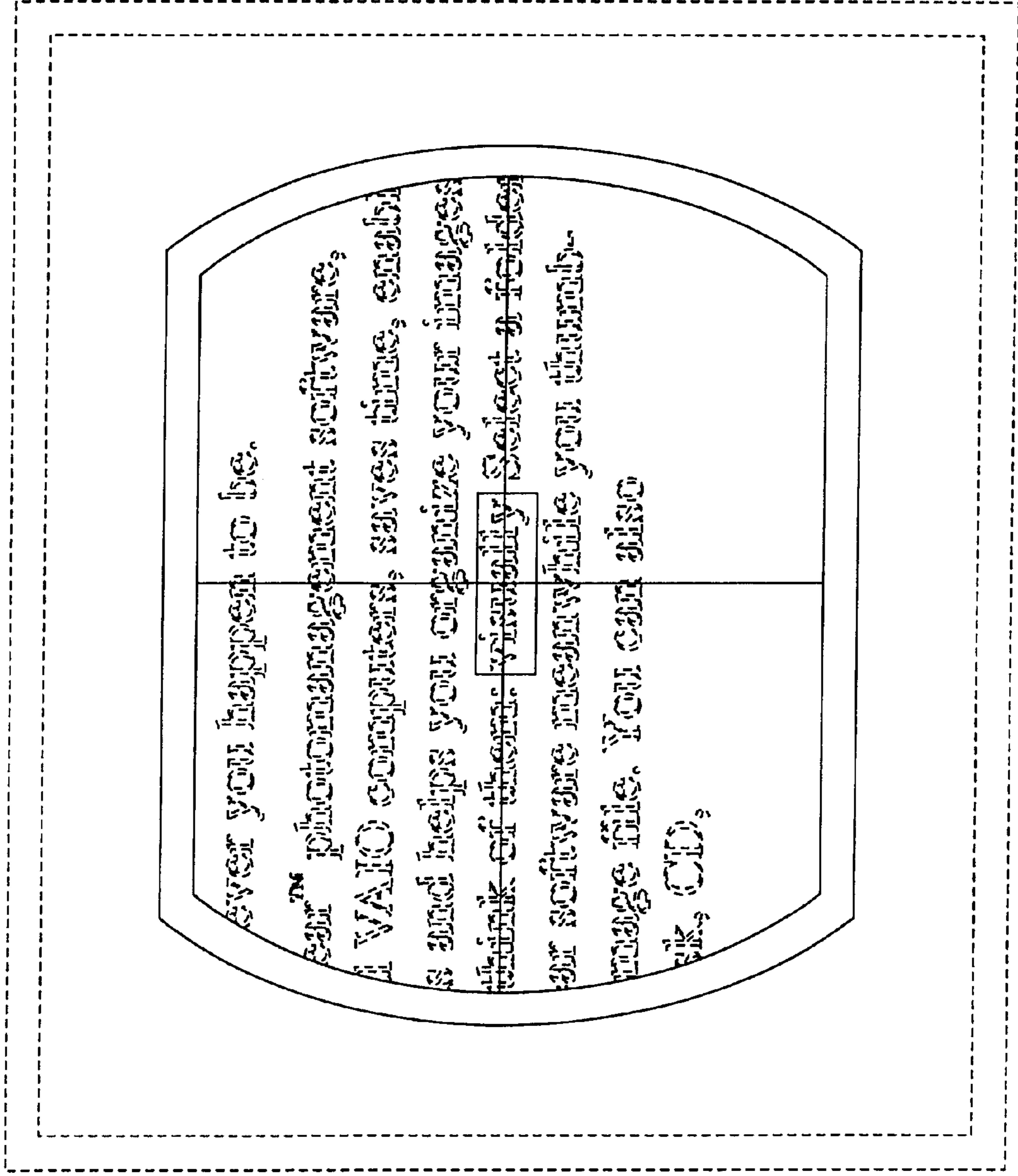


FIG. 2

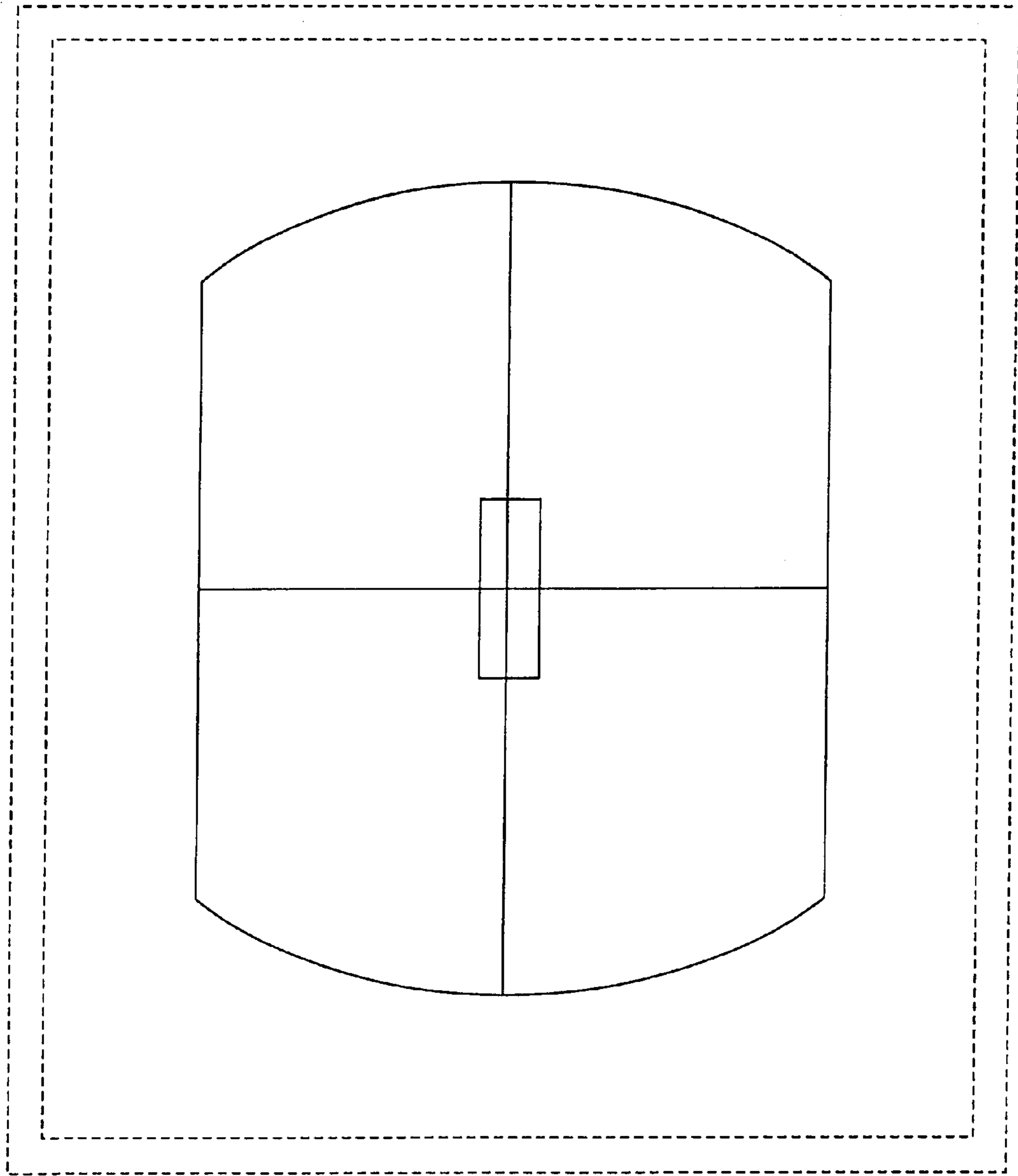


FIG. 3

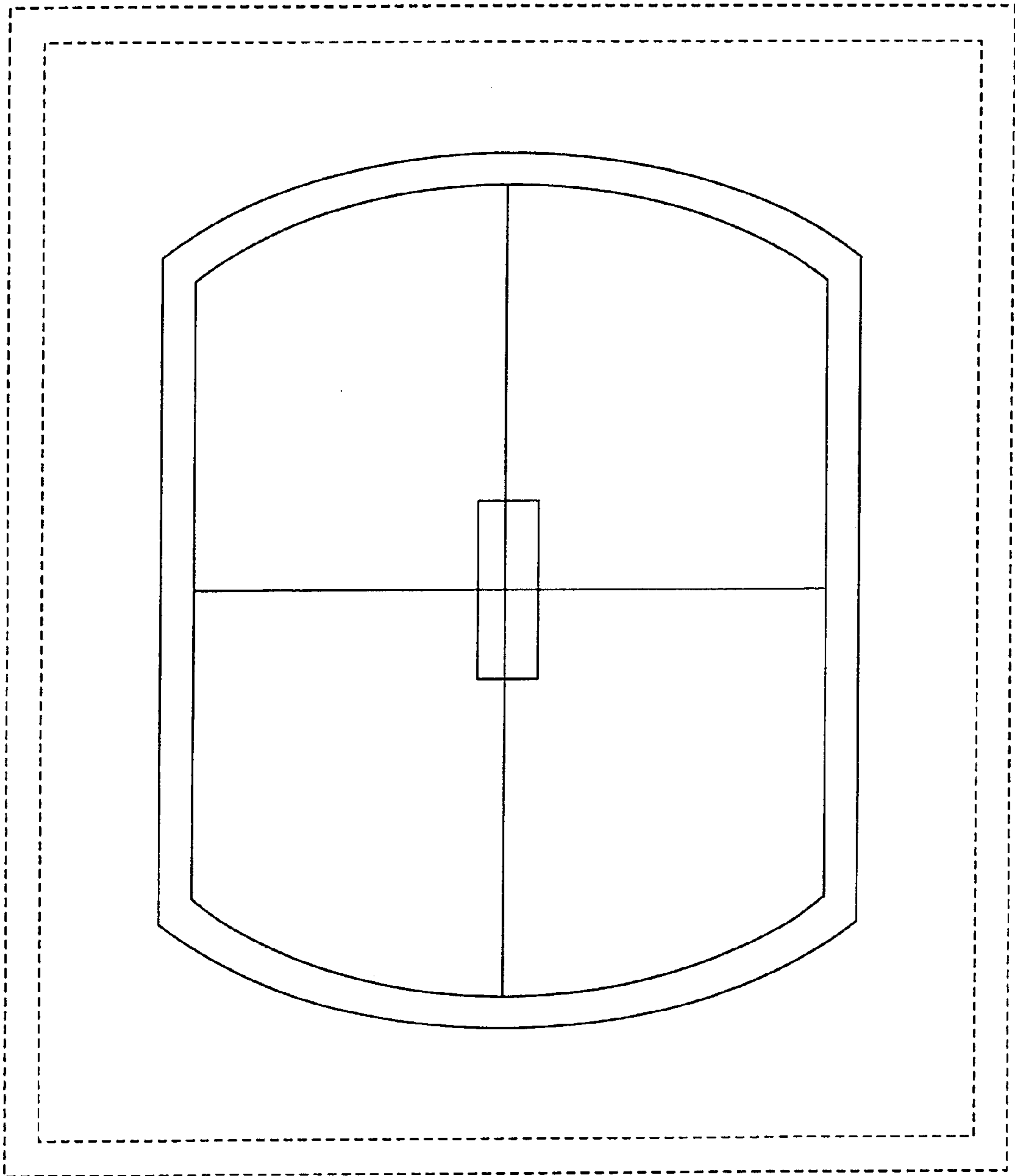


FIG. 4

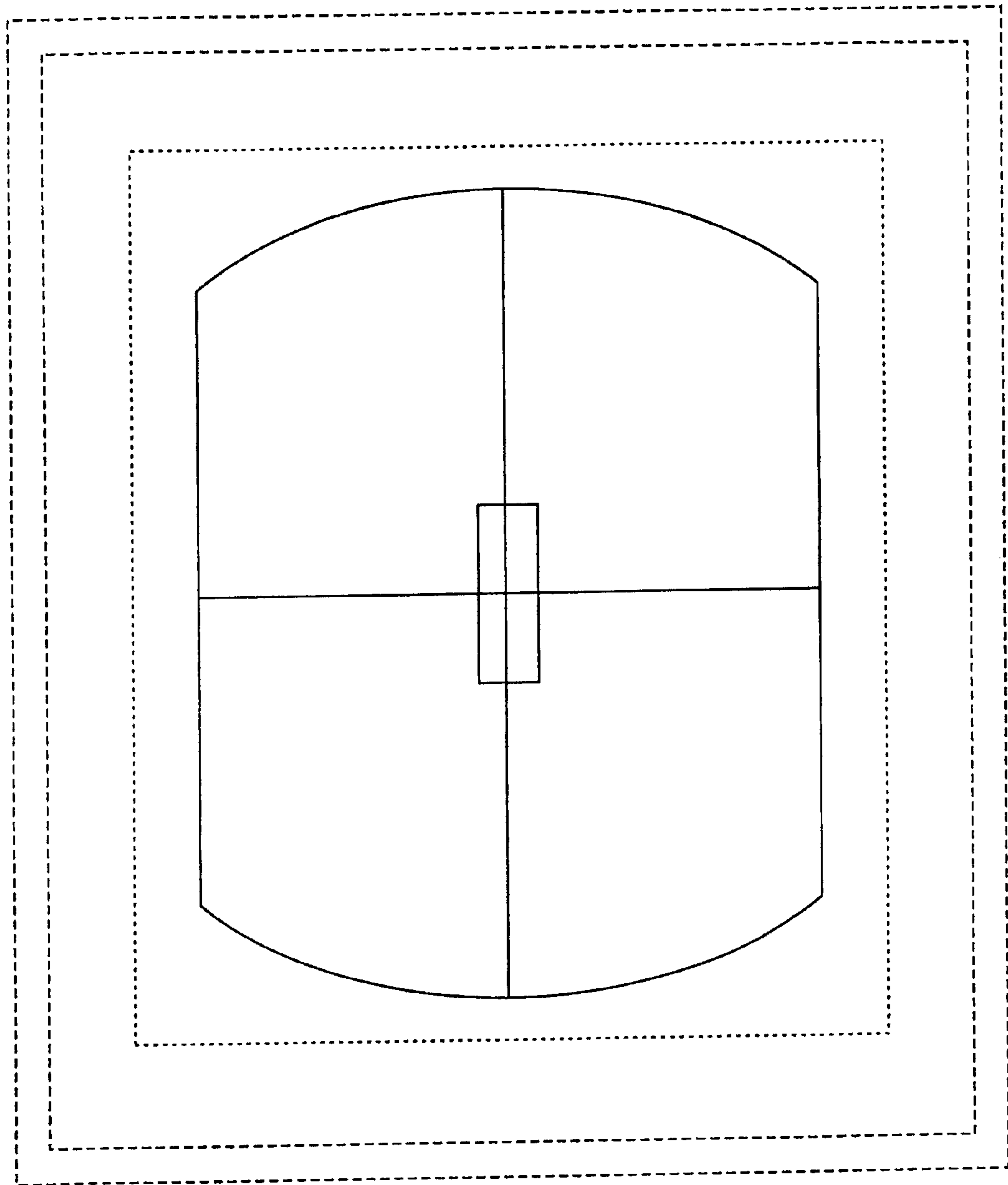


FIG. 5

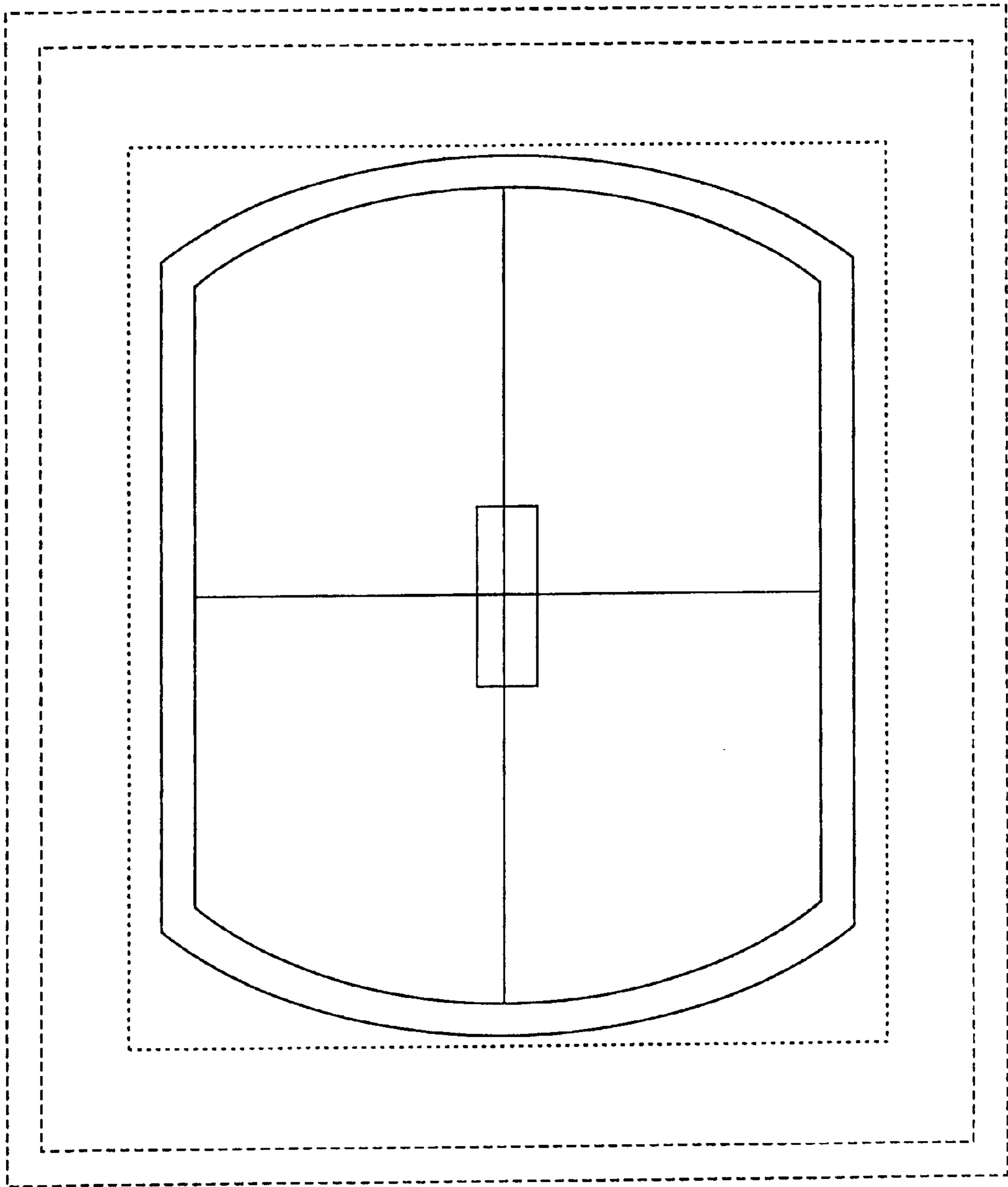


FIG. 6