



US00D450706B1

(12) **United States Design Patent**
Khovaylo et al.

(10) **Patent No.:** **US D450,706 S**

(45) **Date of Patent:** **** Nov. 20, 2001**

(54) **FRONT END PORTION OF A SCANNER**

(75) Inventors: **Modest Khovaylo**, Fort Collins, CO (US); **Scott Henderson**; **Allen Zadeh**, both of Brooklyn, NY (US); **Kevin Lozeau**, Ridge, NY (US); **Davin Stowell**, New York, NY (US)

(73) Assignee: **Hewlett-Packard Company**, Palo Alto, CA (US)

(**) Term: **14 Years**

(21) Appl. No.: **29/140,860**

(22) Filed: **Apr. 24, 2001**

Related U.S. Application Data

(62) Division of application No. 29/122,288, filed on Apr. 24, 2000.

(51) **LOC (7) Cl.** **14-02**

(52) **U.S. Cl.** **D14/425**

(58) **Field of Search** D14/420-422, D14/424, 425; D18/36, 37, 39; 250/556; 235/441, 454, 470, 476, 482, 483; 355/64, 65, 75, 81

(56) **References Cited**

U.S. PATENT DOCUMENTS

D. 388,773 * 1/1998 Chang et al. D14/425
D. 405,066 * 2/1999 Wu et al. D14/425

* cited by examiner

Primary Examiner—Freda Nunn

(57) **CLAIM**

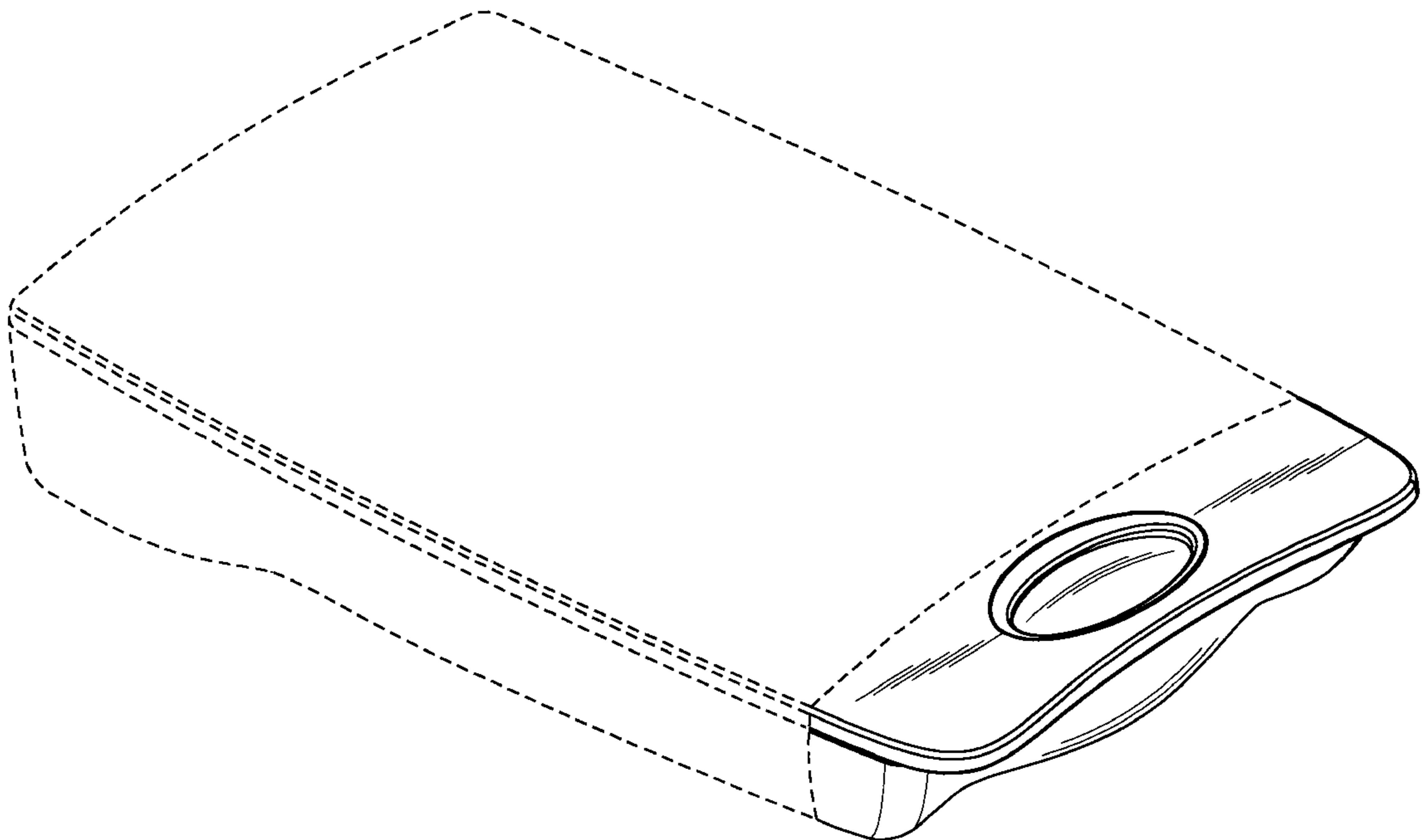
The ornamental design for a front end portion of a scanner, as shown and described.

DESCRIPTION

FIG. 1 is an isometric view of a front end portion of a scanner showing our new design; FIG. 2 is a top plan view thereof; FIG. 3 is a bottom plan view thereof; FIG. 4 is a front elevation view thereof; FIG. 5 is a rear elevation view thereof; FIG. 6 is a left side elevation view thereof; FIG. 7 is a right side elevation view thereof; and, FIG. 8 is a cross sectional elevation view thereof shown along line 8—8 in FIG. 2.

The broken lines are shown in the views for illustrative purposes only and form no part of the claimed design.

1 Claim, 6 Drawing Sheets



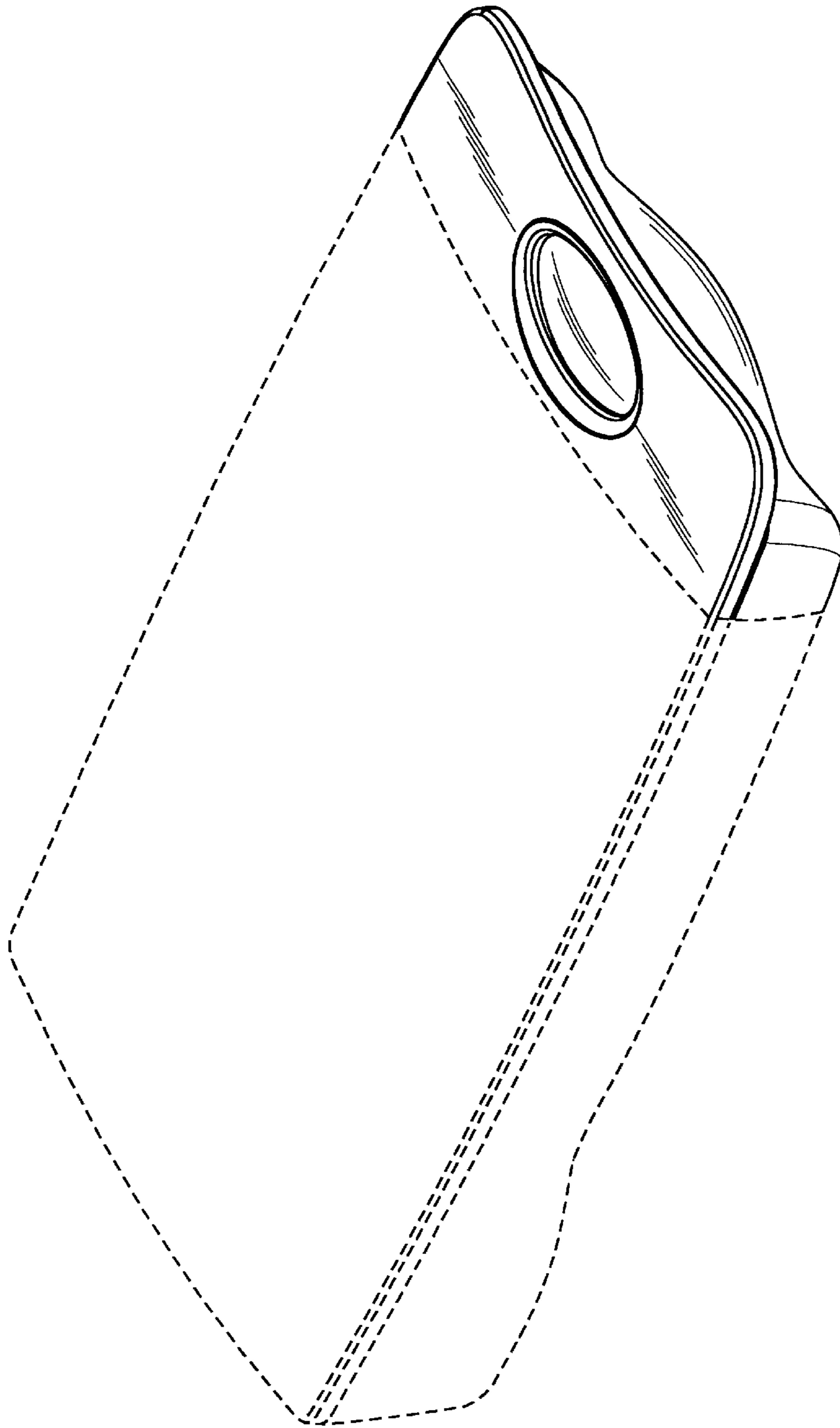


FIG. 1



FIG. 2

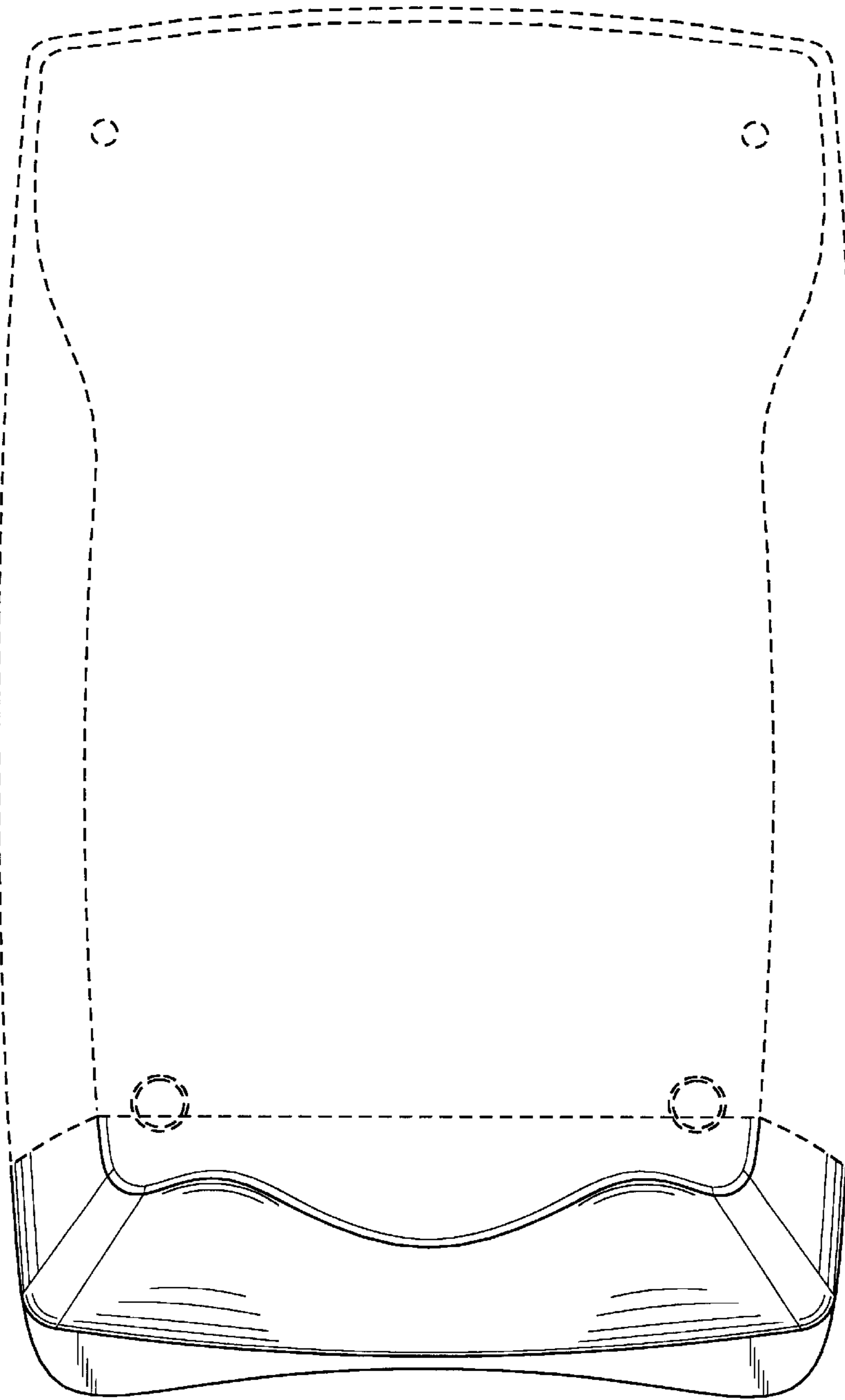


FIG. 3

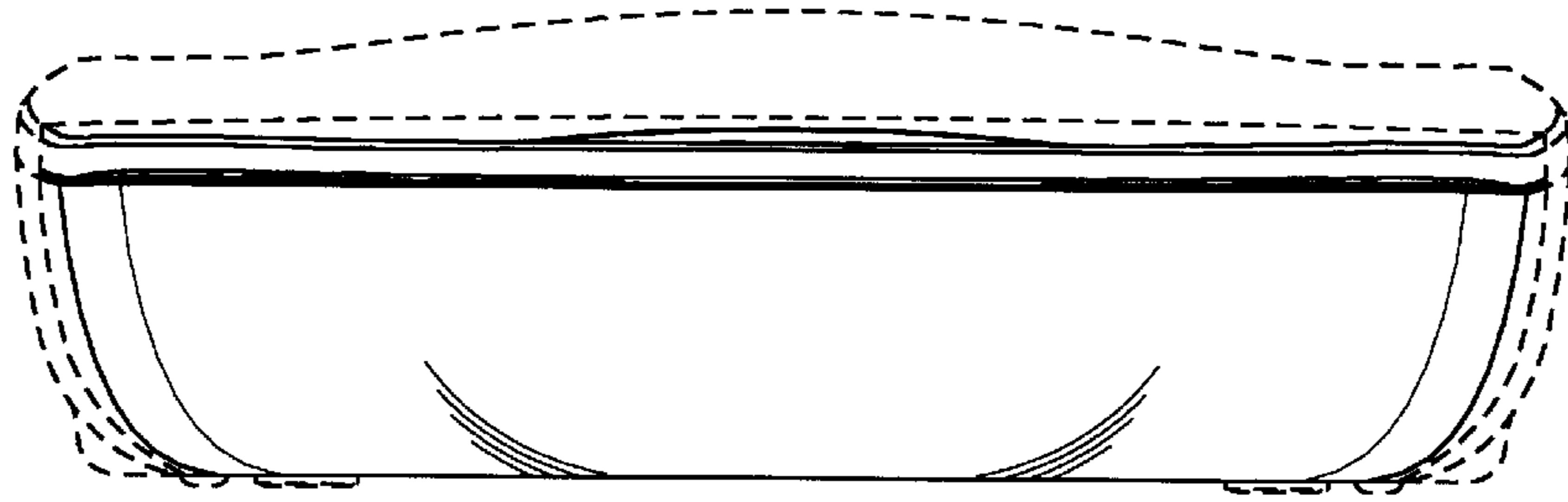


FIG. 4

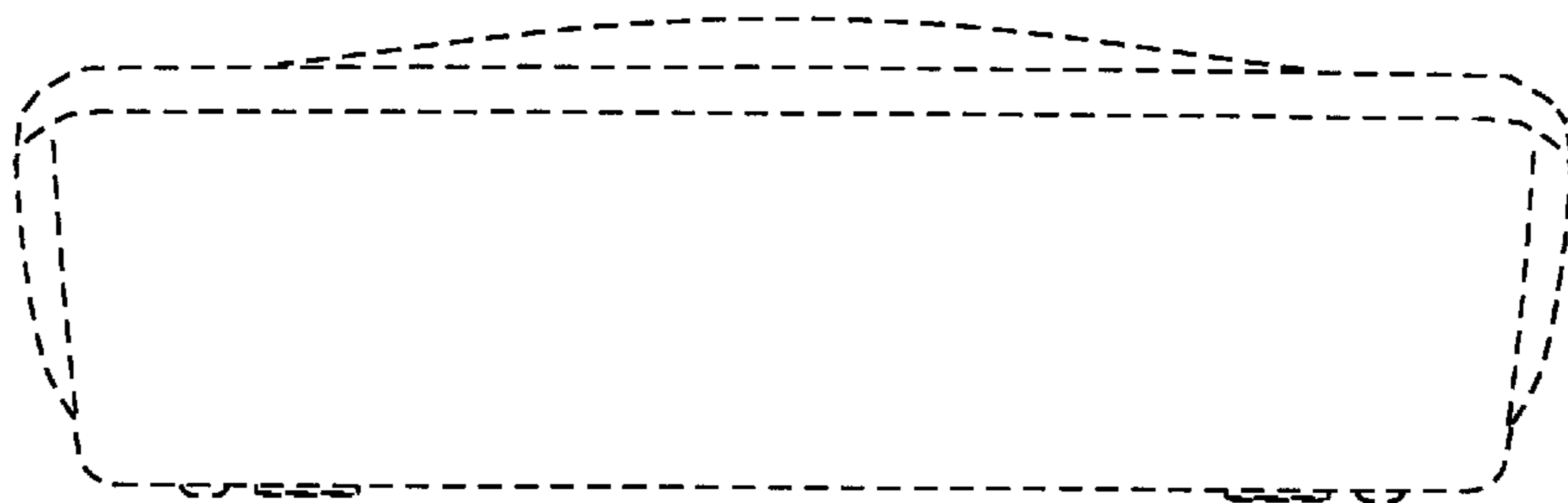


FIG. 5

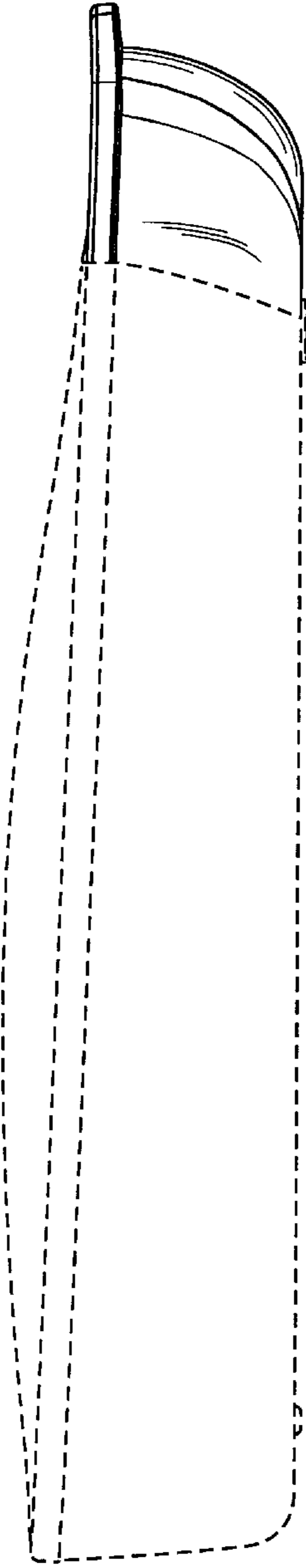


FIG. 6

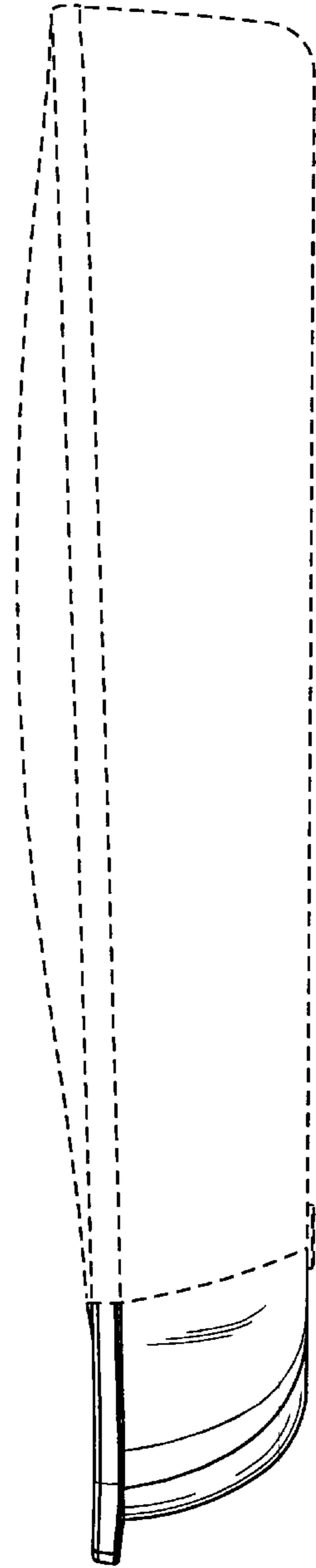


FIG. 7

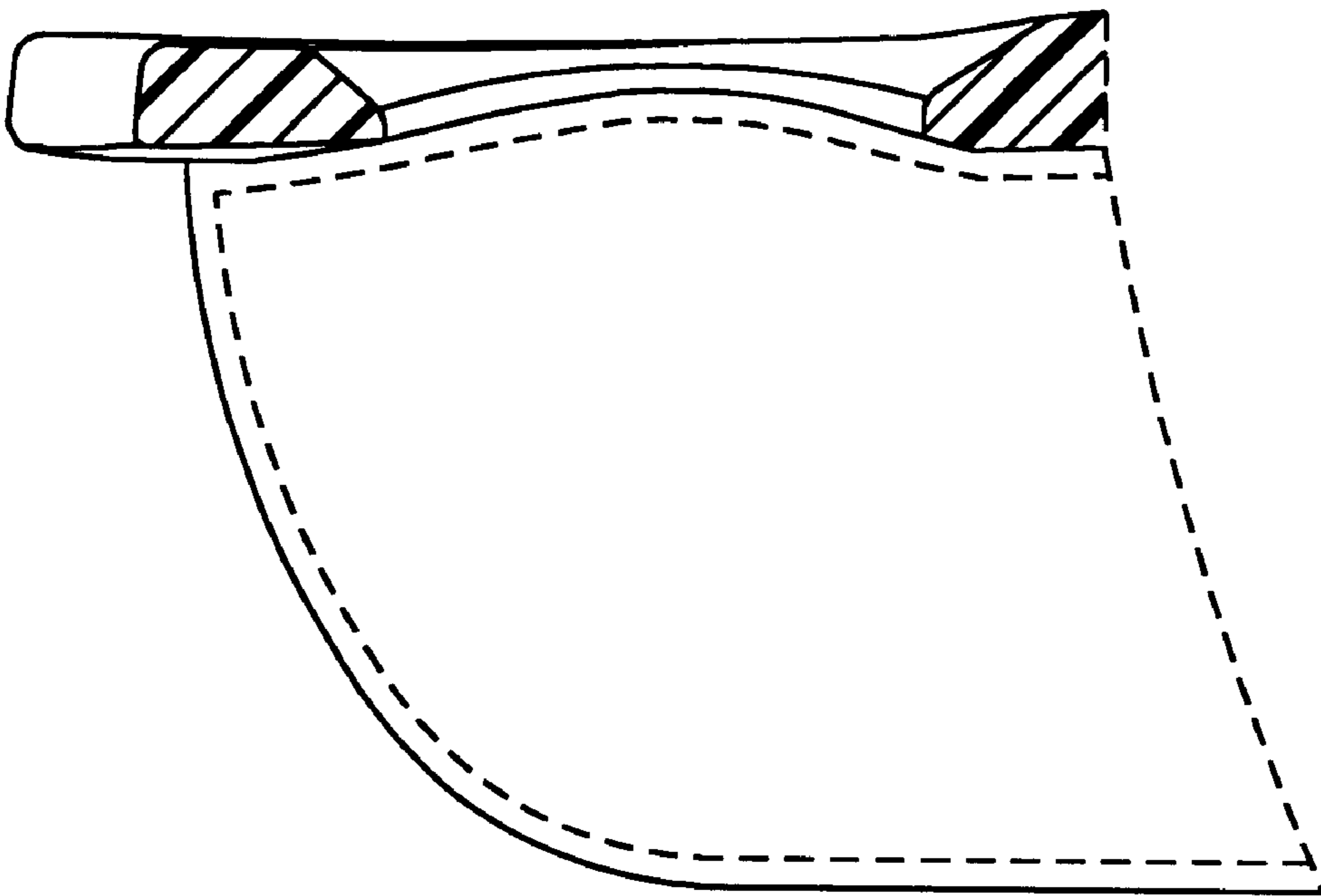


FIG. 8