



US00D450705B1

(12) **United States Design Patent**
Inukai

(10) **Patent No.:** **US D450,705 S**

(45) **Date of Patent:** **** Nov. 20, 2001**

(54) **IMAGE SCANNER APPARATUS**

(75) Inventor: **Yoshinori Inukai, Kawasaki (JP)**

(73) Assignee: **Canon Kabushiki Kaisha, Tokyo (JP)**

(**) Term: **14 Years**

(21) Appl. No.: **29/133,470**

(22) Filed: **Dec. 1, 2000**

(30) **Foreign Application Priority Data**

Jun. 6, 2000 (JP) 12-015117

(51) **LOC (7) Cl.** **14-02**

(52) **U.S. Cl.** **D14/425**

(58) **Field of Search** D14/421, 422,
D14/424, 425; D18/36, 37, 39; 235/454,
470, 476, 482; 250/556; 355/64, 65, 75,
81

(56) **References Cited**

U.S. PATENT DOCUMENTS

- D. 344,077 2/1994 Inukai et al. D14/462
- D. 344,078 2/1994 Inukai et al. D14/462
- D. 344,079 2/1994 Inukai et al. D14/462
- D. 388,773 * 1/1998 Chang et al. D14/425

- D. 389,468 * 1/1998 Chang et al. D14/425
- D. 391,930 * 3/1998 Cheng-Yung D14/425
- D. 414,753 10/1999 Inukai D14/424
- D. 415,477 10/1999 Inukai D14/453
- D. 415,743 10/1999 Inukai D14/425
- D. 419,140 * 1/2000 Khovaylo et al. D14/425
- D. 434,039 11/2000 Inukai D14/425

* cited by examiner

Primary Examiner—Freda Nunn

(74) *Attorney, Agent, or Firm*—Fitzpatrick, Cella, Harper & Scinto

(57) **CLAIM**

The ornamental design for an image scanner apparatus, as shown and described.

DESCRIPTION

FIG. 1 is a front view of an image scanner apparatus, showing my new design;
 FIG. 2 is a rear view thereof;
 FIG. 3 is a top plan view thereof;
 FIG. 4 is a bottom plan view thereof;
 FIG. 5 is a left side view thereof;
 FIG. 6 is a right side view thereof; and,
 FIG. 7 is a perspective view thereof.

1 Claim, 5 Drawing Sheets

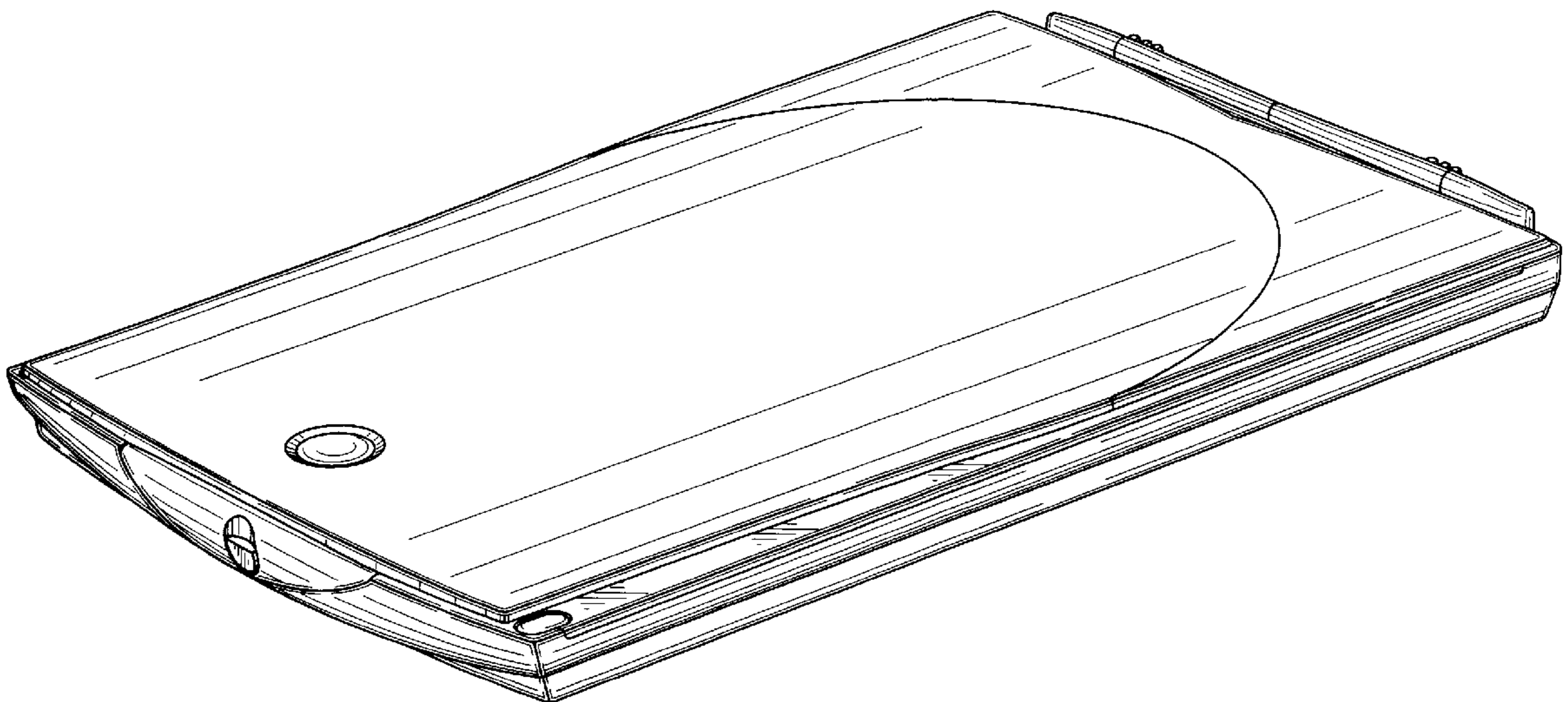


FIG. 1

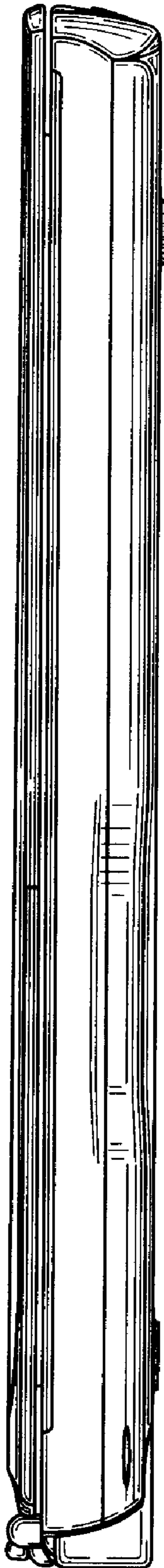


FIG. 2



FIG. 3

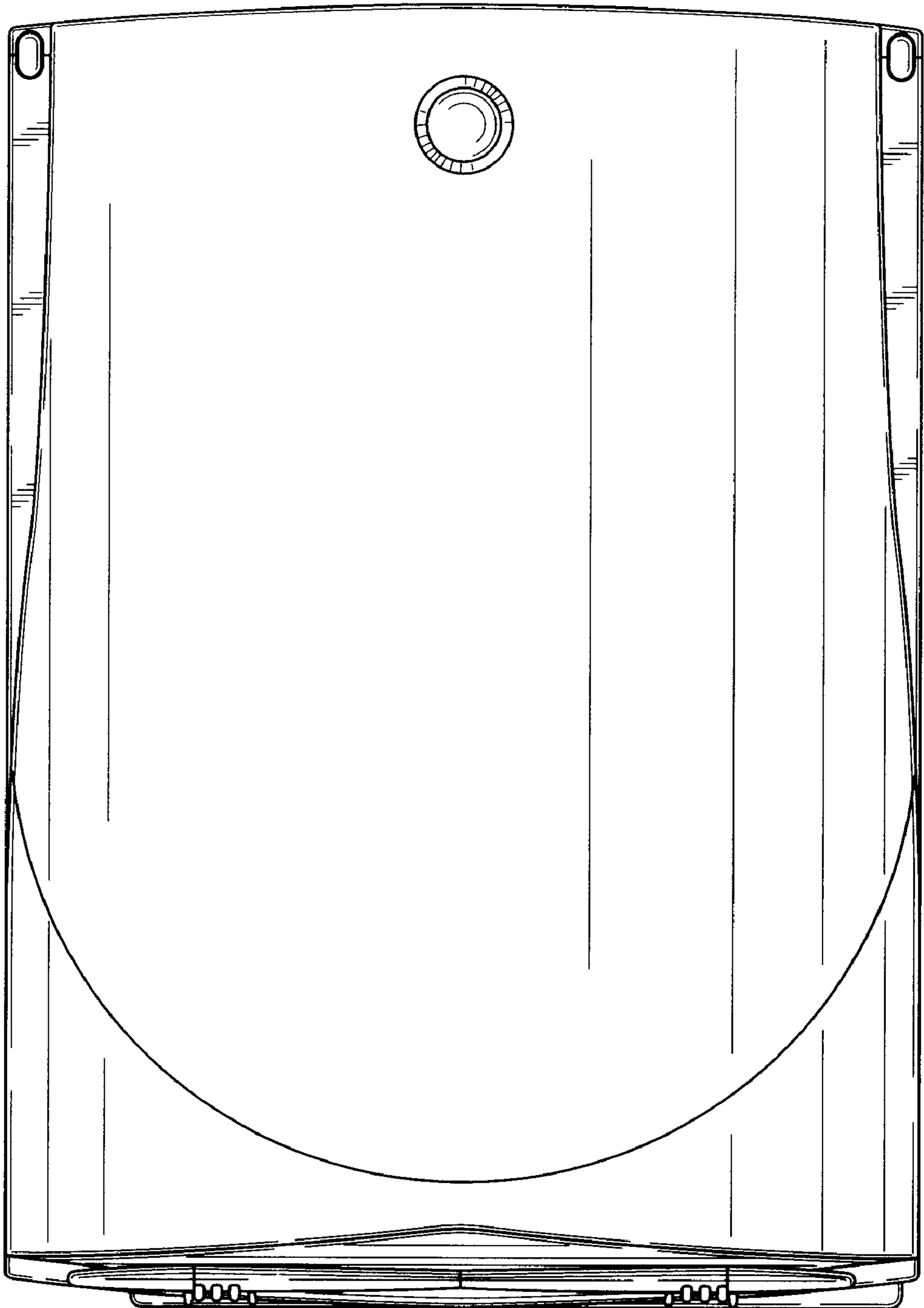


FIG. 4

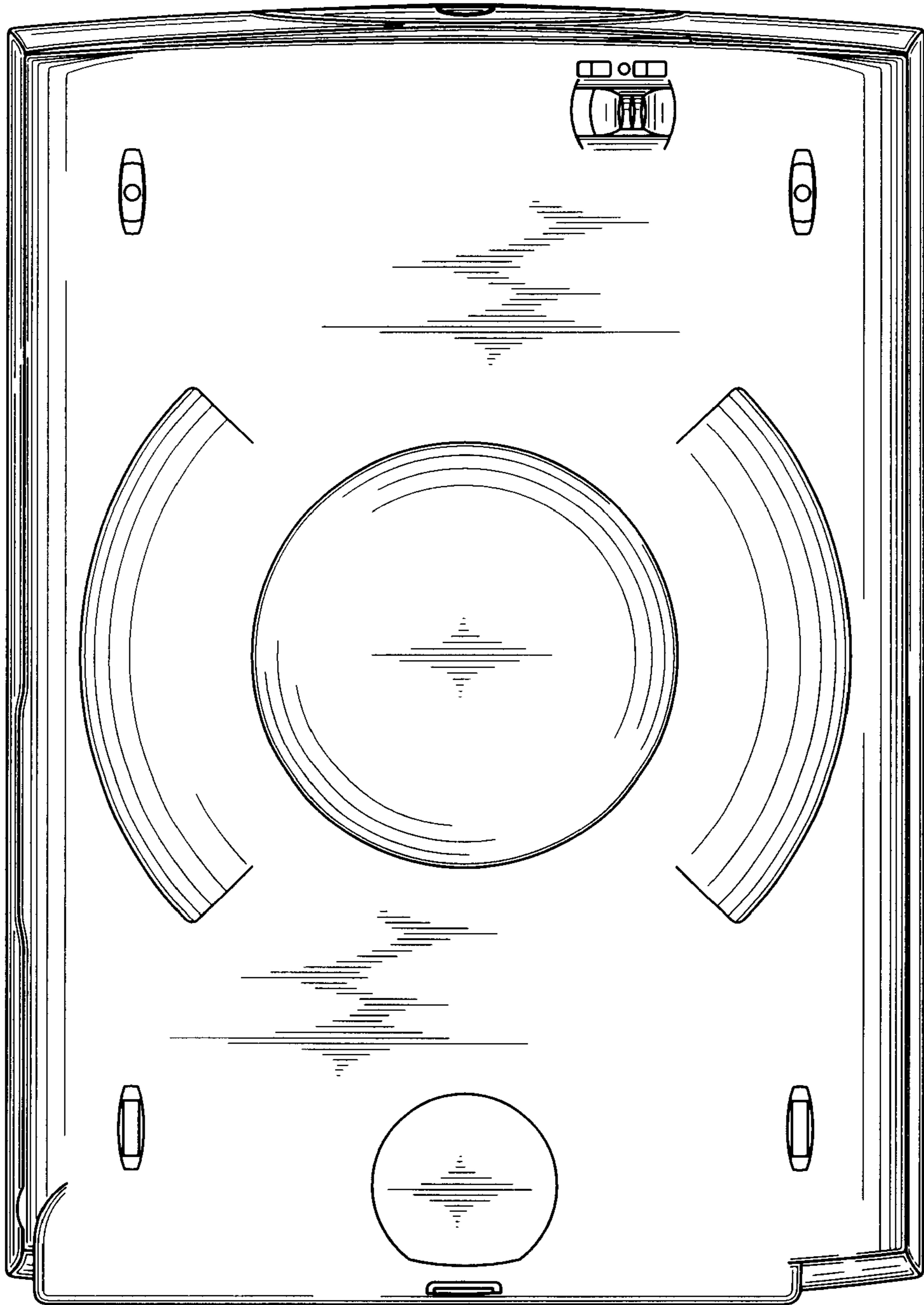


FIG. 5

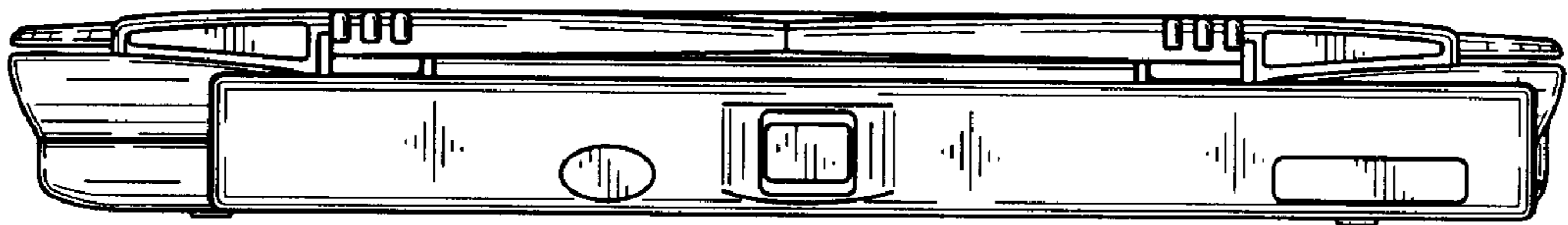


FIG. 6

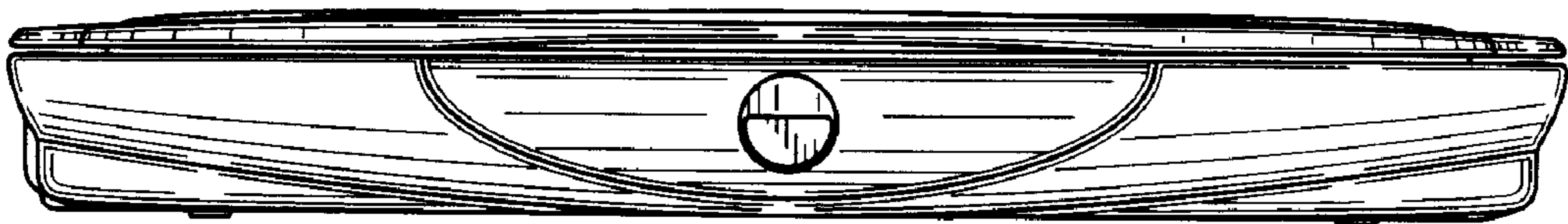


FIG. 7

