



US00D450703B1

(12) **United States Design Patent**
Brulotte et al.

(10) **Patent No.:** **US D450,703 S**

(45) **Date of Patent:** **** Nov. 20, 2001**

(54) **GAME CONTROLLER**

(75) Inventors: **Marc Brulotte; Jason Gosior; Kip Hampton; John Sobota; Hee-Jong Yu,**
all of Alberta (CA)

(73) Assignee: **Eleven Engineering Incorporated,**
Alberta (CA)

(**) Term: **14 Years**

(21) Appl. No.: **29/135,722**

(22) Filed: **Jan. 17, 2001**

Related U.S. Application Data

(62) Division of application No. 29/122,902, filed on May 5, 2000, now Pat. No. Des. 442,960.

(30) **Foreign Application Priority Data**

May 4, 2000 (CA) 2000-1126

(51) **LOC (7) Cl.** **21-01**

(52) **U.S. Cl.** **D14/415**

(58) **Field of Search** D14/400, 401,
D14/412-416; D21/324, 333; 273/148 B;
463/1, 30, 36, 37, 38, 46, 47; 345/156-161,
905

(56) **References Cited**

U.S. PATENT DOCUMENTS

Re. 36,574 2/2000 Hochstein et al. .
D. 410,914 6/1999 Tyler et al. .
D. 415,752 10/1999 Tyler et al. .

D. 417,663 * 12/1999 Peng D14/401
D. 420,660 * 2/2000 Chen D14/401
D. 425,047 * 5/2000 Tyler et al. D14/401
4,531,740 7/1985 Green et al. .
4,569,026 2/1986 Best .
4,870,389 9/1989 Ishiwata et al. .
5,207,426 5/1993 Inoue et al. .
5,759,100 * 6/1998 Nakanishi 463/37
5,853,326 * 12/1998 Goto et al. 273/148 B
5,903,257 5/1999 Nishiumi et al. .
5,971,855 10/1999 Ng .

FOREIGN PATENT DOCUMENTS

30 09 040 A1 9/1981 (DE) .
2 287 115 9/1995 (GB) .

* cited by examiner

Primary Examiner—Prabhakar Deshmukh

(74) *Attorney, Agent, or Firm*—Rodman & Rodman

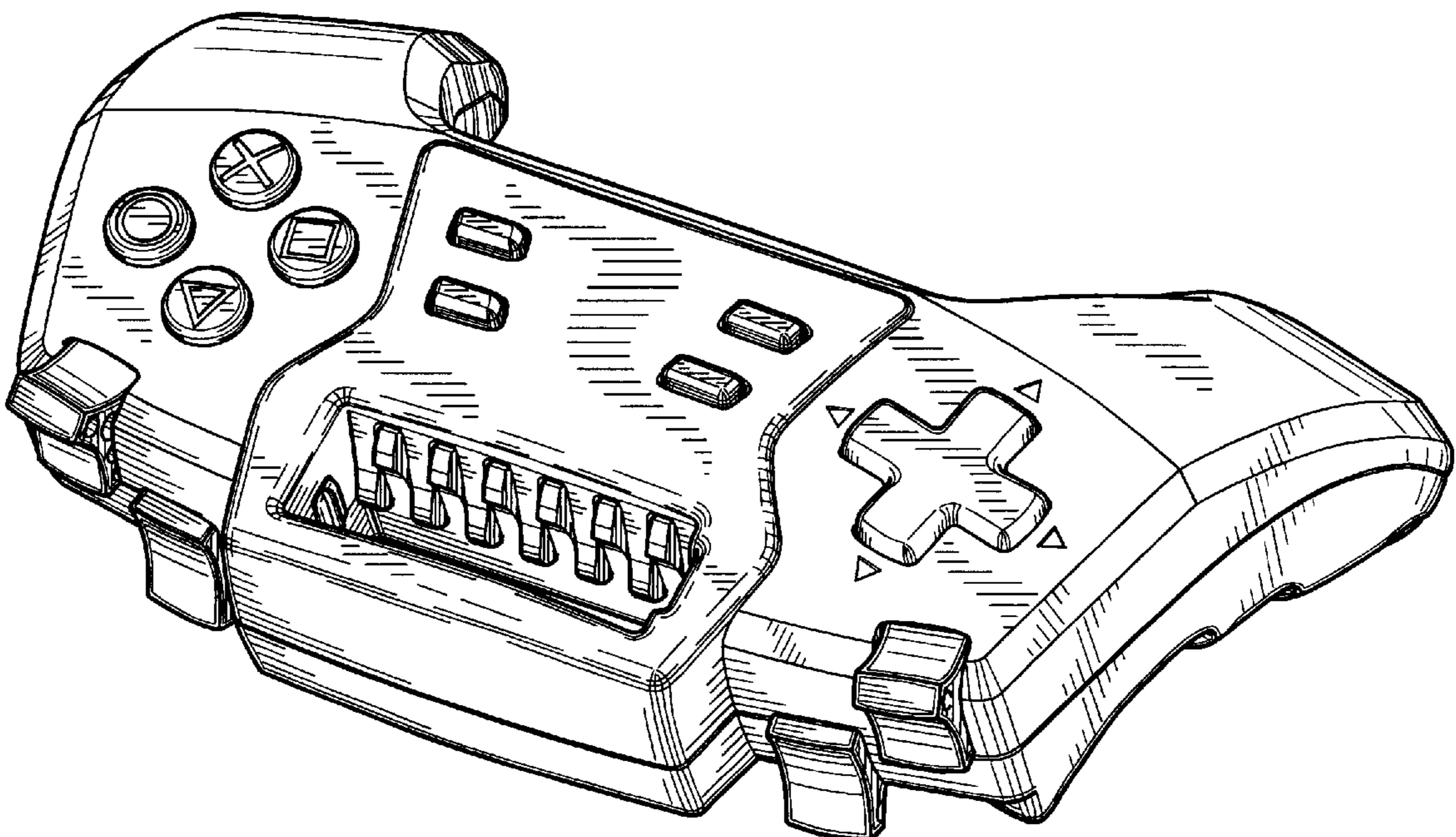
(57) **CLAIM**

The ornamental design for a game controller, as shown and described.

DESCRIPTION

FIG. 1 is a top view of the game controller.
FIG. 2 is a top perspective view of the game controller.
FIG. 3 is a front view of the game controller.
FIG. 4 is a left side view of the game controller.
FIG. 5 is a bottom perspective view of the game controller.
FIG. 6 is a bottom view of the game controller.
FIG. 7 is a right side view of the game controller; and,
FIG. 8 is a back view of the game controller.

1 Claim, 4 Drawing Sheets



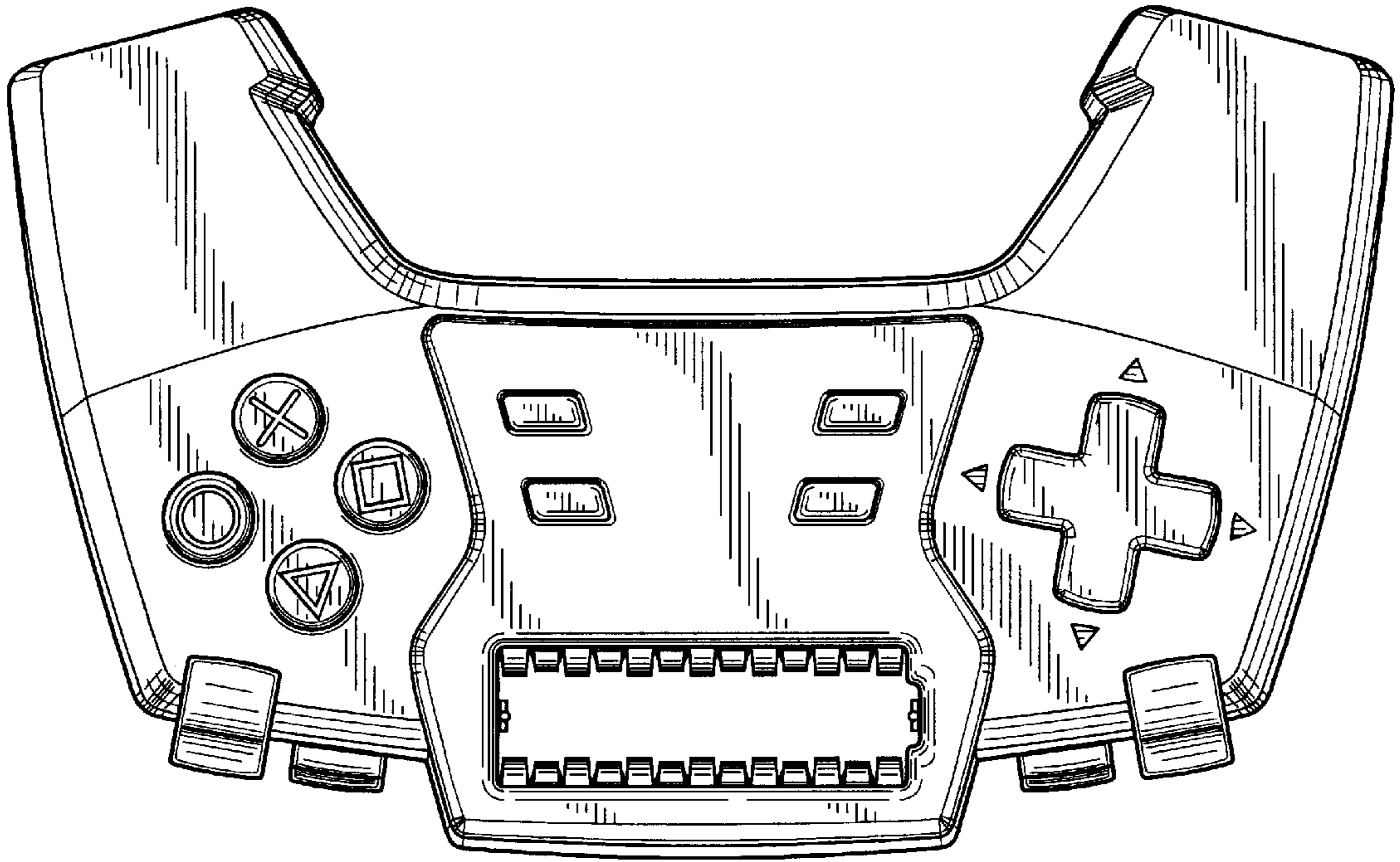


FIG. 1

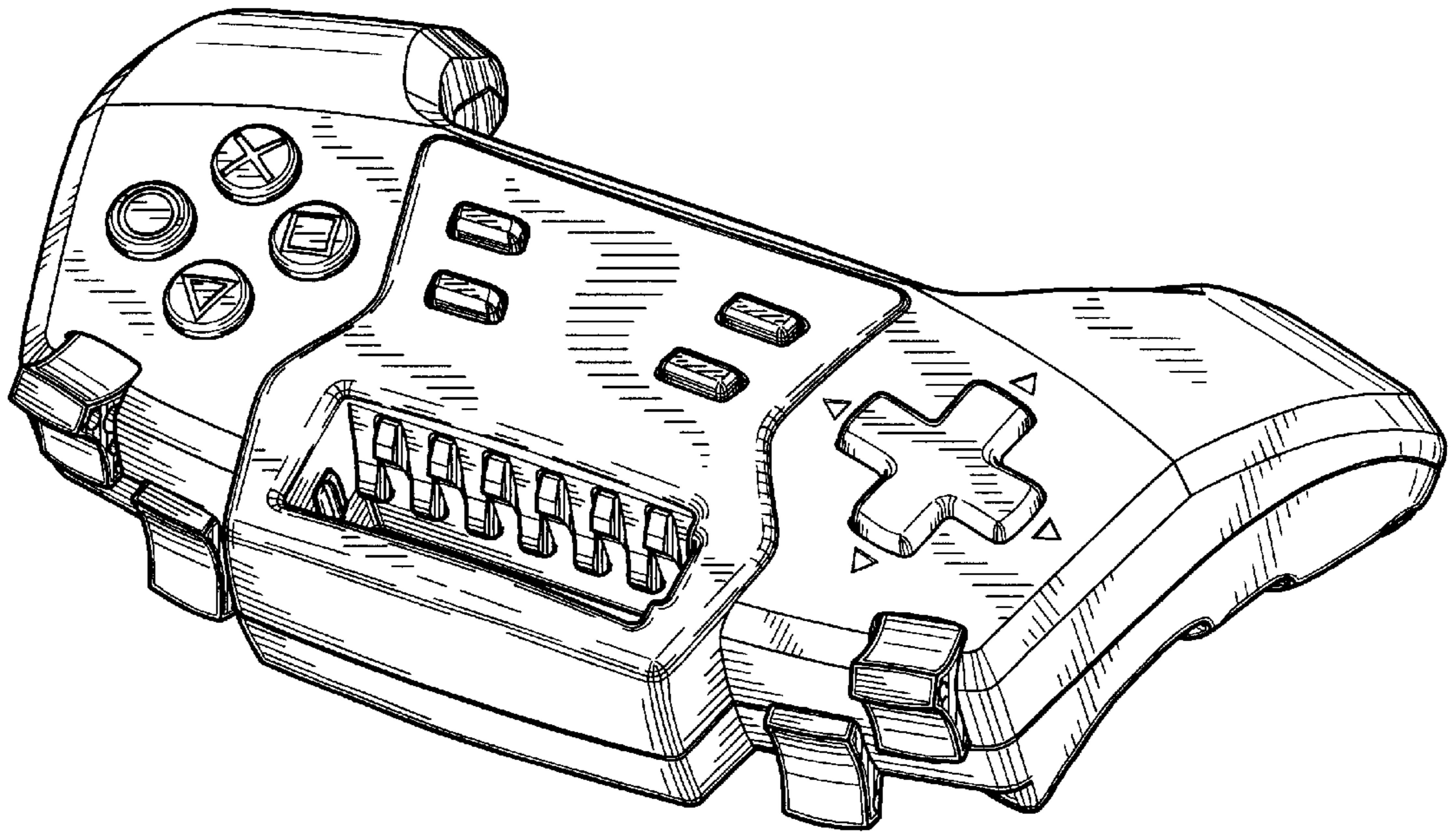


FIG. 2

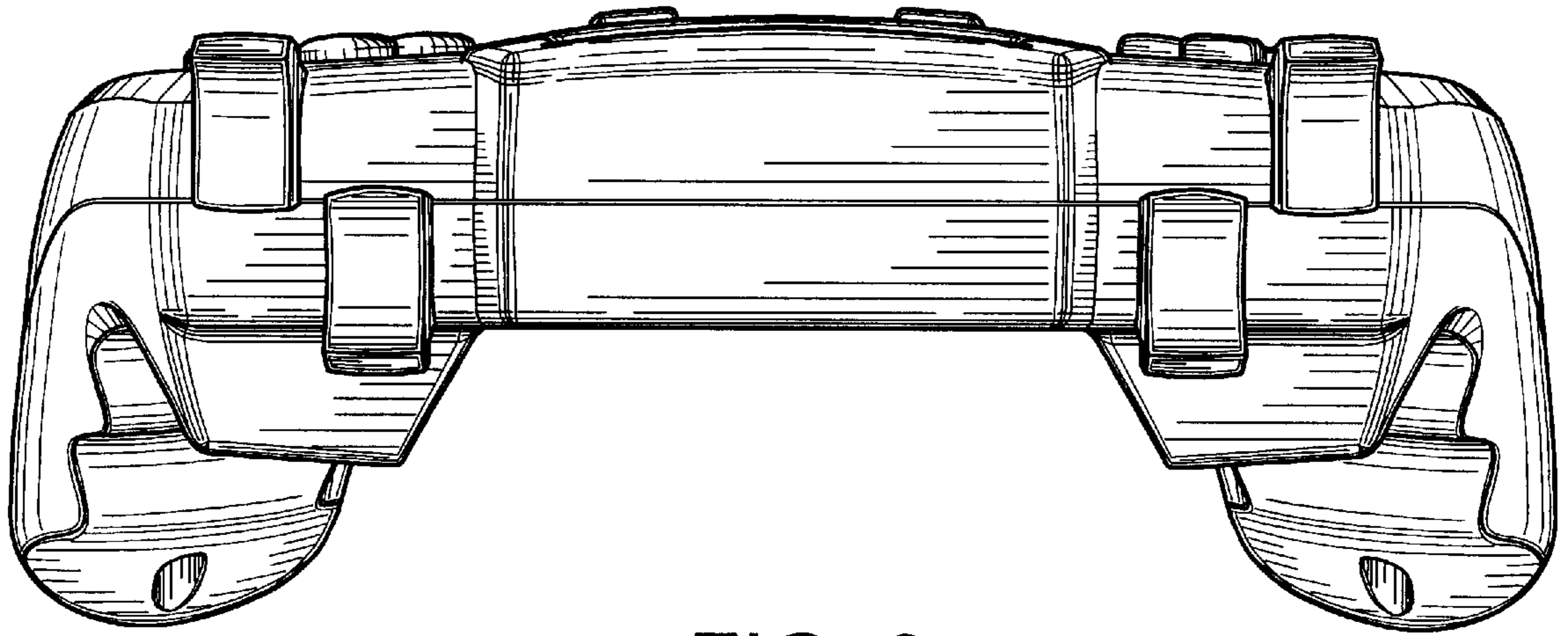


FIG. 3

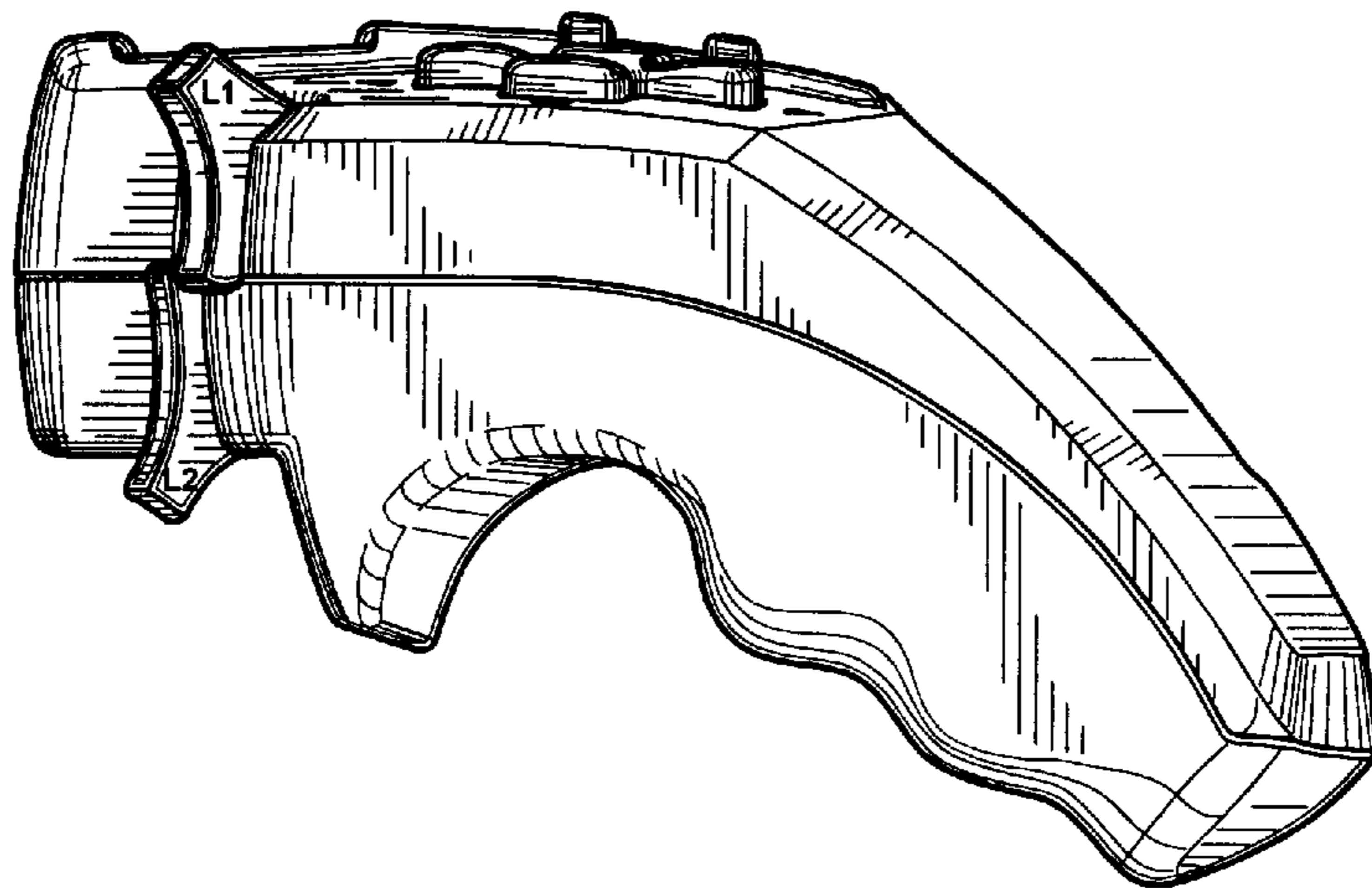


FIG. 4

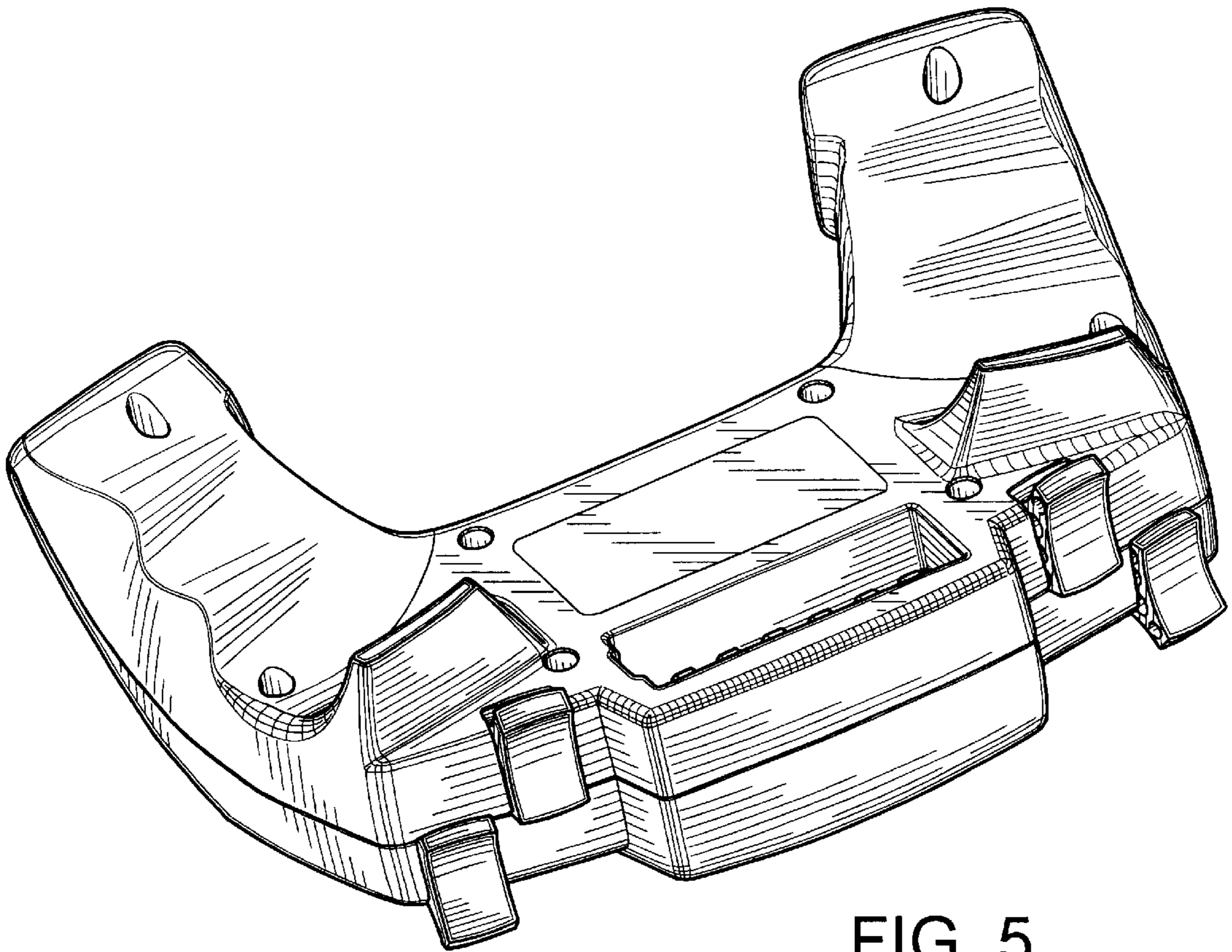


FIG. 5

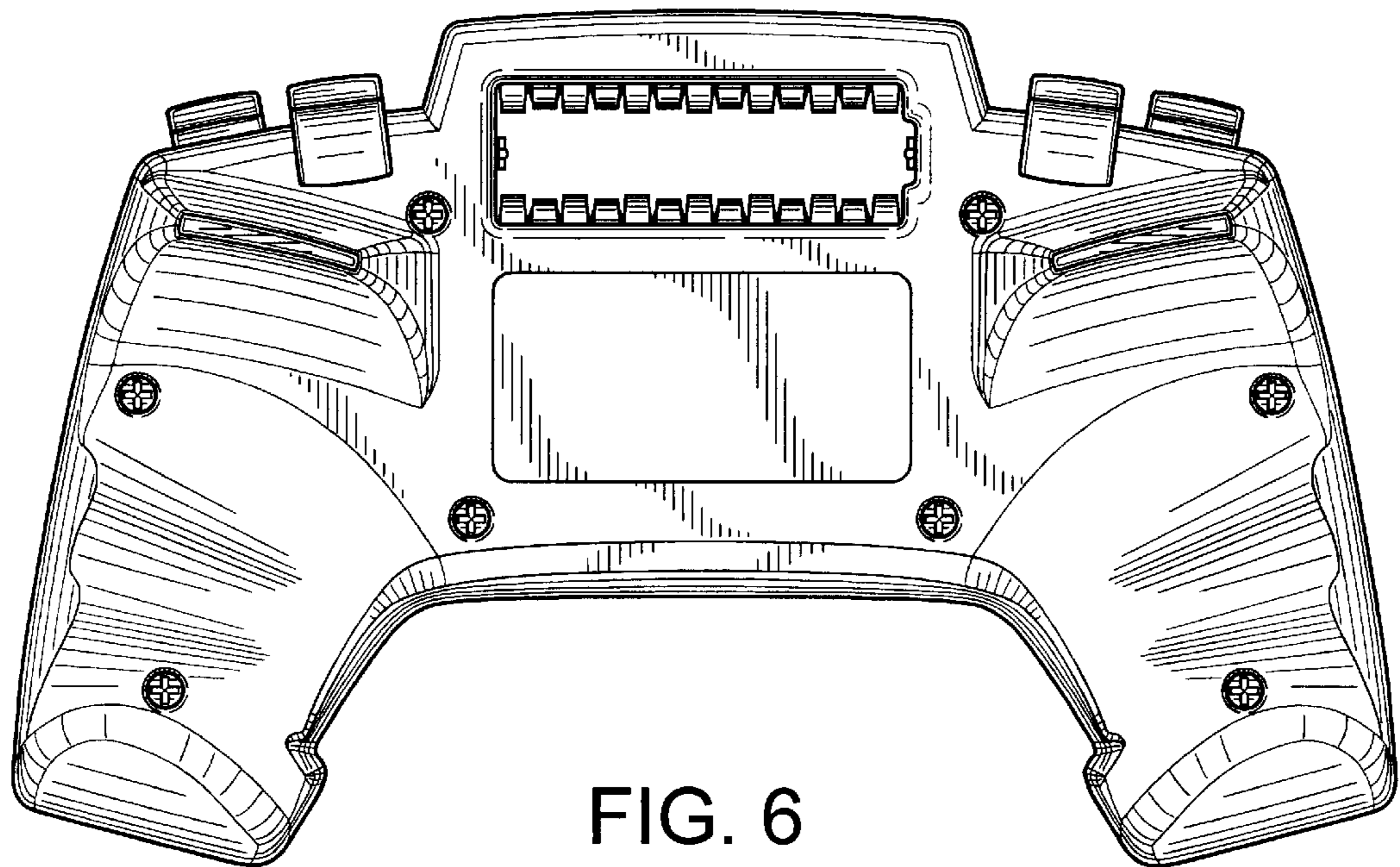


FIG. 6

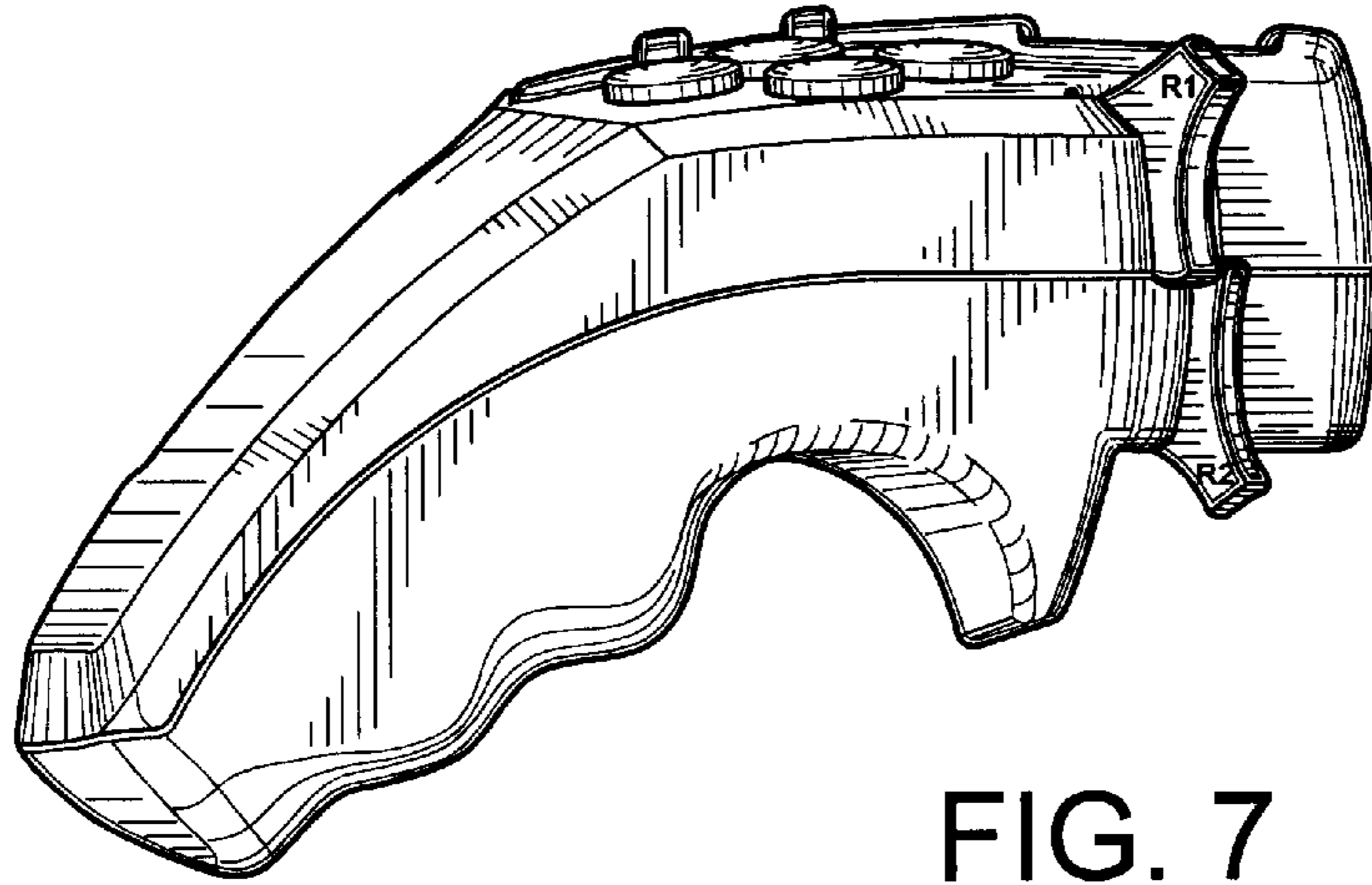


FIG. 7

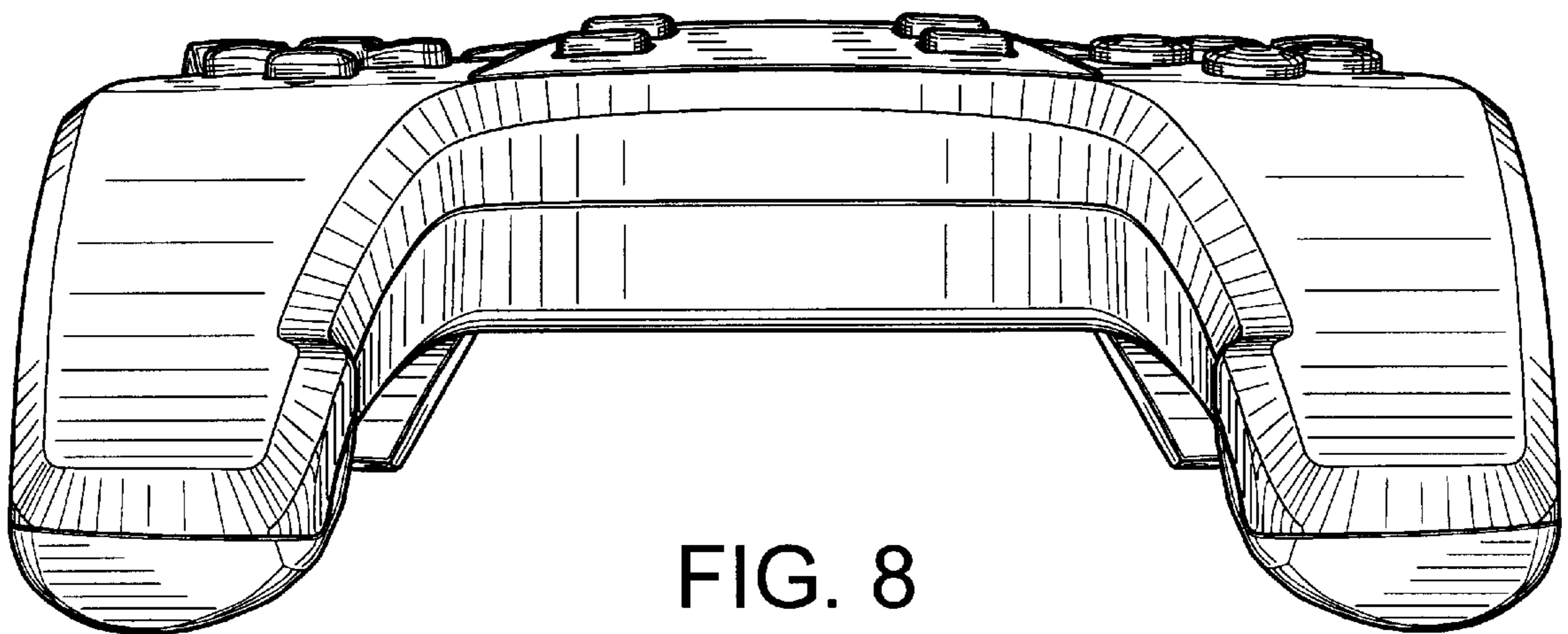


FIG. 8