



US00D450701B1

(12) **United States Design Patent**  
**Koeller**

(10) **Patent No.:** **US D450,701 S**

(45) **Date of Patent:** **\*\* Nov. 20, 2001**

(54) **COMPUTER MOUSE**

(76) **Inventor:** **David M. Koeller**, 1160 Wesley, Oak Park, IL (US) 60304

(\*\*) **Term:** **14 Years**

(21) **Appl. No.:** **29/130,517**

(22) **Filed:** **Oct. 3, 2000**

(51) **LOC (7) Cl.** ..... **14-02**

(52) **U.S. Cl.** ..... **D14/403**

(58) **Field of Search** ..... D14/402-411;  
D13/158; D21/204, 205; 178/18-19; 200/5 R,  
5 A, 6 R, 6 A; 213/148 B; 273/148 B,  
438; 345/156-167; 74/471 XY

(56) **References Cited**

**U.S. PATENT DOCUMENTS**

D. 343,392	1/1994	Harden et al.	.....	D14/114
D. 359,037	6/1995	Siano, Jr.	.....	D14/114
D. 359,278	6/1995	Morrison et al.	.....	D14/114
D. 370,219	5/1996	Blumer et al.	.....	D14/100
D. 374,219	10/1996	Allana et al.	.....	D14/114
D. 375,484	11/1996	Leifer	.....	D14/114
D. 377,933	2/1997	Harrison et al.	.....	D14/114
D. 378,516 *	3/1997	Smith et al.	.....	D14/403
D. 380,210	6/1997	Allana et al.	.....	D14/114
D. 387,338	12/1997	Leifer	.....	D14/114

D. 400,194	10/1998	Leifer	.....	D14/114
D. 400,518	11/1998	Cullen	.....	D14/114
D. 413,113	8/1999	Nebel	.....	D14/117.3
D. 421,253	2/2000	Blank	.....	D14/117.3
D. 426,546	6/2000	Diee	.....	D14/403
D. 427,599	7/2000	Smith et al.	.....	D14/403
D. 428,416	7/2000	Smith et al.	.....	D14/403
5,245,146	9/1993	Florence	.....	200/333
5,680,157	10/1997	Bidville et al.	.....	345/165
5,692,956	12/1997	Rifkin	.....	463/37
5,851,623	12/1998	Tarulli et al.	.....	428/68
6,040,539	3/2000	Hiegel	.....	200/302.1

\* cited by examiner

*Primary Examiner*—Kay H. Chin

(74) *Attorney, Agent, or Firm*—Patents+TMS, P.C.

(57) **CLAIM**

The ornamental design for a computer mouse, as shown.

**DESCRIPTION**

FIG. 1 is top plan view of the computer mouse;  
FIG. 2 is a bottom plan view thereof;  
FIG. 3 is a left side plan view thereof;  
FIG. 4 is a right side plan view thereof;  
FIG. 5 is a front plan view thereof; and,  
FIG. 6 is a back plan view thereof.

**1 Claim, 1 Drawing Sheet**

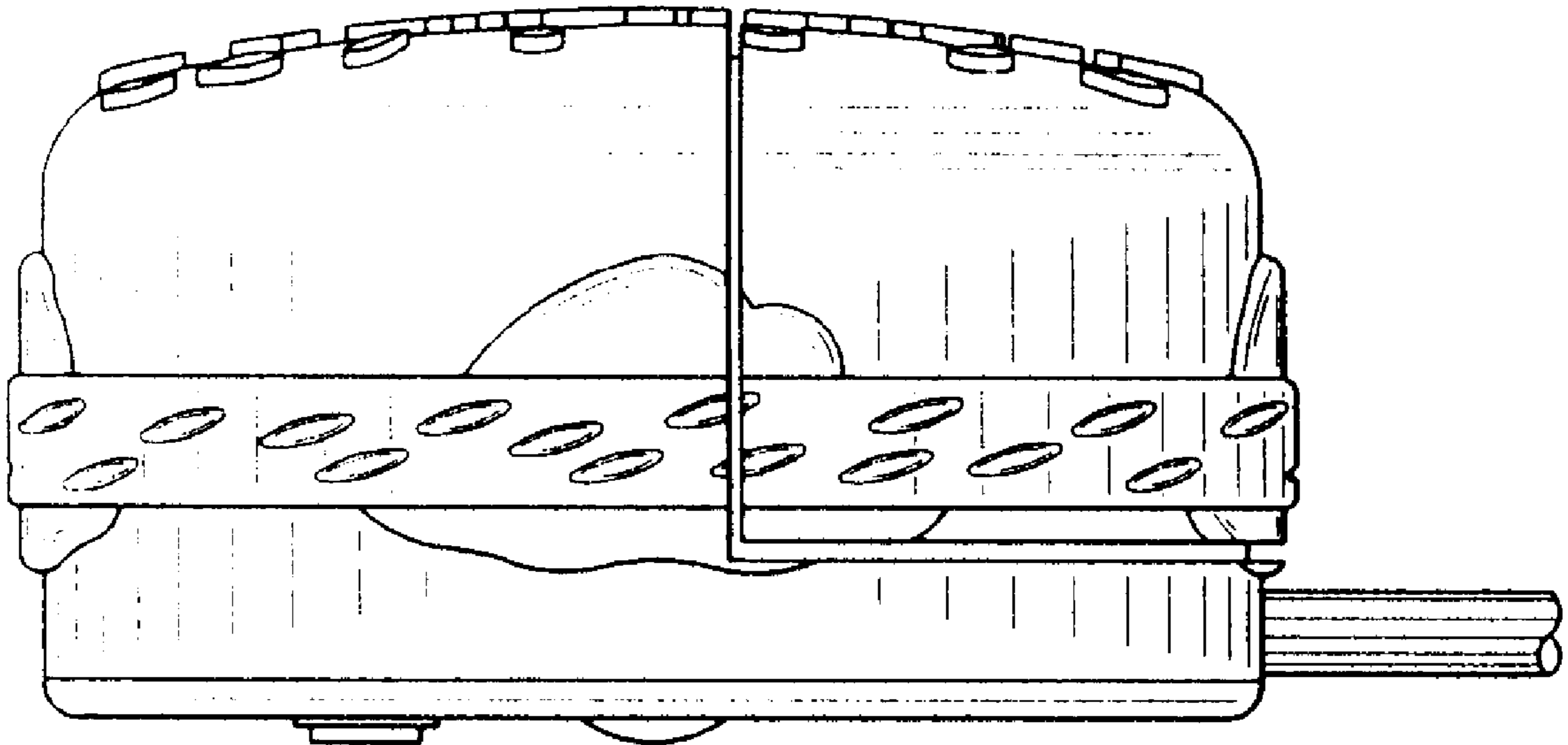


FIG.1

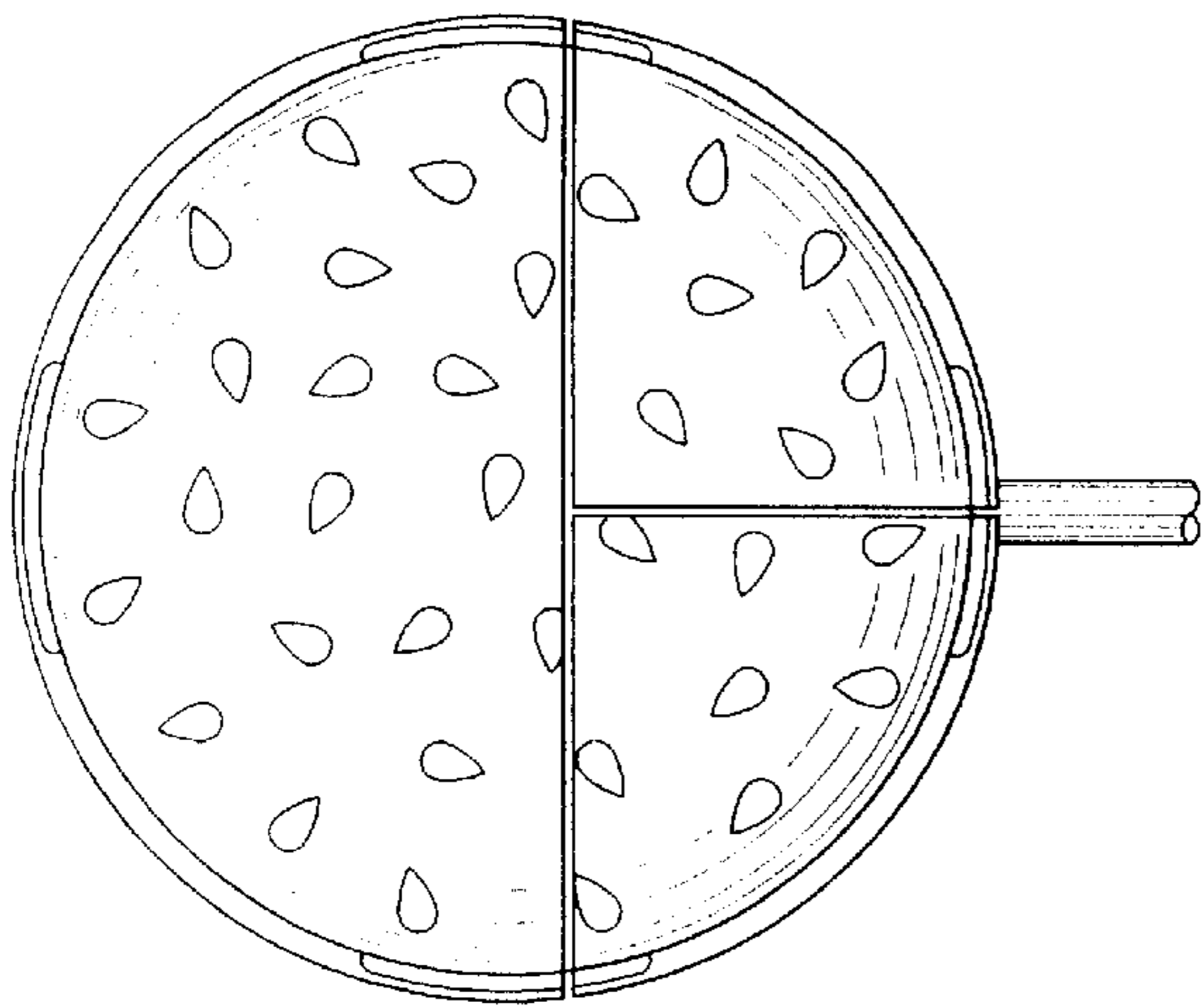


FIG.2

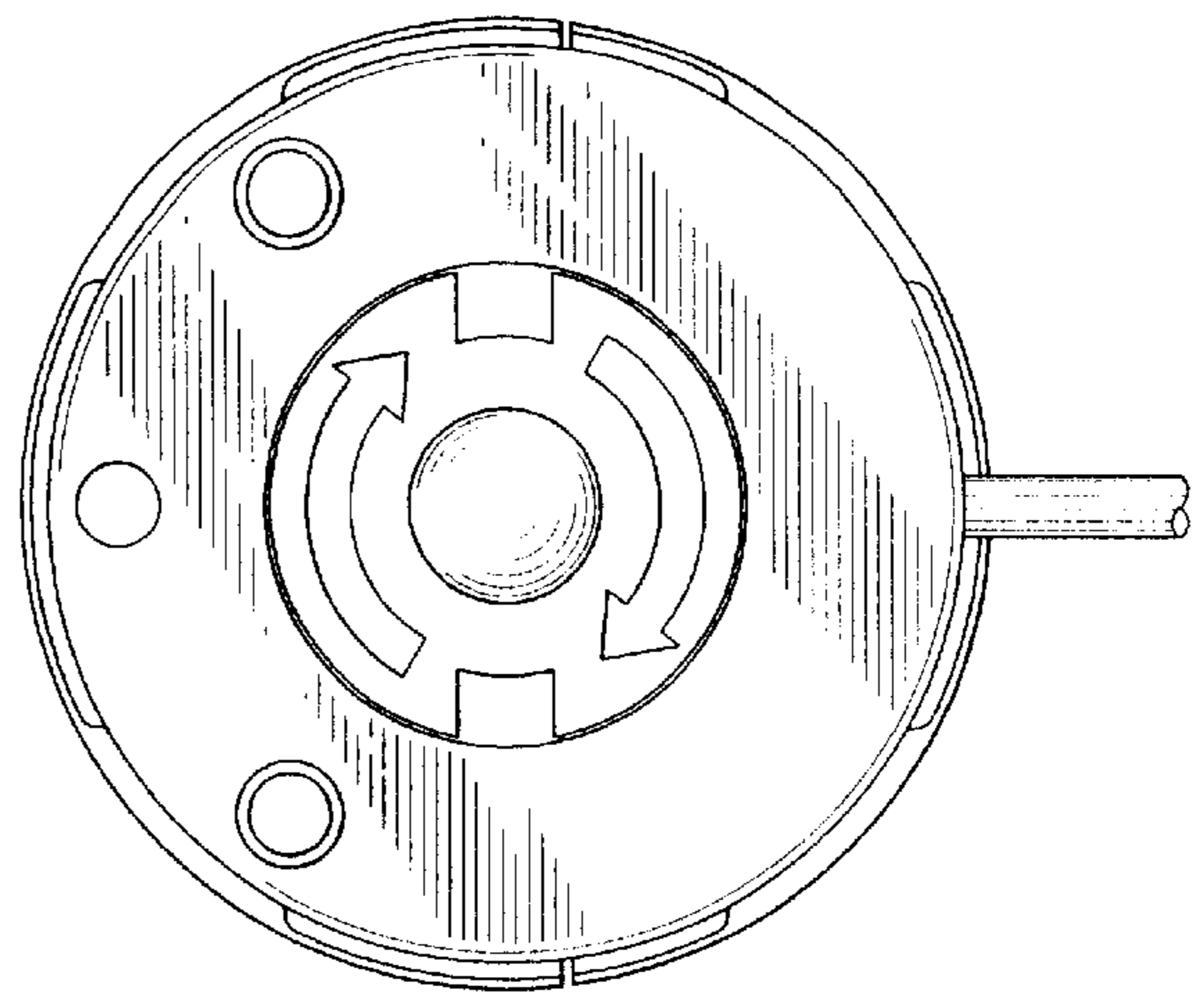


FIG.3

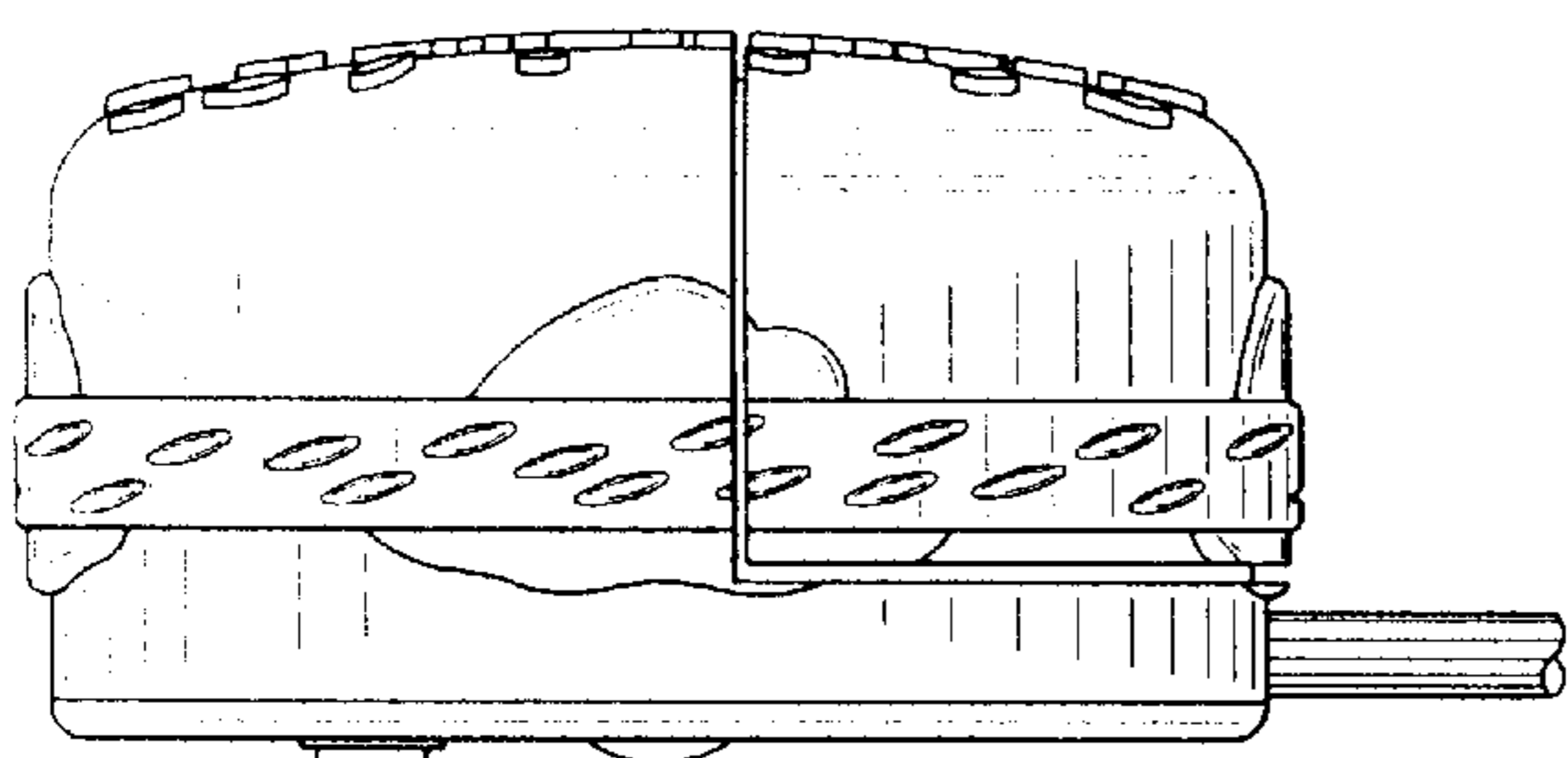


FIG.4

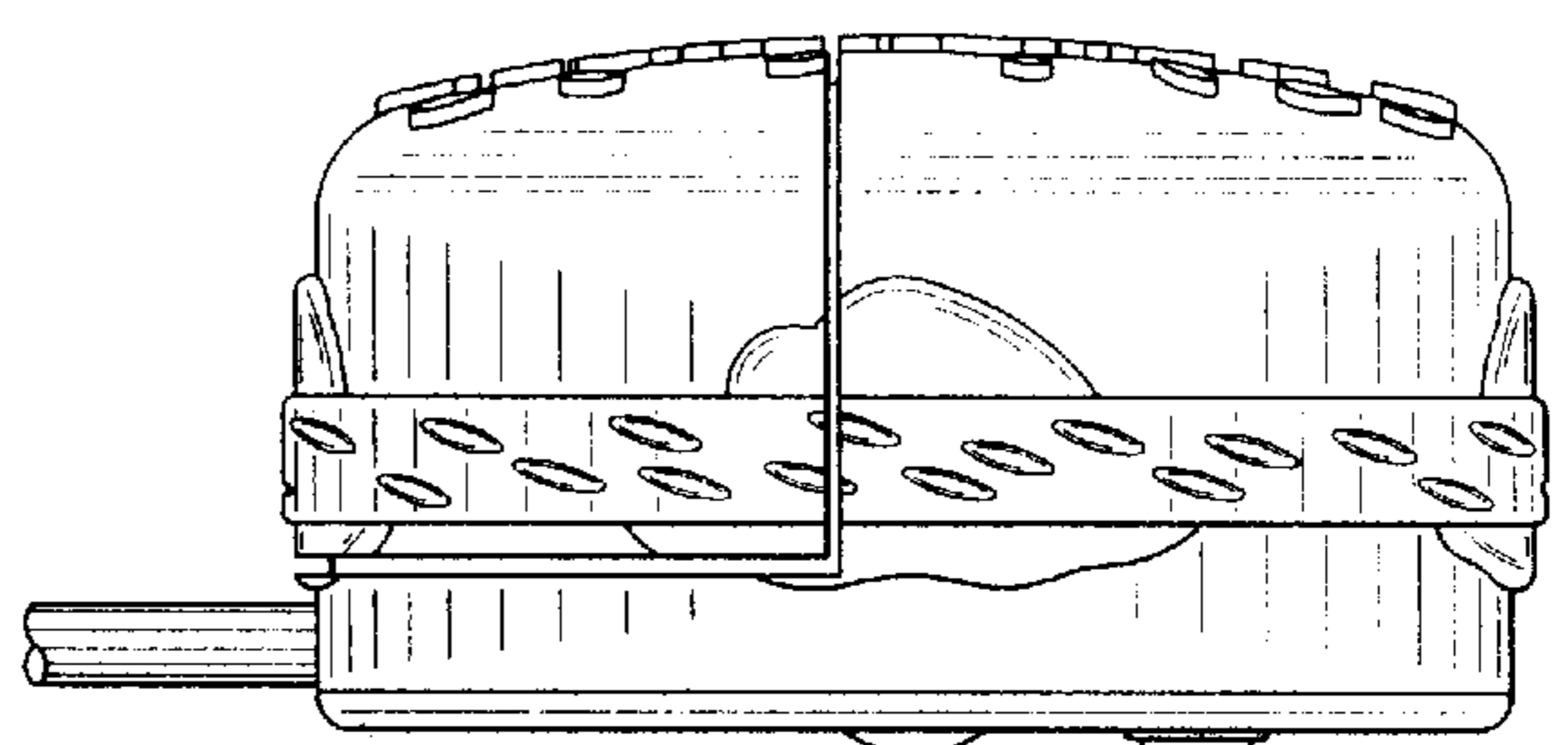


FIG.5

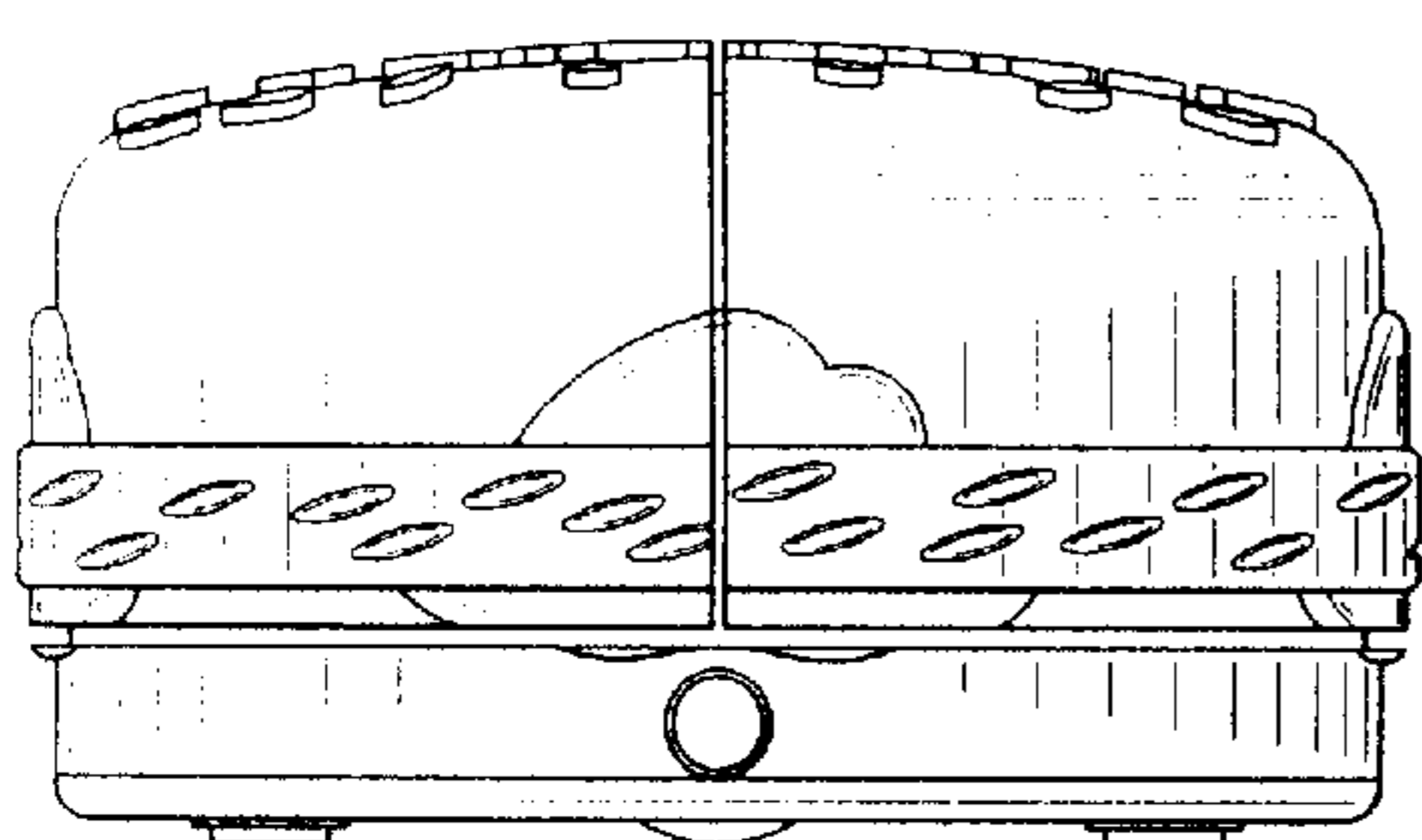


FIG.6

