



US00D450692B1

(12) **United States Design Patent**  
**Hakoda**

(10) **Patent No.:** **US D450,692 S**

(45) **Date of Patent:** **\*\* Nov. 20, 2001**

(54) **DISC PLAYER**

D. 411,996 \* 7/1999 Yamazaki ..... D14/156  
D. 427,987 7/2000 Tanaka et al. .

(75) Inventor: **Katsuhisa Hakoda**, Tokyo (JP)

**OTHER PUBLICATIONS**

(73) Assignee: **Sony Corporation**, Tokyo (JP)

Catalog "96", 3 sheets, Nov. 2000, Sony Corporation.

(\*\*) Term: **14 Years**

\* cited by examiner

(21) Appl. No.: **29/138,071**

*Primary Examiner*—Nanada Bondade

(22) Filed: **Mar. 7, 2001**

(74) *Attorney, Agent, or Firm*—Rader, Fishman & Grauer, PLLC

(51) **LOC (7) Cl.** ..... **14-99**

(57) **CLAIM**

(52) **U.S. Cl.** ..... **D14/257; D14/156**

The ornamental design for a disc player, as shown and described.

(58) **Field of Search** ..... D14/135-136,  
D14/156-157, 160, 162, 164, 168, 188,  
197-198, 257-258, 265; 369/75.1, 75.2,  
77.1, 77.2; 455/344, 347, 350-351

**DESCRIPTION**

(56) **References Cited**

FIG. 1 is a perspective view of a disc player showing my new design; and,

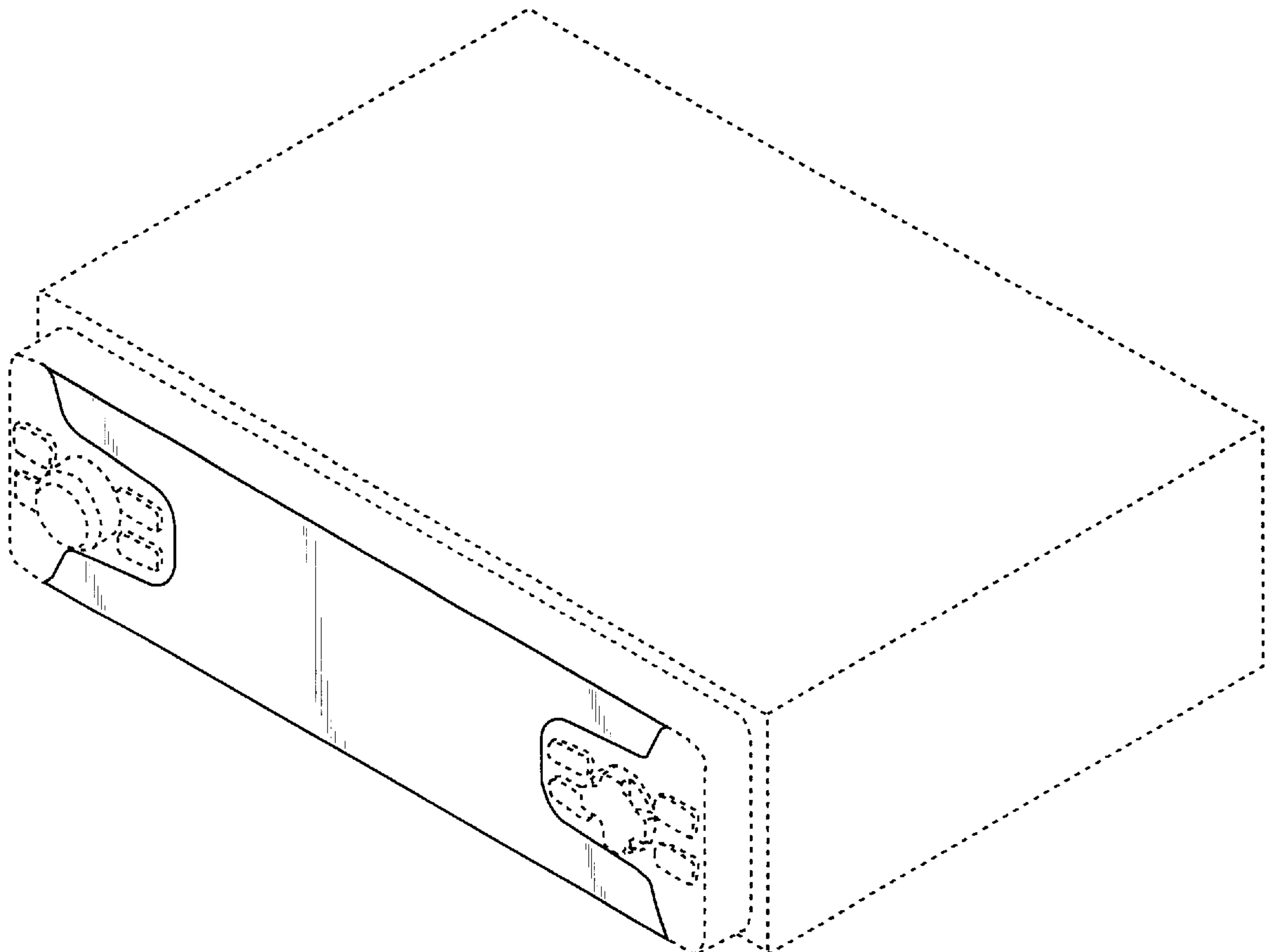
FIG. 2 is a front elevational view thereof.

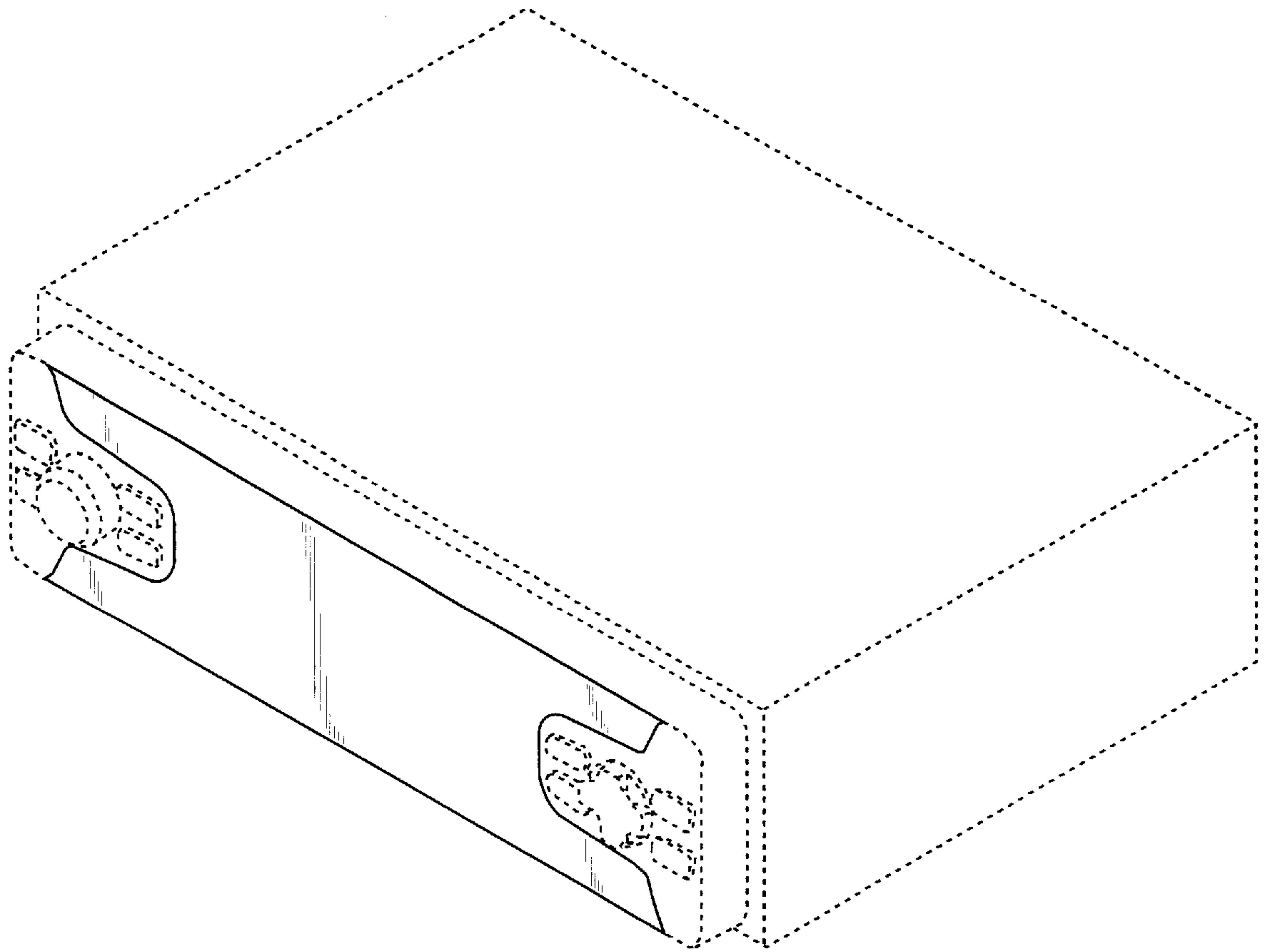
Portions in broken lines are for illustrative purposes only and form no part of the claimed design.

**U.S. PATENT DOCUMENTS**

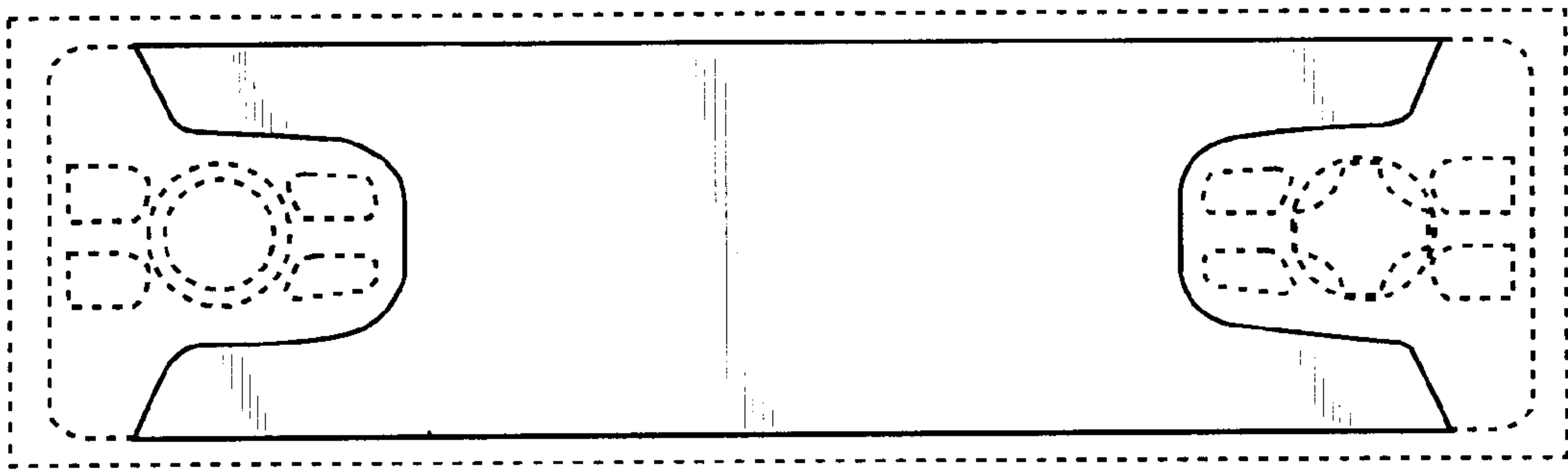
D. 304,194 \* 10/1989 Fuller et al. .... D14/257  
D. 321,336 \* 11/1991 Hoese ..... D14/258  
D. 366,048 \* 1/1996 Tokiyama et al. .... D14/258

**1 Claim, 2 Drawing Sheets**





**Fig. 1**



**Fig. 2**