



US00D450684B1

(12) **United States Design Patent**
Morgan

(10) **Patent No.:** **US D450,684 S**

(45) **Date of Patent:** **** Nov. 20, 2001**

(54) **MICROPHONE FILTER**

(76) Inventor: **Parris Morgan**, 14505 Berry Rd.,
Accokeek, MD (US) 20607

(**) Term: **14 Years**

(21) Appl. No.: **29/132,734**

(22) Filed: **Nov. 15, 2000**

(51) **LOC (7) Cl.** **14-01**

(52) **U.S. Cl.** **D14/226; D14/217**

(58) **Field of Search** D6/512, 513; D8/363,
D8/373; D14/206, 225, 226; 181/158, 242;
242/317, 320, 323-324, 327, 337; 381/26,
91, 355, 359, 347, 352

(56) **References Cited**

U.S. PATENT DOCUMENTS

D. 303,353	*	9/1989	Enison	D8/373
D. 370,936	*	6/1996	Hofman et al.	D6/512 X
D. 396,862	*	8/1998	Morgan	D14/225
1,682,409	*	8/1928	Nyman	381/352
2,106,813	*	2/1938	Romanow	381/347
2,623,957	*	12/1952	Cragg et al.	181/242
4,212,219	*	7/1980	Hubbard	84/723

4,570,746 * 2/1986 Das et al. 181/242

4,768,614 * 9/1988 Case 181/148

4,975,966 * 12/1990 Sapiejewski 181/153 X

* cited by examiner

Primary Examiner—Nanda Bondade

(74) *Attorney, Agent, or Firm*—Robert N. Blackmon

(57) **CLAIM**

The ornamental design for a microphone filter, as shown and described.

DESCRIPTION

FIG. 1 is a perspective view of a microphone filter showing my new design;

FIG. 2 is a front elevational view thereof;

FIG. 3 is a right side elevational view; the left side elevational view is a mirror image thereof;

FIG. 4 is a rear elevational view thereof;

FIG. 5 is a top side elevational view; and,

FIG. 6 is a bottom view thereof.

The broken line showing of a side firing microphone is for illustrative purposes only and forms no part of the claimed design.

1 Claim, 3 Drawing Sheets

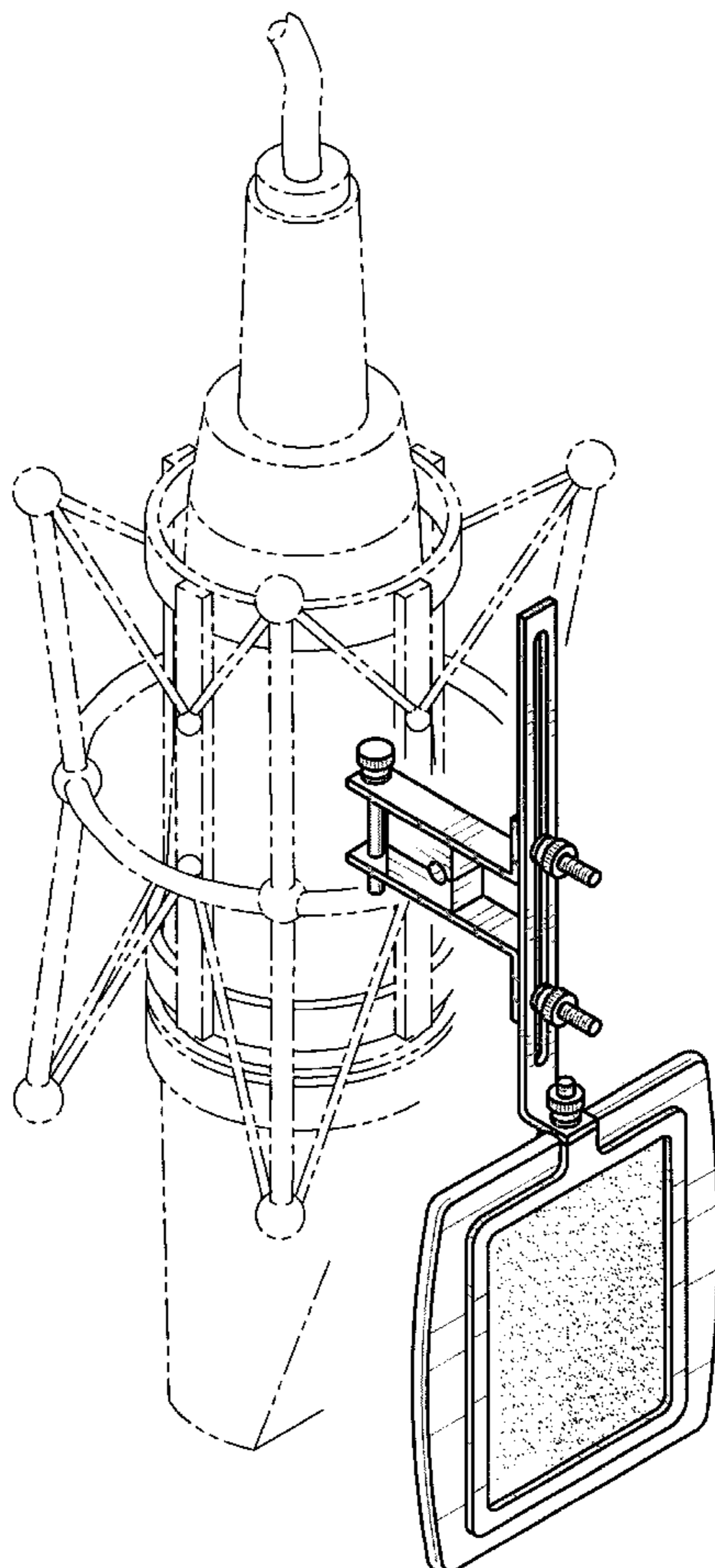
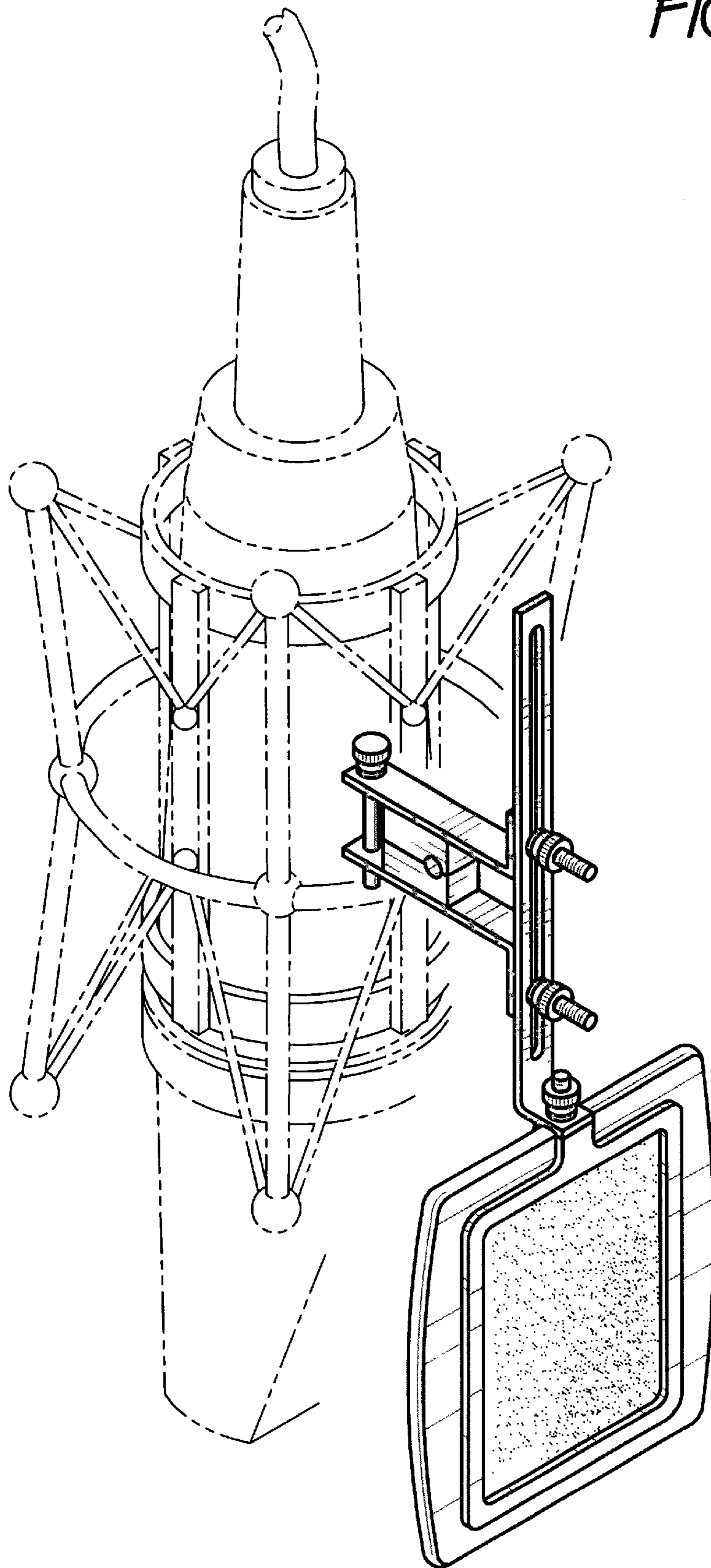


FIG. 1



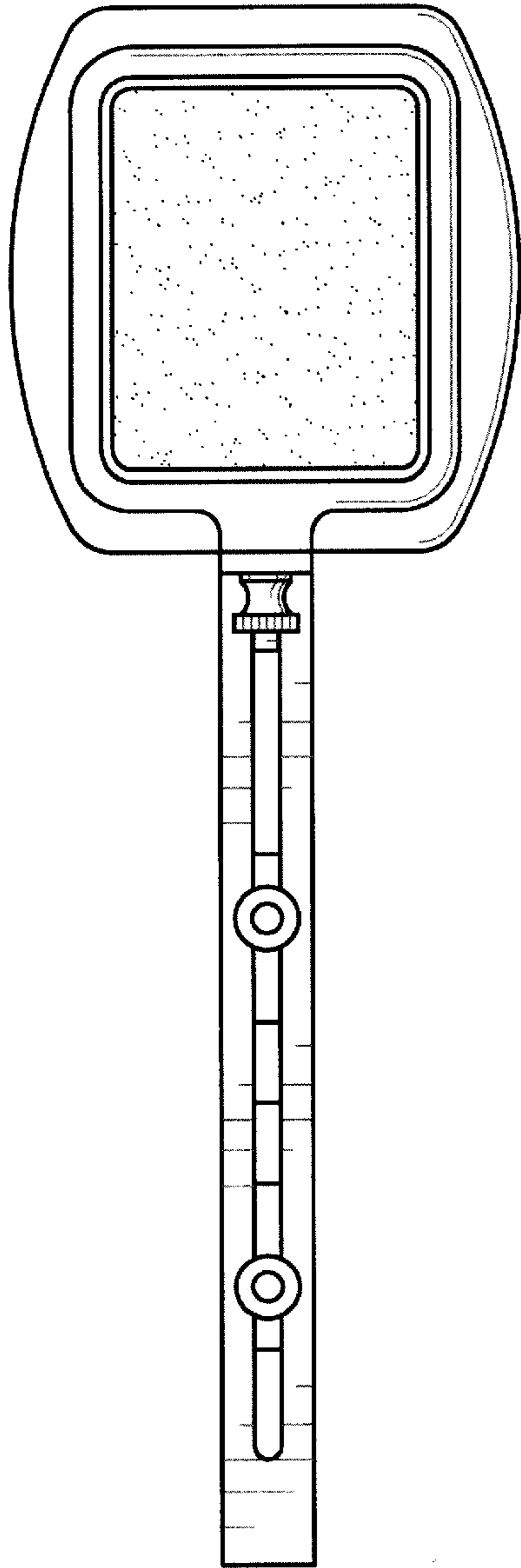


FIG. 2

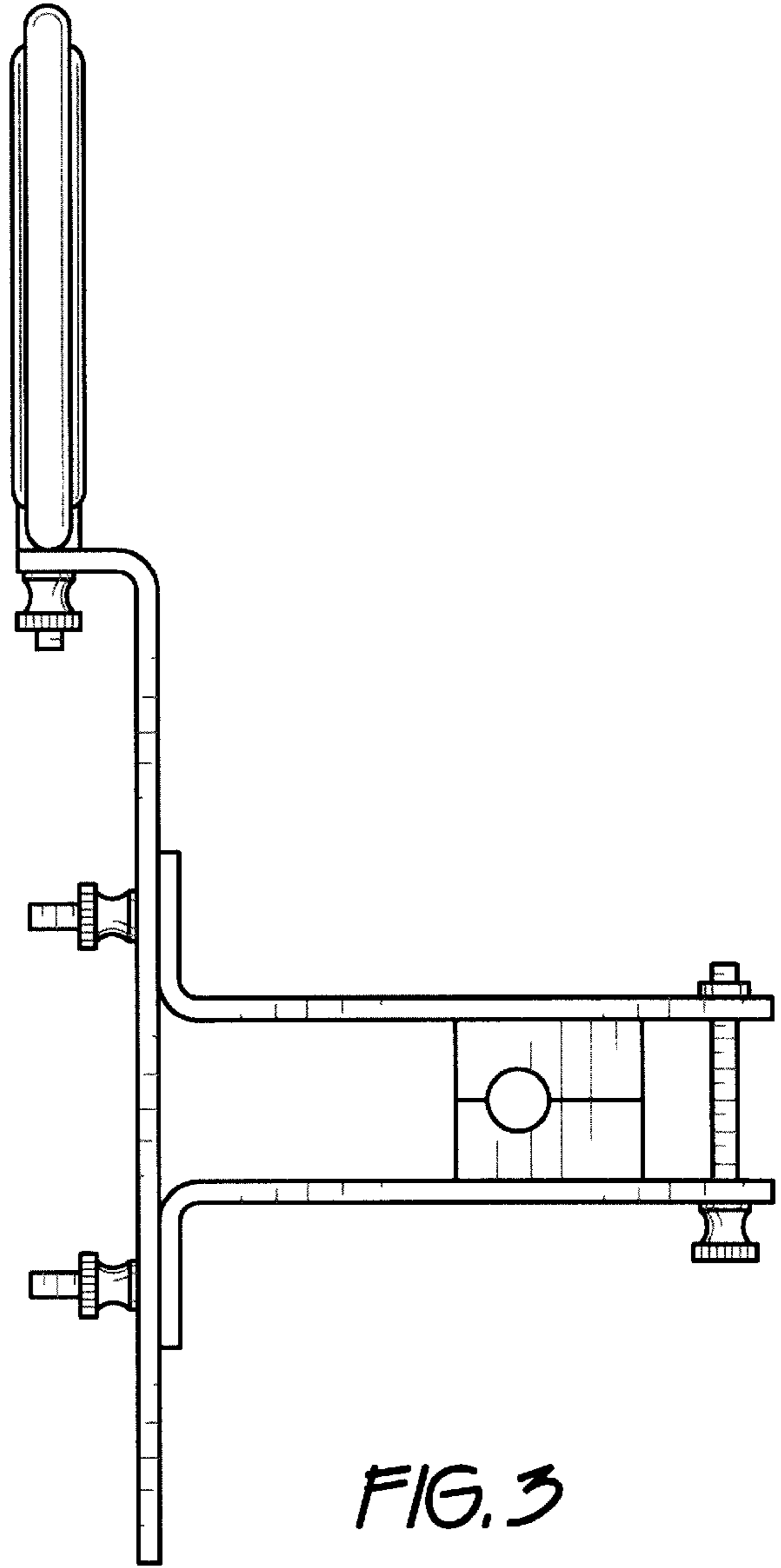


FIG. 3

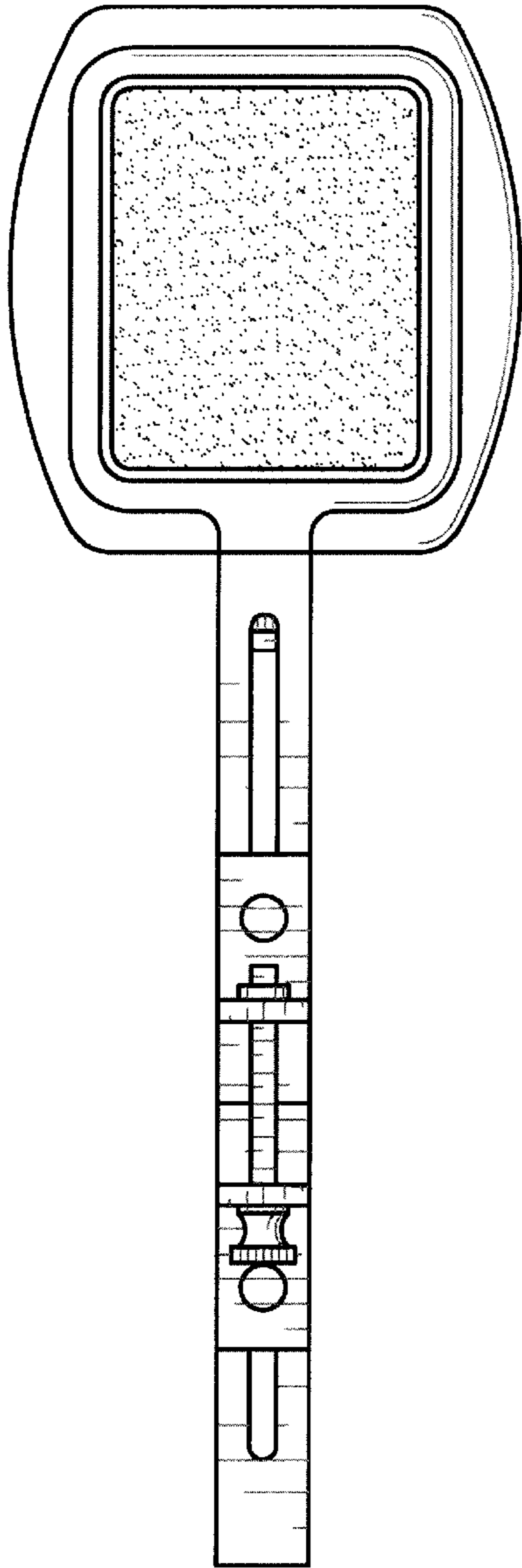


FIG. 4

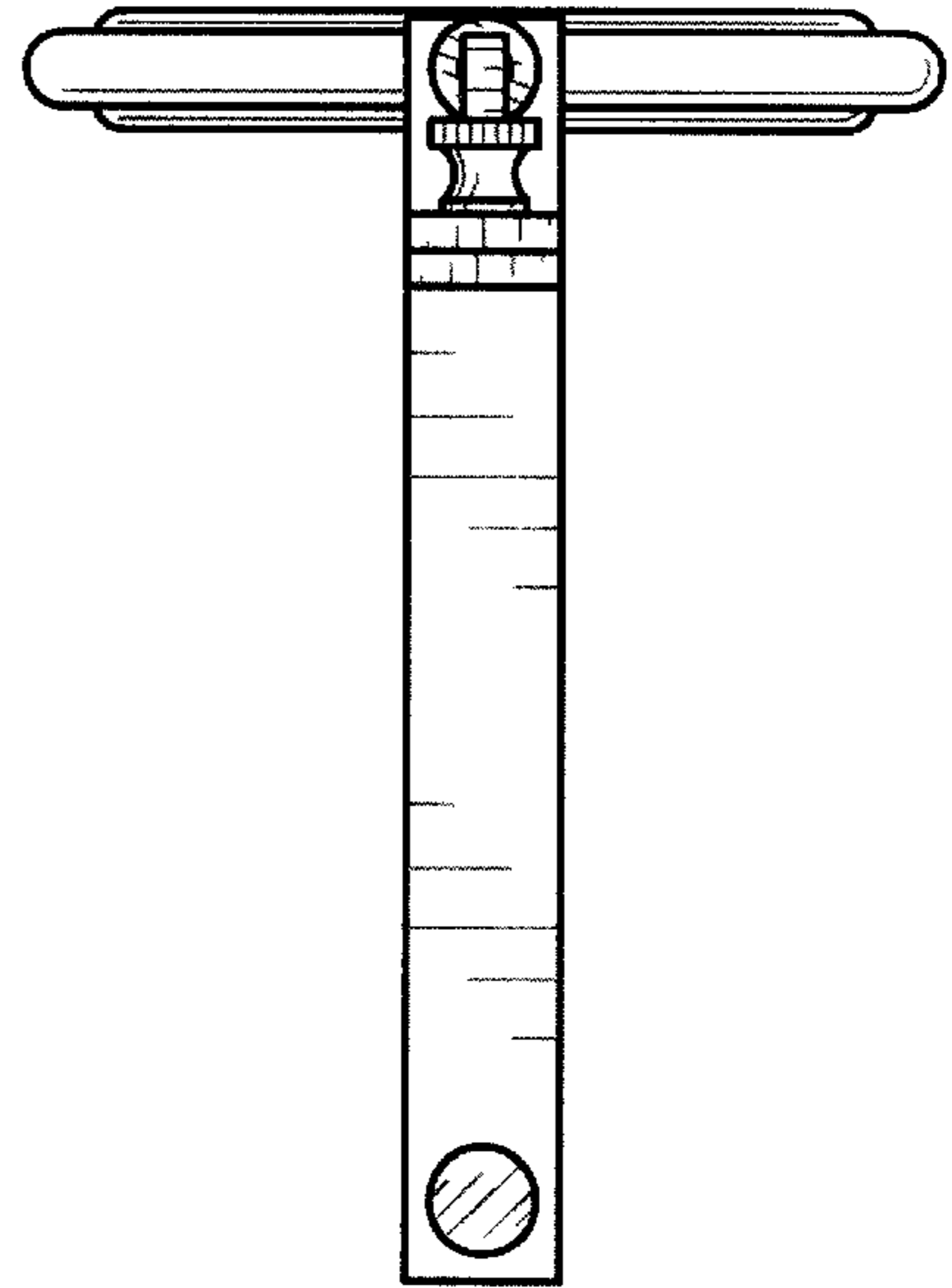


FIG. 5

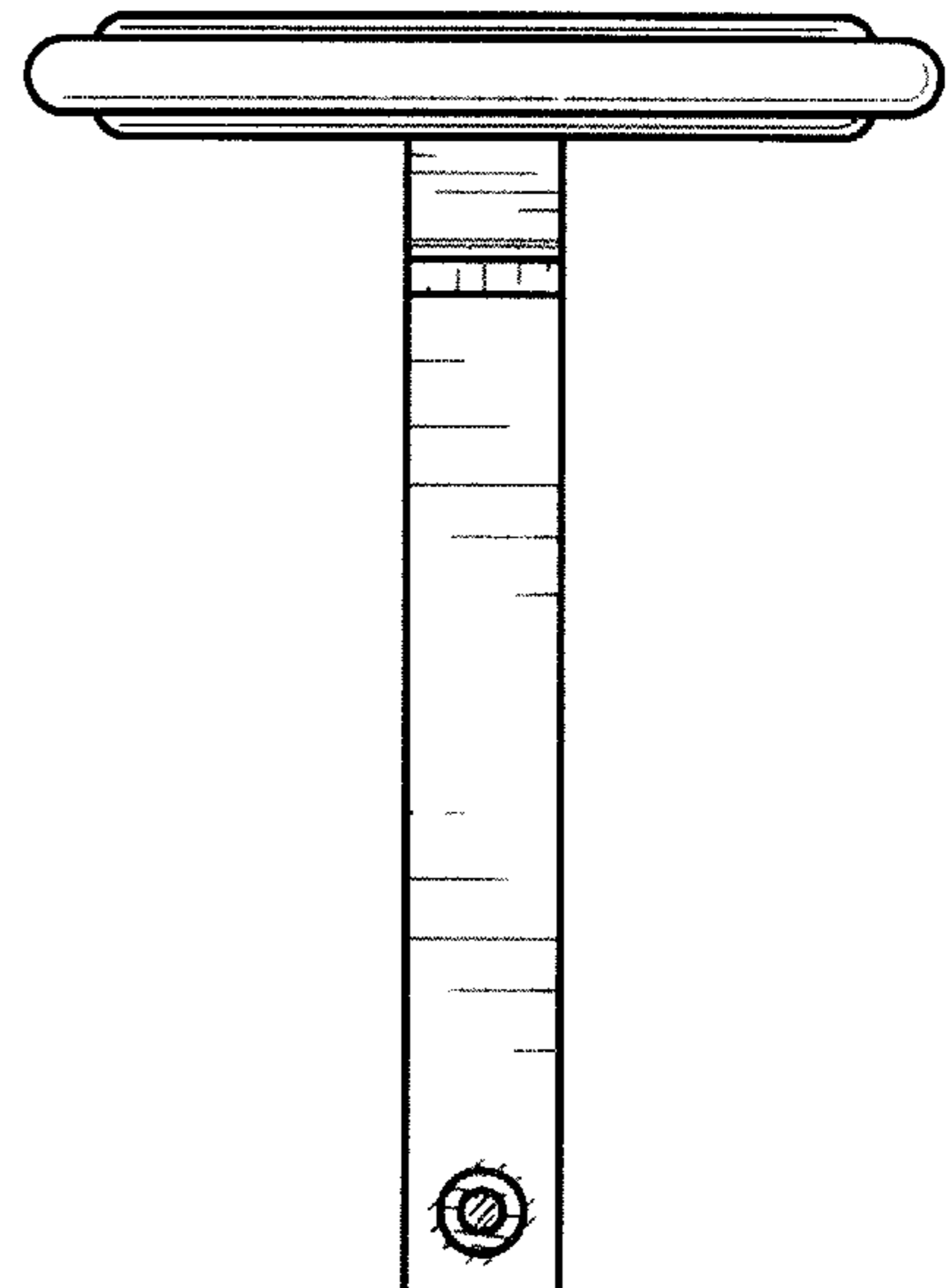


FIG. 6